



US00D810044S

(12) **United States Design Patent**  
**Ohmachi**

(10) **Patent No.:** **US D810,044 S**

(45) **Date of Patent:** **\*\* Feb. 13, 2018**

(54) **AUDIO AMPLIFIER**

(71) Applicant: **YAMAHA CORPORATION,**  
Hamamatsu-shi (JP)

(72) Inventor: **Takenori Ohmachi,** Hamamatsu (JP)

(73) Assignee: **YAMAHA CORPORATION,**  
Hamamatsu-shi (JP)

(\*\*) Term: **15 Years**

(21) Appl. No.: **29/555,088**

(22) Filed: **Feb. 18, 2016**

(51) **LOC (11) Cl.** ..... **14-03**

(52) **U.S. Cl.**  
USPC ..... **D14/188**

(58) **Field of Classification Search**  
USPC ..... D14/167, 168, 170–172, 188, 194–196,  
D14/204, 207, 209.1, 210–216, 219, 221,  
D14/222, 224, 239, 496; 181/143, 144,  
181/147, 148, 150, 153, 157, 198, 199;  
381/300–303, 306, 332, 333, 336, 345,  
381/361–364, 386–388; 369/6–12  
CPC ..... B60R 11/0217; G06F 1/1688; G10K 9/22;  
G10K 11/004; H03F 1/327; H04M 1/03;  
H04M 1/035; H04N 5/642; H04N  
21/4852; H04R 1/02; H04R 1/06; H04R  
1/021; H04R 1/025; H04R 1/026; H04R  
1/028; H04R 1/105; H04R 1/323; H04R  
1/403; H04R 1/2803; H04R 1/2834;  
H04R 5/02; H04R 7/20; H04R 9/06;  
H04R 9/025; H04R 2201/021; H04R  
2400/00; H04R 2201/07; H04R 2499/11;  
H04R 2499/13; H04R 2499/15; H04S  
3/00; H04S 7/30

See application file for complete search history.

(56) **References Cited**

**U.S. PATENT DOCUMENTS**

D259,565 S \* 6/1981 Watanabe ..... D14/197  
D451,090 S \* 11/2001 Hirano ..... D14/135

D501,659 S \* 2/2005 Yamaji ..... D14/188  
D519,101 S \* 4/2006 Alwicker ..... D14/188  
D568,865 S \* 5/2008 Wada ..... D14/168  
D656,124 S \* 3/2012 Smith ..... D14/204

(Continued)

**OTHER PUBLICATIONS**

“Wireless Hi-Fi”, Philips Fidelio Wireless Hi-Fi Range, Koninklijke Philips Electronics N.V., 2012, 15 total pages.  
Image of “Philips Fidelio Wireless Hi-Fi Receiver”.

*Primary Examiner* — Keli L Hill

(74) *Attorney, Agent, or Firm* — Sughrue Mion, PLLC

(57) **CLAIM**

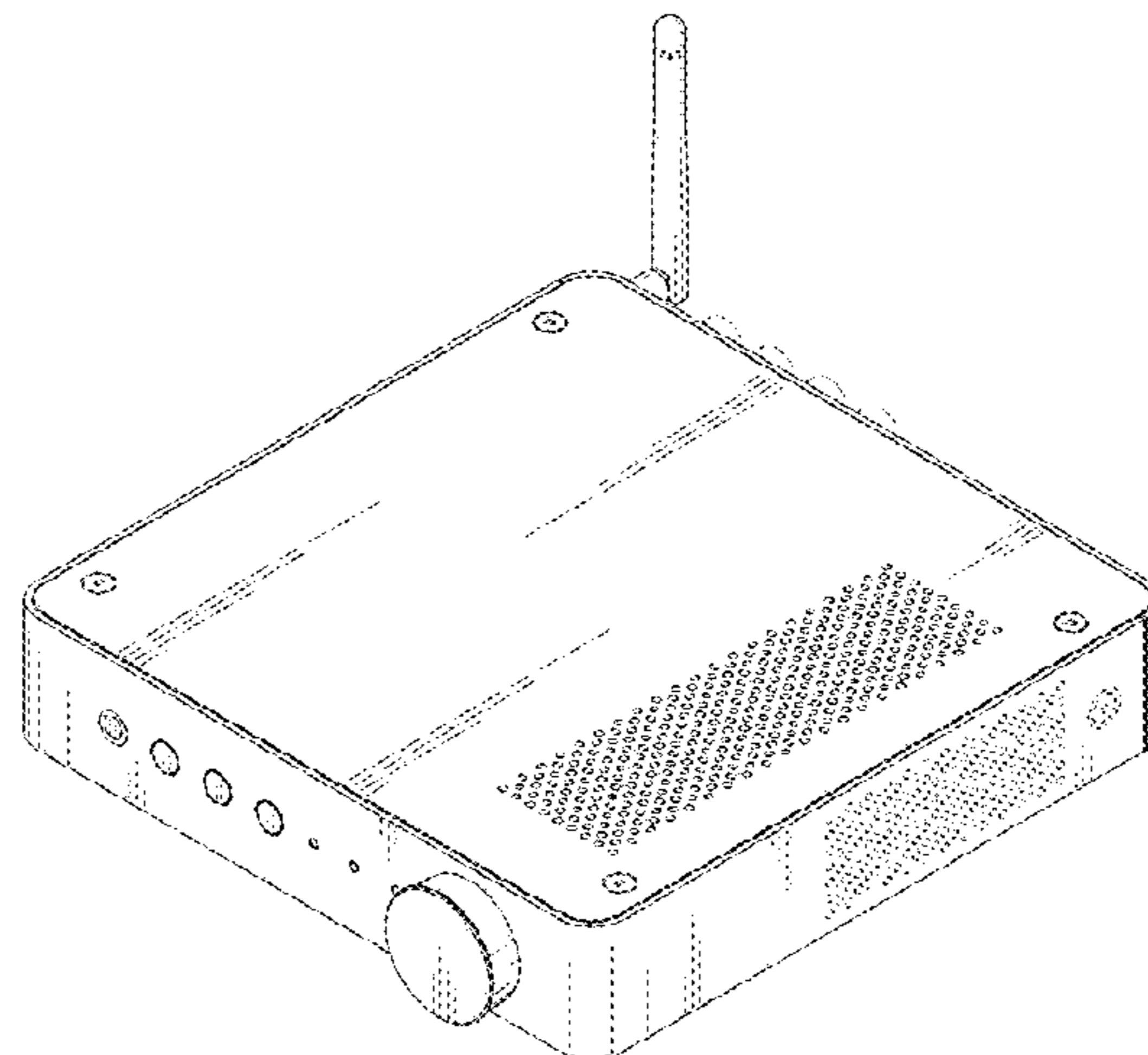
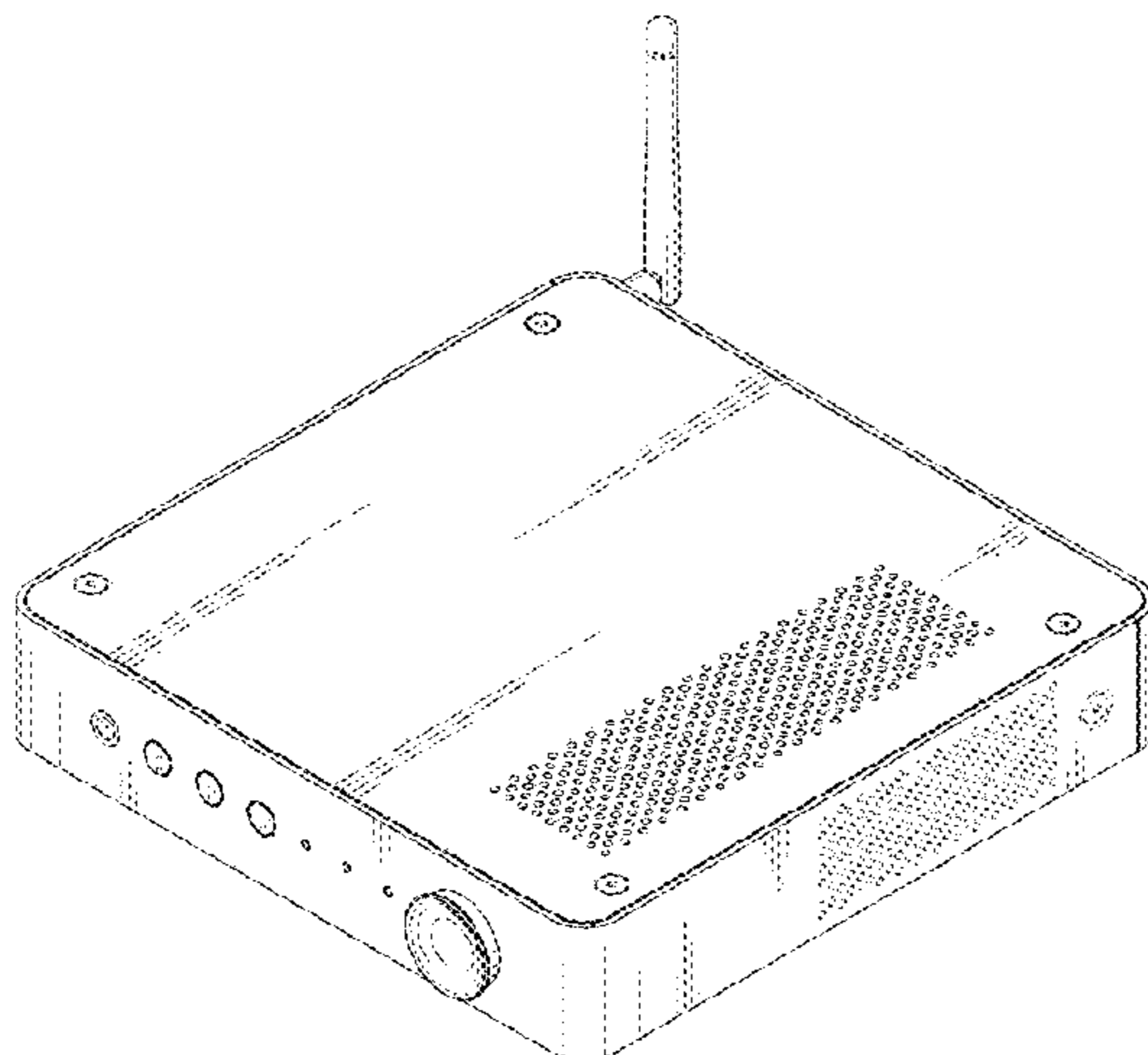
The ornamental design for an audio amplifier, as shown and described.

**DESCRIPTION**

FIG. 1 is a perspective view of the front, top and right side of an audio amplifier according to a first embodiment showing my new design;  
FIG. 2 is a front view thereof;  
FIG. 3 is a rear view thereof;  
FIG. 4 is a left side view thereof;  
FIG. 5 is a right side view thereof;  
FIG. 6 is a top plan view thereof;  
FIG. 7 is a bottom view thereof;  
FIG. 8 is a perspective view of the front, top and right side of an audio amplifier according to a second embodiment showing my new design;  
FIG. 9 is a front view thereof;  
FIG. 10 is a rear view thereof;  
FIG. 11 is a left side view thereof;  
FIG. 12 is a right side view thereof;  
FIG. 13 is a top plan view thereof; and,  
FIG. 14 is a bottom view thereof.

The broken line showing of the audio amplifier is included for the purpose of illustrating portions of the audio amplifier and forms no part of the claimed design.

**1 Claim, 14 Drawing Sheets**



(56)

**References Cited**

U.S. PATENT DOCUMENTS

D669,992 S	*	10/2012	Schafer .....	D24/170
D719,128 S	*	12/2014	Teulie .....	D14/188
D746,254 S	*	12/2015	Ito .....	D14/188
D754,096 S	*	4/2016	Teulie .....	D14/188

\* cited by examiner

Fig. 1

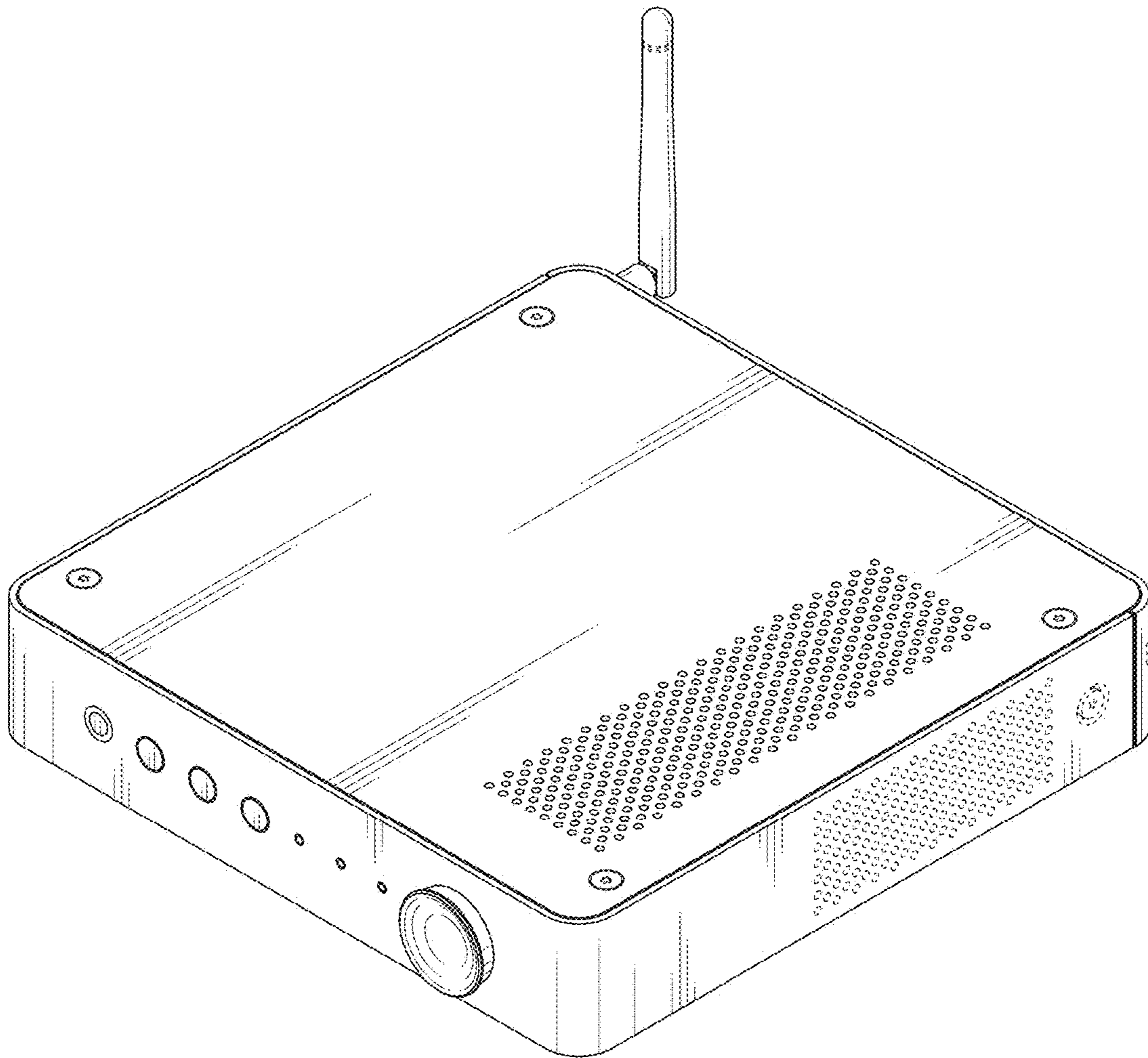


Fig. 2

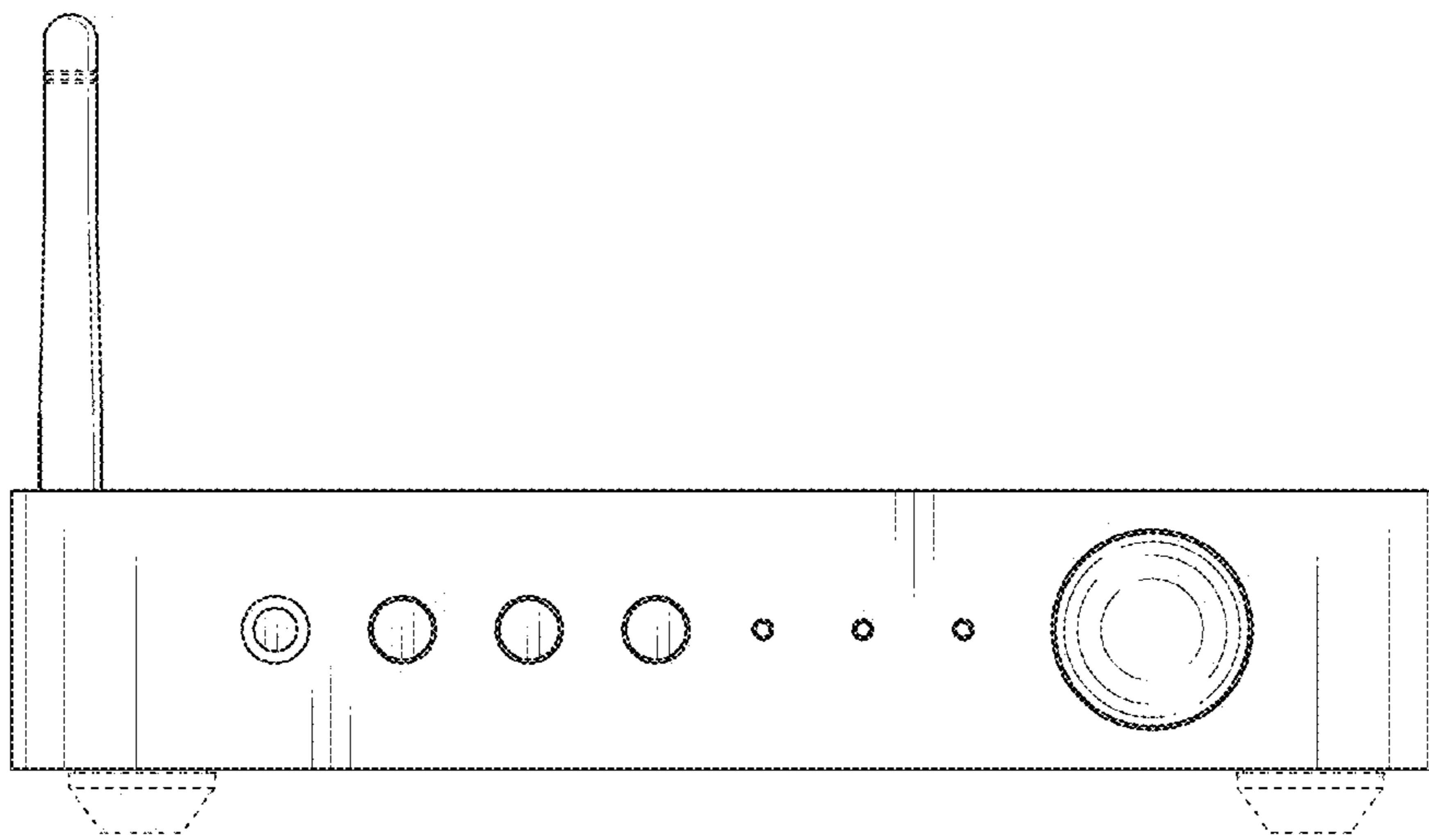


Fig. 3

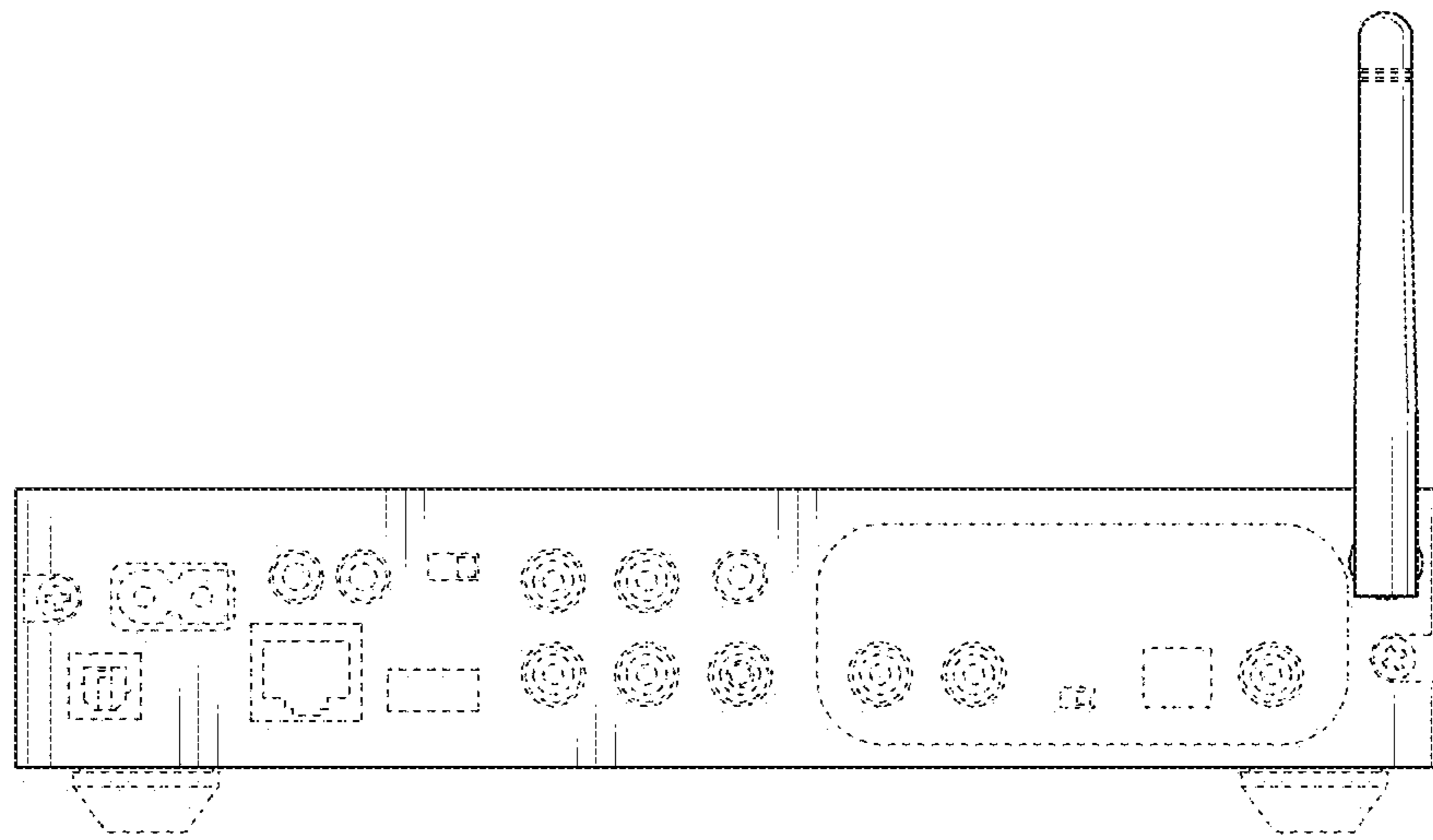


Fig. 4

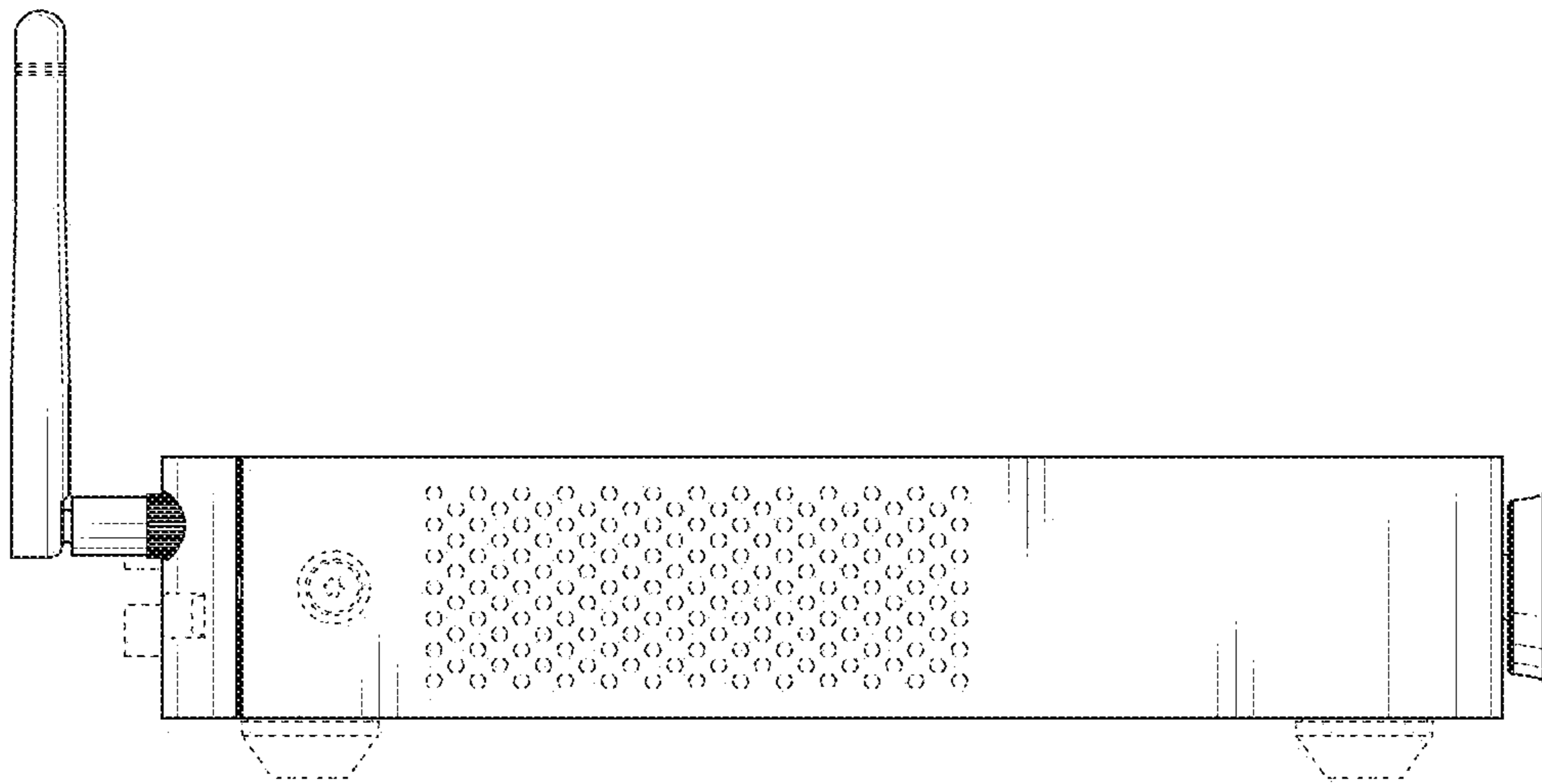


Fig. 5

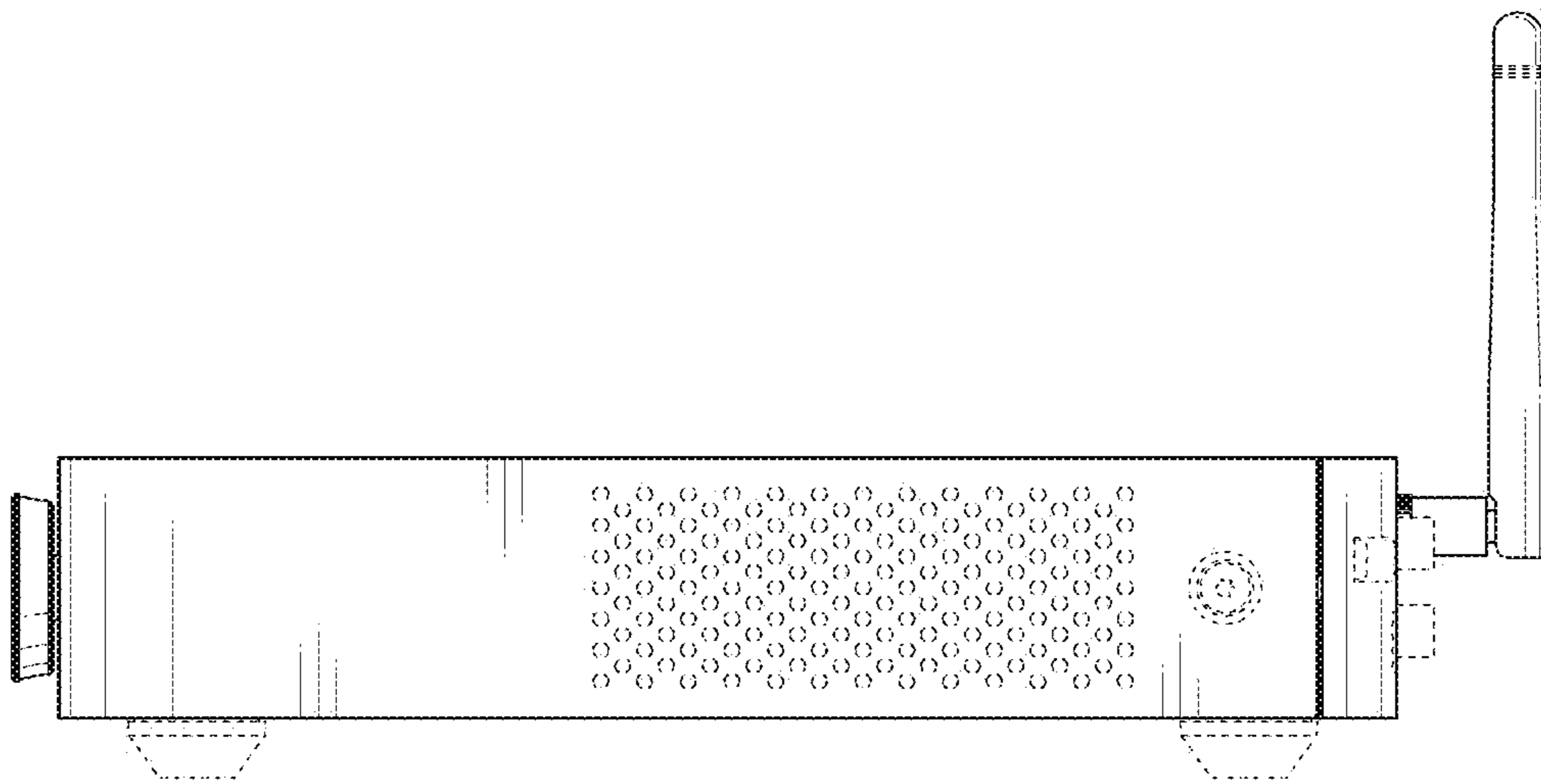


Fig. 6

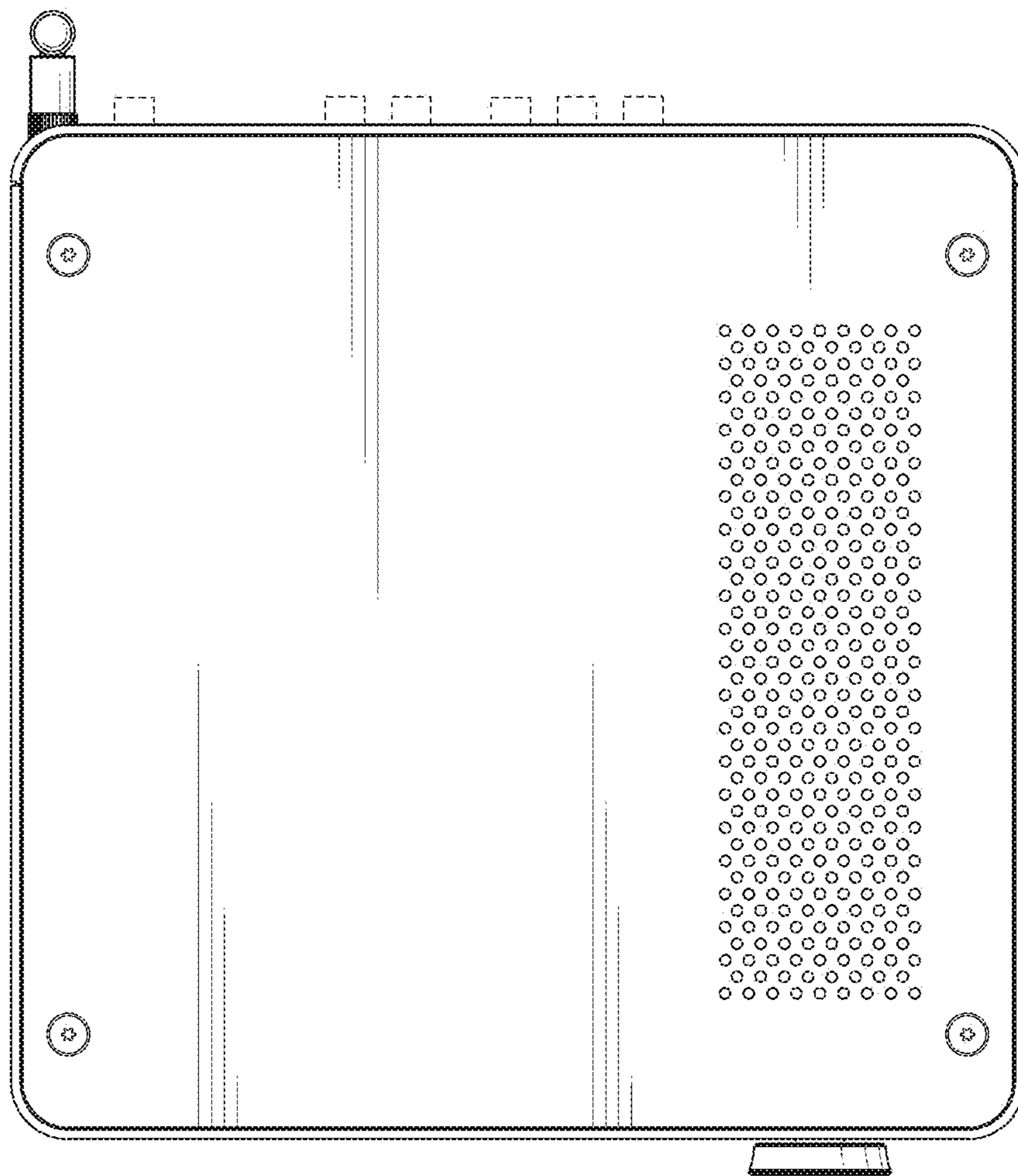




Fig. 7

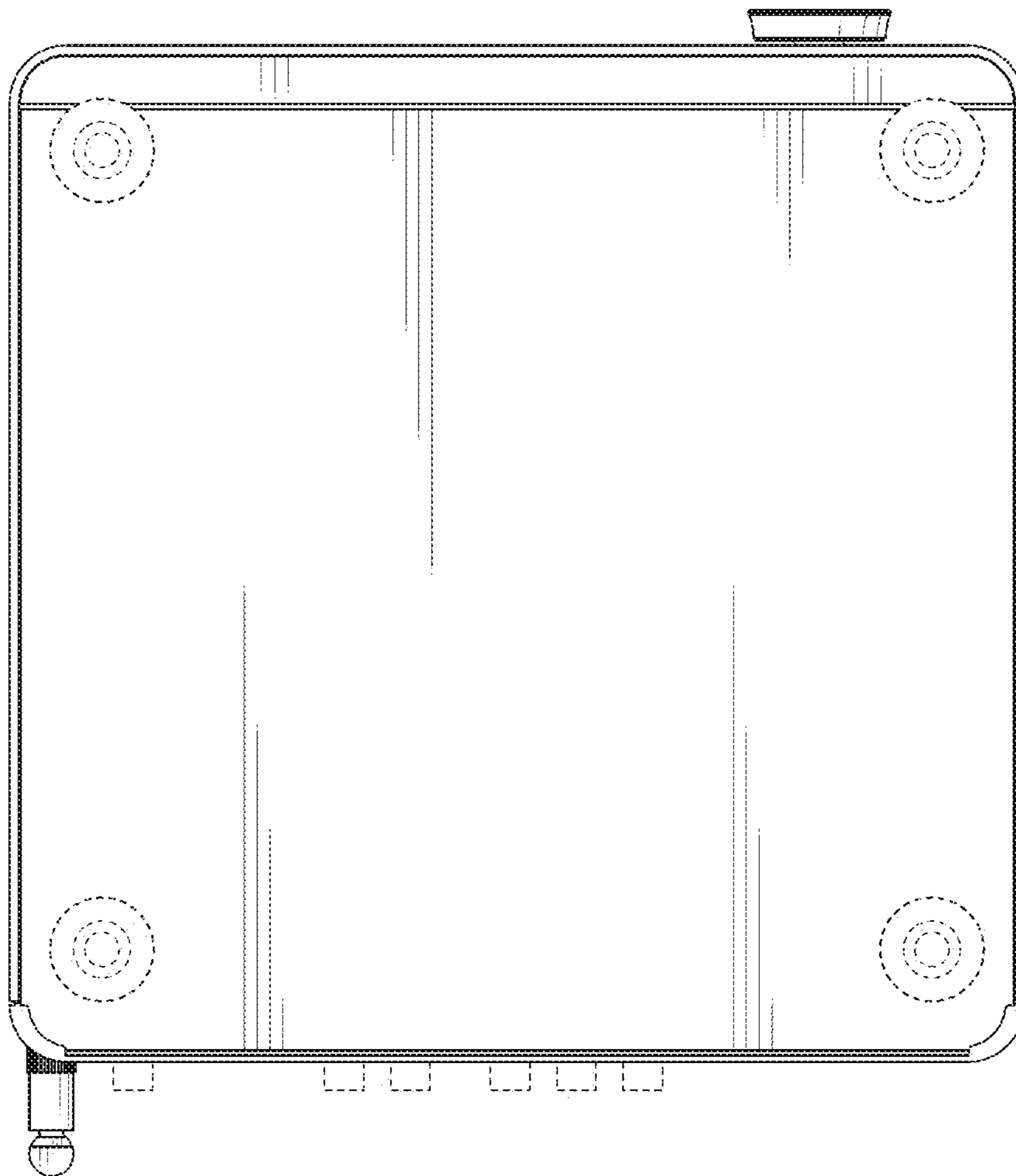


Fig. 8

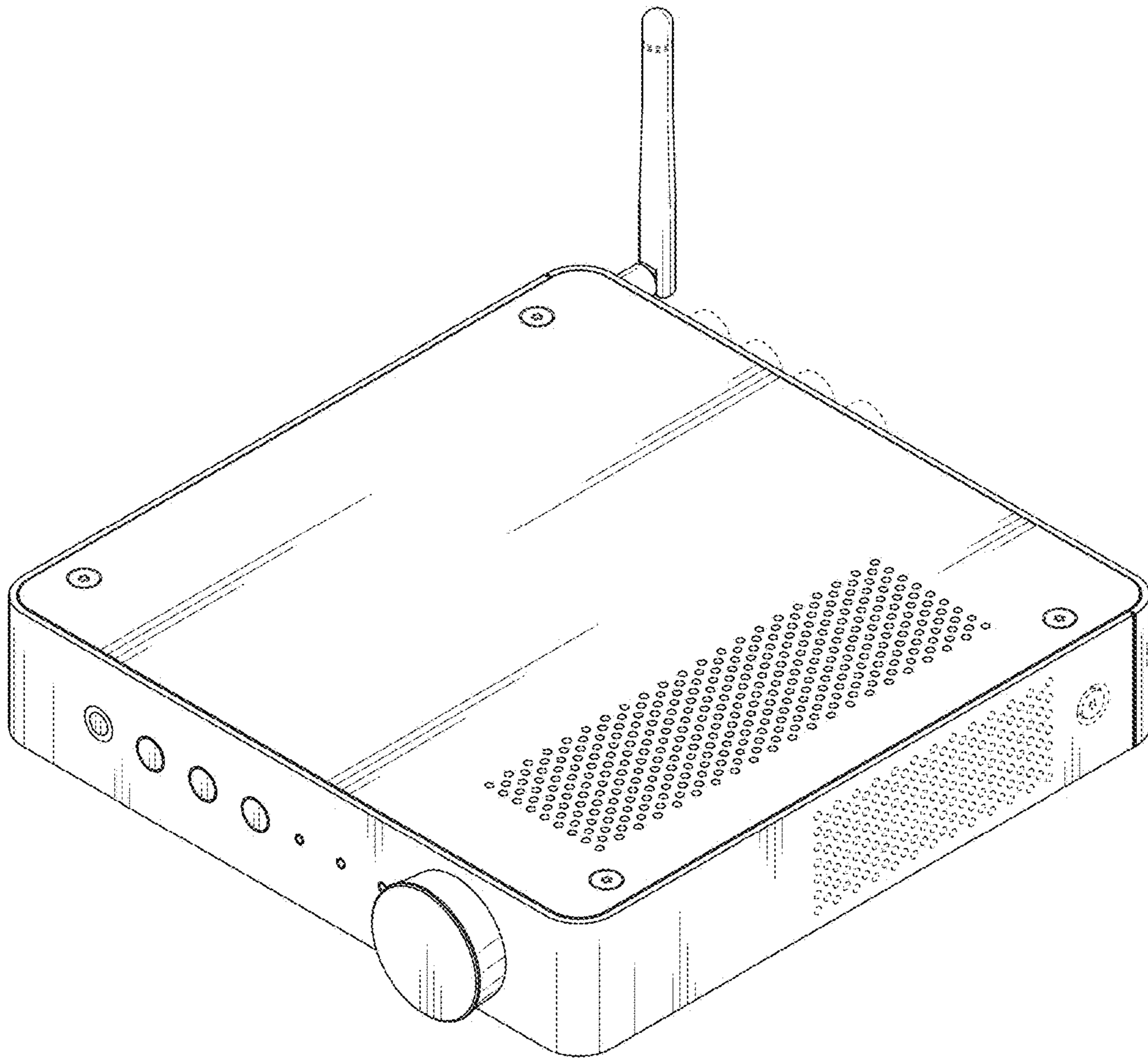


Fig. 9

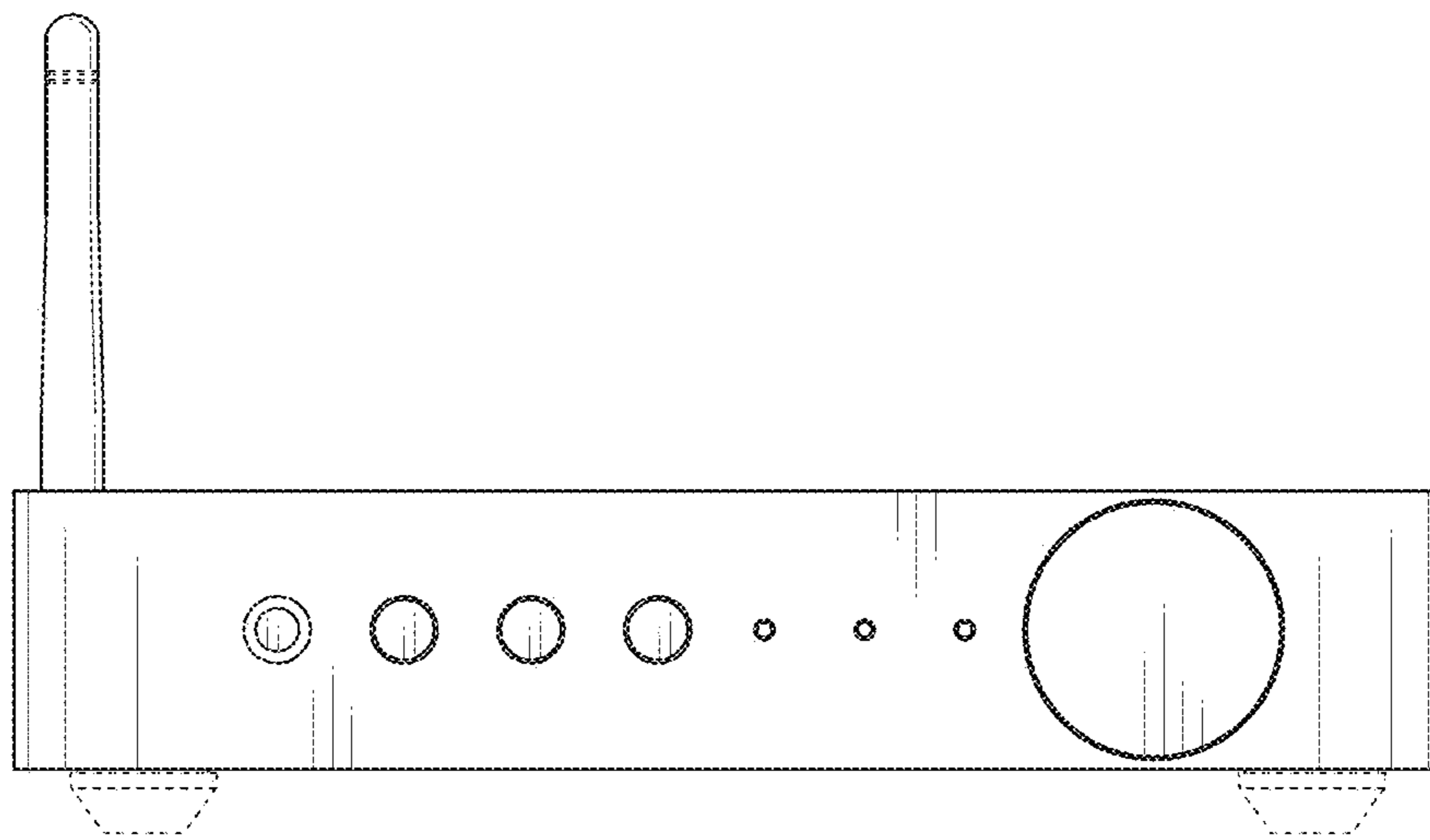


Fig. 10

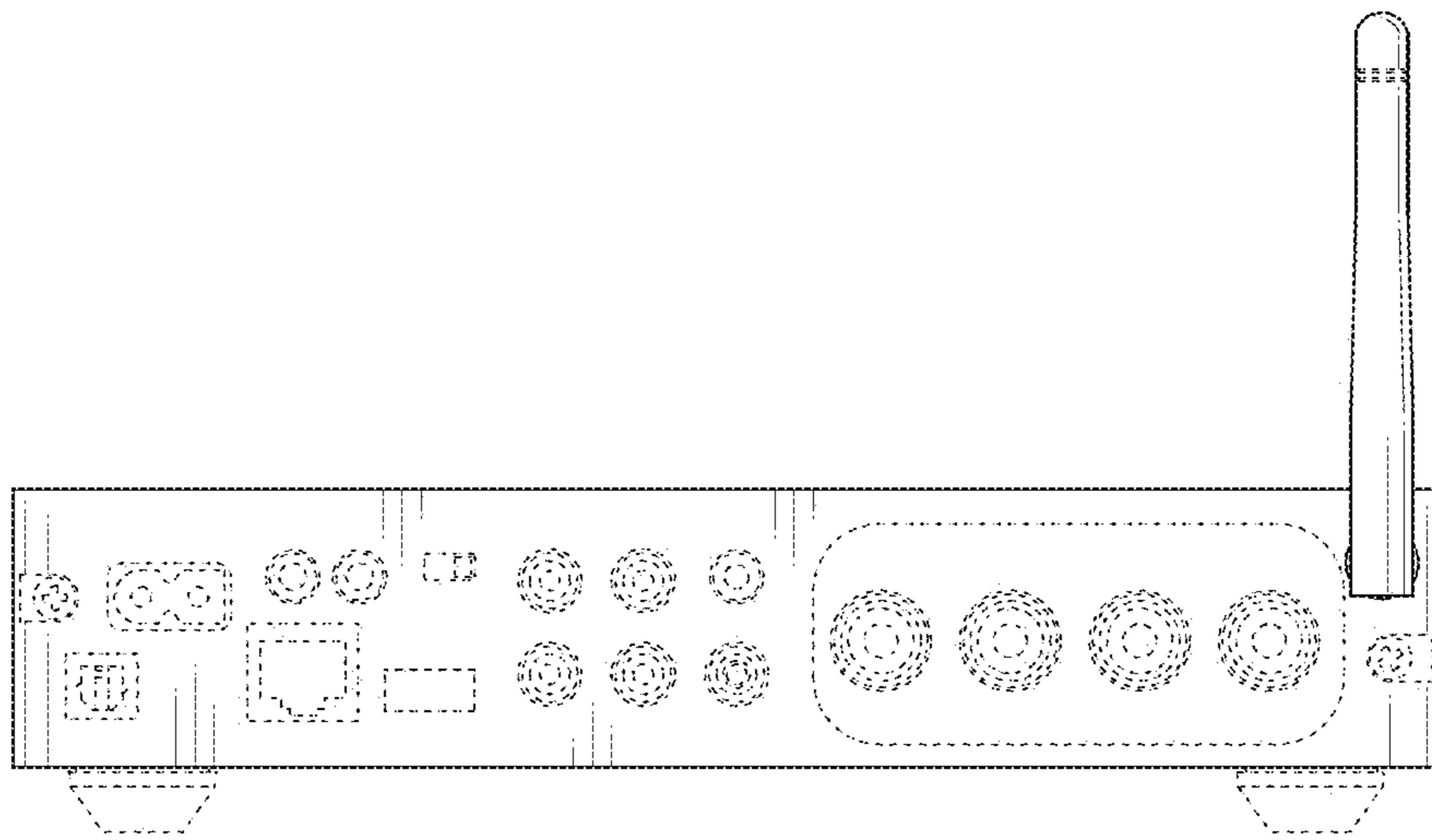


Fig. 11

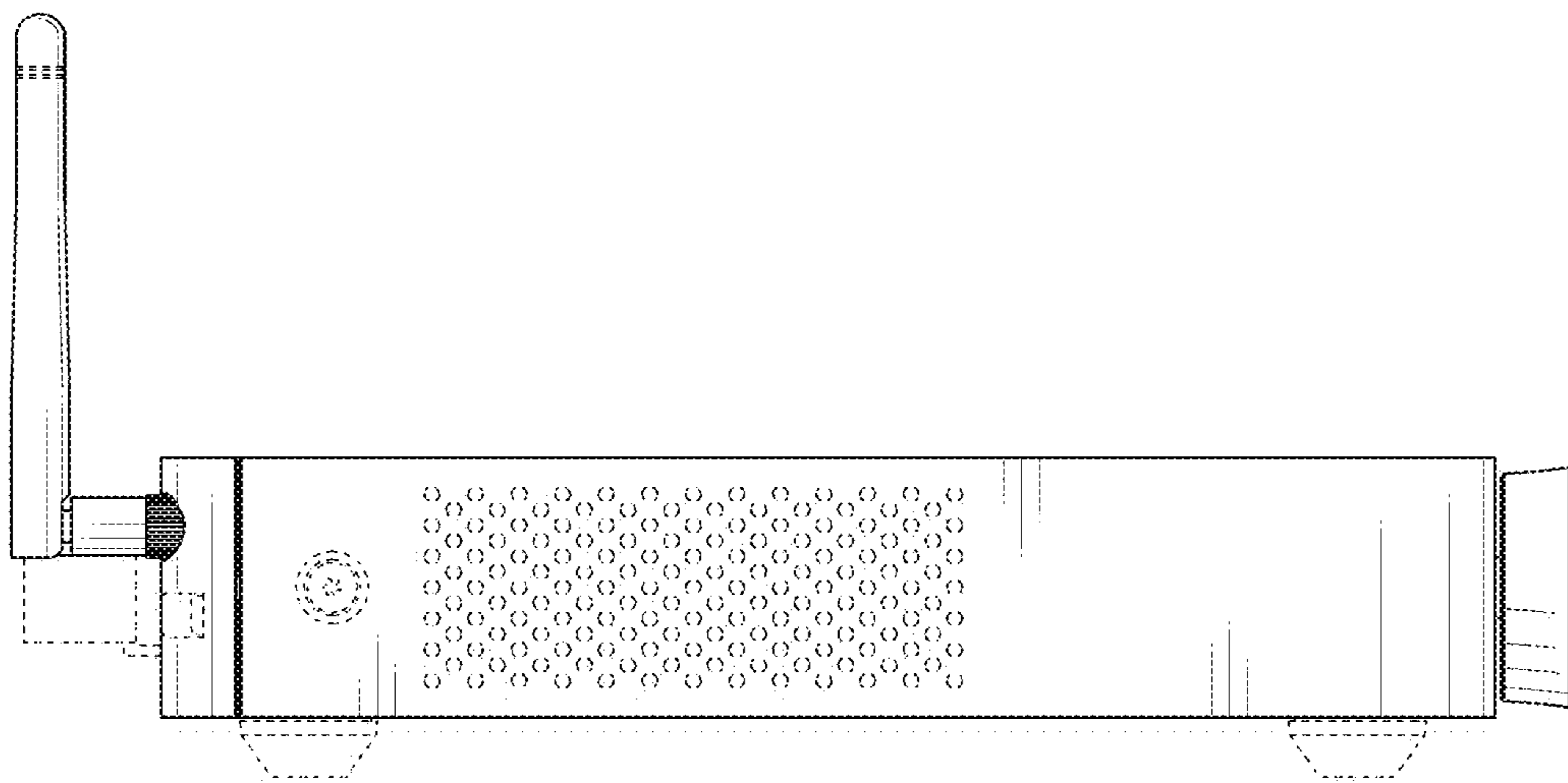


Fig. 12

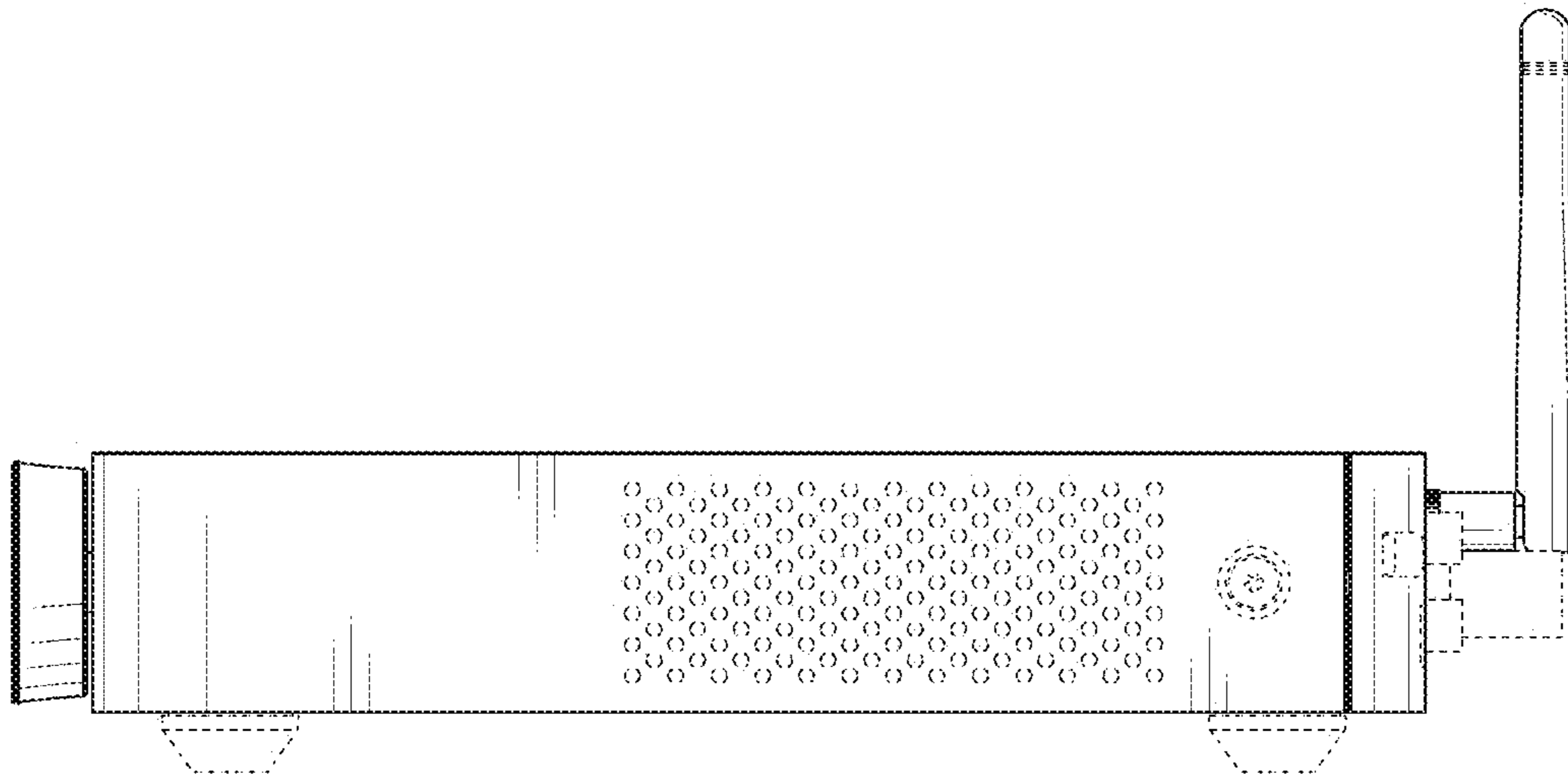


Fig. 13

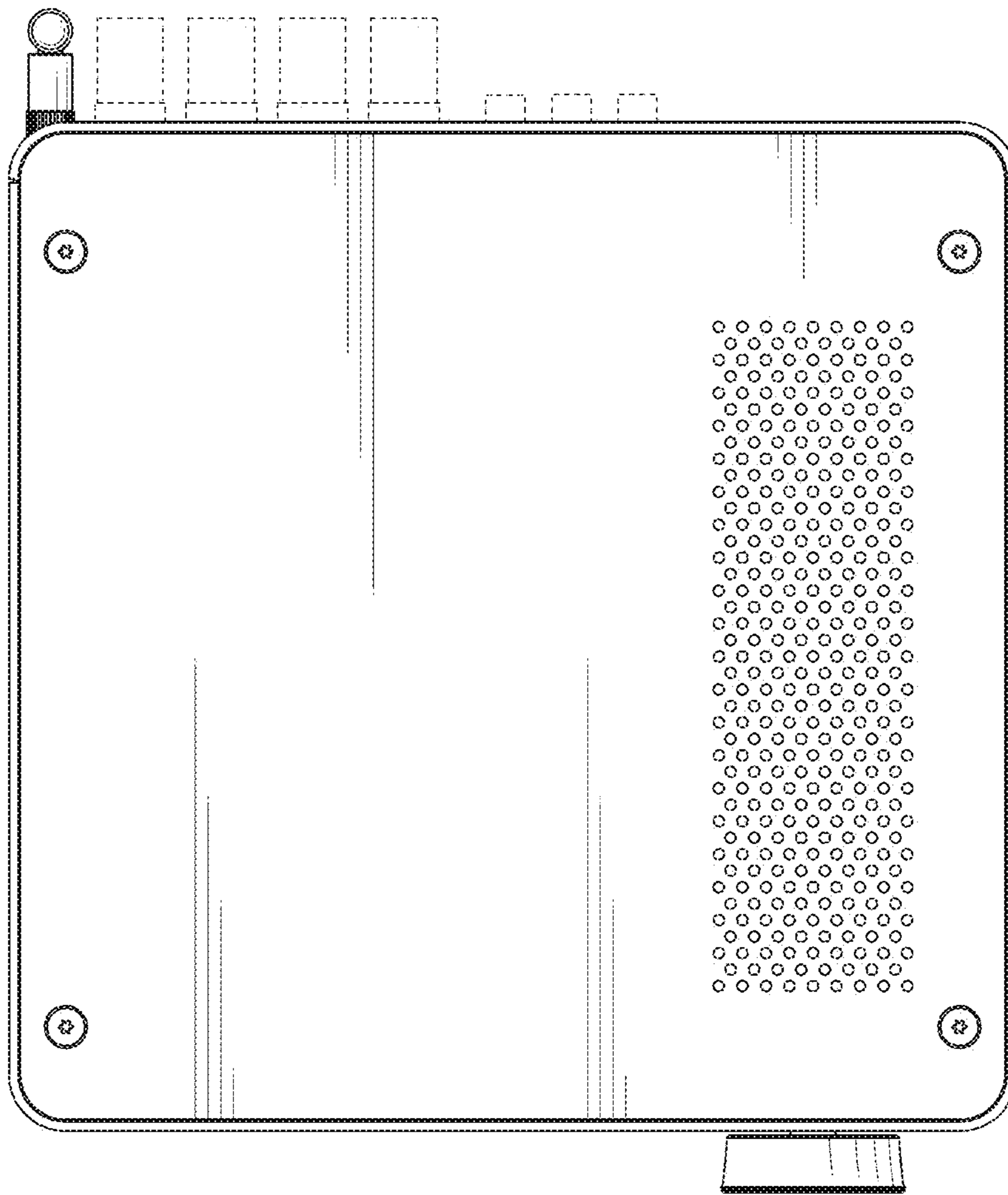


Fig. 14

