



US00D810043S

(12) **United States Design Patent** (10) **Patent No.:** **US D810,043 S**
Suzuki (45) **Date of Patent:** **** Feb. 13, 2018**

(54) **GUITAR AMPLIFIER**

(71) Applicant: **YAMAHA CORPORATION**,
Hamamatsu-shi, Shizuoka (JP)
(72) Inventor: **Toshihide Suzuki**, Hamamatsu (JP)
(73) Assignee: **YAMAHA CORPORATION**,
Hamamatsu-shi (JP)
(**) Term: **15 Years**

(21) Appl. No.: **29/549,263**

(22) Filed: **Dec. 21, 2015**

(30) **Foreign Application Priority Data**

Jun. 24, 2015 (JP) 2015-013979
Jun. 24, 2015 (JP) 2015-013980

(51) **LOC (11) Cl.** **14-03**

(52) **U.S. Cl.**
USPC **D14/188**

(58) **Field of Classification Search**

USPC D14/167, 168, 170-172, 188, 194-196,
D14/204, 207, 209.1, 210-216, 219, 221,
D14/222, 224, 239, 496; 181/143, 144,
181/147, 148, 150, 153, 157, 198, 199;
381/300-303, 306, 332, 333, 336, 345,
381/361-364, 386-388; 369/6-12
CPC B60R 11/0217; G06F 1/1688; G10K 9/22;
G10K 11/004; H03F 1/327; H04M 1/03;
H04M 1/035; H04N 5/642; H04N
21/4852; H04R 1/02; H04R 1/06; H04R
1/021; H04R 1/025; H04R 1/026; H04R
1/028; H04R 1/105; H04R 1/323; H04R
1/403; H04R 1/2803; H04R 1/2834;
H04R 5/02; H04R 7/20; H04R 9/06;
H04R 9/025; H04R 2201/021; H04R
2400/00; H04R 2400/07; H04R 2499/11;
H04R 2499/13; H04R 2499/15; H04S
3/00; H04S 7/30

See application file for complete search history.

(56) **References Cited**

U.S. PATENT DOCUMENTS

D259,565 S * 6/1981 Watanabe D14/197
D267,949 S * 2/1983 Hisatsune D14/188
D394,262 S * 5/1998 Cross D14/188
D404,396 S * 1/1999 Mackie D13/110
D415,493 S * 10/1999 Shieber D14/188
D508,478 S * 8/2005 Nakajima D14/188

(Continued)

Primary Examiner — Keli L Hill

(74) *Attorney, Agent, or Firm* — Sughrue Mion, PLLC

(57) **CLAIM**

The ornamental design for a guitar amplifier, as shown and described.

DESCRIPTION

FIG. 1 is a perspective view of the front, top and right side of a guitar amplifier according to a first embodiment showing my new design;

FIG. 2 is a front view thereof;

FIG. 3 is a rear view thereof;

FIG. 4 is a left side view thereof;

FIG. 5 is a right side view thereof;

FIG. 6 is a top plan view thereof;

FIG. 7 is a bottom view thereof;

FIG. 8 is a perspective view of the front, top and right side of a guitar amplifier according to a second embodiment showing my new design;

FIG. 9 is a front view thereof;

FIG. 10 is a rear view thereof;

FIG. 11 is a left side view thereof;

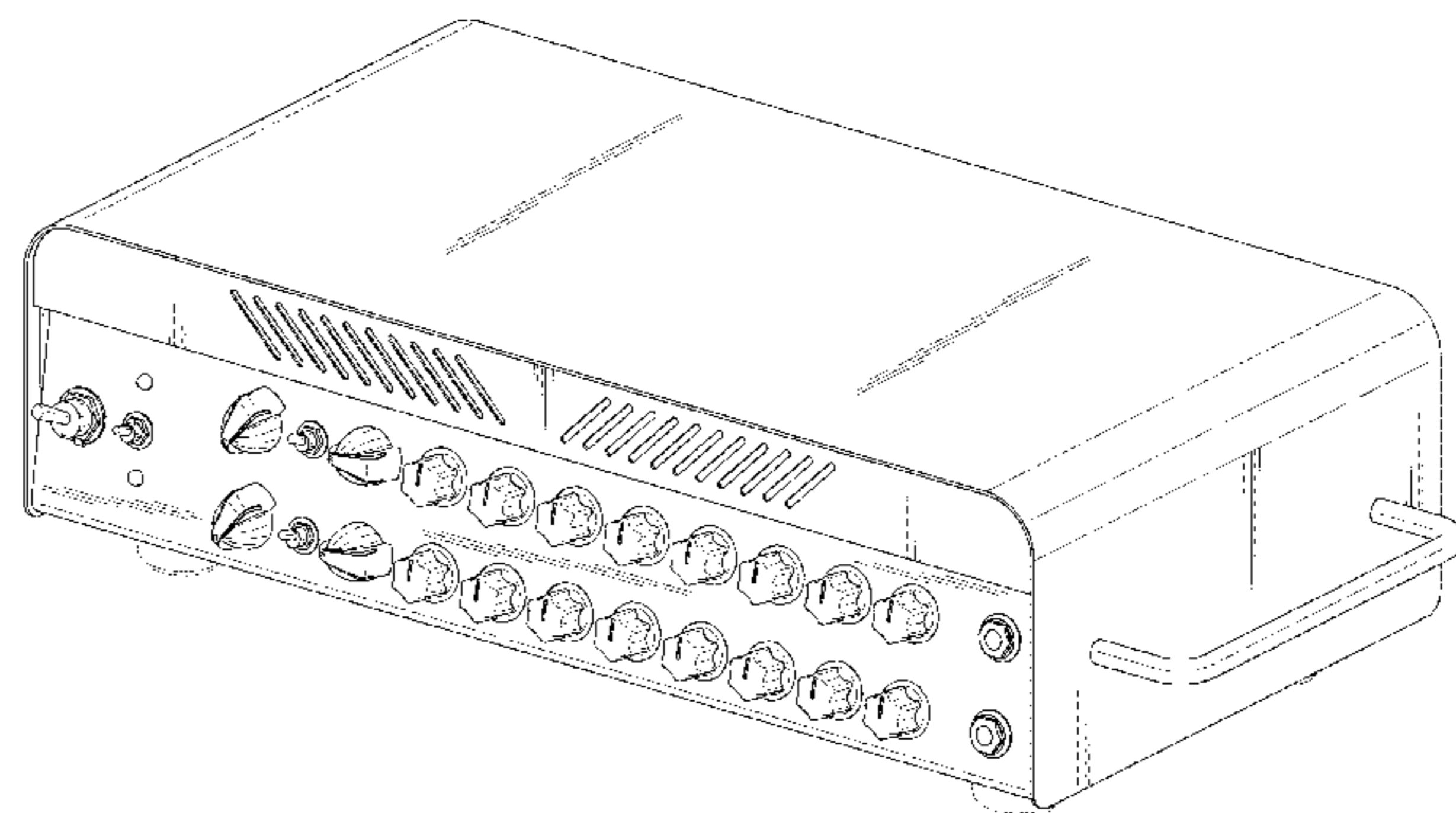
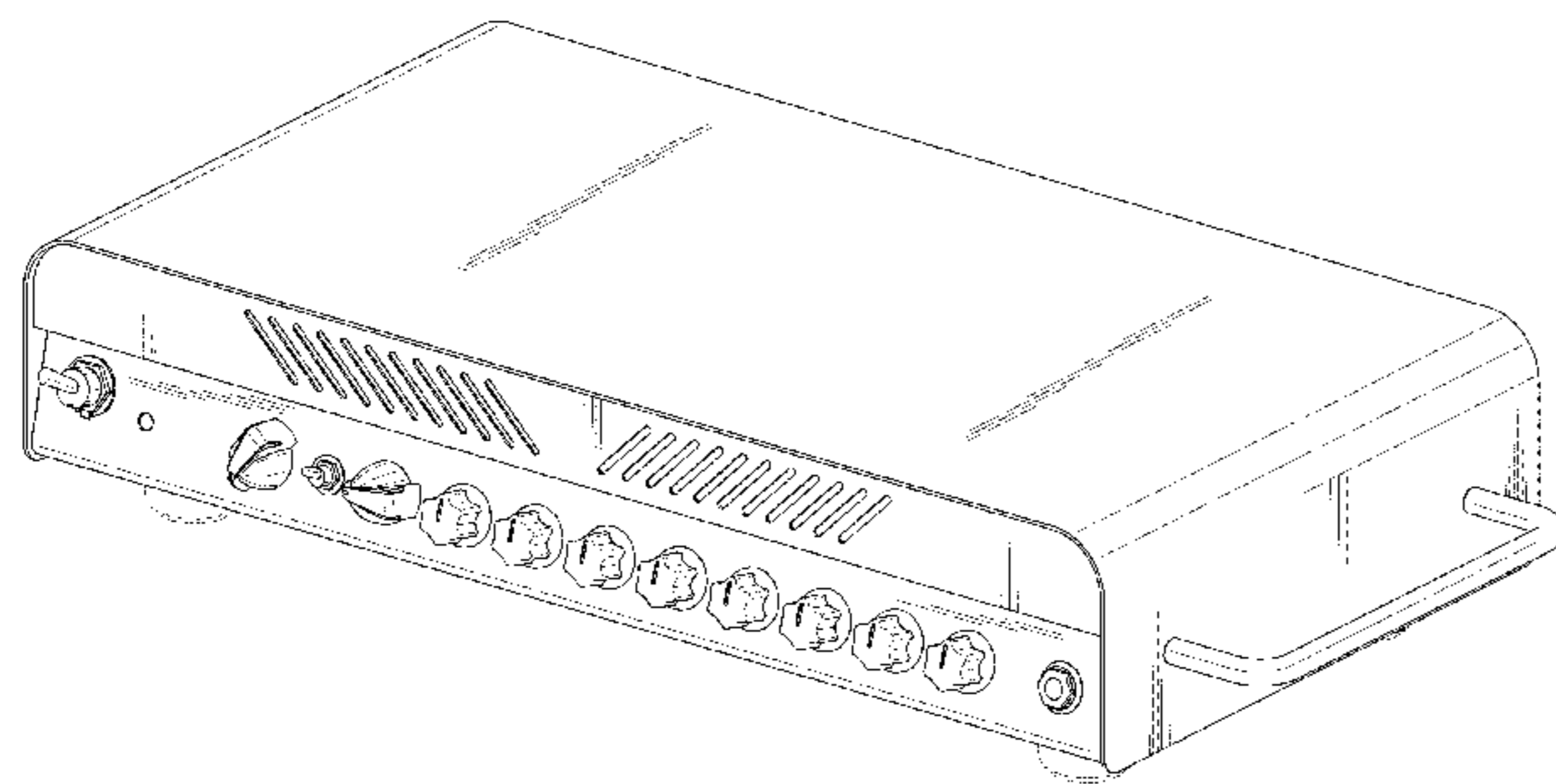
FIG. 12 is a right side view thereof;

FIG. 13 is a top plan view thereof; and,

FIG. 14 is a bottom view thereof.

The broken line showing of the guitar amplifier is included for the purpose of illustrating portions of the guitar amplifier and forms no part of the claimed design.

1 Claim, 14 Drawing Sheets



(56)

References Cited

U.S. PATENT DOCUMENTS

D585,374 S	*	1/2009	Kim	D13/123
D655,687 S	*	3/2012	Miyawaki	D14/188
D674,764 S	*	1/2013	Suzuki	D14/188
D719,128 S	*	12/2014	Teulie	D14/188
D754,096 S	*	4/2016	Teulie	D14/188

* cited by examiner

Fig. 1

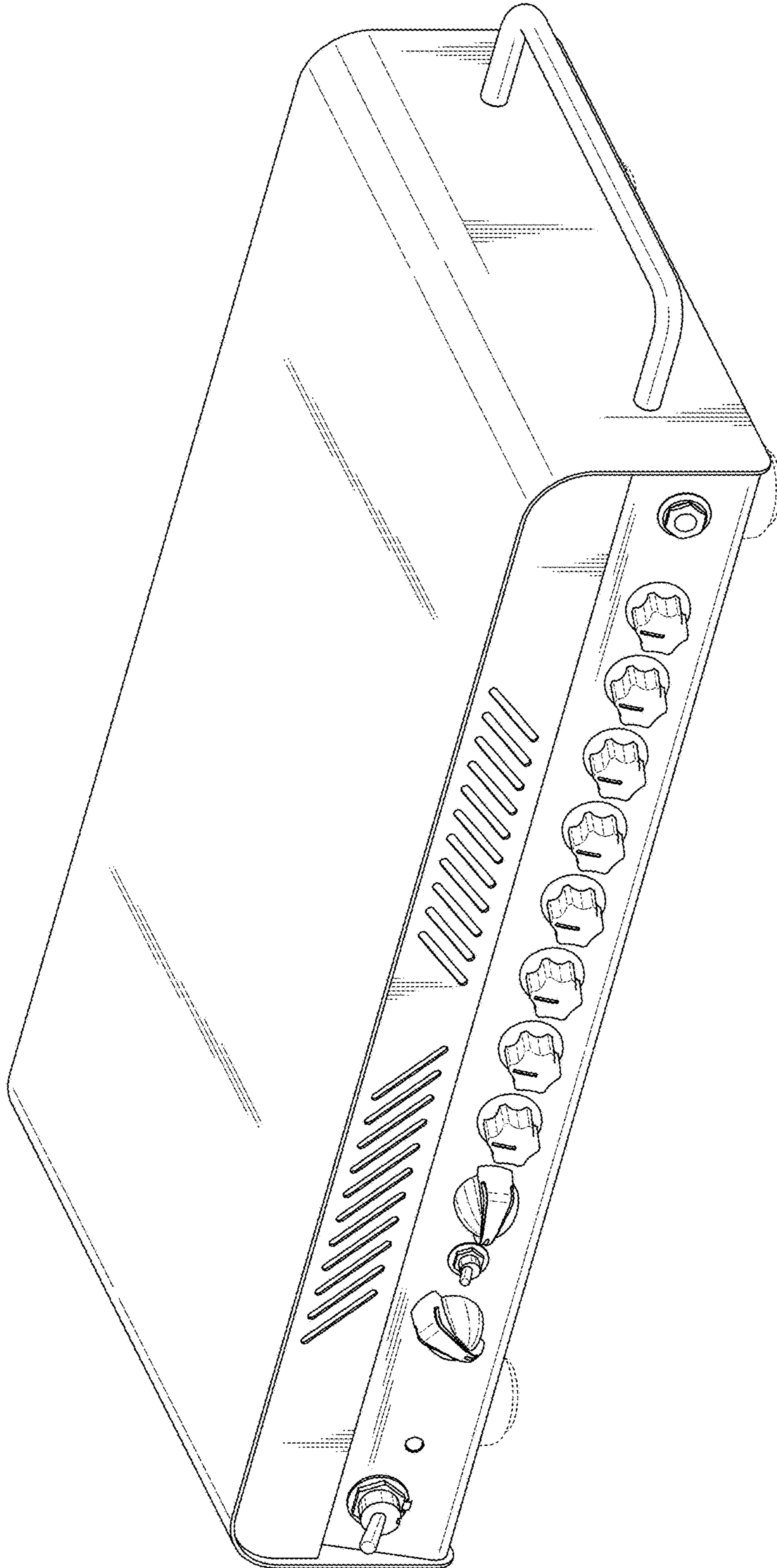


Fig. 2

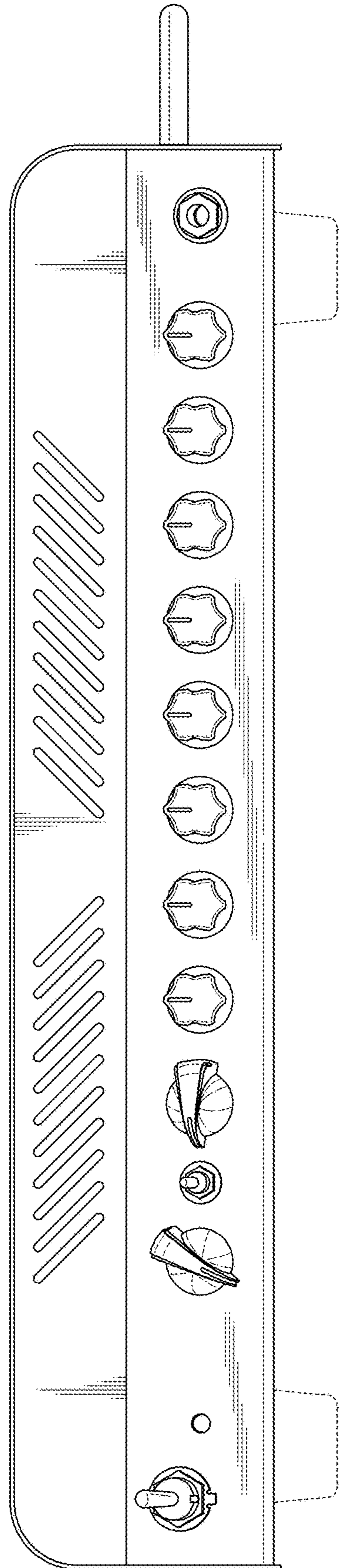


Fig. 3

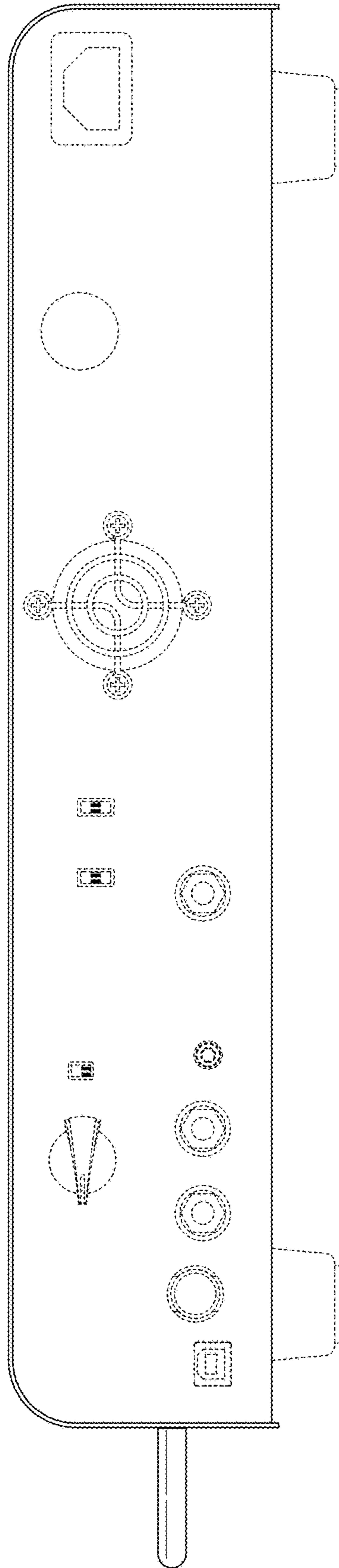


Fig. 4

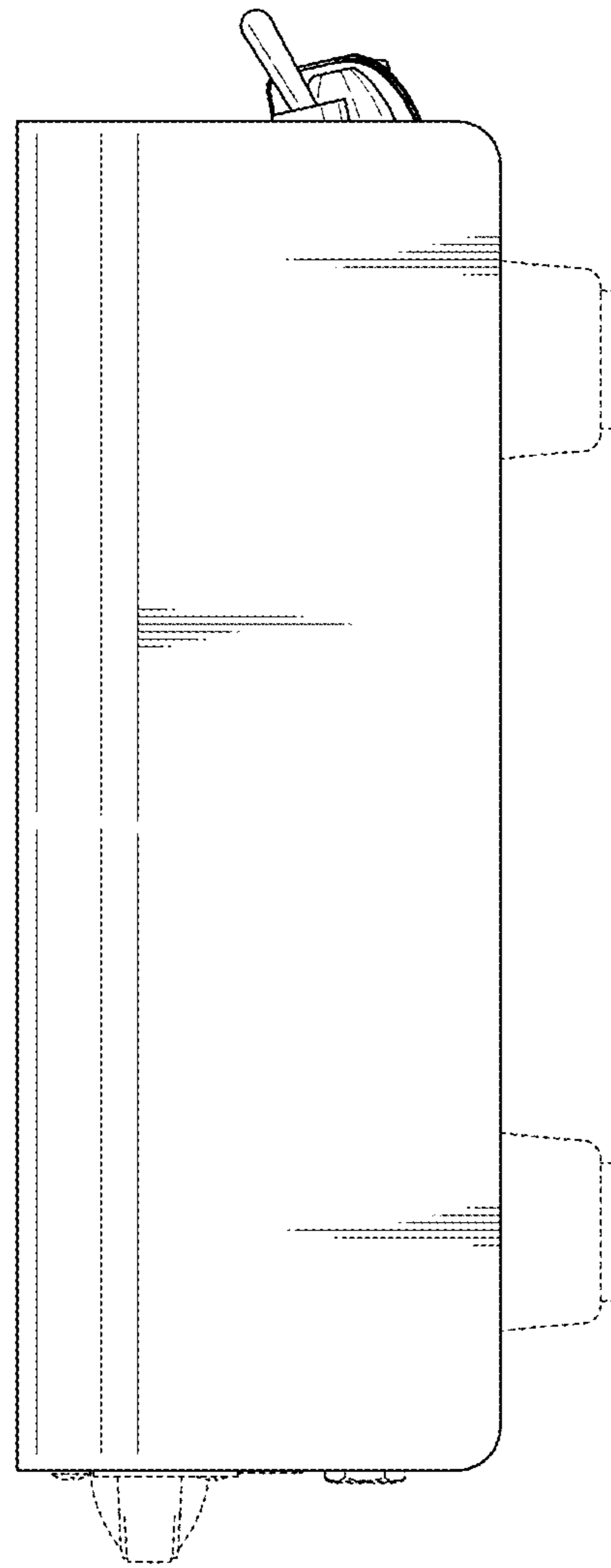


Fig. 5

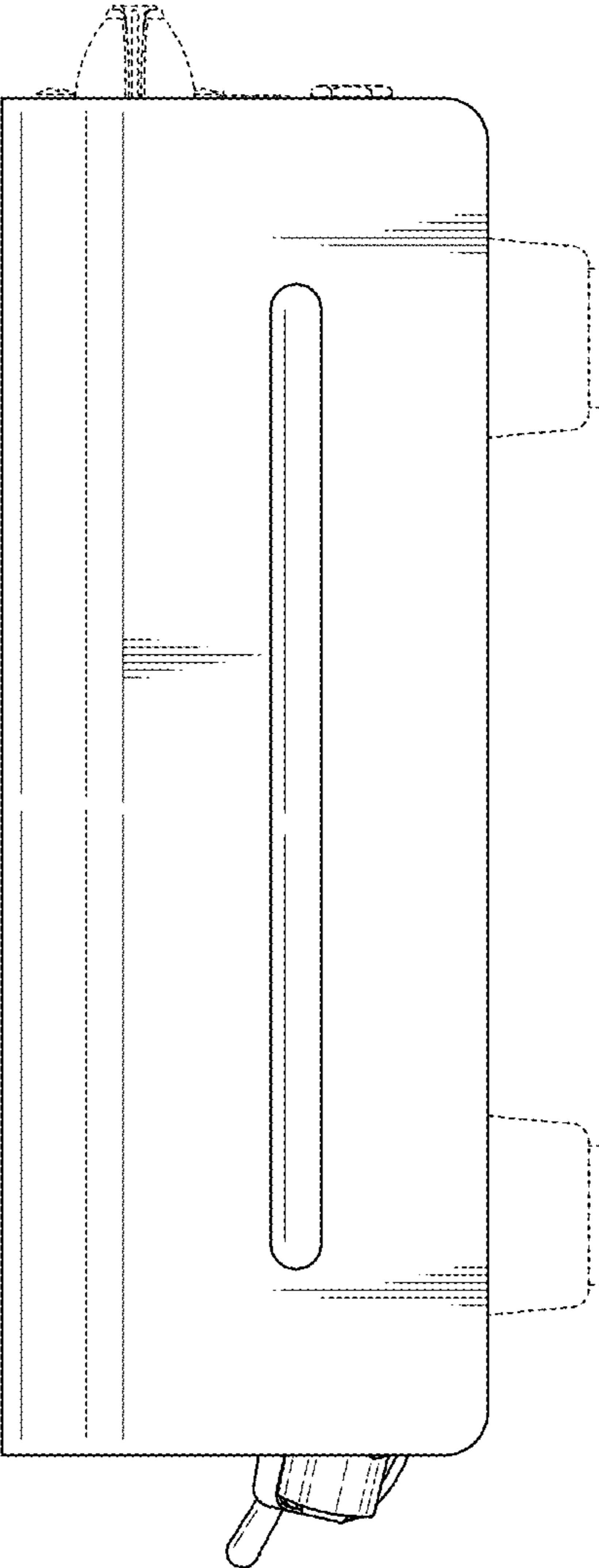


Fig. 6

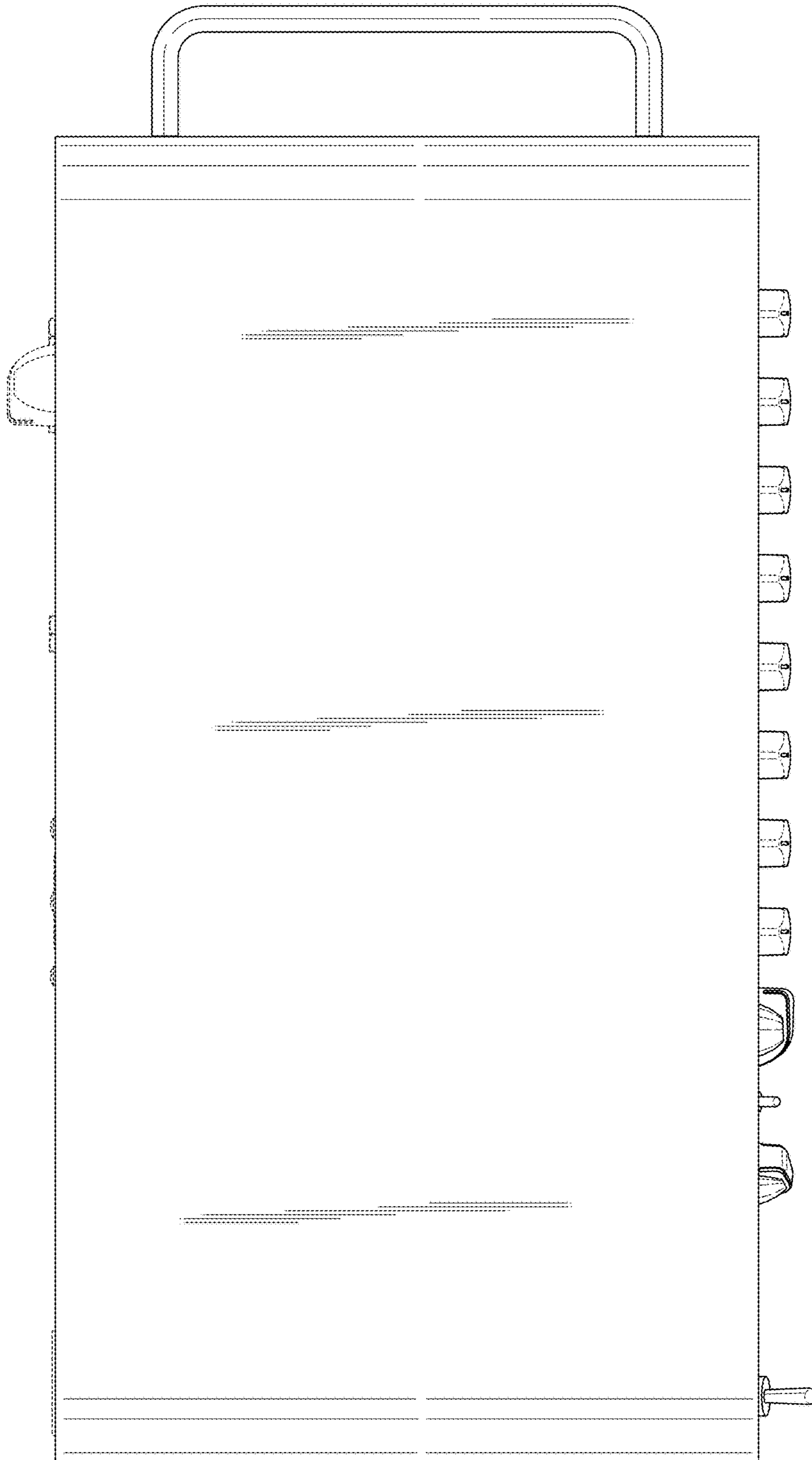


Fig. 7

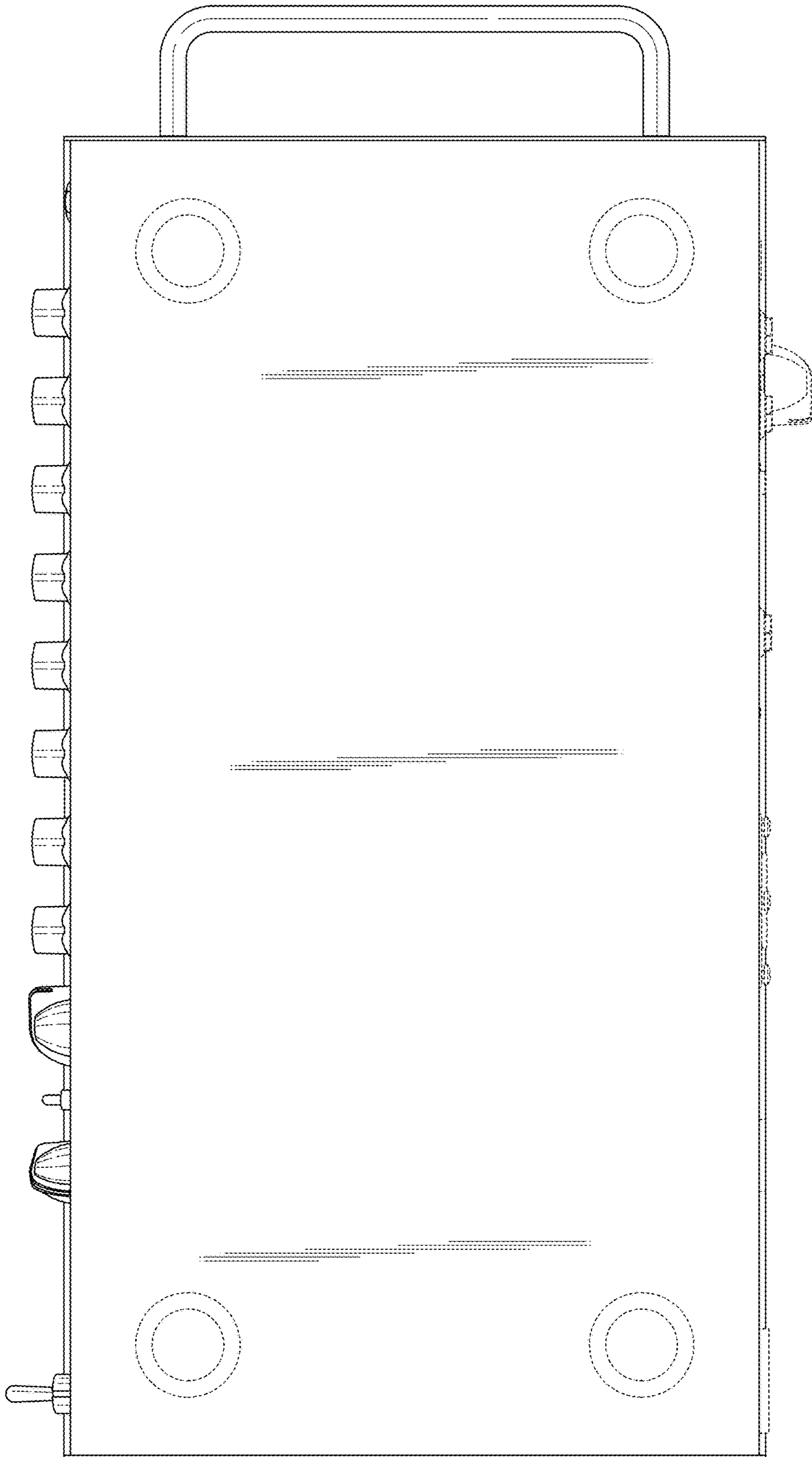


Fig. 8

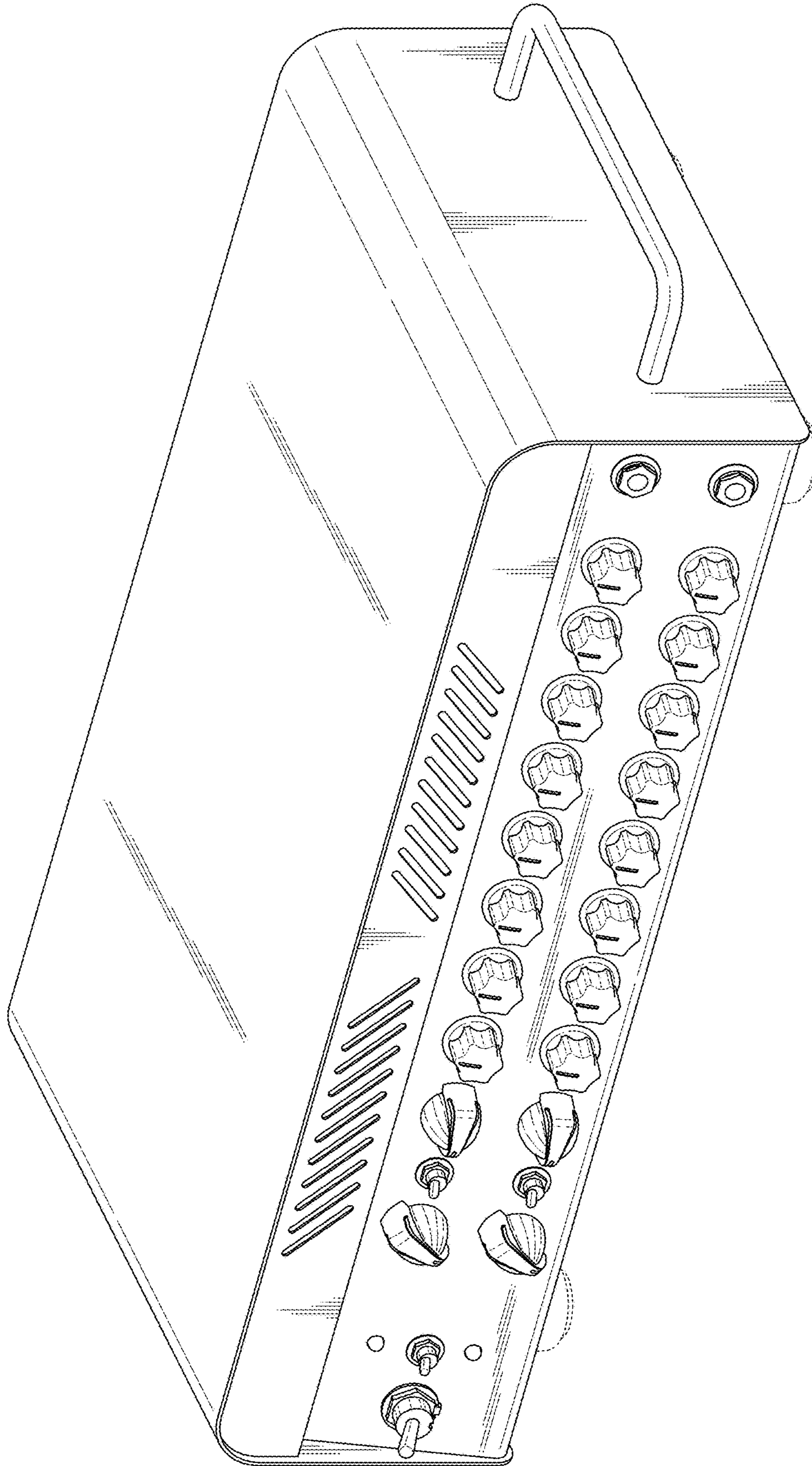


Fig. 9

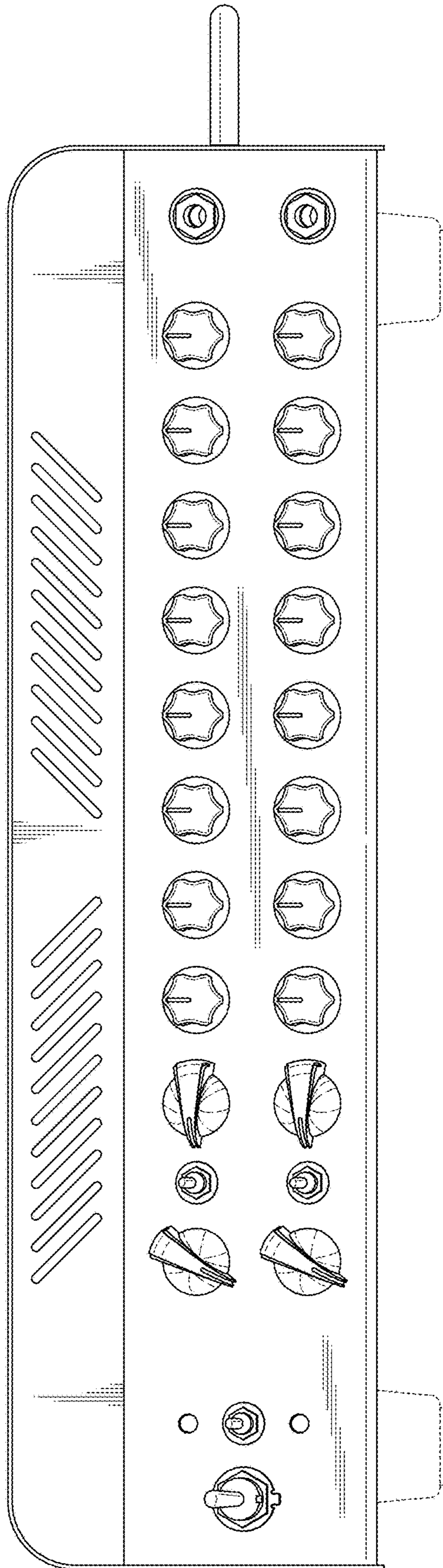


Fig. 10

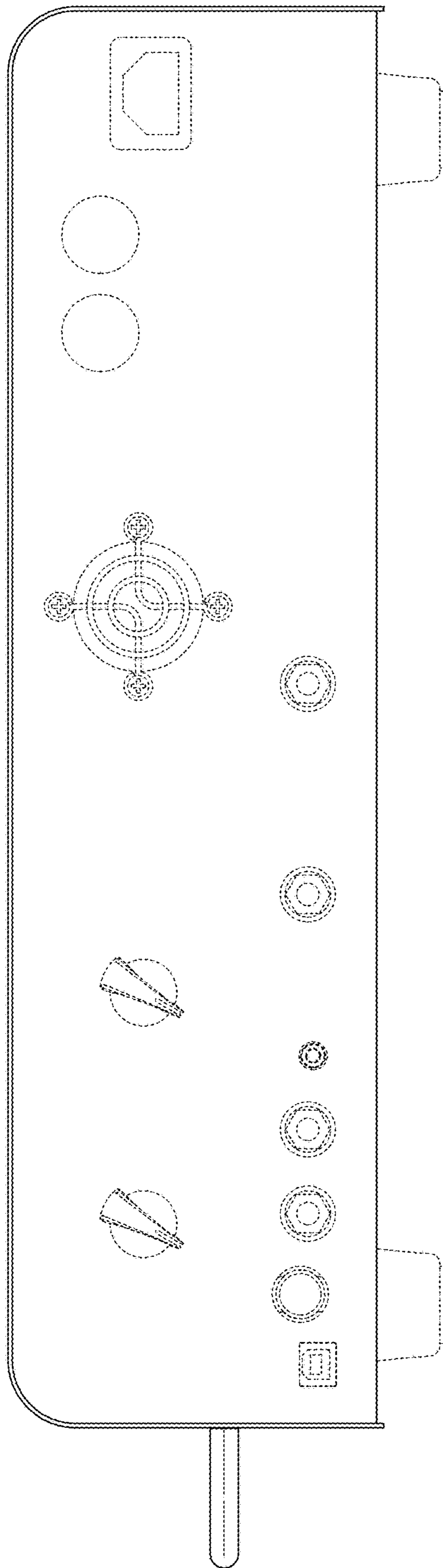


Fig. 11

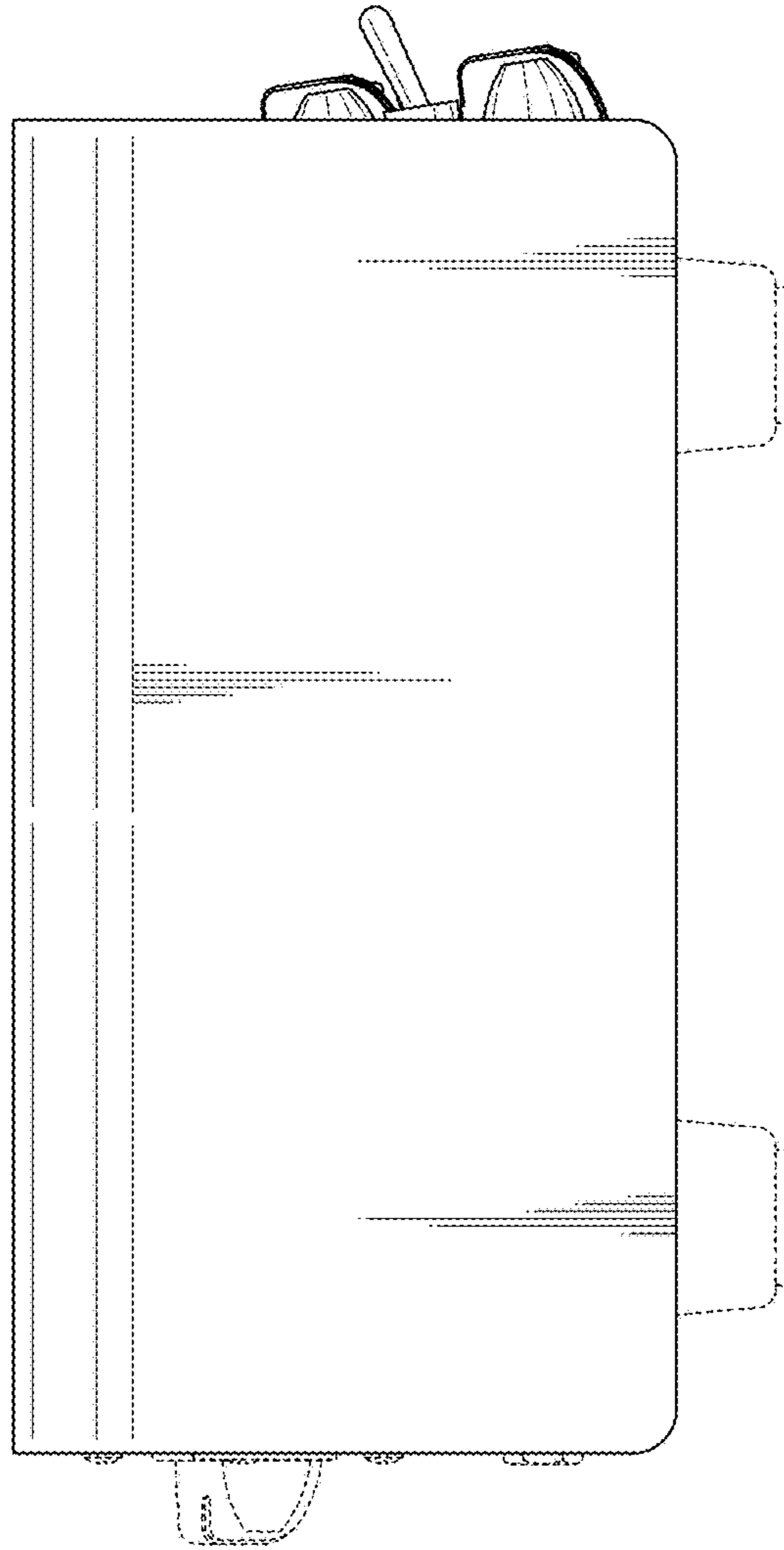


Fig. 12

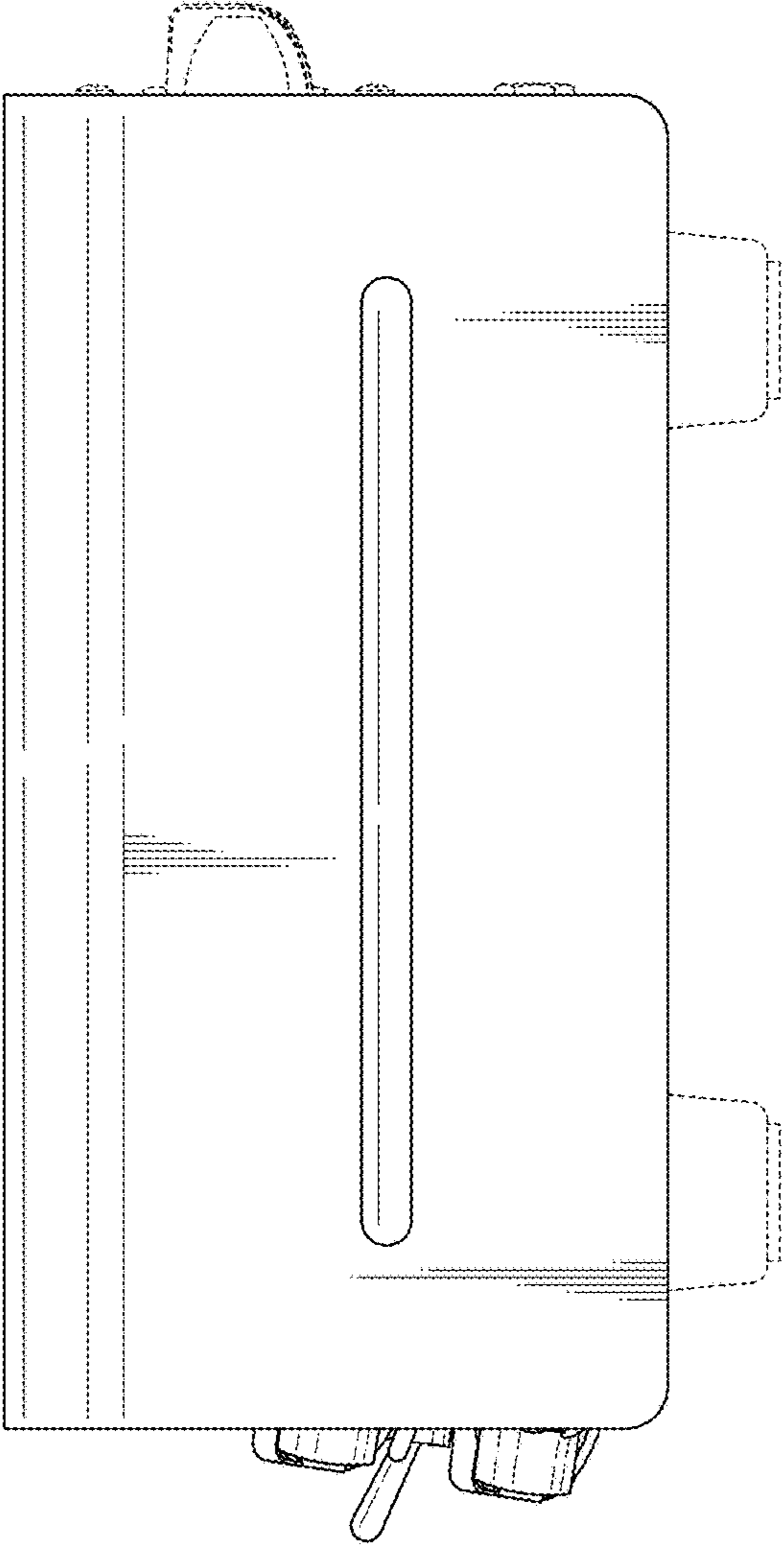


Fig. 13

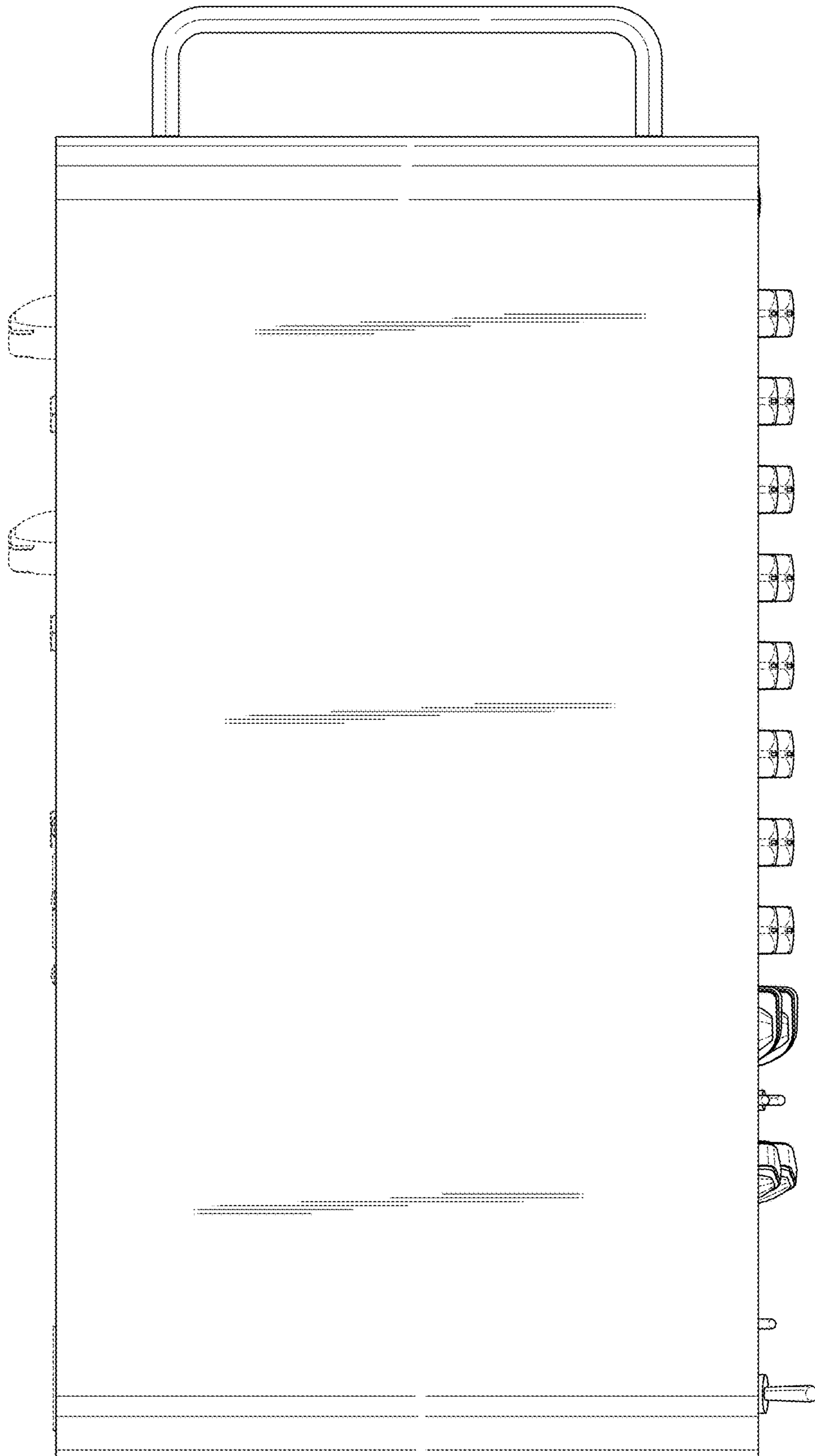


Fig. 14

