



US00D810042S

(12) **United States Design Patent** (10) **Patent No.:** **US D810,042 S**
Pazhoor (45) **Date of Patent:** **** Feb. 13, 2018**

(54) **TRANSLATOR**
(71) Applicant: **Divine Connect, LLC**, West Palm Beach, FL (US)
(72) Inventor: **Mohamed S. Pazhoor**, West Palm Beach, FL (US)
(73) Assignee: **Divine Connect, LLC**, West Palm Beach, FL (US)
(**) Term: **15 Years**

5,742,505 A * 4/1998 Fushimoto G06F 3/0236
704/2
D425,518 S * 5/2000 Simms D14/347
D433,675 S * 11/2000 Carranco D14/218
D515,528 S * 2/2006 Miyazawa D14/138 AA
D555,624 S * 11/2007 Lee D14/138 AA
D562,281 S * 2/2008 Kim D14/138 AA
D566,725 S * 4/2008 Kaneko D14/496
D572,694 S * 7/2008 Park D14/138 AD
D573,567 S * 7/2008 Chang D14/138 AA
D575,260 S * 8/2008 Liaw D14/138 AA
D579,440 S * 10/2008 Wiley D14/158
D579,910 S * 11/2008 Fan D14/138 AA

(Continued)

(21) Appl. No.: **29/577,160**
(22) Filed: **Sep. 9, 2016**
(51) **LOC (11) Cl.** **14-03**
(52) **U.S. Cl.**
USPC **D14/158**
(58) **Field of Classification Search**
USPC D14/158, 259, 341, 342, 343, 344, 346,
D14/138 R, 138 AA, 138 G, 191, 426,
D14/496, 299, 154, 160-165, 167, 168,
D14/188, 203.1, 203.3, 203.6, 203.7, 217,
D14/218, 388; D16/208; D19/60;
D13/168; D24/167, 186; D10/104.1,
D10/106.1
CPC G10L 15/00; G10L 15/005; G10L 15/26;
G10L 13/086; G06F 17/00; G06F
17/2836; G06F 17/289
See application file for complete search history.

OTHER PUBLICATIONS

Trinvo Talking Translator: "Say I Can't Understand You" in 12 Languages. [online] 5 pgs. Posted Jul. 30, 2009. [Retrieved on Dec. 13, 2017] <https://technabob.com/blog/2009/07/30/trinvo-talking-translator/>.*

Primary Examiner — Susan Bennett Hattan
Assistant Examiner — Marie D. Fast Horse
(74) *Attorney, Agent, or Firm* — McHale & Slavin, P.A.

(57) **CLAIM**

The ornamental design for a translator, as shown and described.

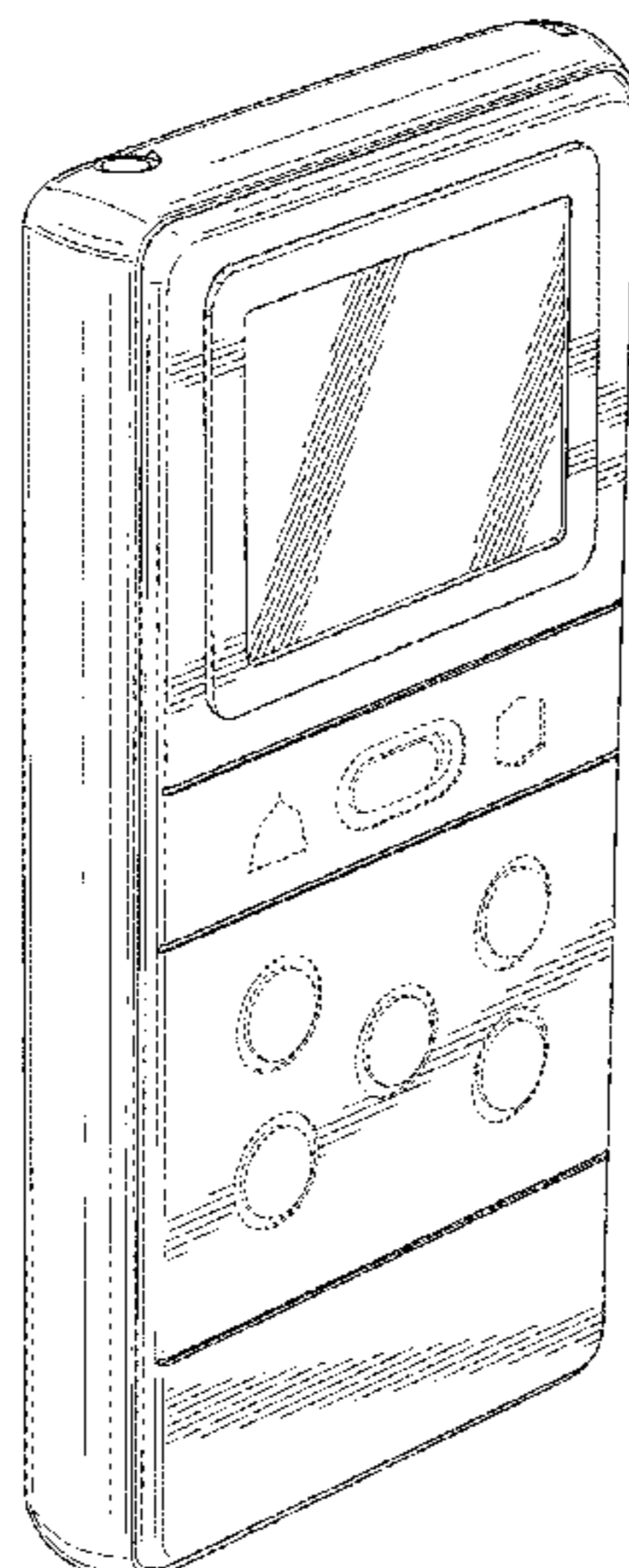
DESCRIPTION

FIG. 1 is a top front left isometric view of the translator of the present invention;
FIG. 2 is a front view thereof;
FIG. 3 is a rear view thereof;
FIG. 4 is a right side view thereof;
FIG. 5 is a left side view thereof;
FIG. 6 is a top view thereof; and,
FIG. 7 is a bottom view thereof.
The portions of the translator illustrated in broken lines form no part of the claimed subject matter.

1 Claim, 5 Drawing Sheets

(56) **References Cited**
U.S. PATENT DOCUMENTS

D278,707 S * 5/1985 Swinney D14/158
D332,775 S * 1/1993 Cavanaugh D14/158
D345,965 S * 4/1994 Hanks D14/346
D357,919 S * 5/1995 Tsui D13/168
D364,850 S * 12/1995 Estrada D10/65
5,475,798 A * 12/1995 Handlos G02C 11/10
704/270
D377,479 S * 1/1997 Matsubara D14/158



(56)

References Cited

U.S. PATENT DOCUMENTS

D582,373 S * 12/2008 Cao D14/138 AA
 D591,251 S * 4/2009 Laine D14/138 AA
 D591,711 S * 5/2009 Bai D14/138 AA
 D592,165 S * 5/2009 Bai D14/138 AA
 D594,006 S * 6/2009 Ren D14/341
 D595,686 S * 7/2009 Mosher D14/158
 D598,888 S * 8/2009 Wei D14/138 AA
 D608,338 S * 1/2010 Myojo D14/167
 D609,688 S * 2/2010 Obata D14/167
 D609,689 S * 2/2010 Obata D14/167
 D623,160 S * 9/2010 Garn D14/138 AA
 D629,385 S * 12/2010 Lee D14/203.3
 D629,387 S * 12/2010 Lee D14/203.3
 D629,770 S * 12/2010 Messner D14/129
 D629,788 S * 12/2010 Lee D14/203.3
 D643,401 S * 8/2011 Chen D14/203.3
 D649,953 S * 12/2011 Chung D14/138 AA
 8,204,752 B1 * 6/2012 Cranford H04M 1/21
 704/2
 D673,562 S * 1/2013 Johnson D14/346
 D675,615 S * 2/2013 Peel D14/346
 D678,854 S * 3/2013 Chung D14/138 AA
 D682,980 S * 5/2013 Sheikh D22/117
 D699,701 S * 2/2014 Kim D14/203.7
 D715,796 S * 10/2014 Peel D14/346
 D801,940 S * 11/2017 Aketa D13/168
 D802,542 S * 11/2017 Christensen D13/168
 2009/0198486 A1 * 8/2009 Chang G06F 17/289
 704/2
 2010/0161310 A1 * 6/2010 Chao G06F 17/289
 704/3
 2015/0039288 A1 * 2/2015 Pedre G06F 17/289
 704/3

* cited by examiner

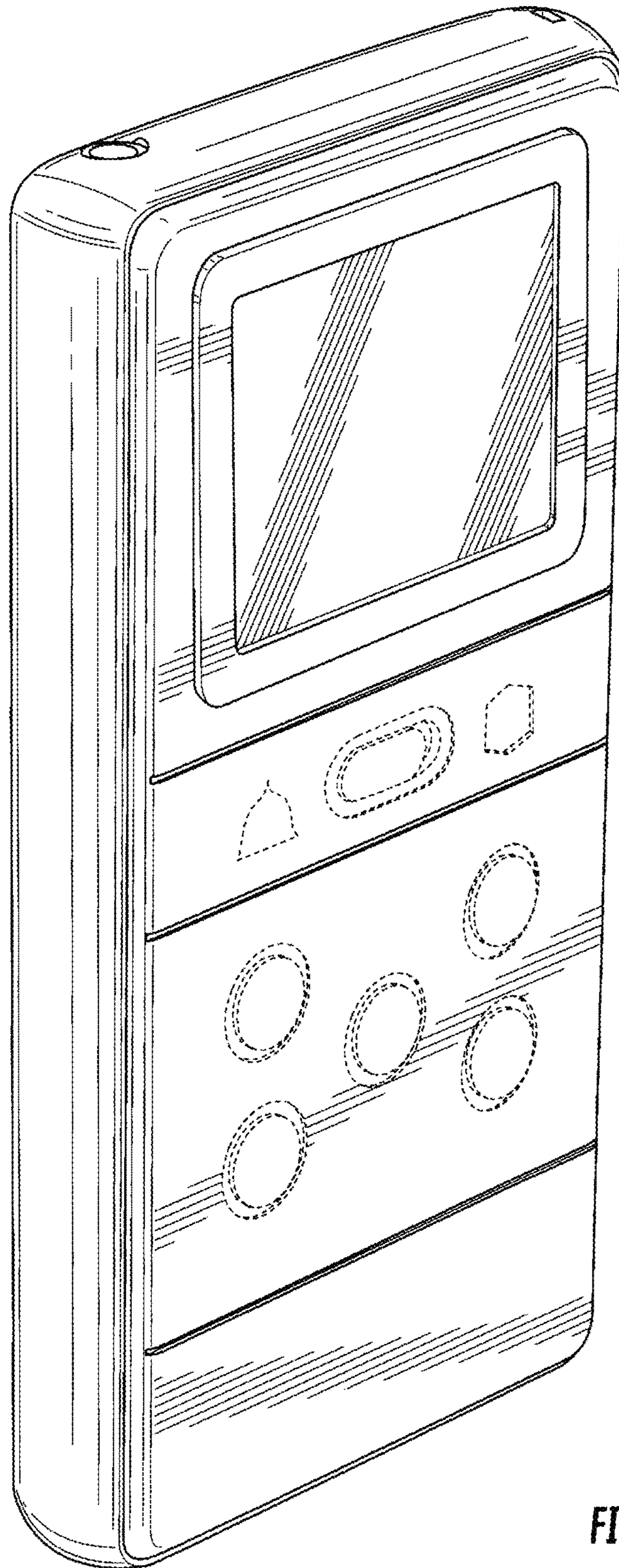


FIG. 1

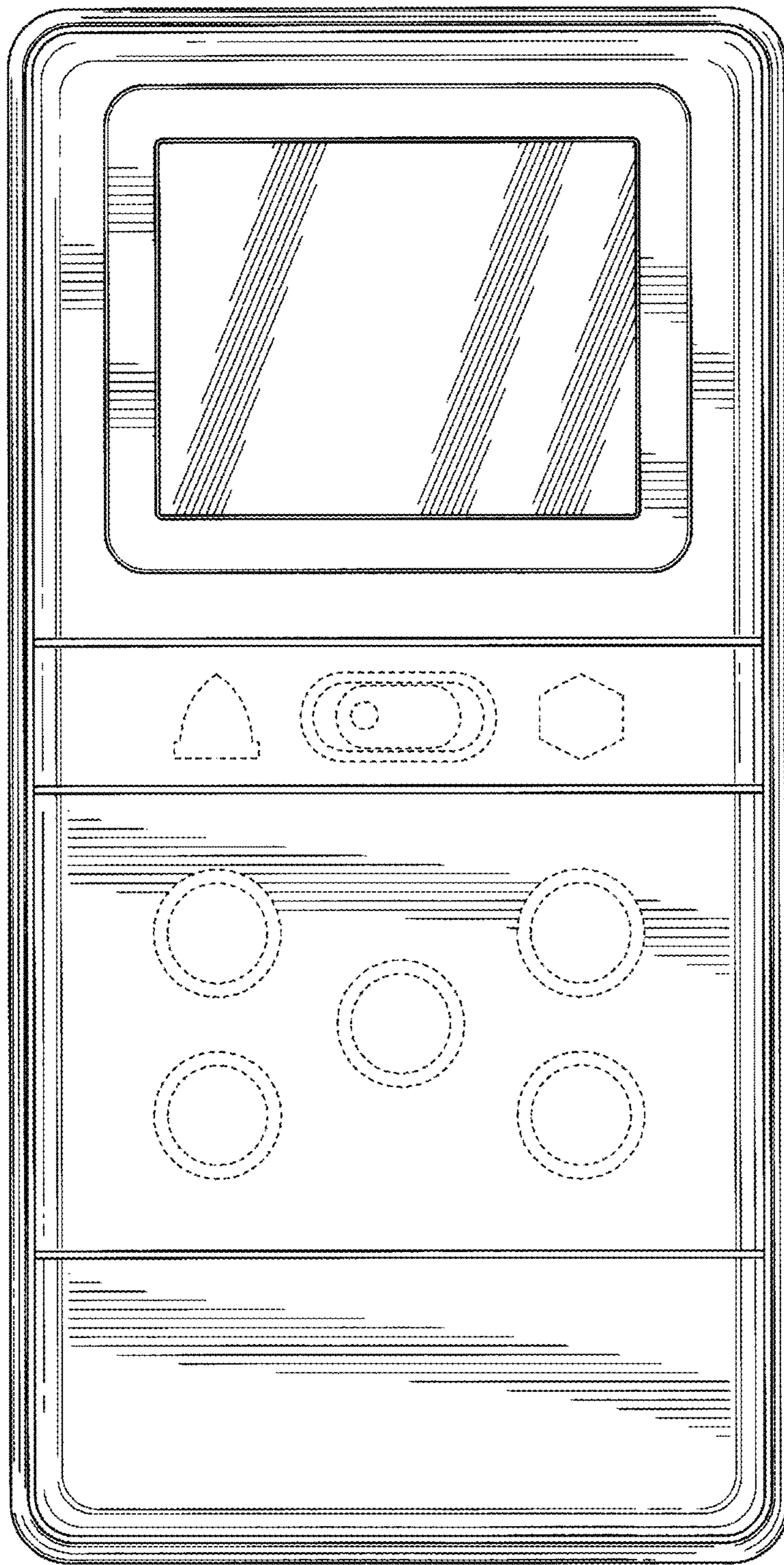


FIG. 2

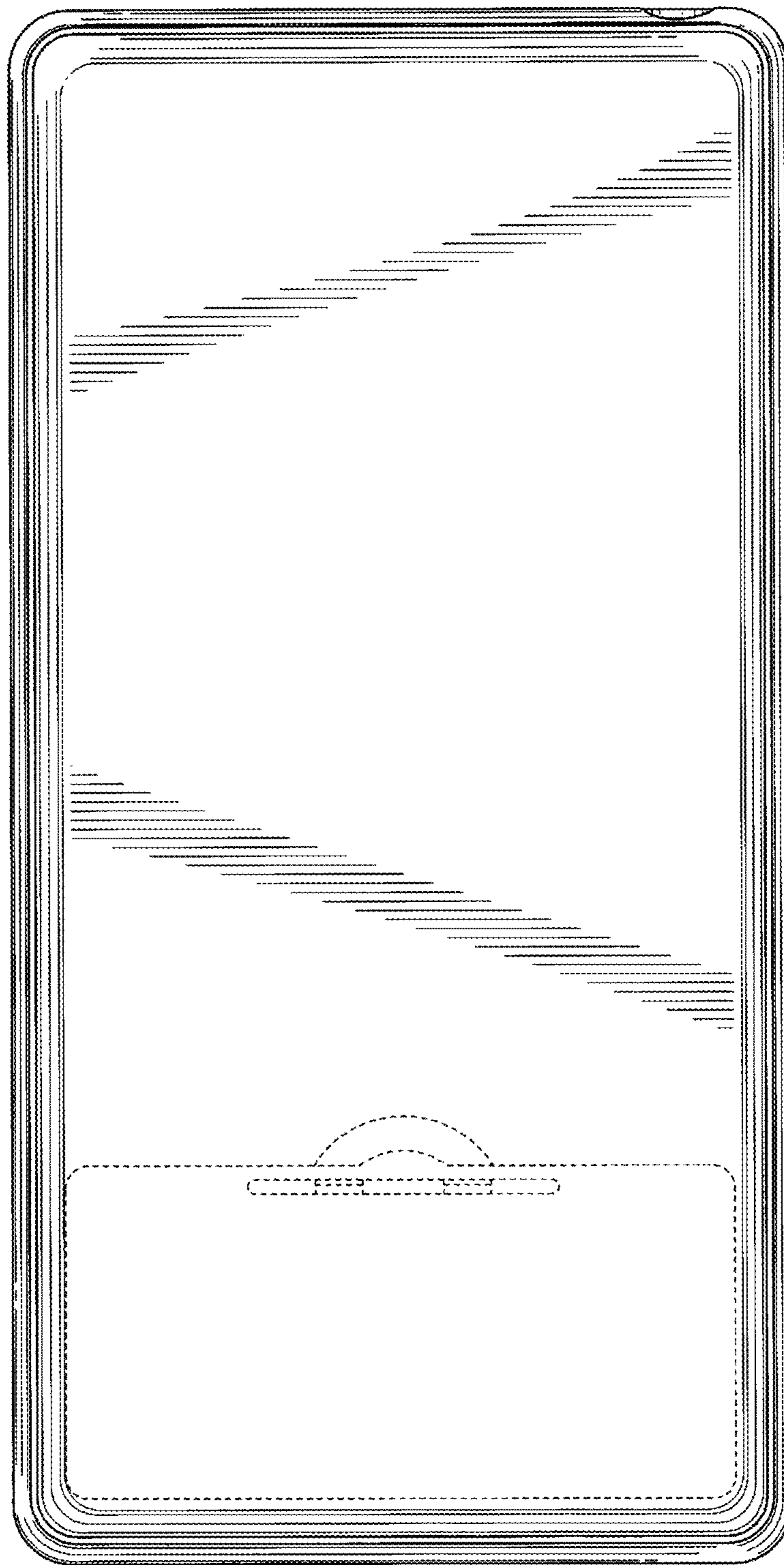


FIG. 3

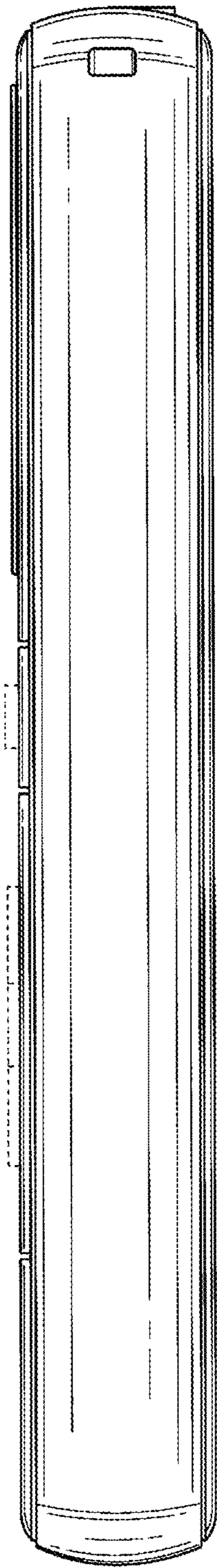


FIG. 4

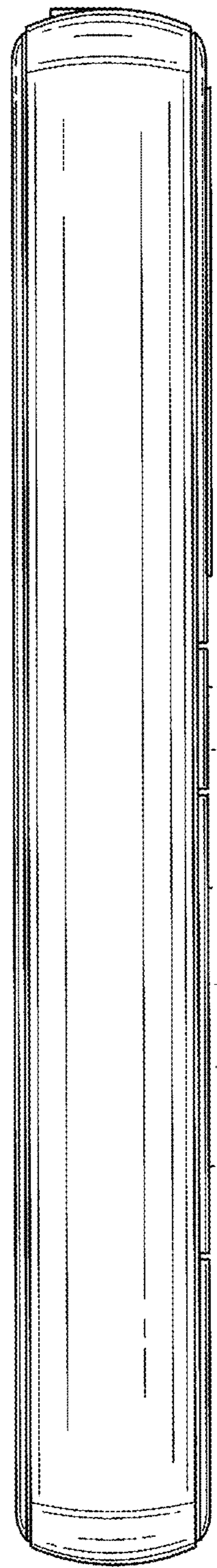


FIG. 5

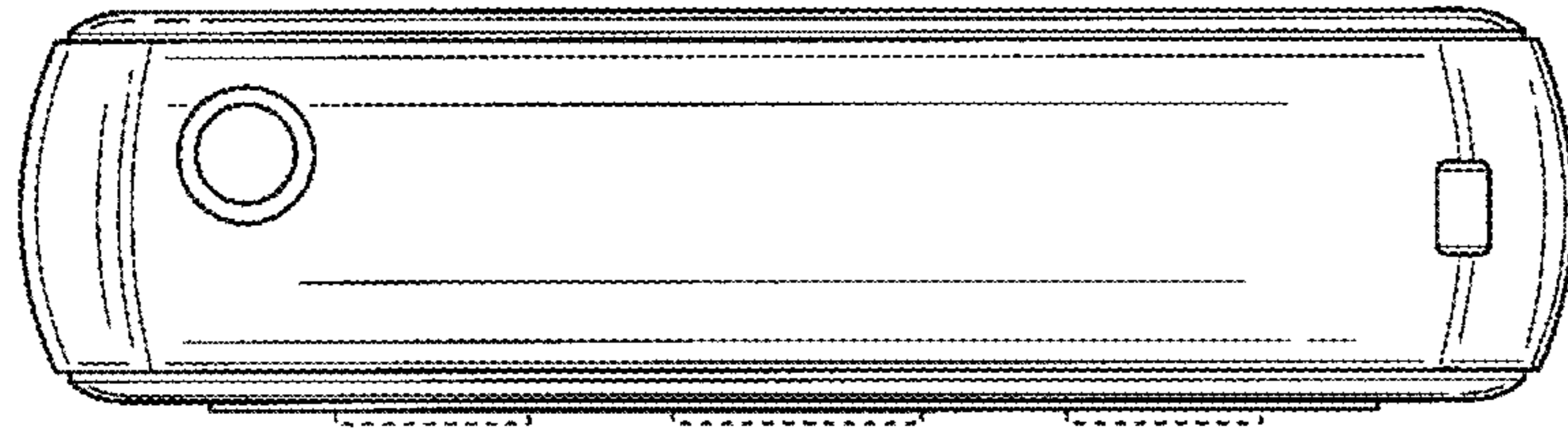


FIG. 6

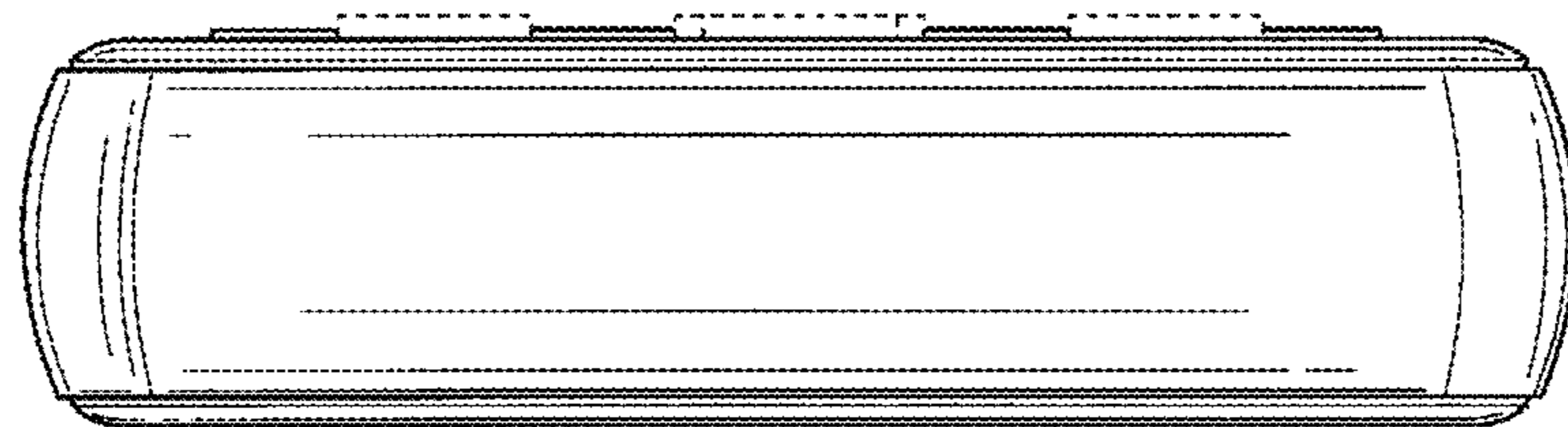


FIG. 7