



US00D810038S

(12) **United States Design Patent**
Kim et al.

(10) **Patent No.:** **US D810,038 S**
(45) **Date of Patent:** **** Feb. 13, 2018**

(54) **TV RECEIVER**

(71) Applicant: **LG ELECTRONICS INC., Seoul (KR)**

(72) Inventors: **Yooseok Kim, Seoul (KR); Jongyoun Shin, Seoul (KR); Sunha Park, Seoul (KR); Younsoo Kim, Seoul (KR); Byungmu Huh, Seoul (KR)**

(73) Assignee: **LG ELECTRONICS INC., Seoul (KR)**

(**) Term: **15 Years**

(21) Appl. No.: **35/501,881**

(22) Filed: **May 11, 2016**

(80) **Hague Agreement Data**

Int. Filing Date: **May 11, 2016**
Int. Reg. No.: **DM/093181**
Int. Reg. Date: **May 11, 2016**
Int. Reg. Pub. Date: **Nov. 11, 2016**

(30) **Foreign Application Priority Data**

Nov. 13, 2015 (KR) 30-2015-0057401

(51) **LOC (11) Cl.** **14-03**

(52) **U.S. Cl.**
USPC **D14/126**

(58) **Field of Classification Search**

USPC D14/126
See application file for complete search history.

(56) **References Cited**

U.S. PATENT DOCUMENTS

D699,695 S * 2/2014 Kim D14/126
D699,696 S * 2/2014 Kim D14/126

D714,748 S * 10/2014 Kim D14/126
D716,243 S * 10/2014 Kim D14/126
D750,583 S * 3/2016 Lee D14/126
D756,318 S * 5/2016 Kim D14/126
D784,940 S * 4/2017 Lee D14/126
D787,462 S * 5/2017 Shiono D14/126
D796,464 S * 9/2017 Kim D14/126

* cited by examiner

Primary Examiner — George D Kirschbaum

(74) *Attorney, Agent, or Firm* — Birch, Stewart, Kolasch & Birch, LLP

(57) **CLAIM**

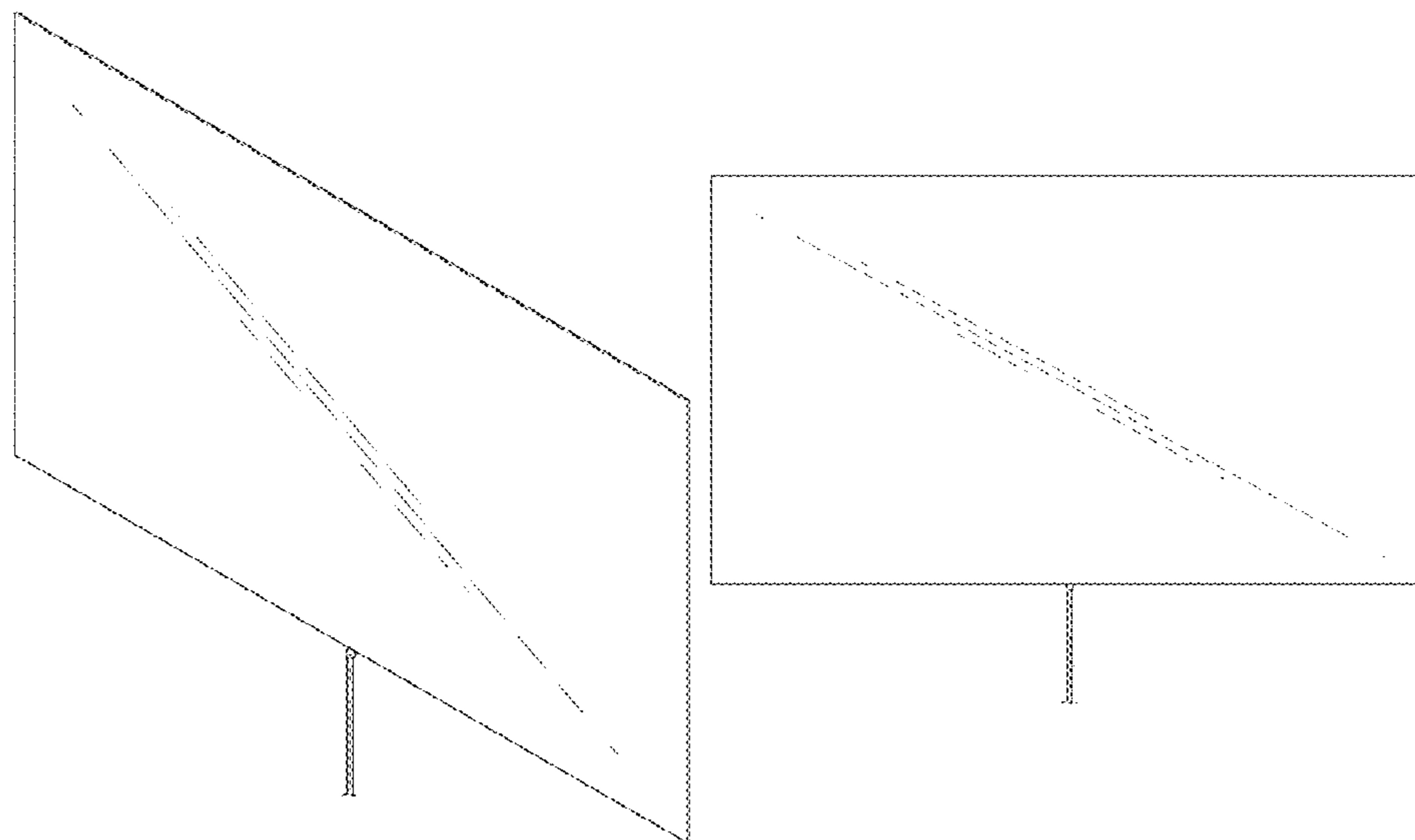
The ornamental design for a TV receiver, as shown and described.

DESCRIPTION

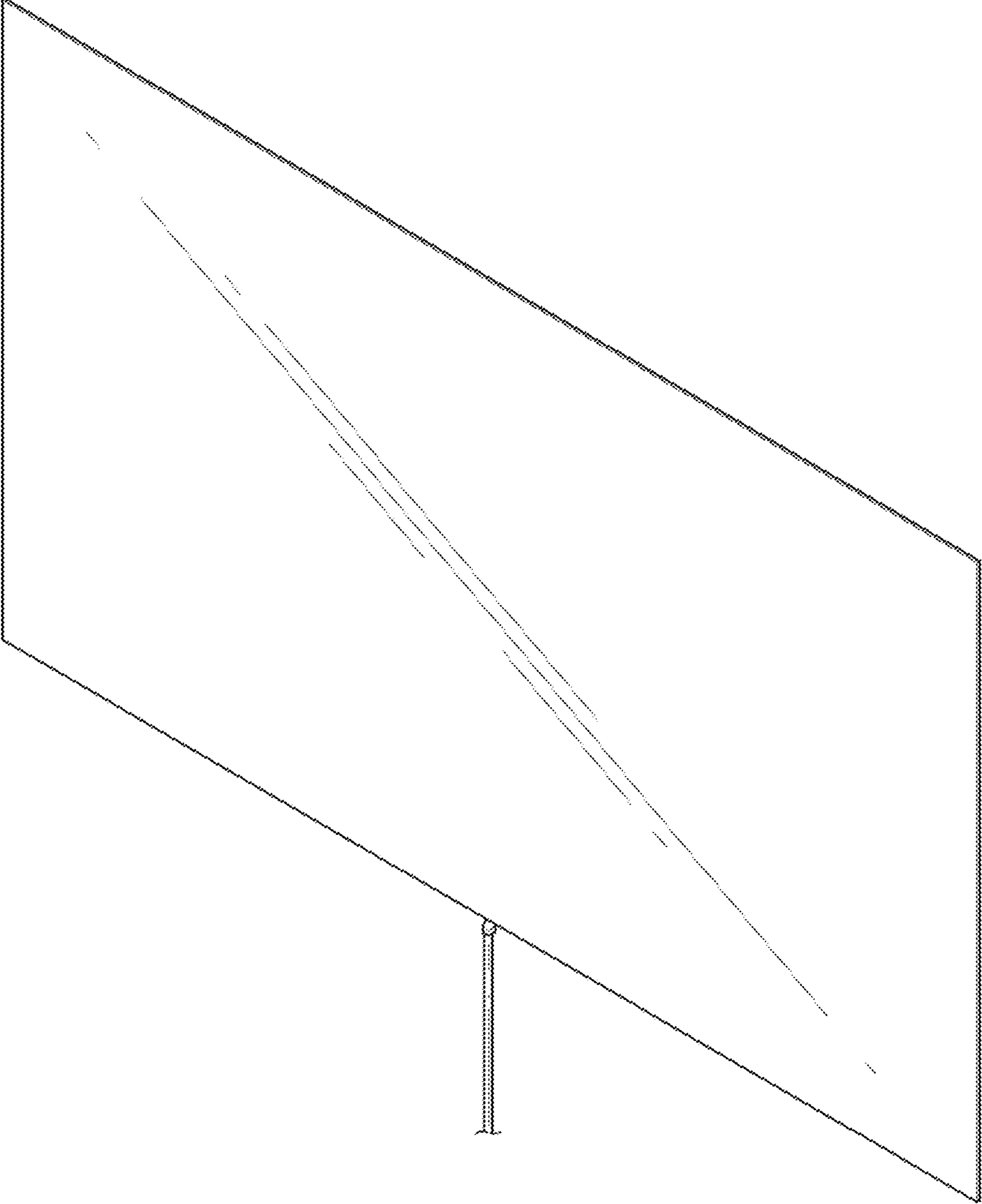
- 1. TV receiver
- 1.1 : Perspective
- 1.2 : Rear perspective view
- 1.3 : Front
- 1.4 : Back
- 1.5 : Left
- 1.6 : Right
- 1.7 : Top
- 1.8 : Bottom
- 1.9 : Enlarged
- 1.10 : Reference
- 1.11 : Reference

In view 1.11, the bottommost bent portion of the thin, flat rod connecting the TV screen to the AV box (shown in broken lines), and which is not shown in the remaining views, forms no part of the claimed design; in views 1.1-1.6 and 1.10, the curvy line at the bottommost point of the TV receiver forms no part of the claimed design.

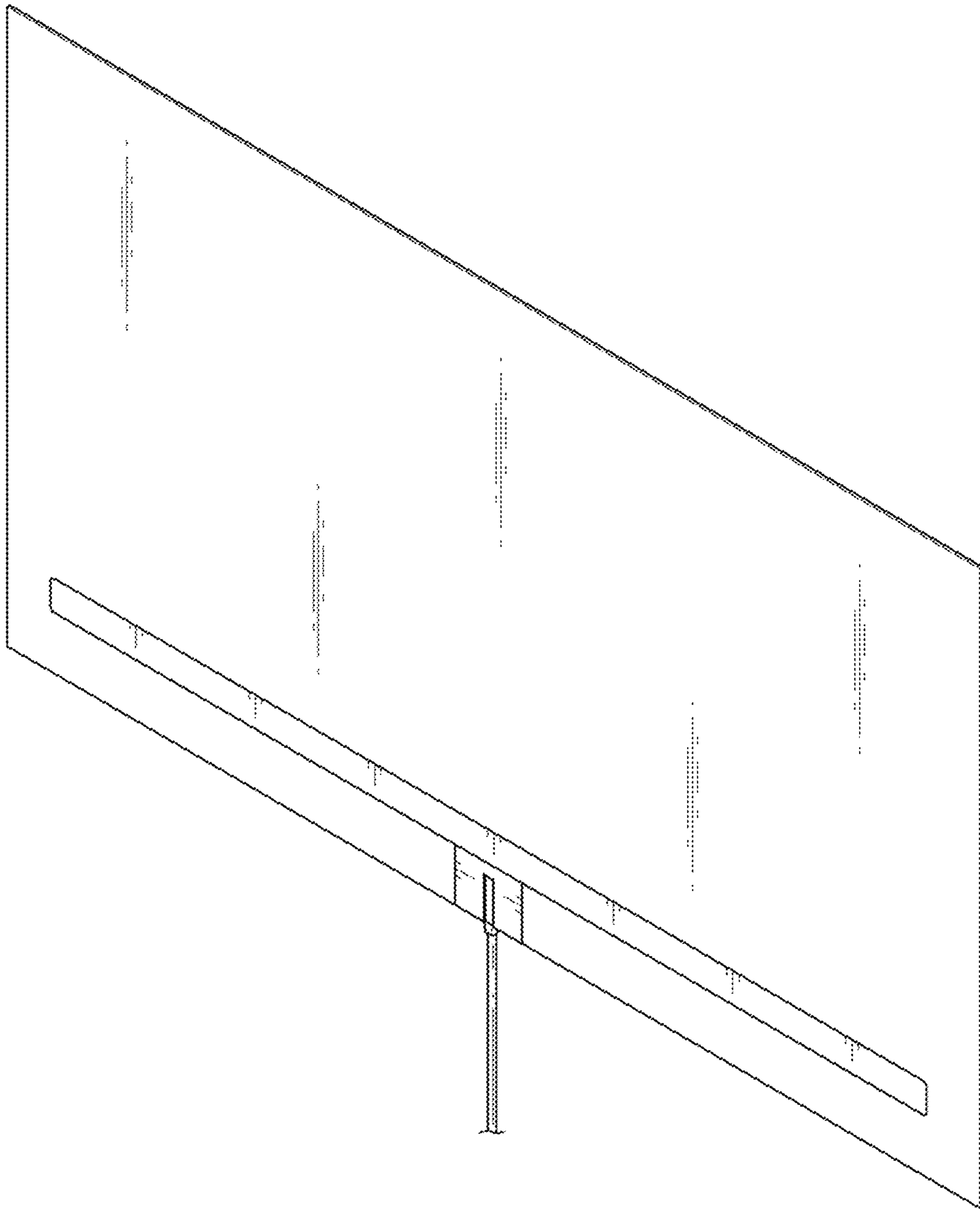
1 Claim, 11 Drawing Sheets



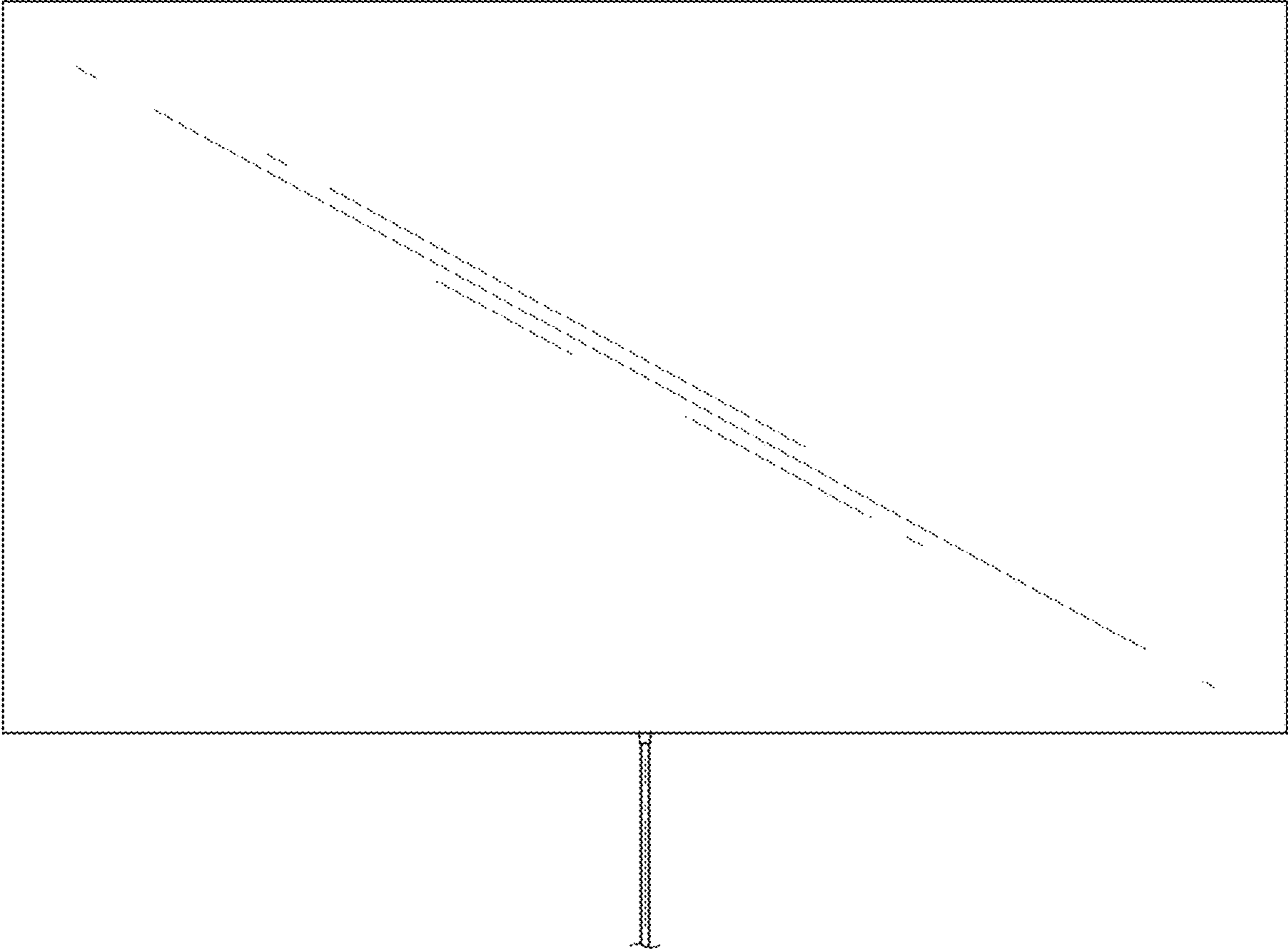
1.1



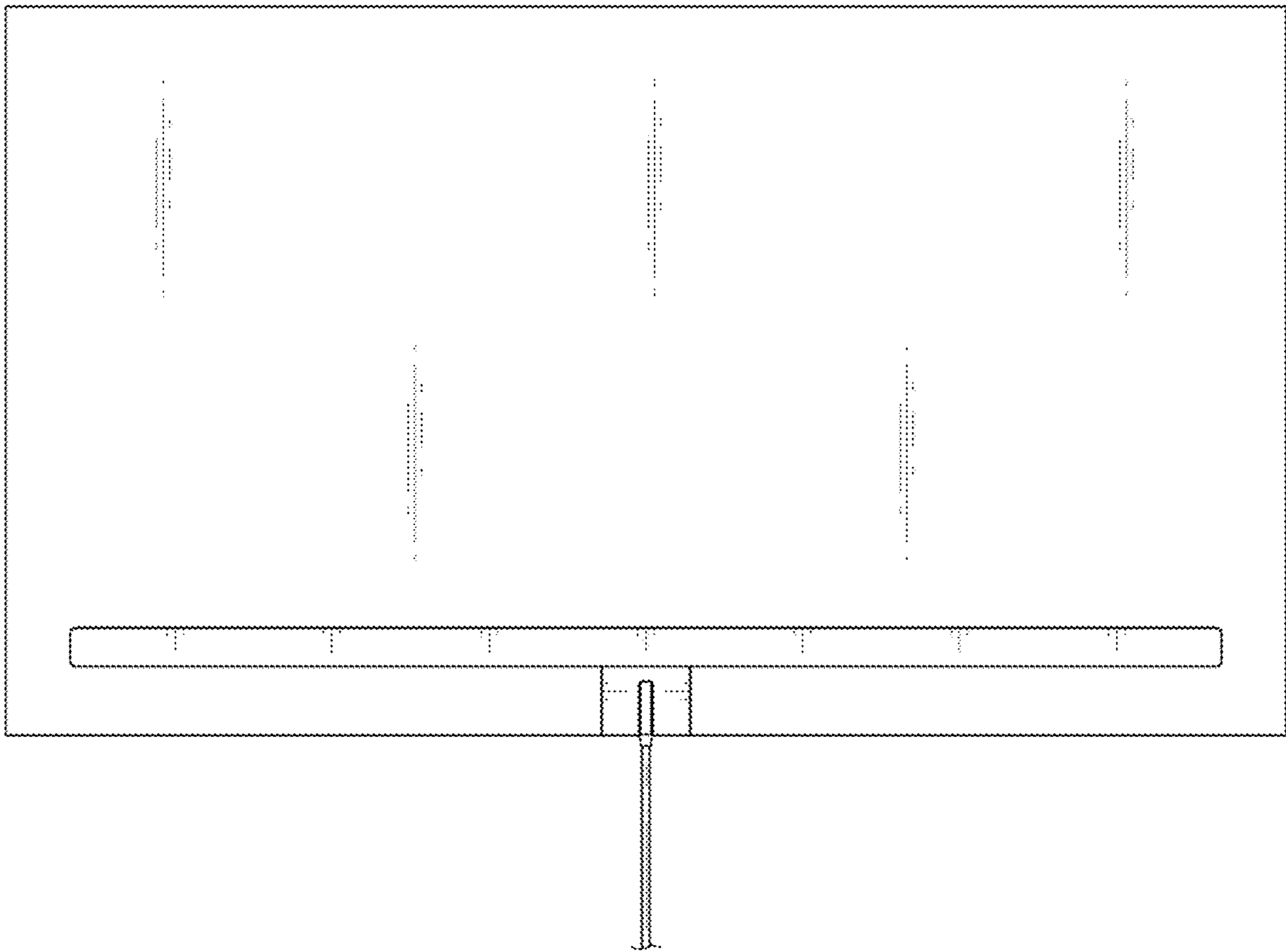
1.2



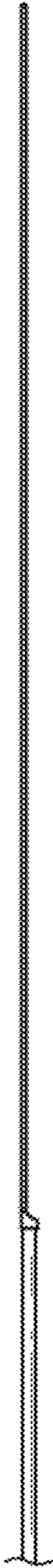
1.3



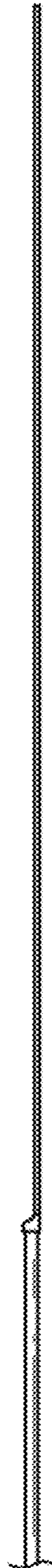
1.4



1.5



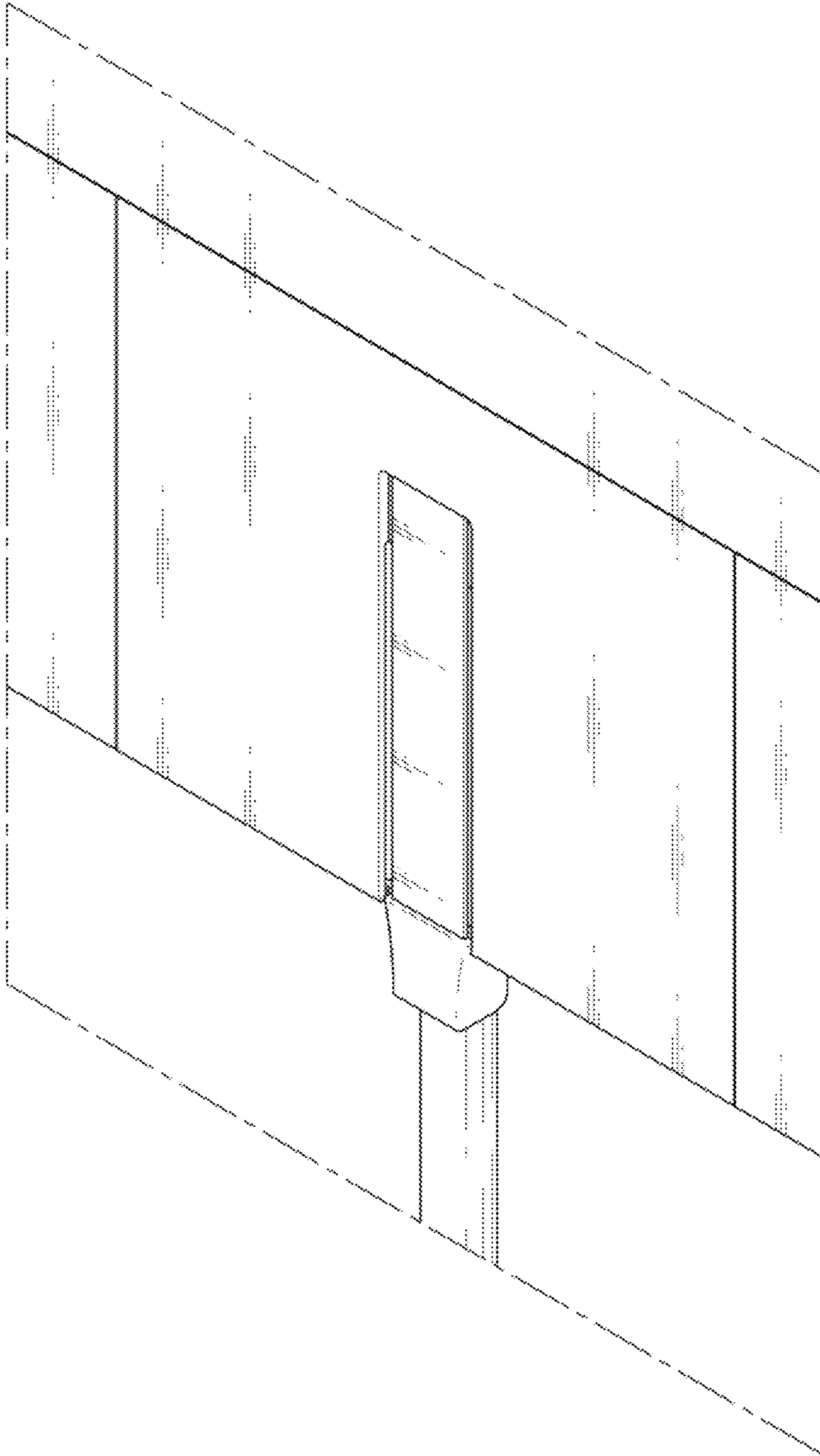
1.6



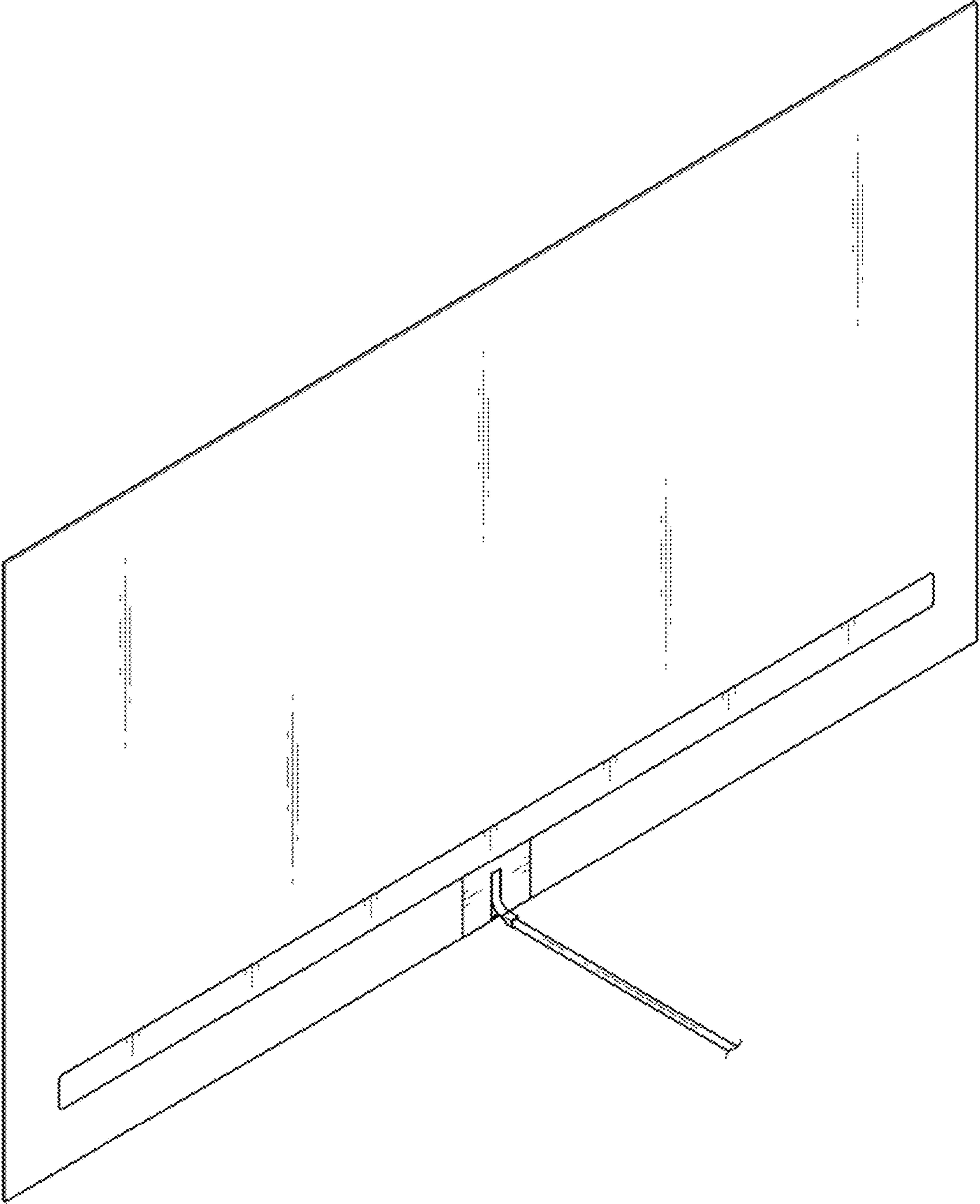
1.7

1.8

1.9



1.10



1.11

