



US00D810035S

(12) **United States Design Patent**
Song

(10) **Patent No.:** **US D810,035 S**

(45) **Date of Patent:** **** Feb. 13, 2018**

(54) **LED COMPONENT**

(71) Applicant: **Kingbright Electronic Co., Ltd.**, New Taipei (TW)

(72) Inventor: **Wen-Joe Song**, New Taipei (TW)

(73) Assignee: **KINGBRIGHT ELECTRONICS CO. LTD.** (TW)

(**) Term: **15 Years**

(21) Appl. No.: **29/596,673**

(22) Filed: **Mar. 10, 2017**

(51) **LOC (11) Cl.** **13-03**

(52) **U.S. Cl.**
USPC **D13/180**

(58) **Field of Classification Search**
USPC D13/180; D26/1
CPC ... H01L 25/167; H01L 25/0753; H01L 27/15;
H01L 27/156; H01L 31/02; H01L 33/00;
H01L 33/04; H01L 33/08; H01L 33/10;
H01L 33/20; H01L 33/38; H01L 33/42;
H01L 33/48; H01L 33/62; H01L 33/483;
H01L 33/486; F21K 9/00; F21K 9/30;
F21K 9/54

See application file for complete search history.

(56) **References Cited**

U.S. PATENT DOCUMENTS

D562,782 S *	2/2008	Son	D13/180
D576,965 S *	9/2008	Takine	D13/180
D576,969 S *	9/2008	Takine	D13/180
D581,884 S *	12/2008	Yen	D13/180
D634,718 S *	3/2011	Chuang	D13/180
D663,703 S *	7/2012	Kobayakawa	D13/180

D672,733 S *	12/2012	Lee	D13/180
D718,725 S *	12/2014	Reiherzer	D13/180
D724,549 S *	3/2015	Song	D13/180
D724,550 S *	3/2015	Song	D13/180
D746,240 S *	12/2015	Bergmann	D13/180
D758,977 S *	6/2016	Song	D13/180
2006/0103302 A1 *	5/2006	Tanaka	B29C 33/0055 313/512
2012/0126269 A1 *	5/2012	Tanuma	H01L 33/58 257/98
2015/0179903 A1 *	6/2015	Pun	H01L 33/54 257/88

* cited by examiner

Primary Examiner — Selina Sikder

(74) *Attorney, Agent, or Firm* — Roger H. Chu

(57) **CLAIM**

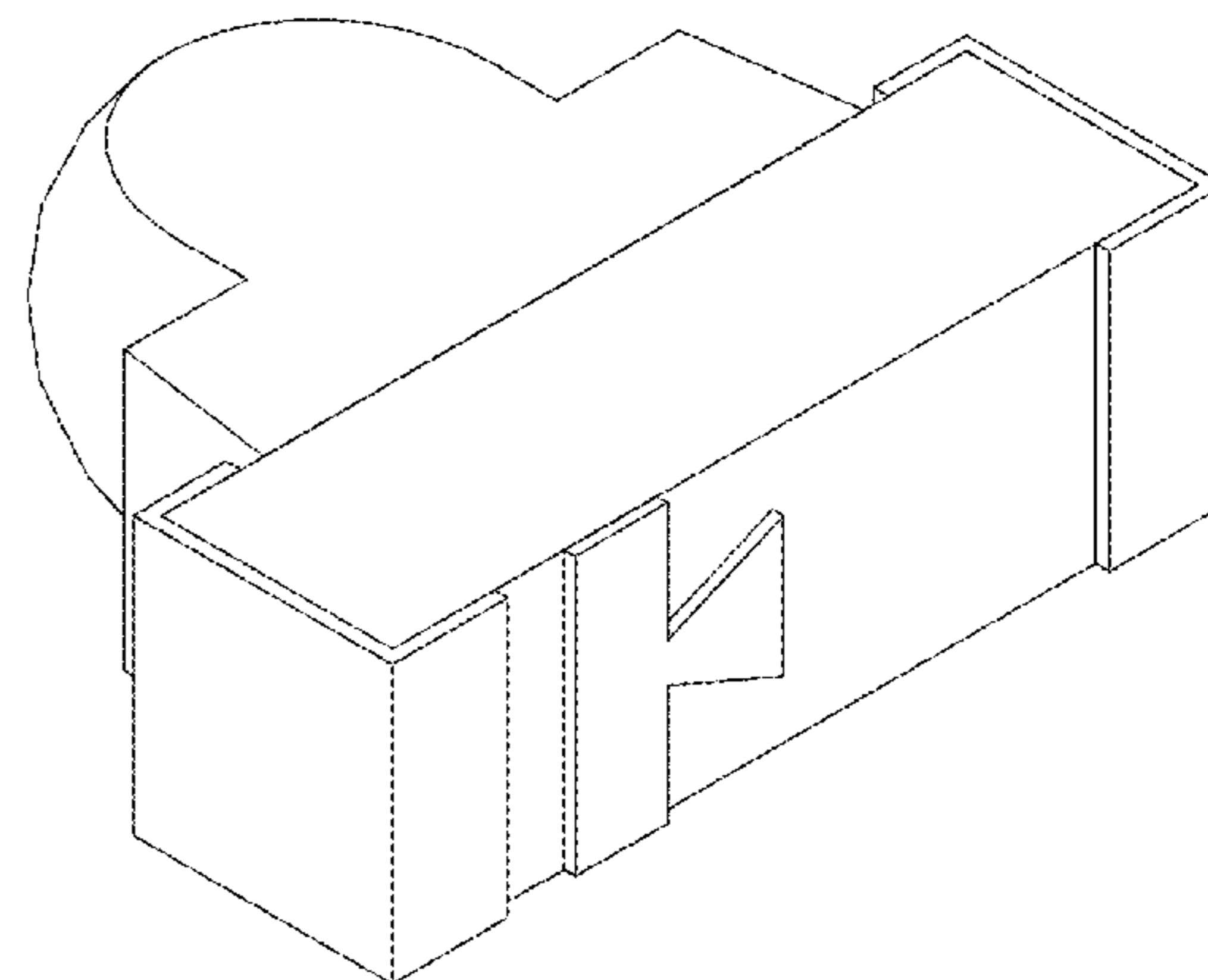
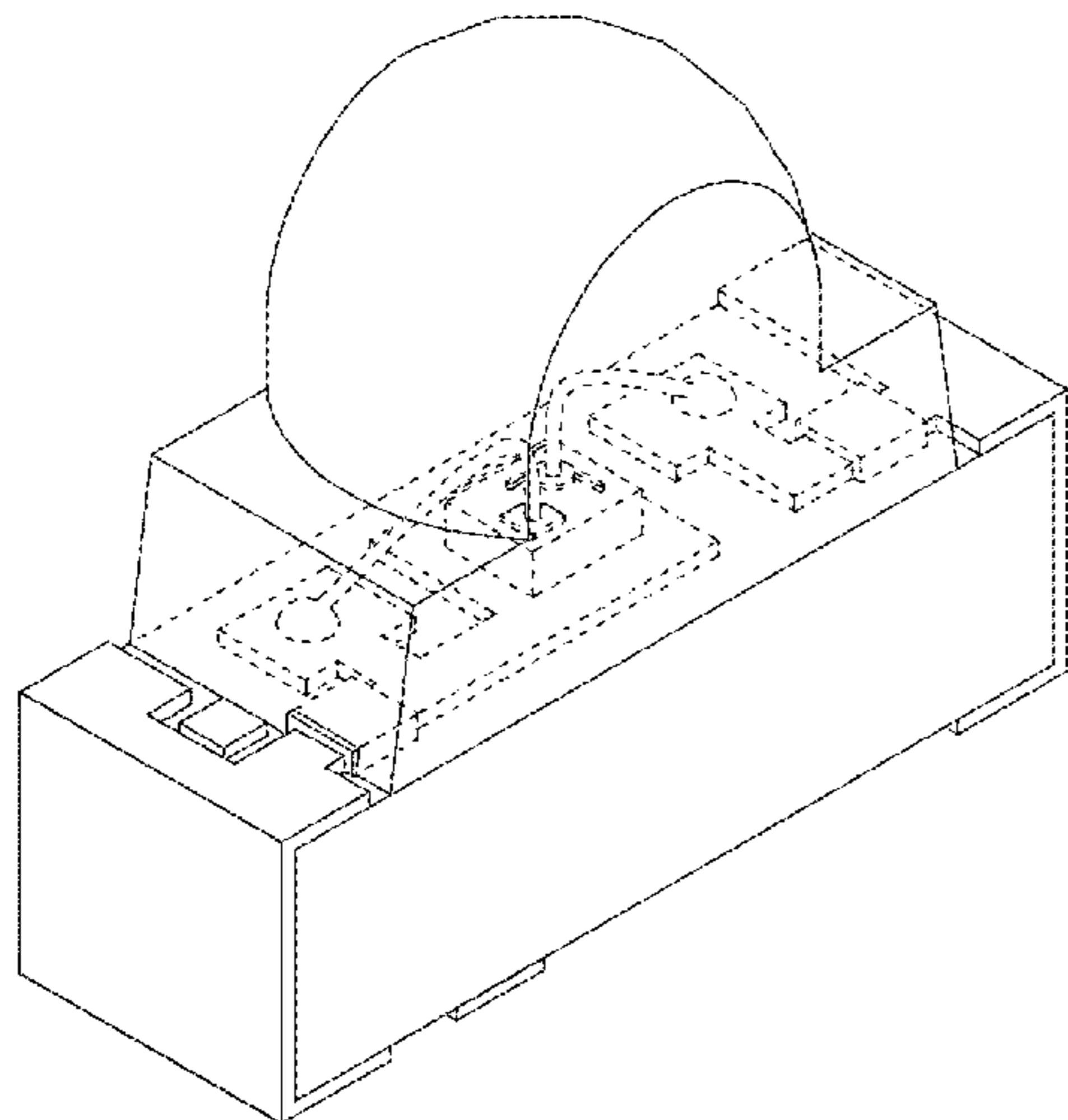
The ornamental design for an LED component, as shown and described.

DESCRIPTION

FIG. 1 is a top, front and left side perspective view of an LED component showing my design;
FIG. 2 is a front elevation view thereof;
FIG. 3 is a rear elevation view thereof
FIG. 4 is a left side elevation view thereof
FIG. 5 is a right side elevation view thereof;
FIG. 6 is a top plan view thereof;
FIG. 7 is a bottom plan view thereof; and,
FIG. 8 is a bottom, front and right side perspective view thereof.

The broken line showing in the embodiments of FIGS. 1-8 are for illustrative purposes only and forms no part of the claimed design. The top layer can be visually transparent or translucent as shown in the embodiments of FIGS. 1-8.

1 Claim, 8 Drawing Sheets



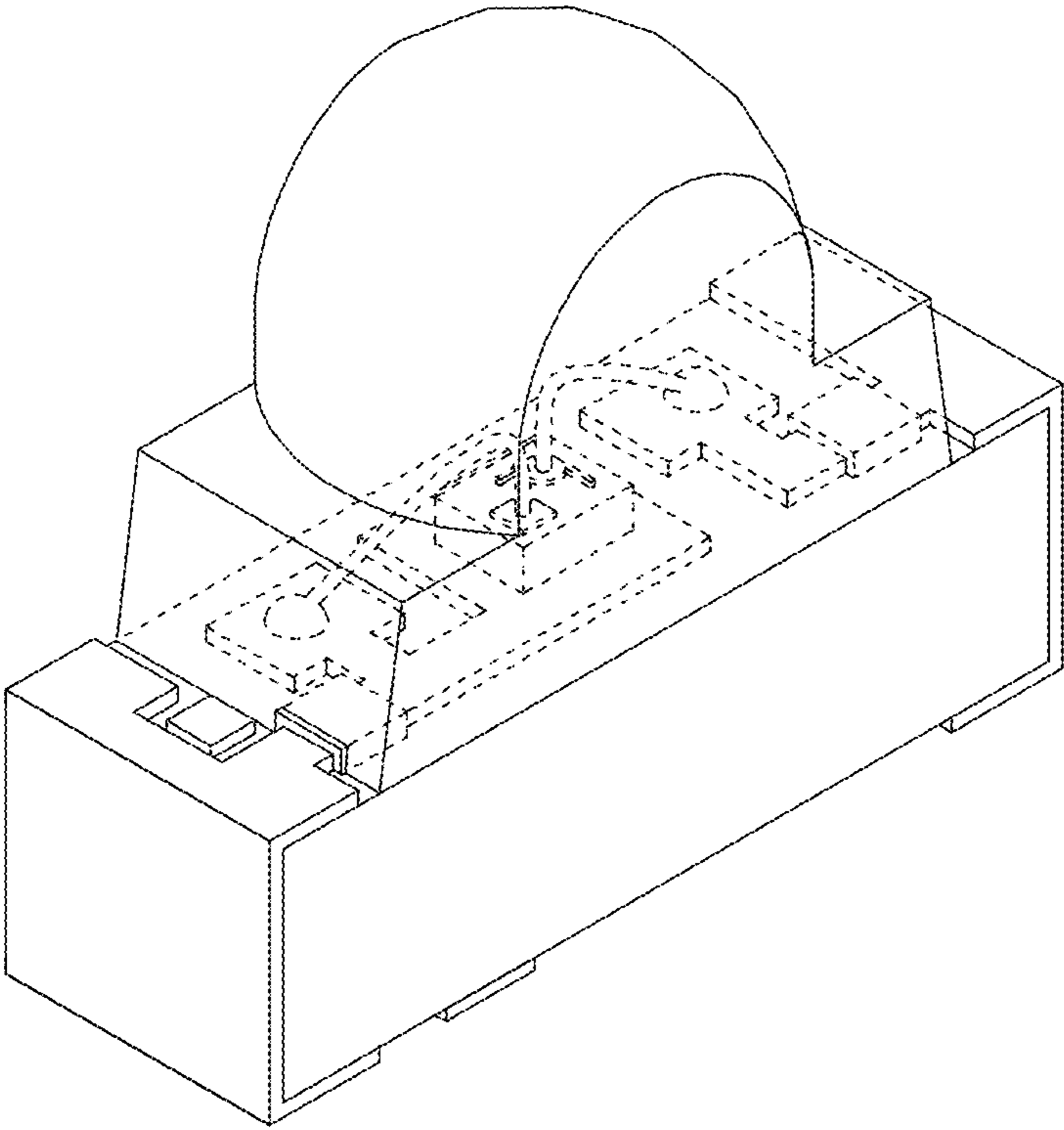


FIG. 1

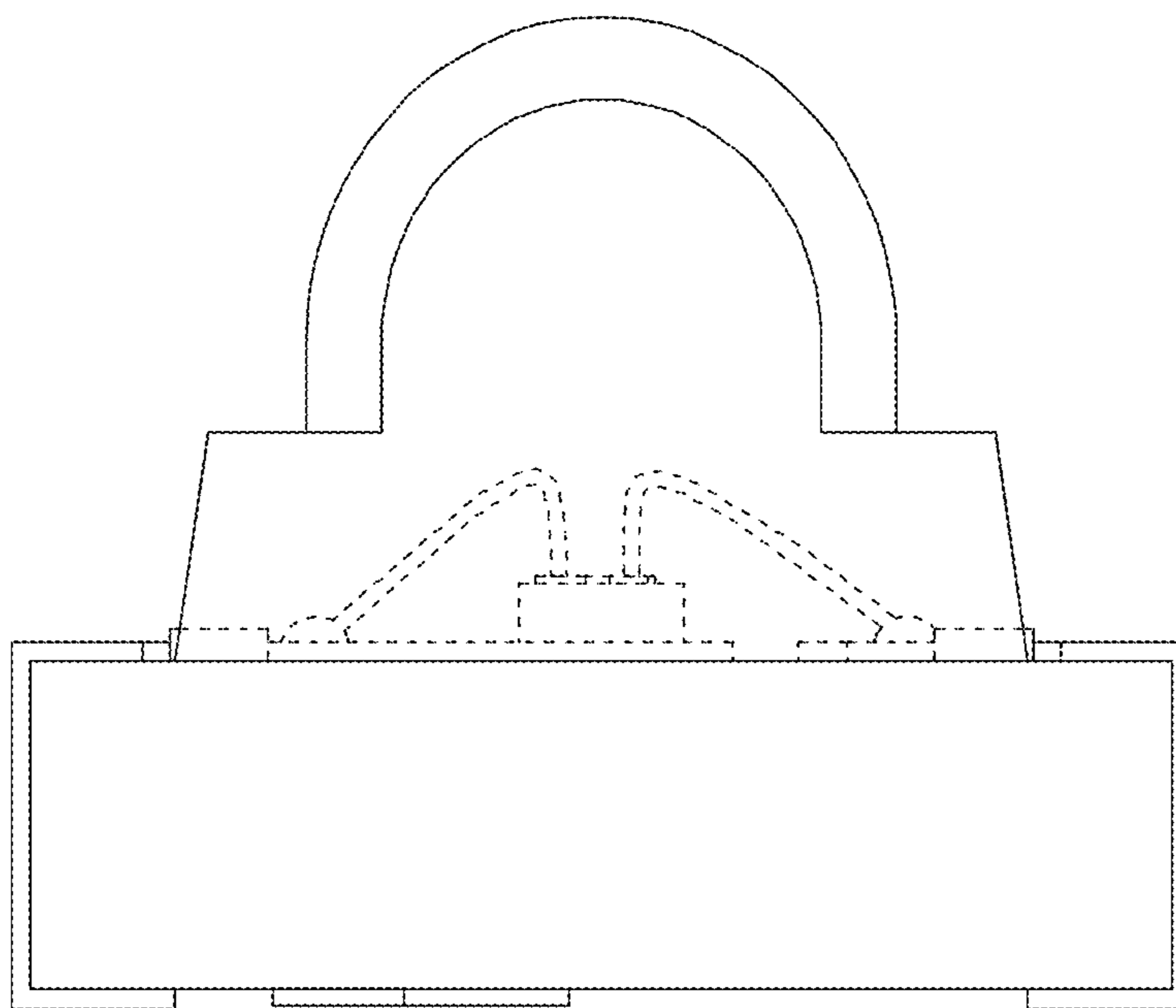


FIG. 2

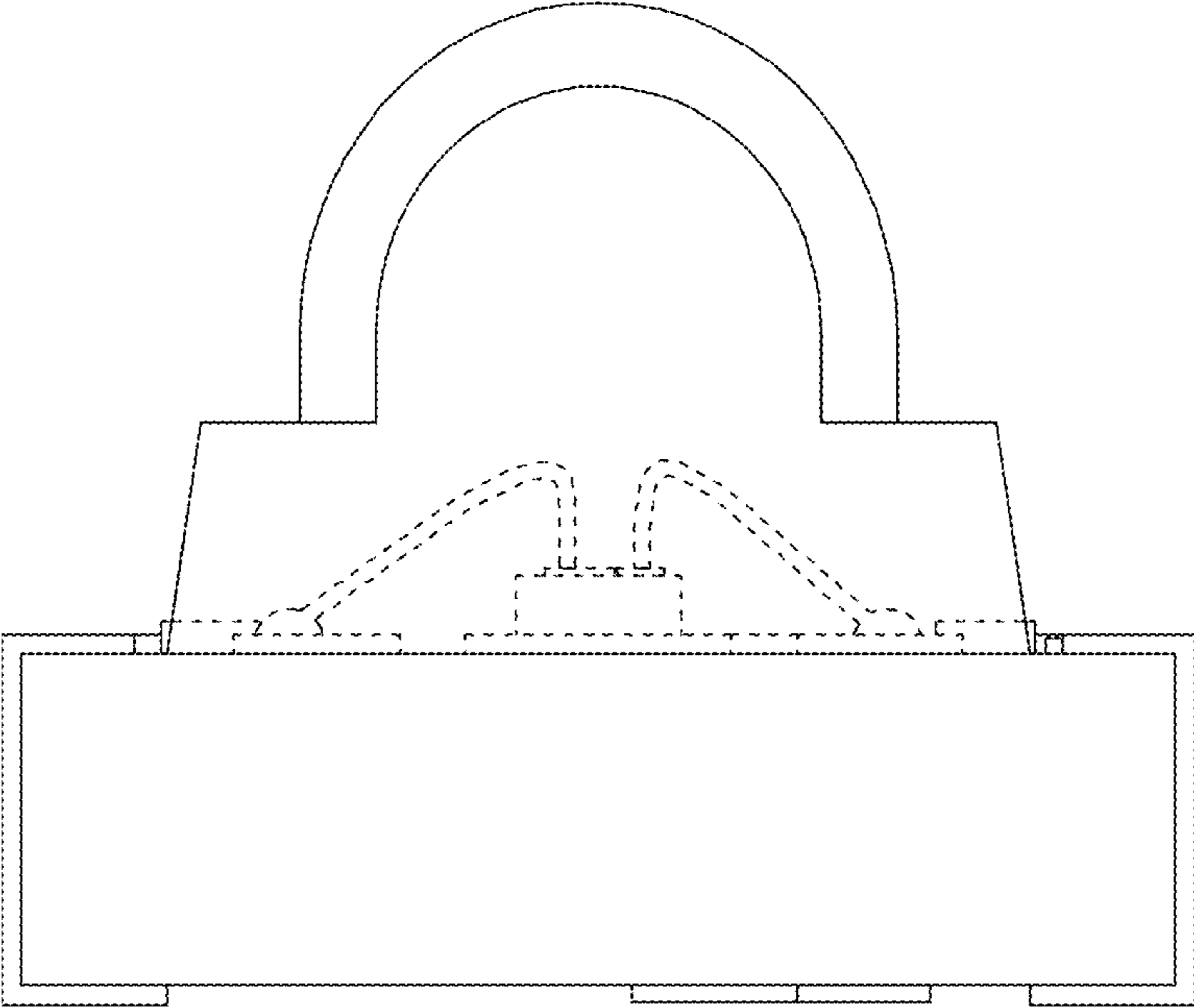


FIG. 3

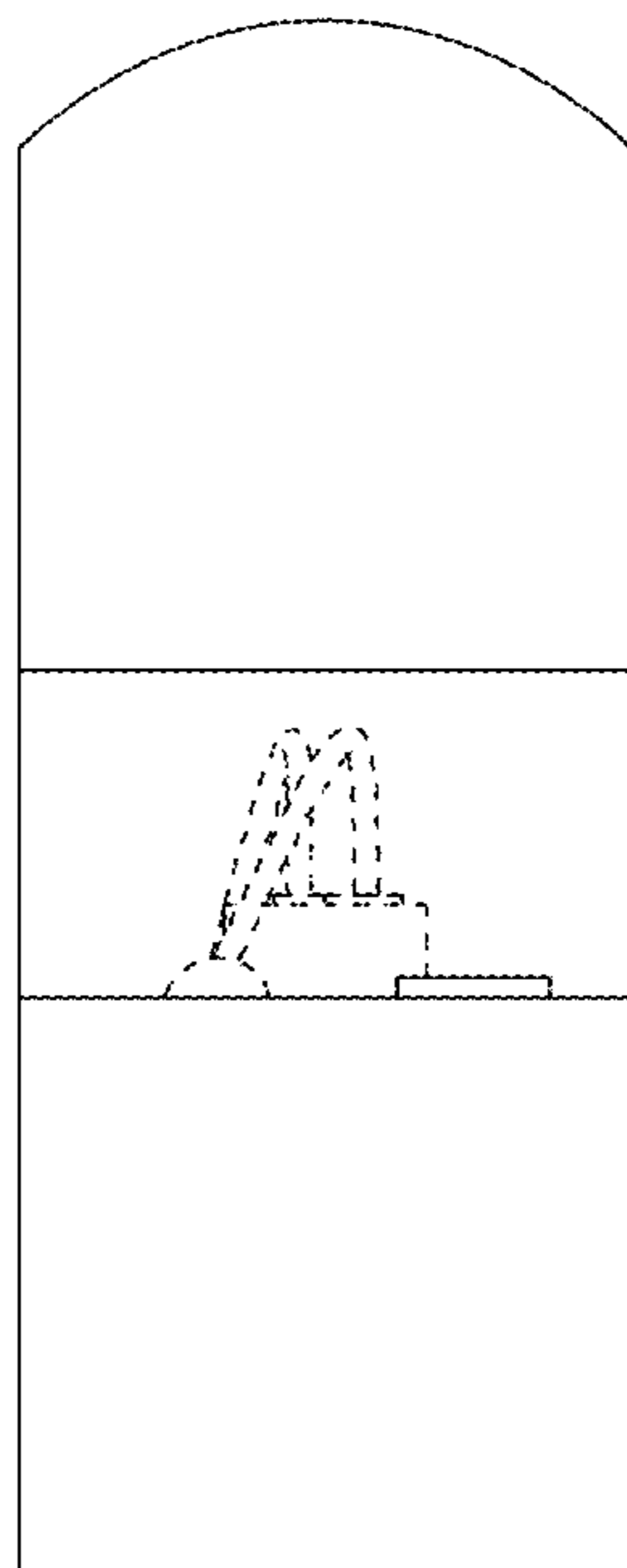


FIG. 4

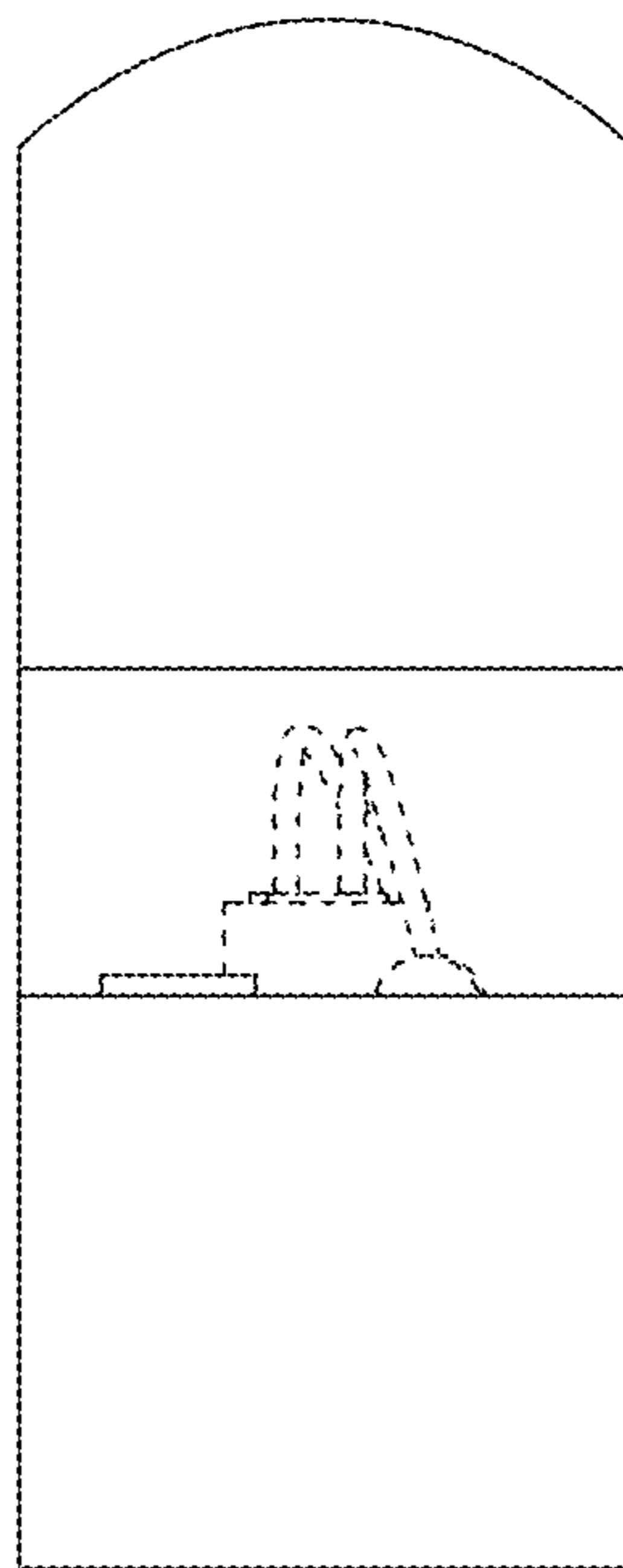


FIG. 5

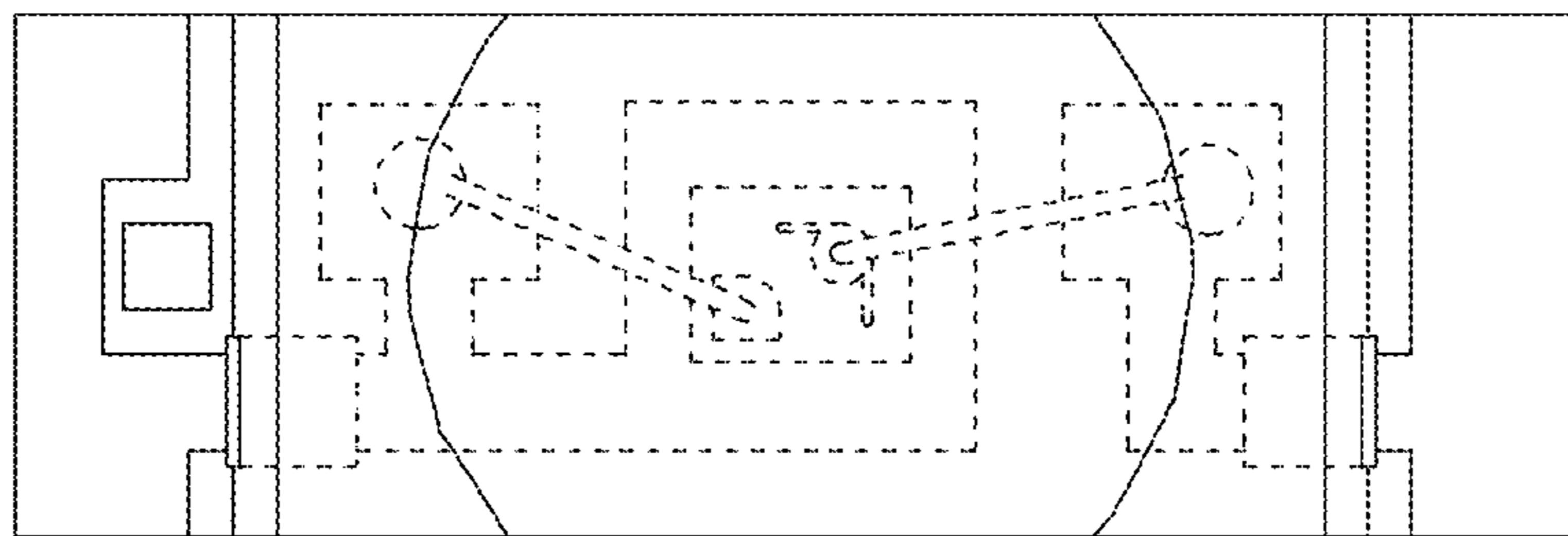


FIG. 6

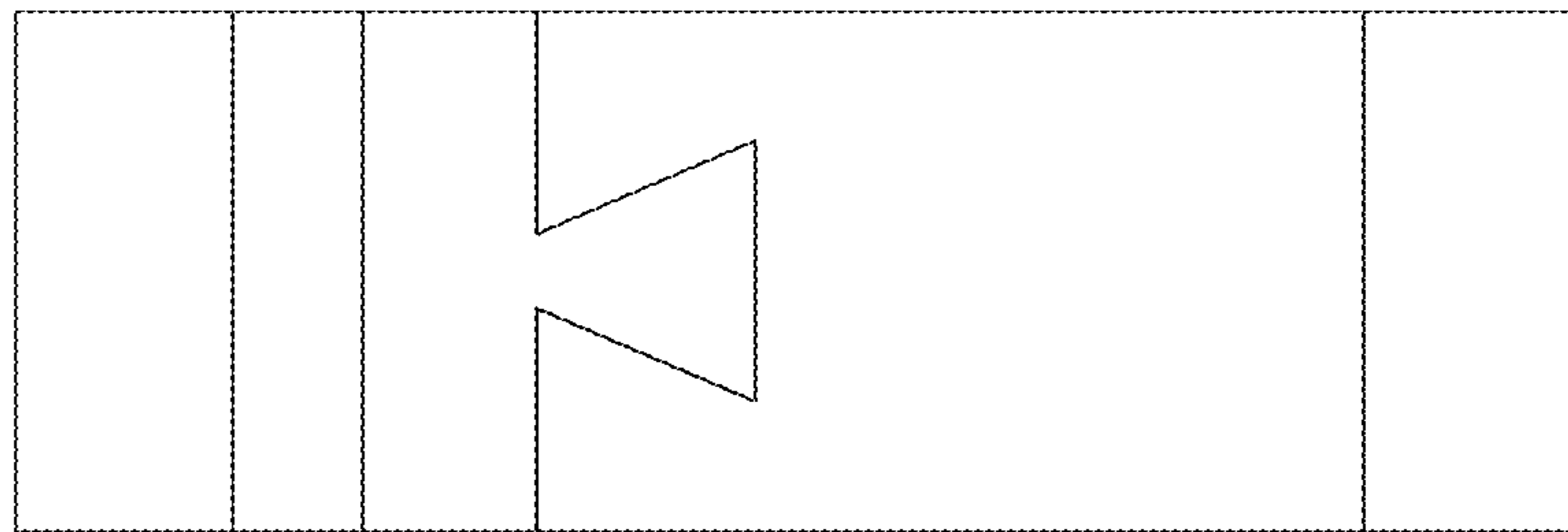


FIG. 7

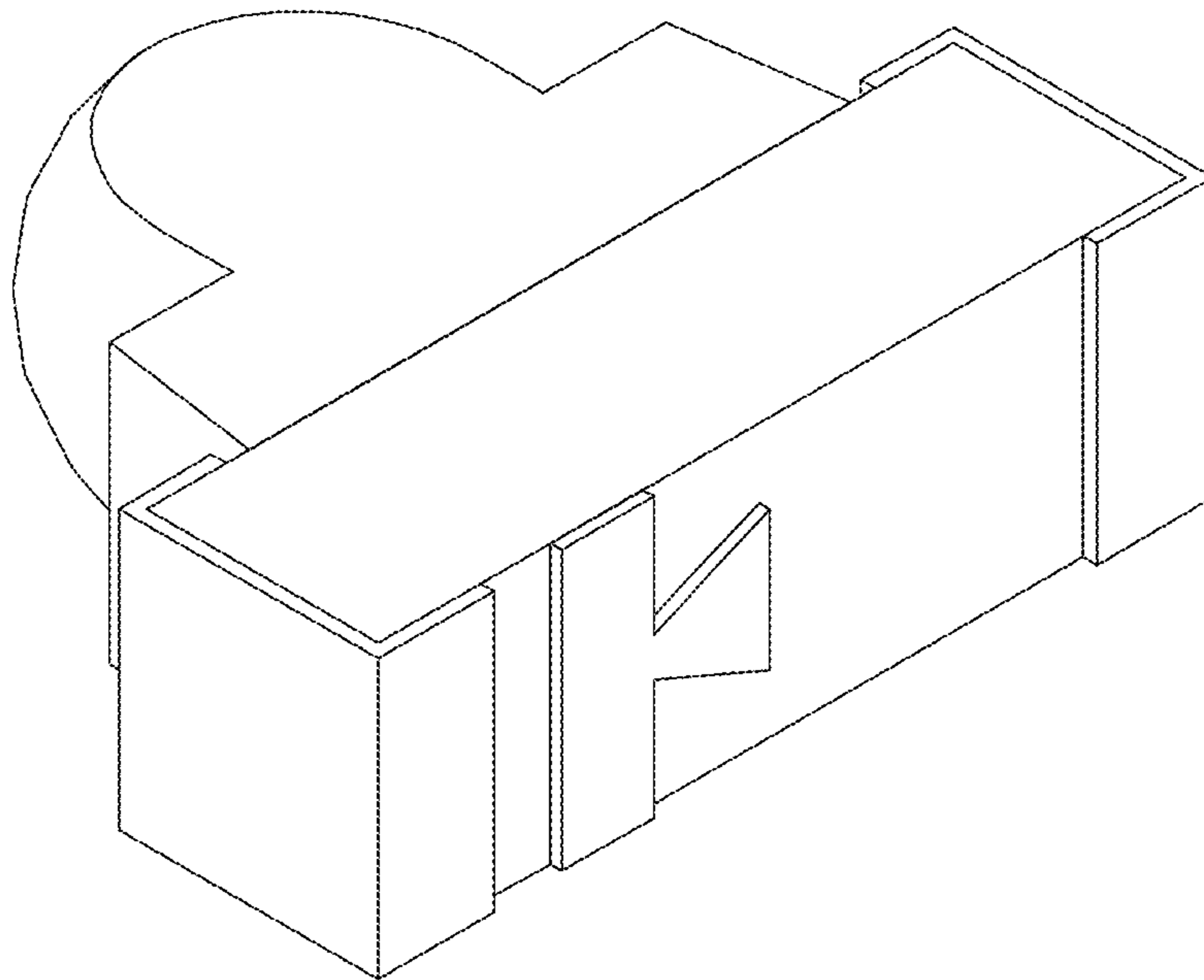


FIG. 8