



US00D810033S

(12) **United States Design Patent**
Otsuka et al.

(10) **Patent No.:** **US D810,033 S**
(45) **Date of Patent:** **** Feb. 13, 2018**

(54) **MAIN BODY OF PUSH SWITCH**
(71) Applicant: **OMRON Corporation**, Kyoto-shi,
Kyoto (JP)
(72) Inventors: **Hiroyuki Otsuka**, Okayama (JP);
Kazuaki Morita, Izumo (JP); **Shinya**
Katsube, Okayama (JP)
(73) Assignee: **OMRON Corporation**, Kyoto-shi (JP)
(**) Term: **15 Years**

2011/0315533 A1* 12/2011 Chu H01H 13/023
200/345
2012/0048707 A1* 3/2012 Nakamura H01H 13/14
200/517
2013/0126322 A1* 5/2013 Heiskanen H01H 13/14
200/341
2014/0097073 A1* 4/2014 Kikuchi H01H 13/14
200/512
2016/0064158 A1* 3/2016 Nakase H01H 13/14
200/275
2016/0064163 A1* 3/2016 Chu H01H 13/023
200/314
2016/0111231 A1* 4/2016 Choi H01H 13/14
200/344

(21) Appl. No.: **29/586,518**

* cited by examiner

(22) Filed: **Dec. 5, 2016**

Primary Examiner — Selina Sikder

(30) **Foreign Application Priority Data**

(74) *Attorney, Agent, or Firm* — Sterne, Kessler,
Goldstein & Fox P.L.L.C.

Jun. 14, 2016 (JP) 2016-012731

(51) **LOC (11) Cl.** **13-03**

(52) **U.S. Cl.**
USPC **D13/173; D13/158**

(58) **Field of Classification Search**
USPC D13/158, 162, 171, 173, 184
CPC H01H 1/20; H01H 3/3042; H01H 13/04;
H01H 13/14

See application file for complete search history.

(57) **CLAIM**

The ornamental design for a main body of push switch, as shown and described.

DESCRIPTION

FIG. 1 is a perspective view of a main body of push switch showing the claimed design;
FIG. 2 is a front view thereof;
FIG. 3 is a rear view thereof;
FIG. 4 is a left side view thereof;
FIG. 5 is a right side view thereof;
FIG. 6 is a top view thereof; and,
FIG. 7 is a bottom view thereof.

The dashed broken lines in the figures show portions of the main body of push switch that form no part of the claimed design.

(56) **References Cited**

U.S. PATENT DOCUMENTS

D387,453 S * 12/1997 Protzek D26/39
D493,907 S * 8/2004 Benensohn D26/89
D650,760 S * 12/2011 Hussell D13/180
D658,603 S * 5/2012 Egawa D13/180
D689,451 S * 9/2013 Shimonishi D13/180
D724,462 S * 3/2015 Bould D10/106.2

1 Claim, 5 Drawing Sheets

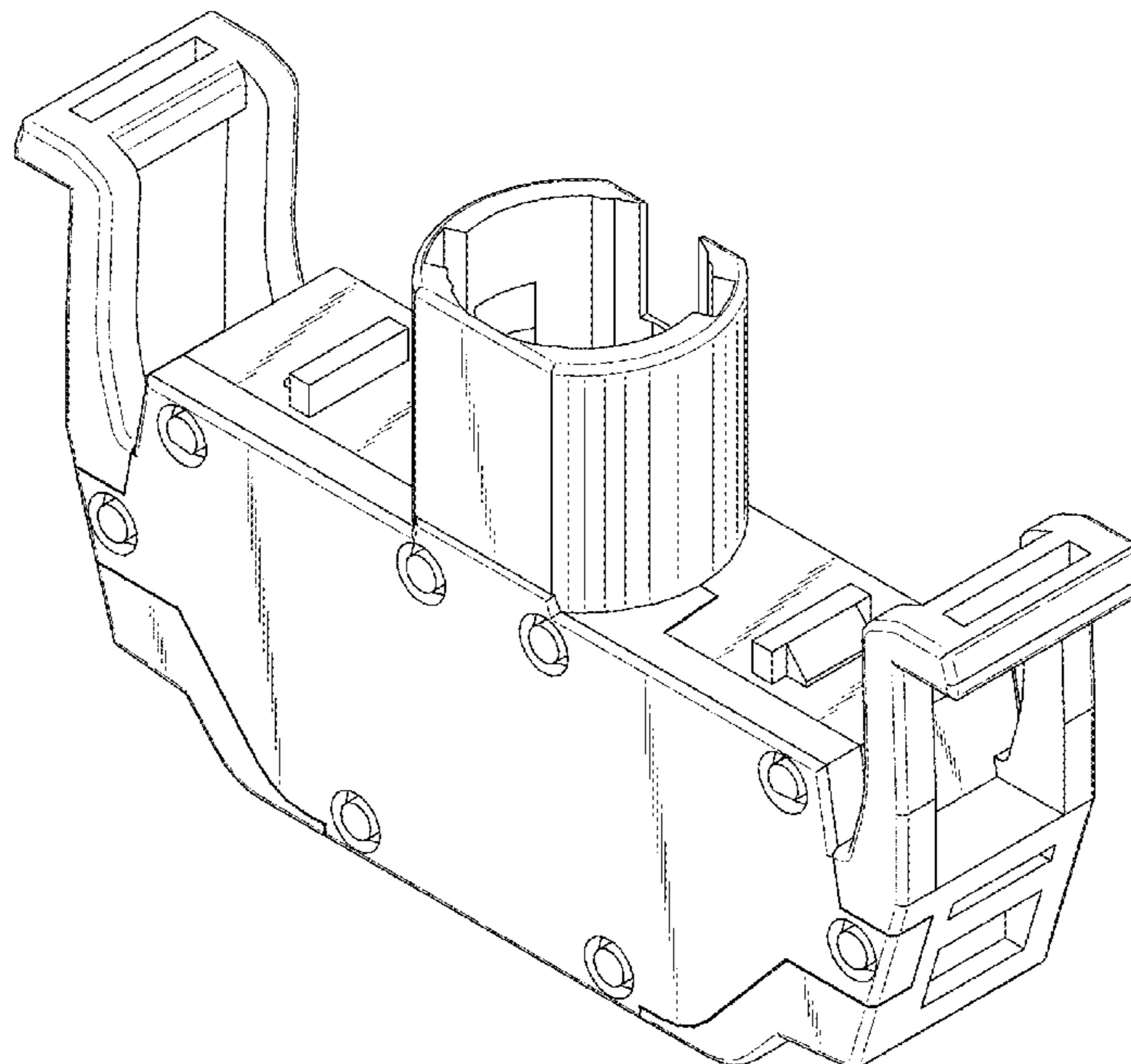


Fig. 1

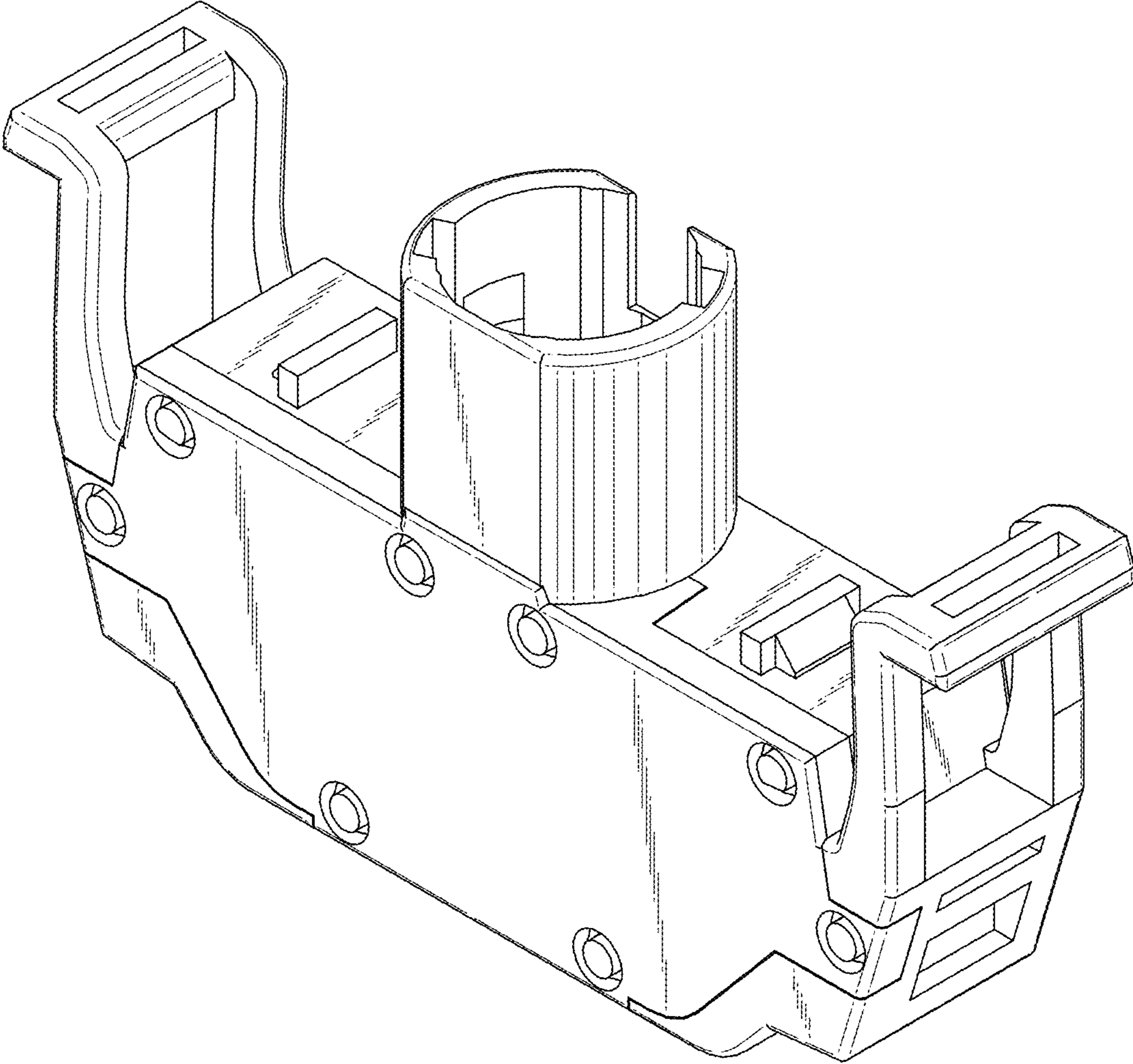


Fig. 2

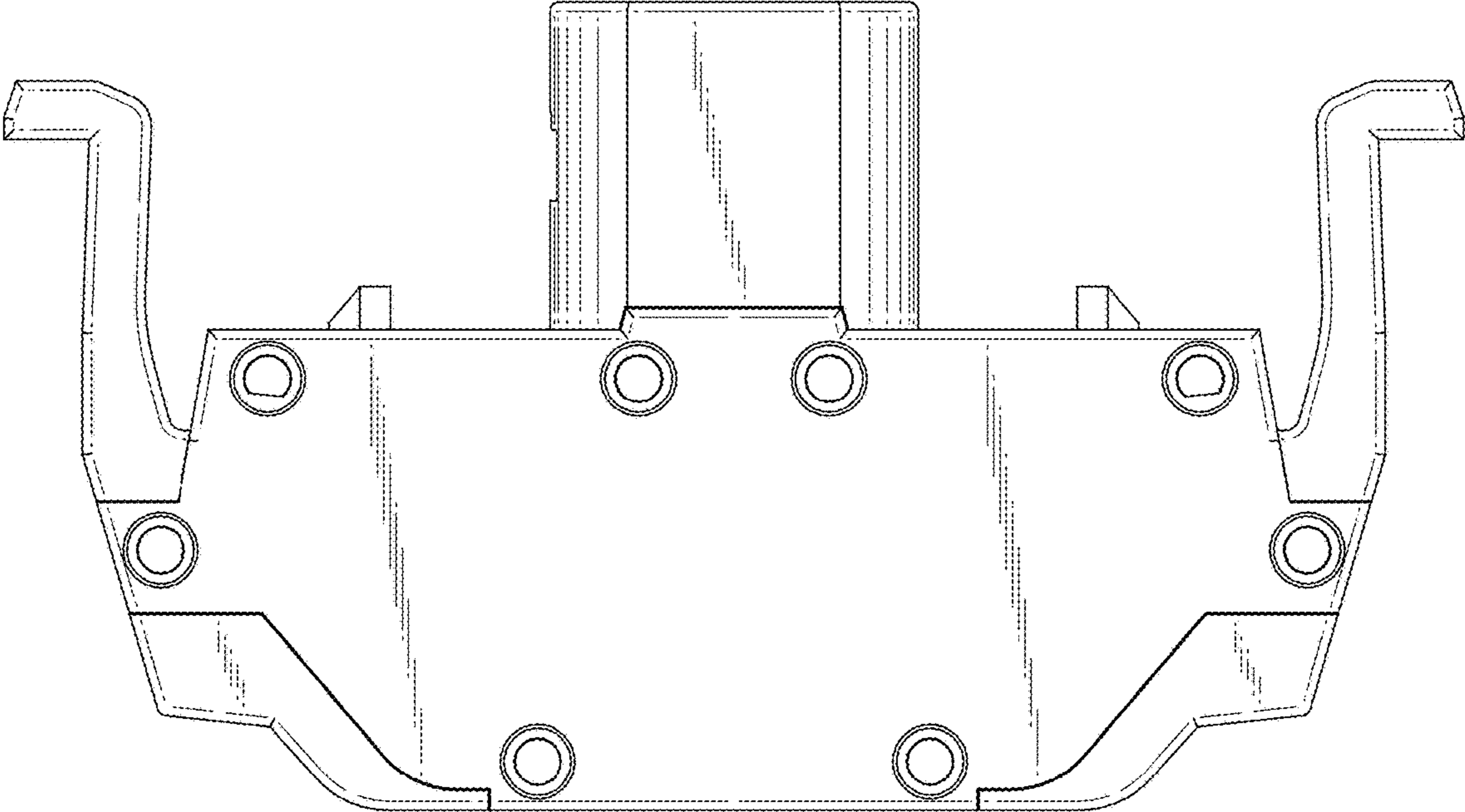


Fig. 3

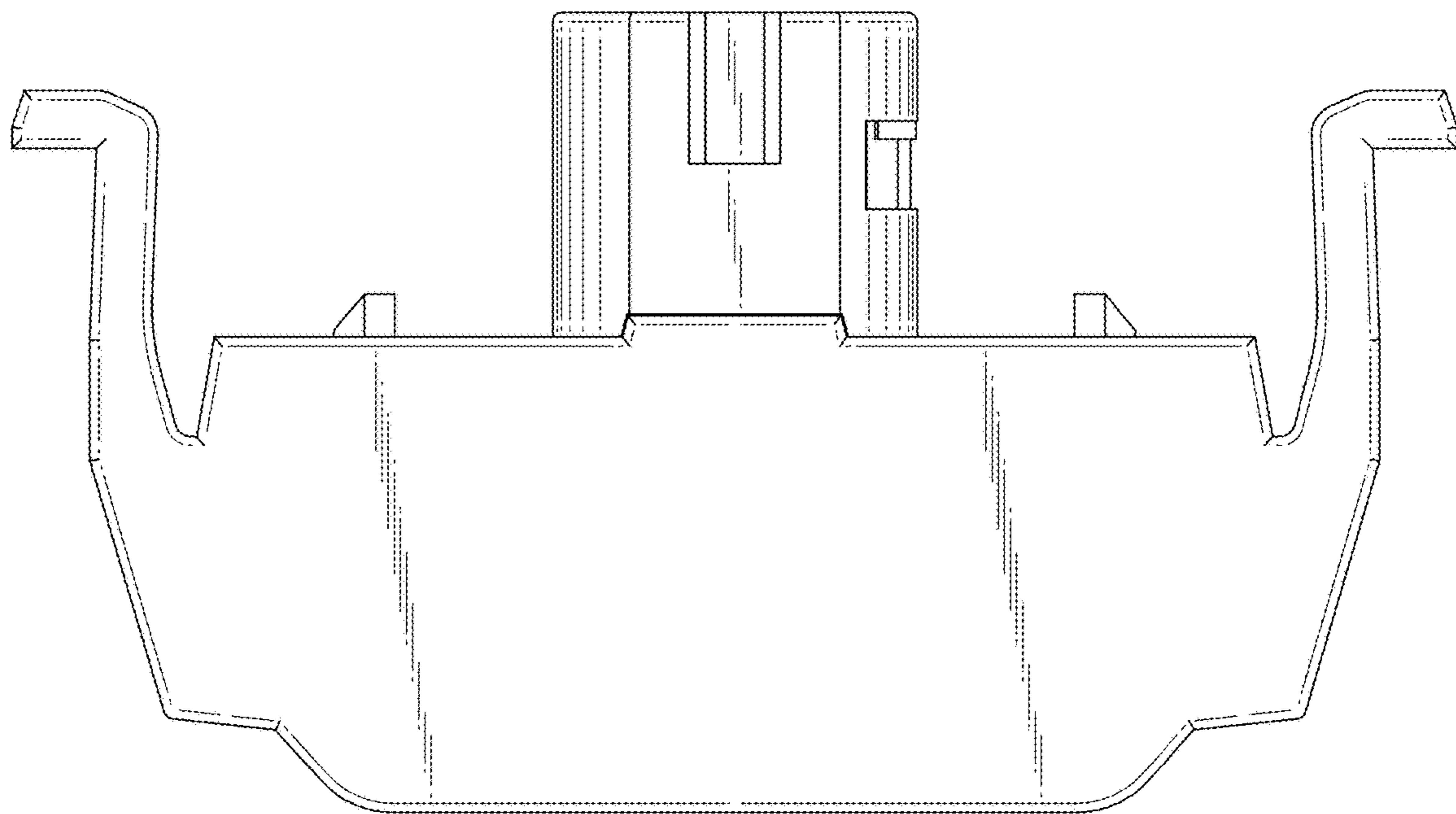


Fig. 4

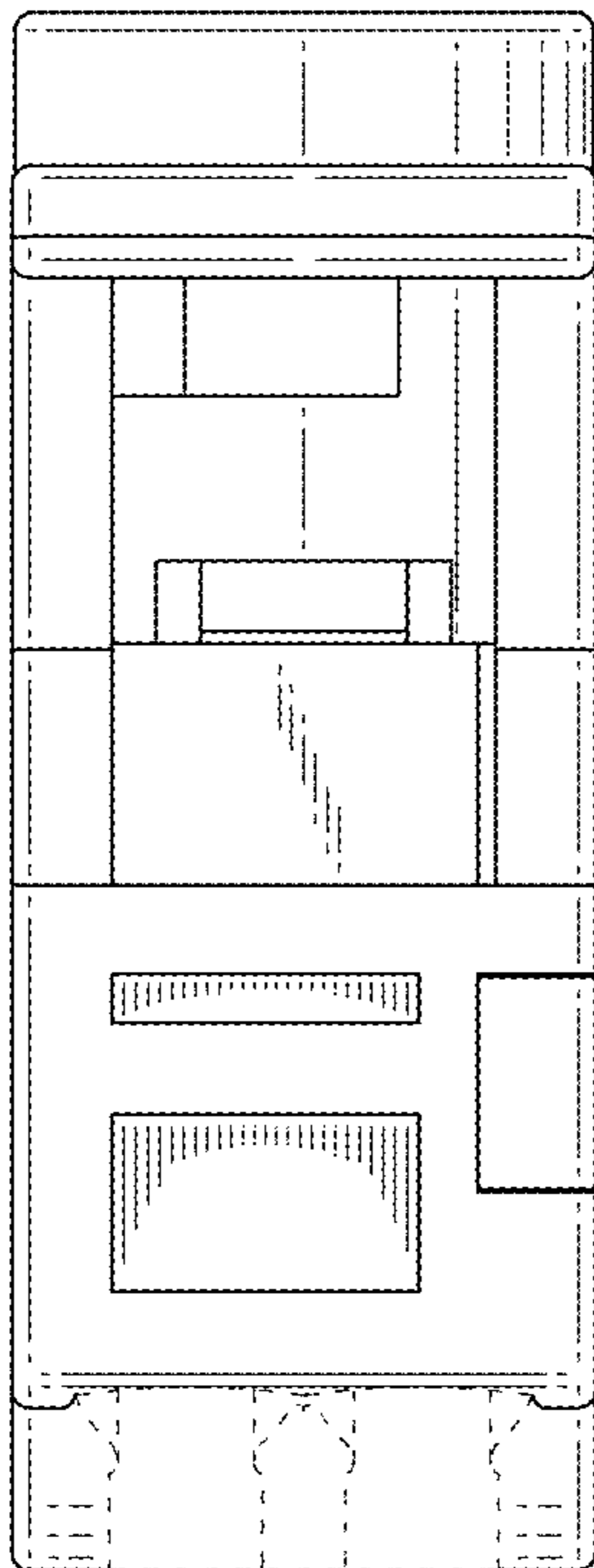


Fig. 5

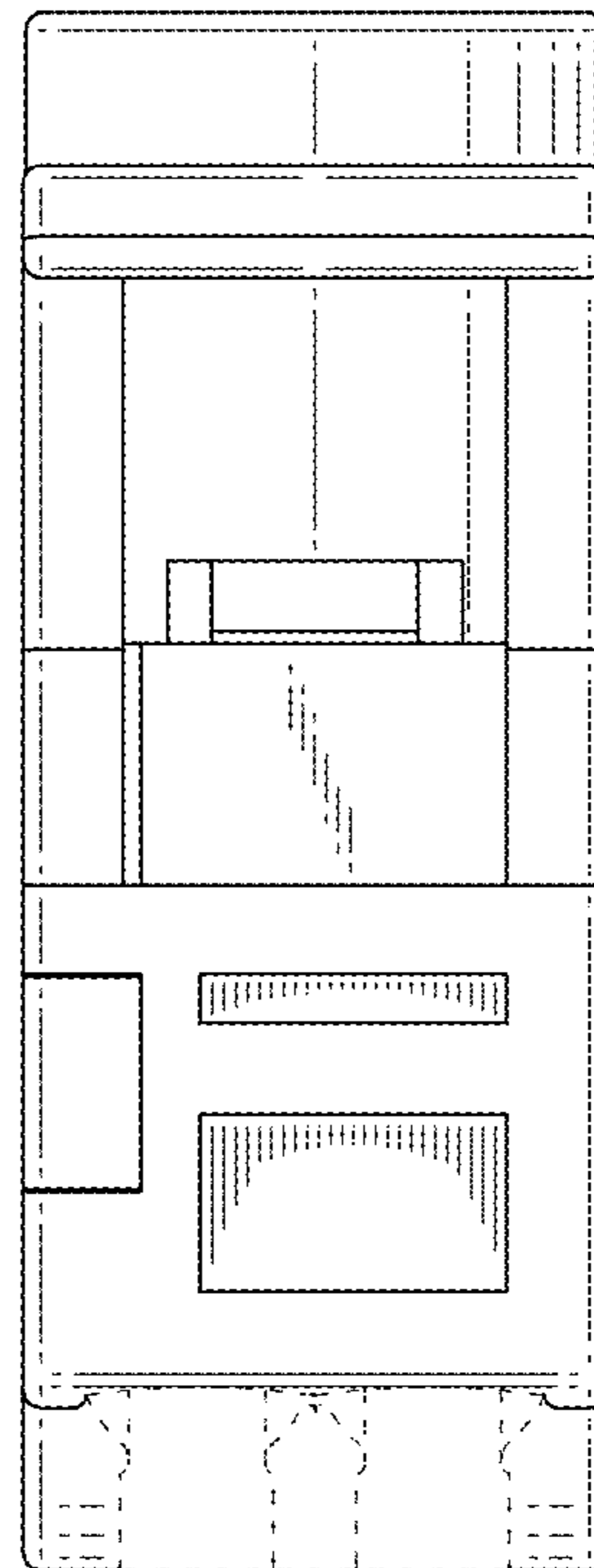


Fig. 6

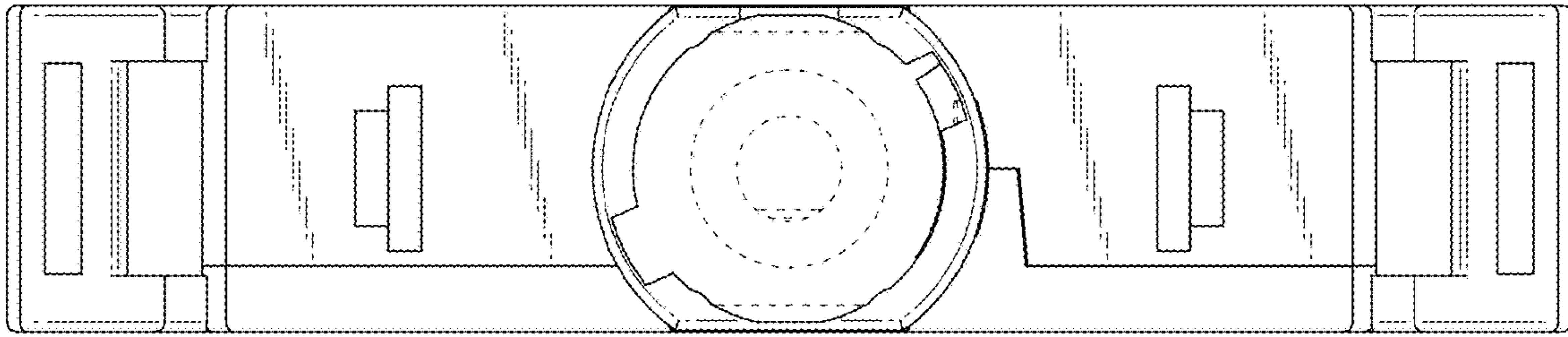


Fig. 7

