



US00D810032S

(12) **United States Design Patent** (10) **Patent No.:** **US D810,032 S**
Lacey et al. (45) **Date of Patent:** **** *Feb. 13, 2018**

- (54) **SWITCH APPARATUS**
- (71) Applicant: **EATON CORPORATION**, Cleveland, OH (US)
- (72) Inventors: **Darron Kirby Lacey**, Fayetteville, GA (US); **Pramod Kumar**, Peachtree City, GA (US)
- (73) Assignee: **EATON CORPORATION**, Cleveland, OH (US)
- (*) Notice: This patent is subject to a terminal disclaimer.
- (**) Term: **15 Years**

- 5,262,678 A 11/1993 Flowers
- D342,234 S 12/1993 Graybill, Jr.
- 5,340,954 A 8/1994 Hoffman
- 5,543,595 A 8/1996 Mader
- 5,669,484 A 9/1997 Paulson
- 6,259,351 B1 7/2001 Radosavljevic
- 6,420,669 B1 7/2002 Shenker
- 6,774,328 B2 8/2004 Adams
- D542,742 S 5/2007 Spira
- D543,511 S 5/2007 Altonen
- D546,771 S 7/2007 Spira
- D566,052 S 4/2008 Ochs
- D603,809 S 11/2009 Mathew
- 7,638,723 B1 12/2009 Dodal
- 7,745,750 B2 6/2010 Hewson
- 8,124,898 B2 2/2012 Mathew
- 8,643,220 B1 2/2014 Bhosale
- D707,638 S 6/2014 Bhosale

(Continued)

- (21) Appl. No.: **29/582,048**
- (22) Filed: **Oct. 25, 2016**

Primary Examiner — Selina Sikder
(74) *Attorney, Agent, or Firm* — Eckert Seamans; Brij Agarwal; Grant Coffield

Related U.S. Application Data

- (62) Division of application No. 29/534,696, filed on Jul. 30, 2015, now Pat. No. Des. 780,132.
- (51) **LOC (11) Cl.** **13-03**
- (52) **U.S. Cl.**
USPC **D13/169**
- (58) **Field of Classification Search**
USPC D13/162, 169, 170, 171, 173, 174
CPC H01H 9/02; H01H 3/02; H01H 3/0213;
H01H 15/06; H01H 23/00; H01H 23/02;
H01H 23/04; H01H 23/08; H01H 23/146;
H01H 23/148; H01H 23/164; H01H
23/20; H01H 71/521; H01H 71/522;
H02G 3/14; H05B 37/02; H05B 39/08;
Y10T 307/937
See application file for complete search history.

(57) **CLAIM**

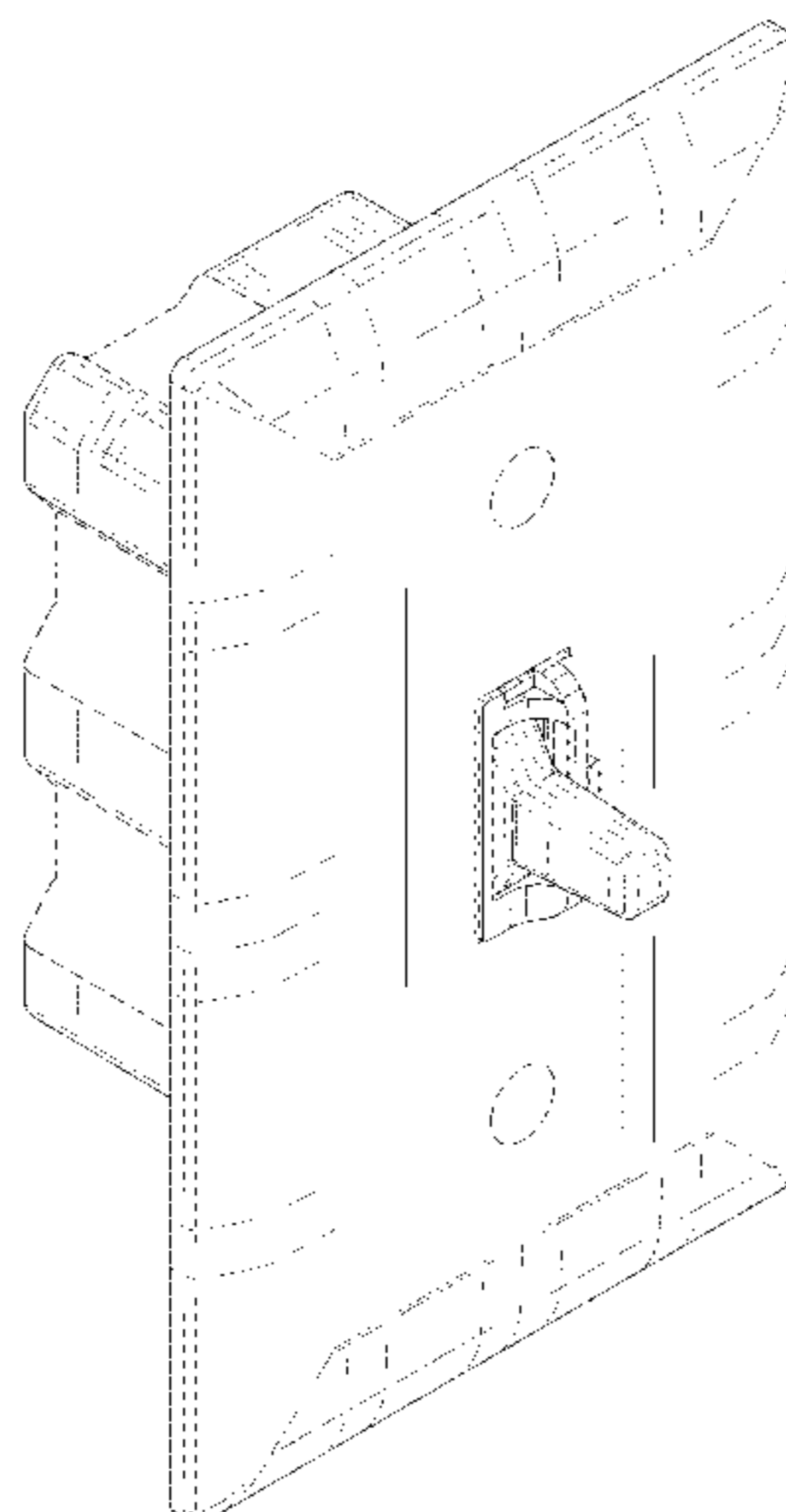
The ornamental design for a switch apparatus, as shown and described.

DESCRIPTION

FIG. 1 is an upper left perspective view of the switch apparatus;
FIG. 2 is an lower right perspective view thereof;
FIG. 3 is a front elevational view thereof;
FIG. 4 is a right side elevational view thereof;
FIG. 5 is a left side elevational view thereof;
FIG. 6 is a top plan view thereof;
FIG. 7 is a bottom plan view thereof; and,
FIG. 8 is a rear elevational view thereof.
The dashed lines are for illustration of the boundary between claimed subject matter and unclaimed subject matter only and form no part of the claimed design.

- (56) **References Cited**
U.S. PATENT DOCUMENTS
3,059,045 A 10/1962 Swartwood
3,335,900 A 8/1967 Mackiewicz

1 Claim, 7 Drawing Sheets



(56)

References Cited

U.S. PATENT DOCUMENTS

D772,175	S	*	11/2016	Lacey	D13/174
D779,443	S	*	2/2017	Lacey	D13/173
D779,444	S	*	2/2017	Lacey	D13/173
D780,132	S	*	2/2017	Lacey	D13/173
D780,700	S	*	3/2017	Lacey	D13/173
D780,701	S	*	3/2017	Lacey	D13/173
2014/0151203	A1		6/2014	Gouhl		

* cited by examiner

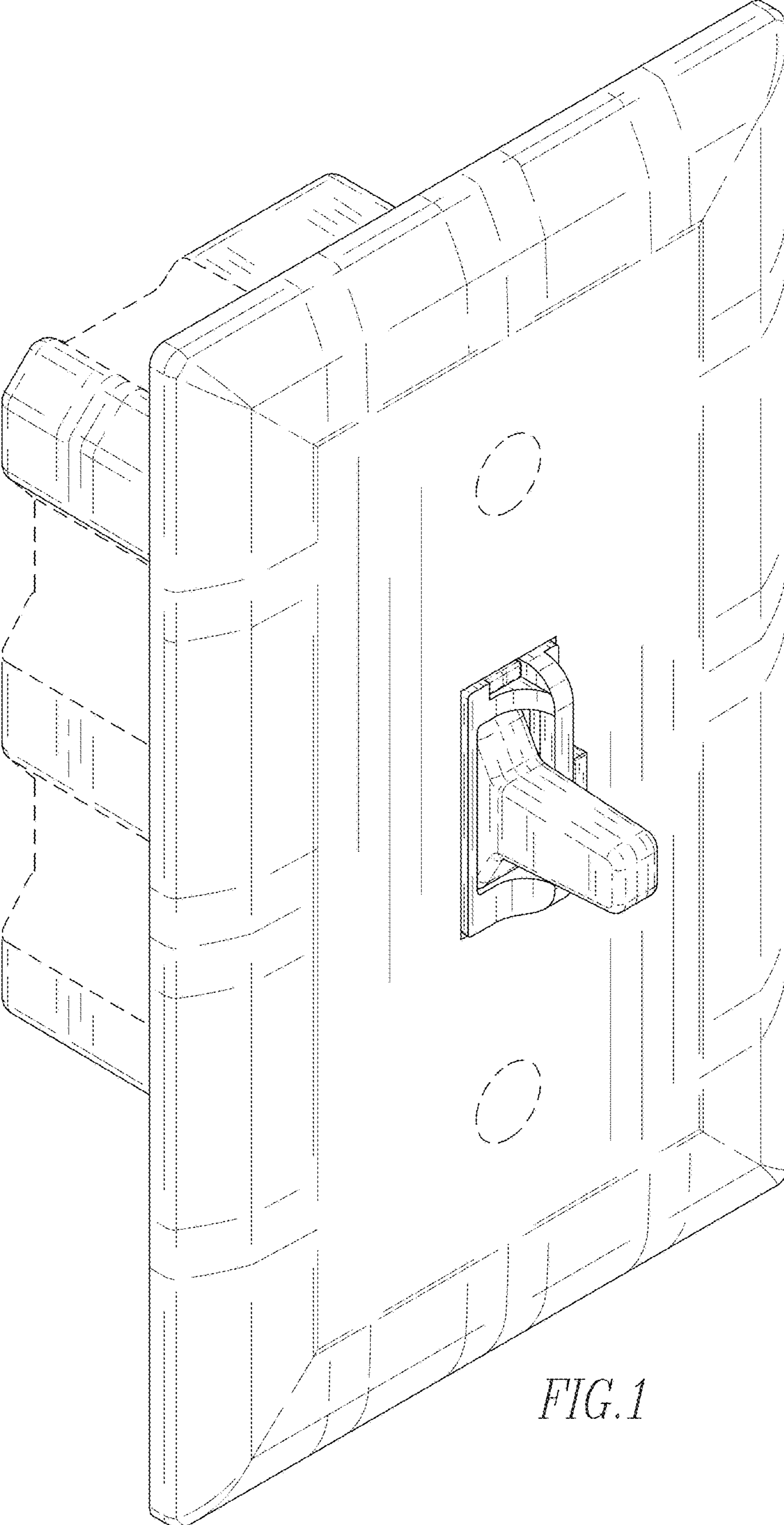


FIG. 1

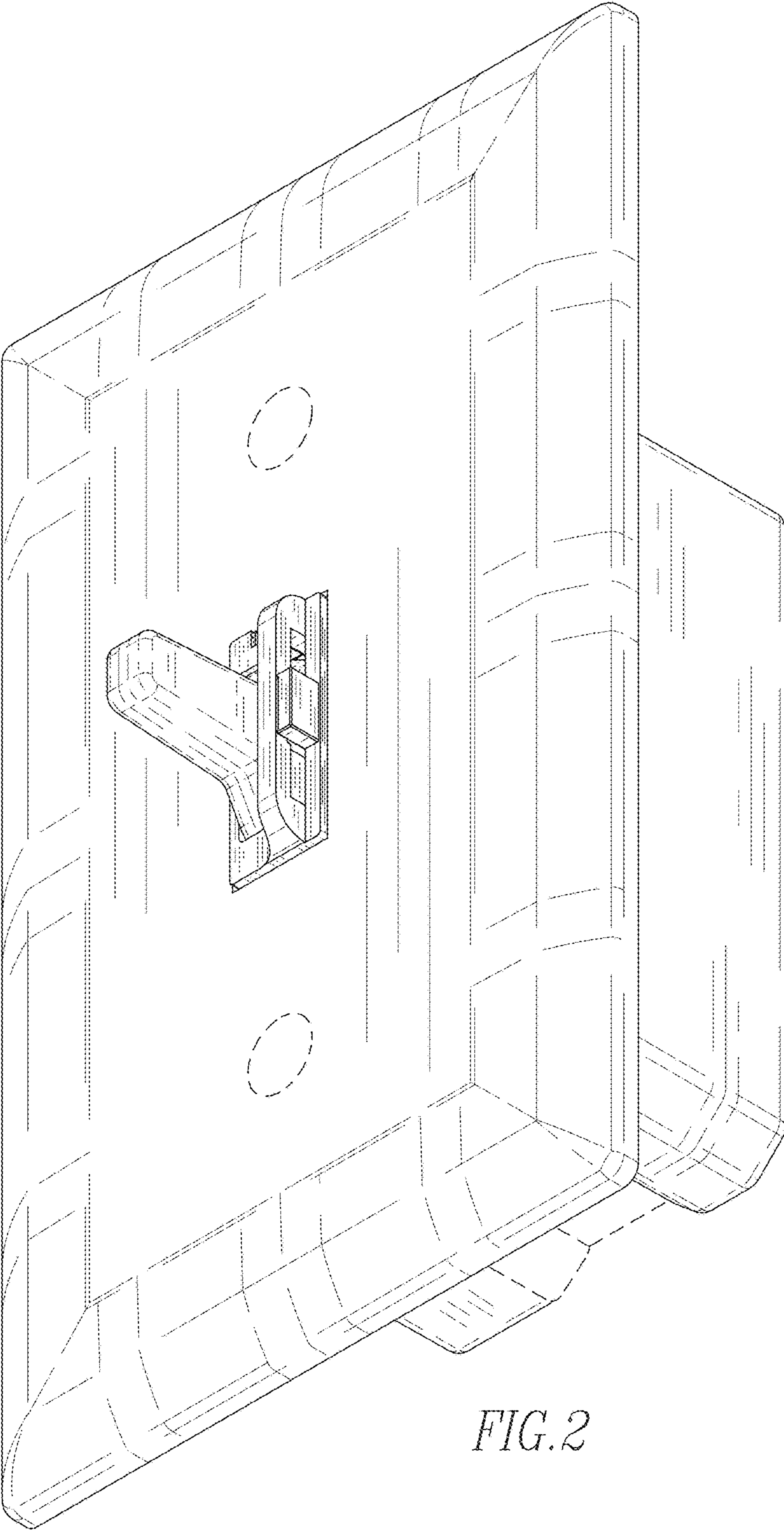


FIG. 2

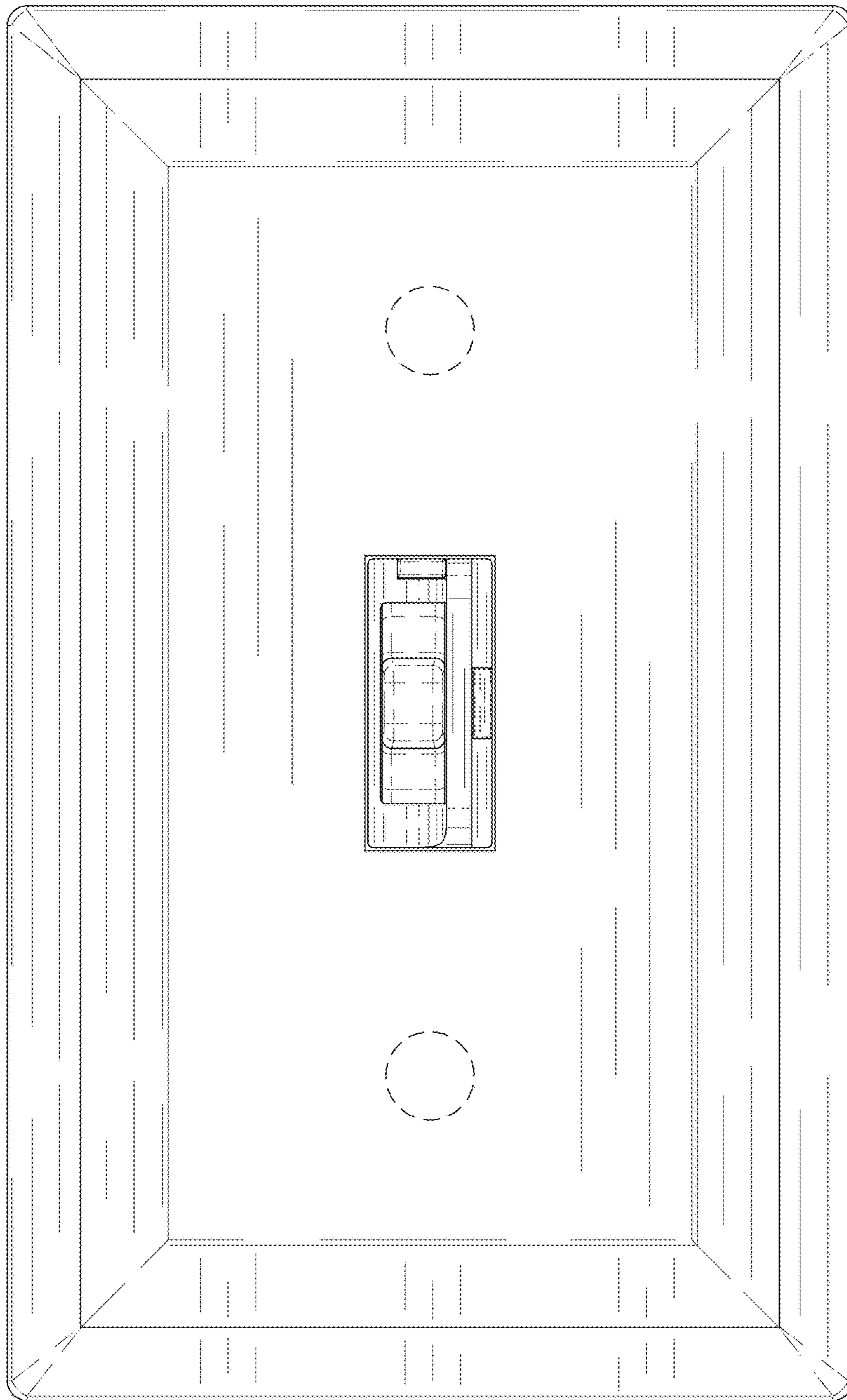


FIG. 3

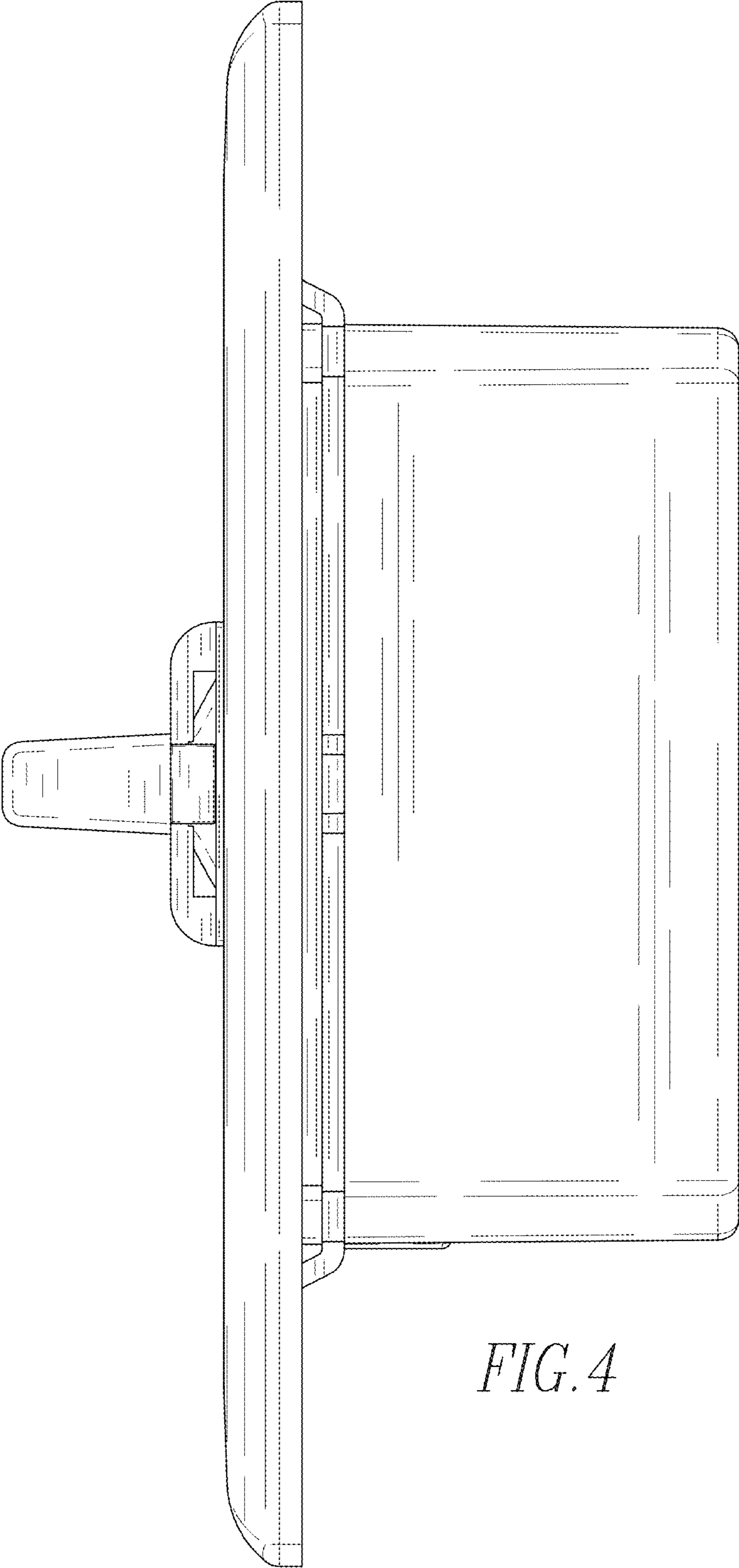


FIG. 4

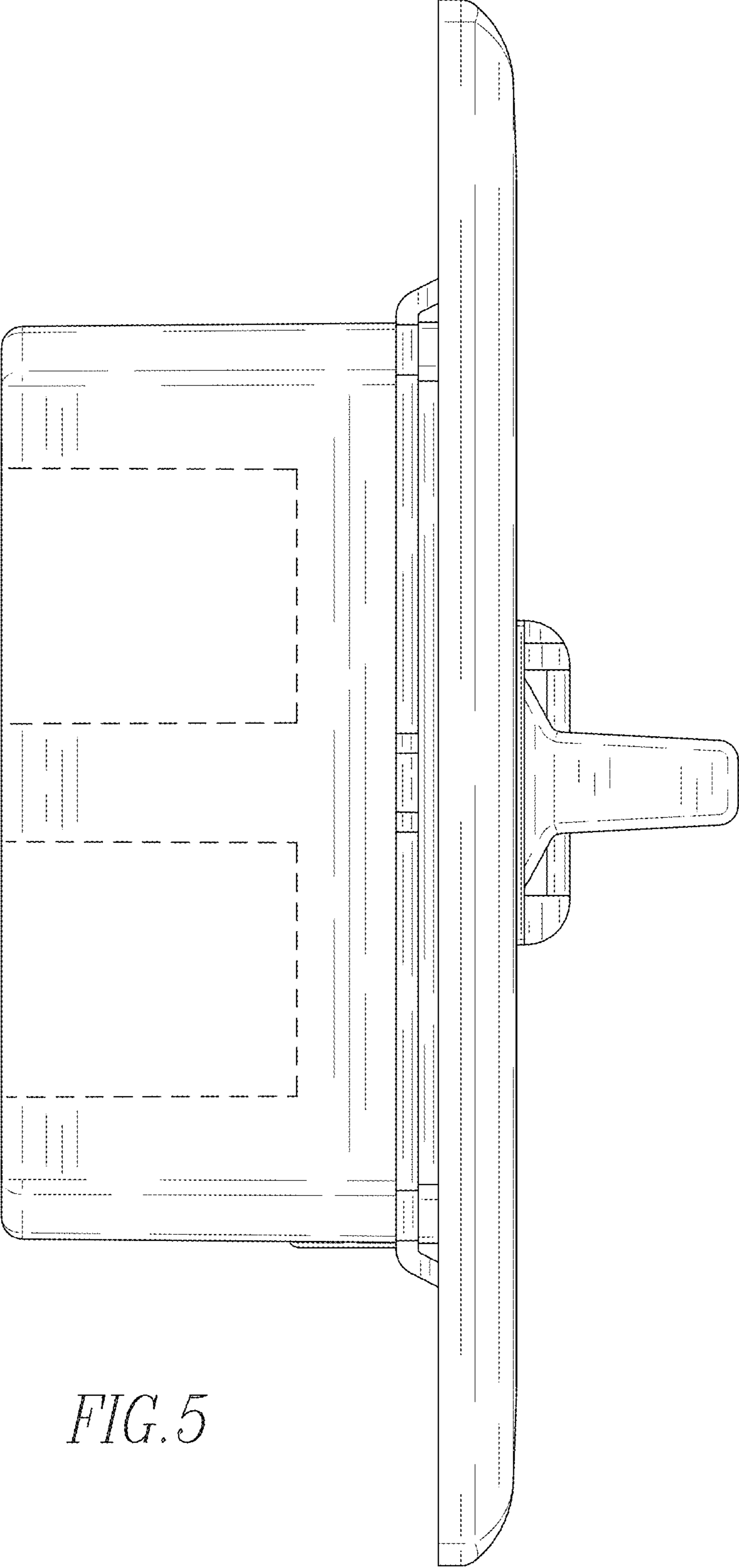
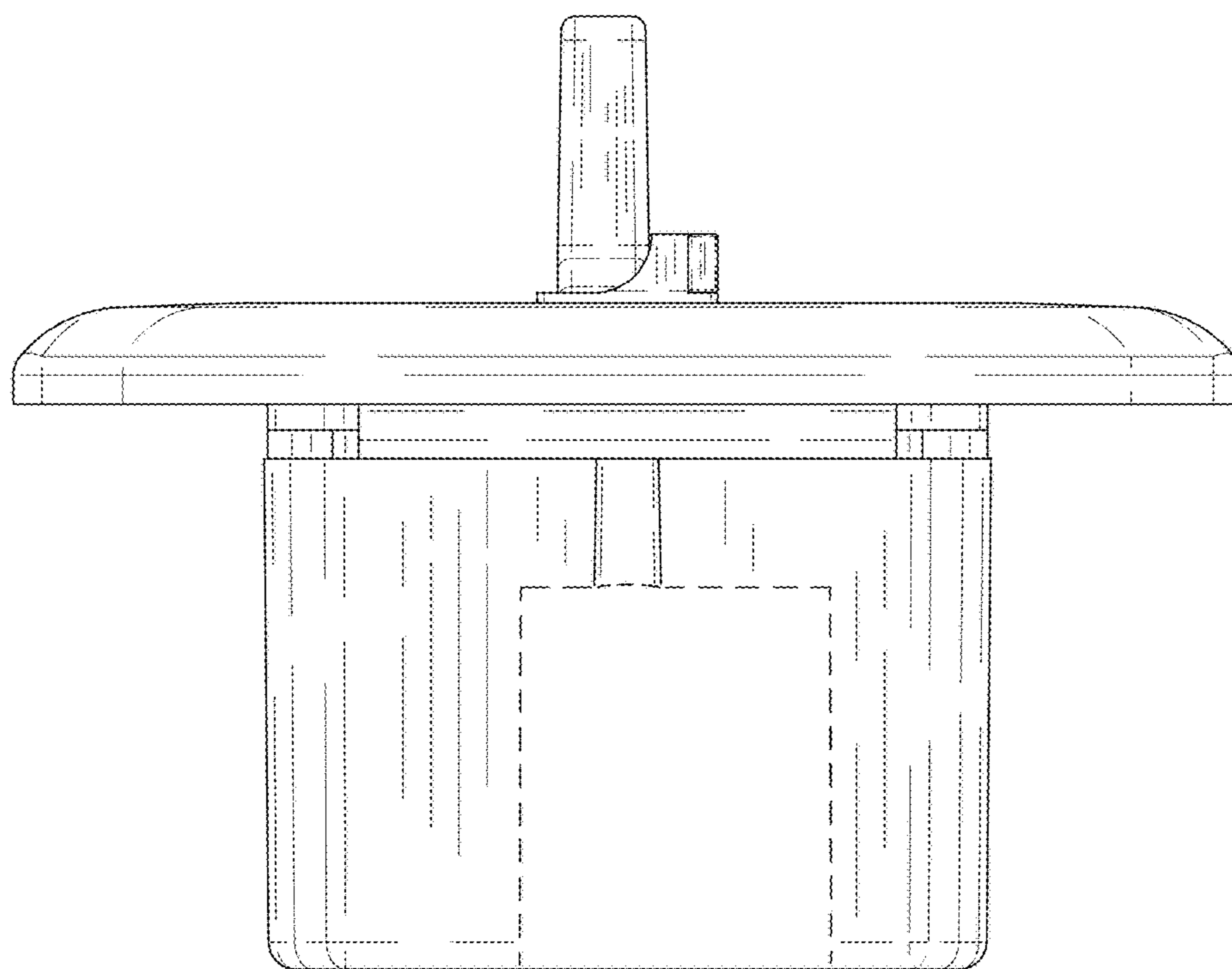
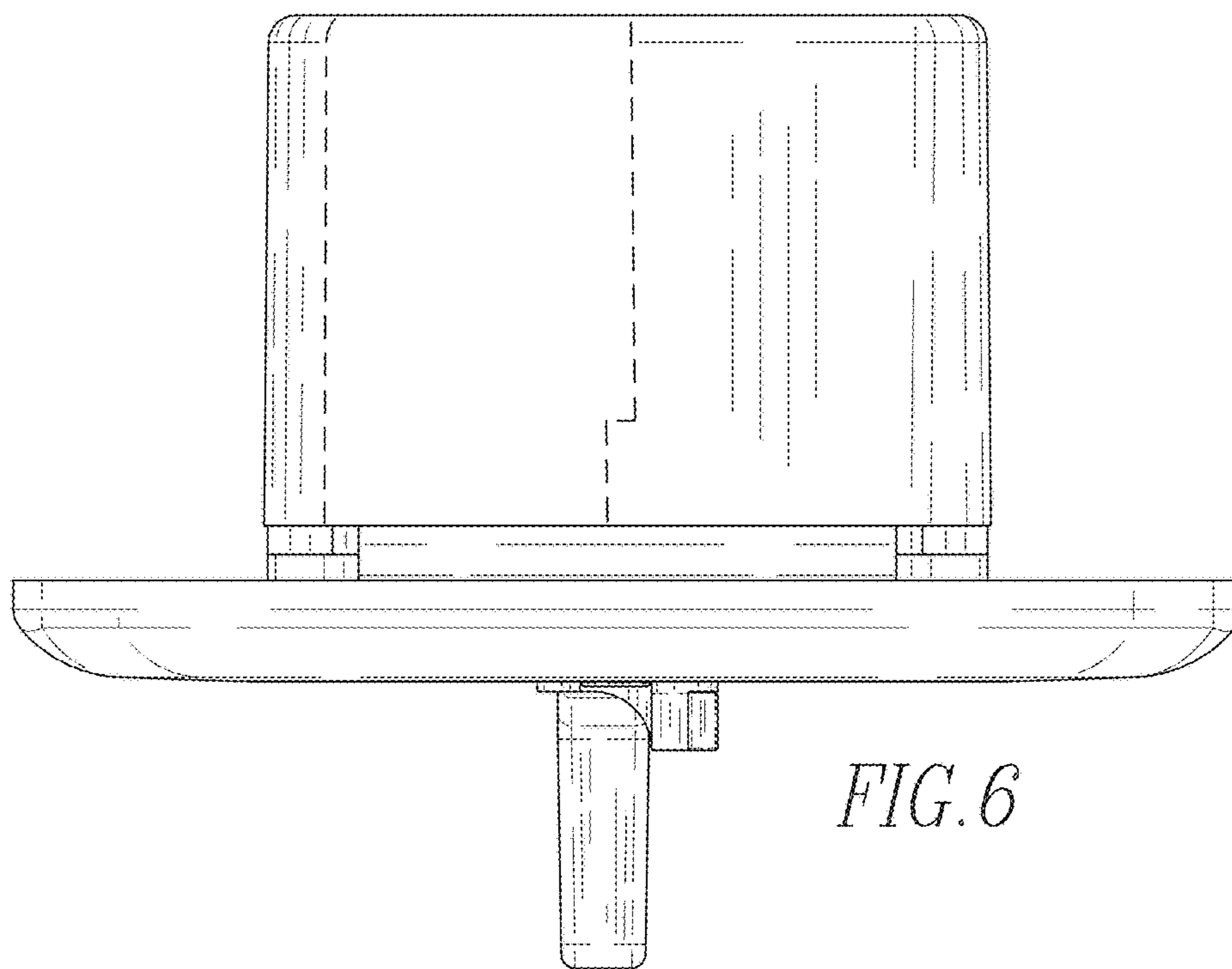


FIG. 5



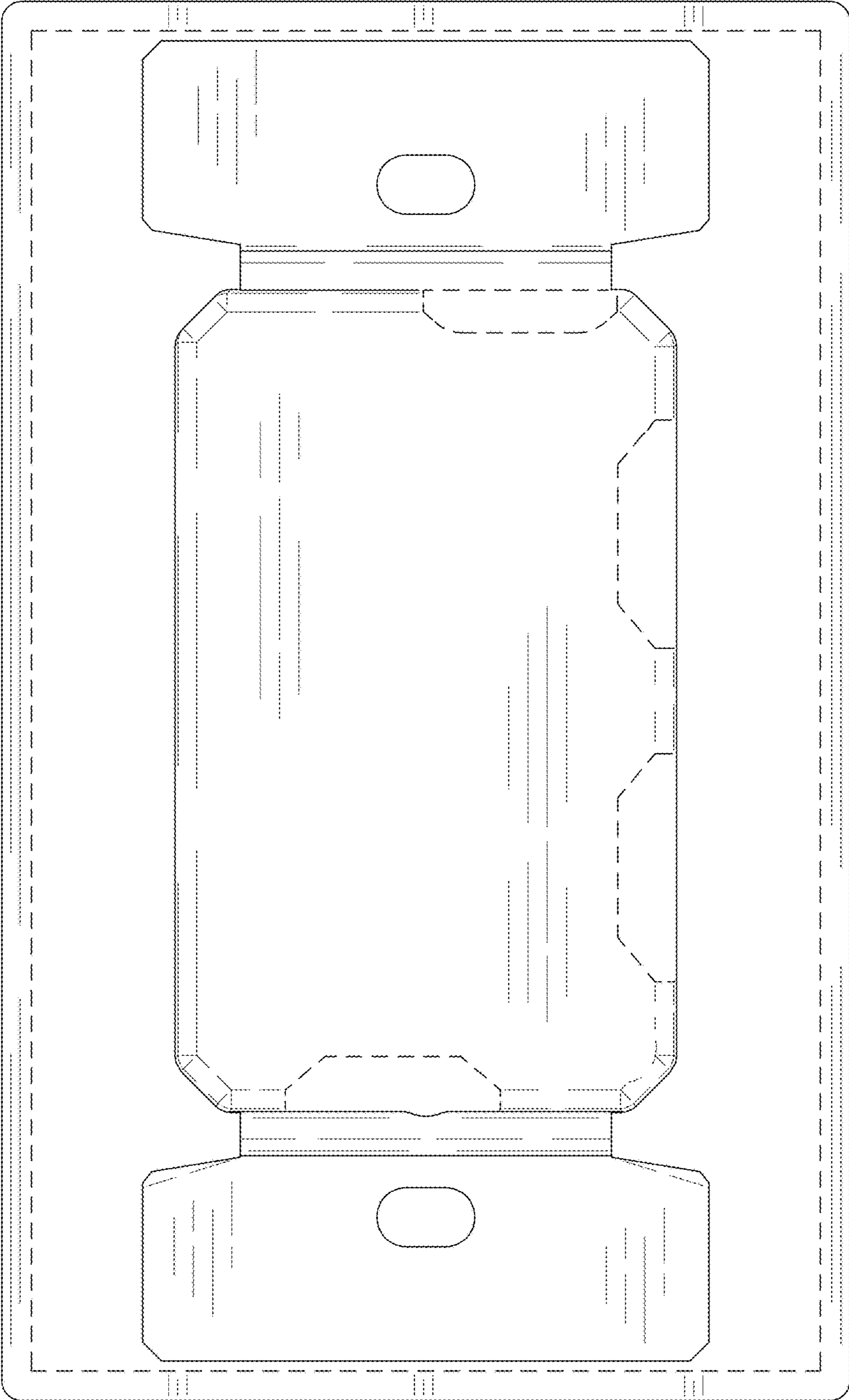


FIG. 8