



US00D810031S

(12) **United States Design Patent** (10) **Patent No.:** **US D810,031 S**  
**Sprenger et al.** (45) **Date of Patent:** **\*\* Feb. 13, 2018**

(54) **PROTECTIVE COVER FOR AN ELECTRONIC CONNECTOR**

*Primary Examiner* — Derrick Holland  
(74) *Attorney, Agent, or Firm* — International IP Law Group, P.L.L.C.

(71) Applicant: **INTEL CORPORATION**, Santa Clara, CA (US)

(72) Inventors: **Mark Sprenger**, Folsom, CA (US); **Russell Aoki**, Tacoma, WA (US); **David Pidwerbecki**, Hillsboro, OR (US)

(57) **CLAIM**

The ornamental design for a protective cover for an electronic connector, as shown and described.

(73) Assignee: **Intel Corporation**, Santa Clara, CA (US)

(\*\*) Term: **14 Years**

**DESCRIPTION**

(21) Appl. No.: **29/503,589**

(22) Filed: **Sep. 26, 2014**

(51) **LOC (11) Cl.** ..... **13-03**

(52) **U.S. Cl.**  
USPC ..... **D13/156**

(58) **Field of Classification Search**  
CPC .... H05K 5/0013; H05K 5/0073; H05K 5/006;  
H05K 7/1417; H01R 13/424; H01R 13/426; H01R 13/4362; H01R 13/5213  
See application file for complete search history.

FIG. 1 is a perspective view of a protective cover for an electronic connector in a locked position;  
FIG. 2 is a top view of the protective cover for an electronic connector in a locked position;  
FIG. 3 is a left view of the protective cover for an electronic connector from FIG. 1 in a locked position;  
FIG. 4 is a right view of the protective cover for an electronic connector from FIG. 1 in a locked position;  
FIG. 5 is a front view of the protective cover for an electronic connector from FIG. 1 in a locked position;  
FIG. 6 is a back view of the protective cover for an electronic connector from FIG. 1 in a locked position;  
FIG. 7 is a perspective view of the protective cover for an electronic connector from FIG. 1 in an unlocked position;  
FIG. 8 is a top view of the protective cover for an electronic connector from FIG. 1 in an unlocked position;  
FIG. 9 is a left view of the protective cover for an electronic connector from FIG. 1 in an unlocked position;  
FIG. 10 is a front view of the protective cover for an electronic connector from FIG. 1 in an unlocked position;  
and,  
FIG. 11 is a back view of the protective cover for an electronic connector from FIG. 1 in an unlocked position.  
The broken lines shown represent unclaimed subject matter and form no part of the claimed design.

(56) **References Cited**

U.S. PATENT DOCUMENTS

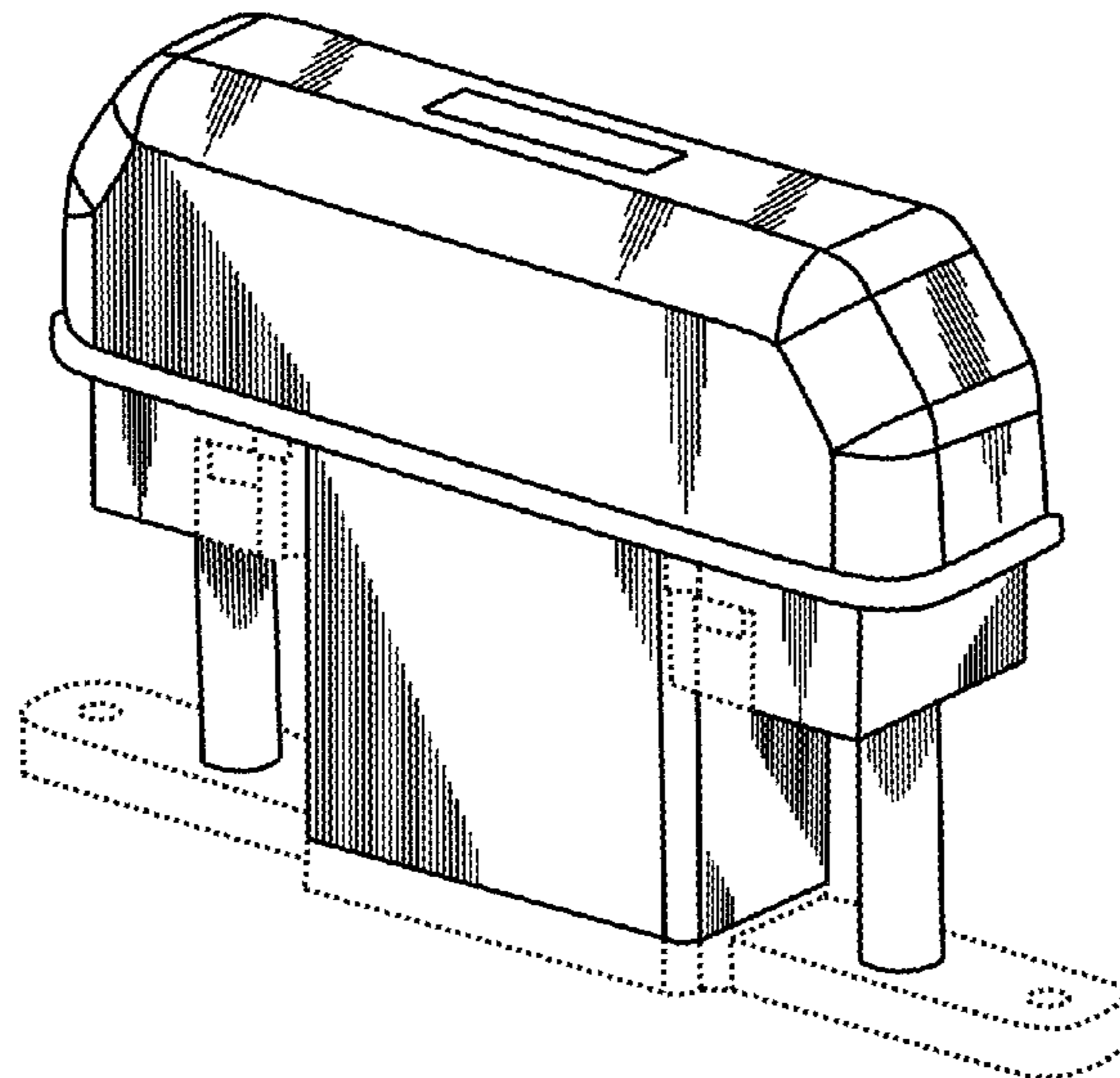
D194,501 S *	2/1963	Maurer	.....	D13/147
D332,602 S *	1/1993	Kikuta	.....	D13/147
5,478,250 A	12/1995	Hoffman		
5,791,930 A	8/1998	Tabata et al.		
D430,542 S *	9/2000	Hoferitza	.....	D13/147
6,497,516 B1	12/2002	Toyooka et al.		
D518,444 S *	4/2006	Chen	.....	D13/147

(Continued)

OTHER PUBLICATIONS

Sprenger et al., U.S. Appl. No. 14/498,990, filed Sep. 26, 2014, US Application, Drawings, and Filing Receipt dated Oct. 6, 2014 attached (27 pages), not yet published.

**1 Claim, 11 Drawing Sheets**



(56)

**References Cited**

U.S. PATENT DOCUMENTS

D519,465	S *	4/2006	Sirichai .....	D13/156
D533,140	S *	12/2006	Motard .....	D13/156
7,686,629	B1	3/2010	Yu et al.	
7,740,494	B2	6/2010	Lin et al.	
8,102,662	B2	1/2012	Hiew et al.	
8,292,641	B2	10/2012	Kim et al.	
8,342,857	B2	1/2013	Palli et al.	
8,425,243	B2	4/2013	Alvarez Rivera	
D701,495	S *	3/2014	Siegel .....	D13/156
2004/0229484	A1	11/2004	Uchida	
2009/0061696	A1	3/2009	Lin et al.	
2015/0277491	A1	10/2015	Browning et al.	

\* cited by examiner

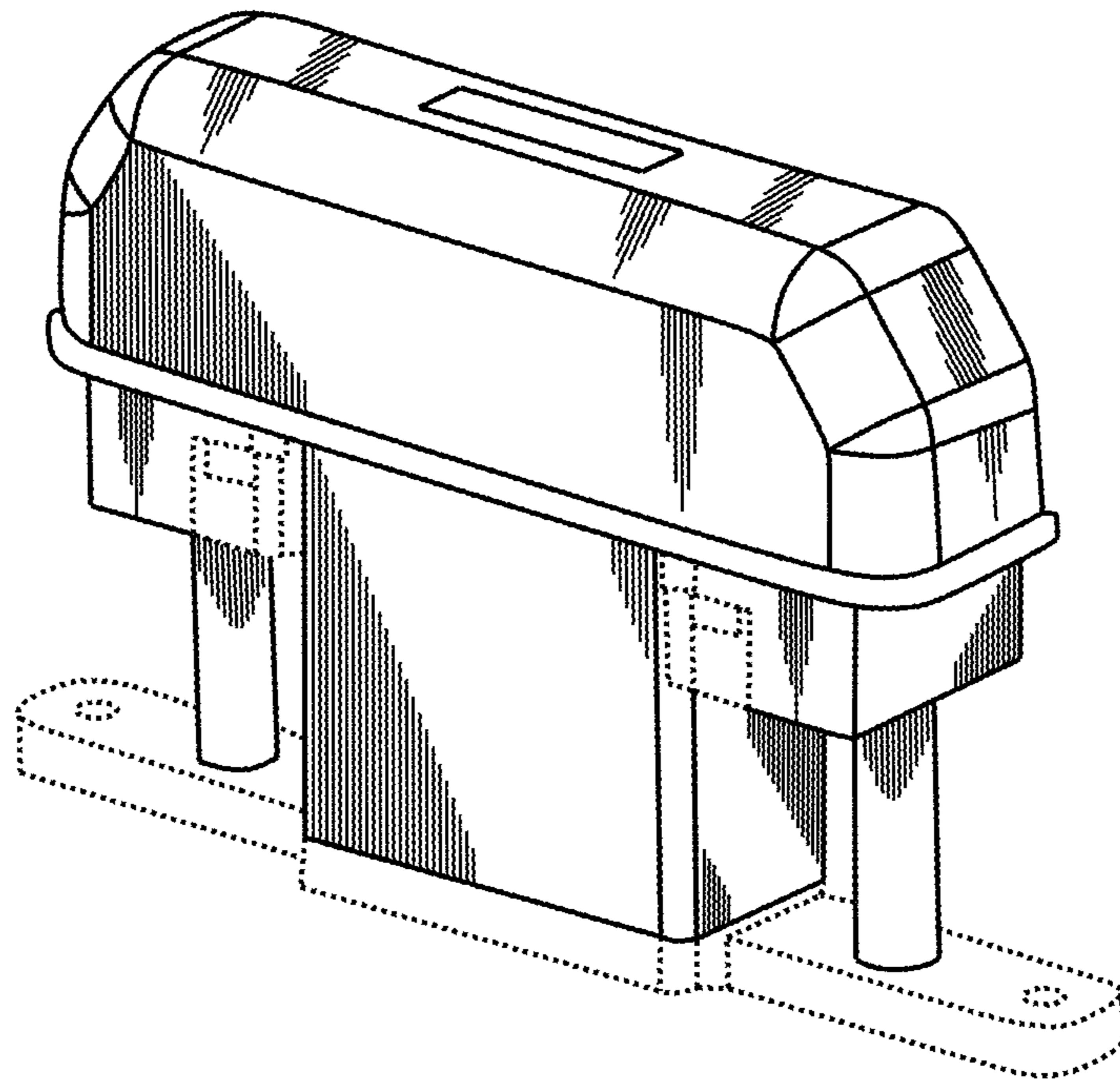


FIG. 1

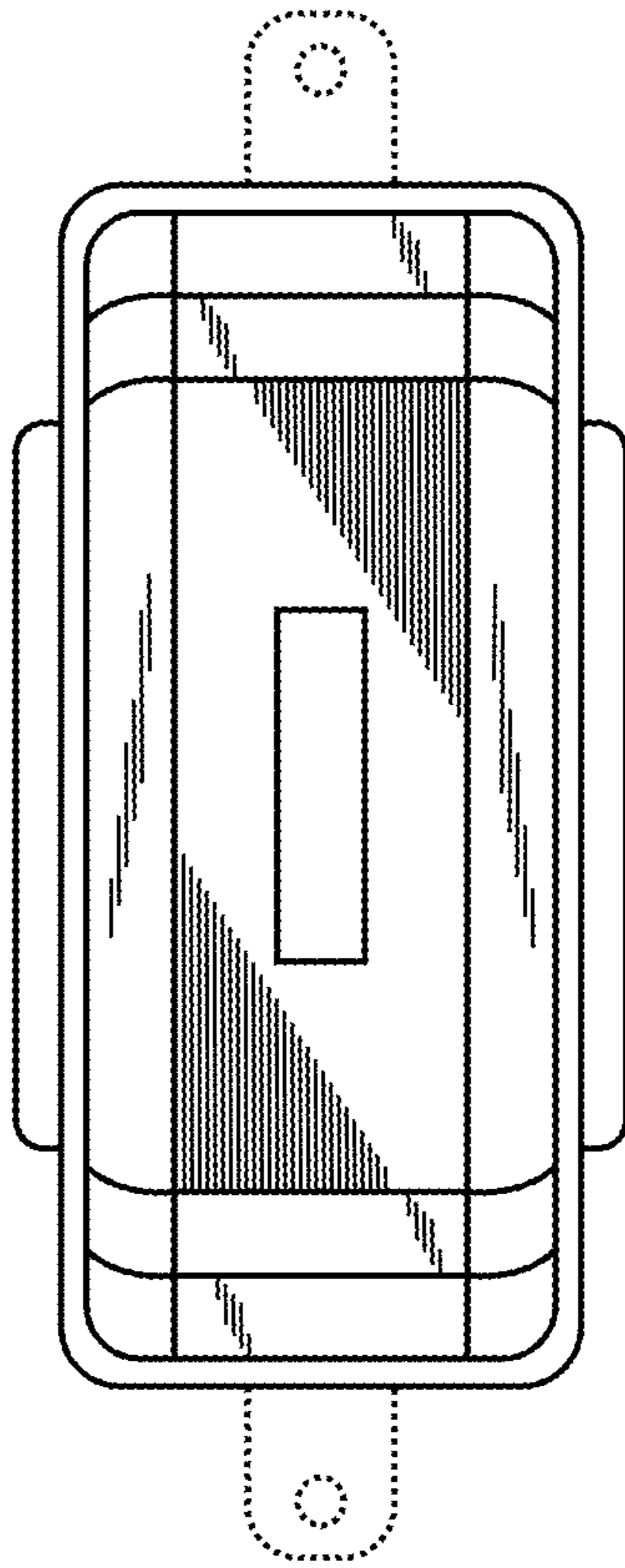


FIG. 2

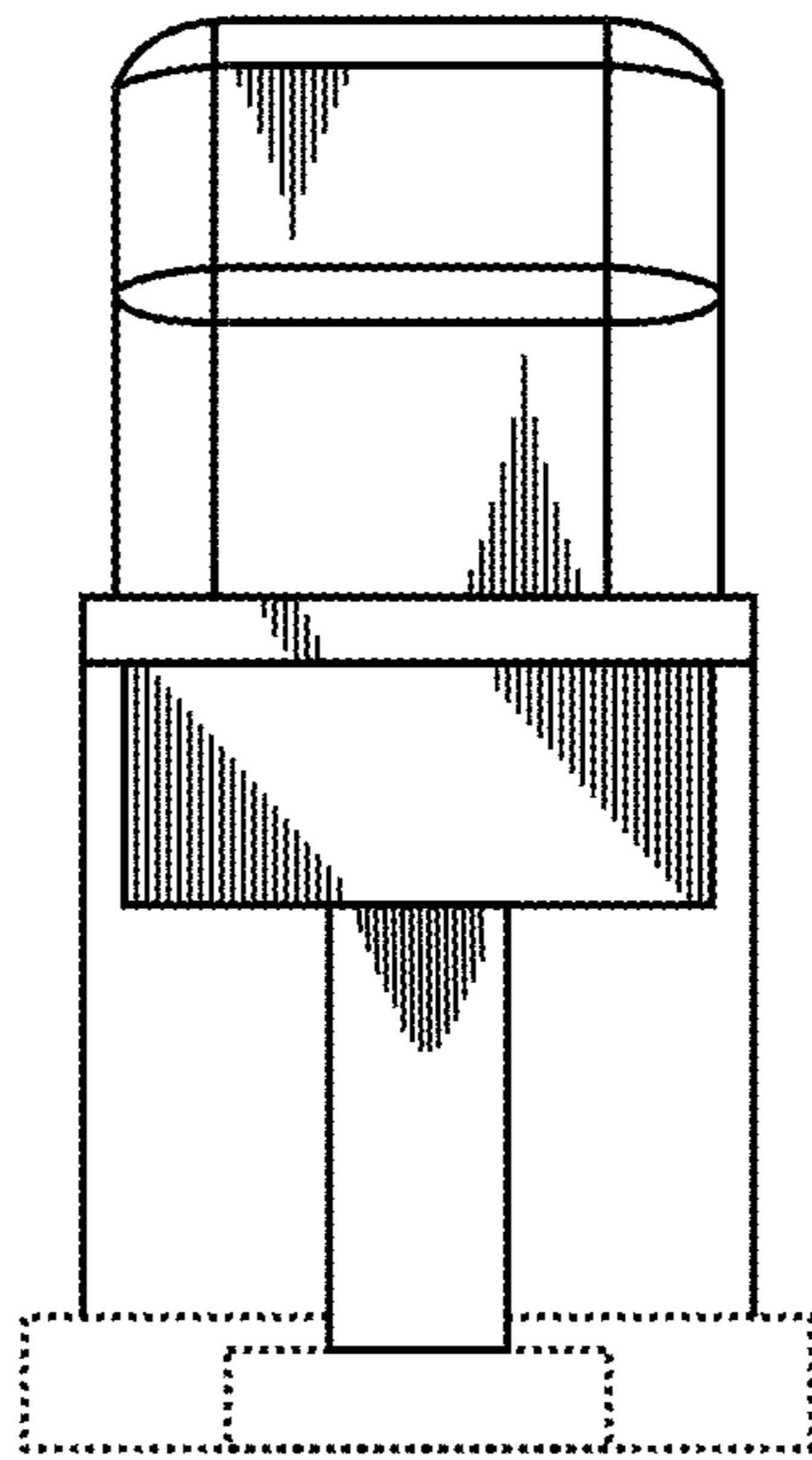


FIG. 3

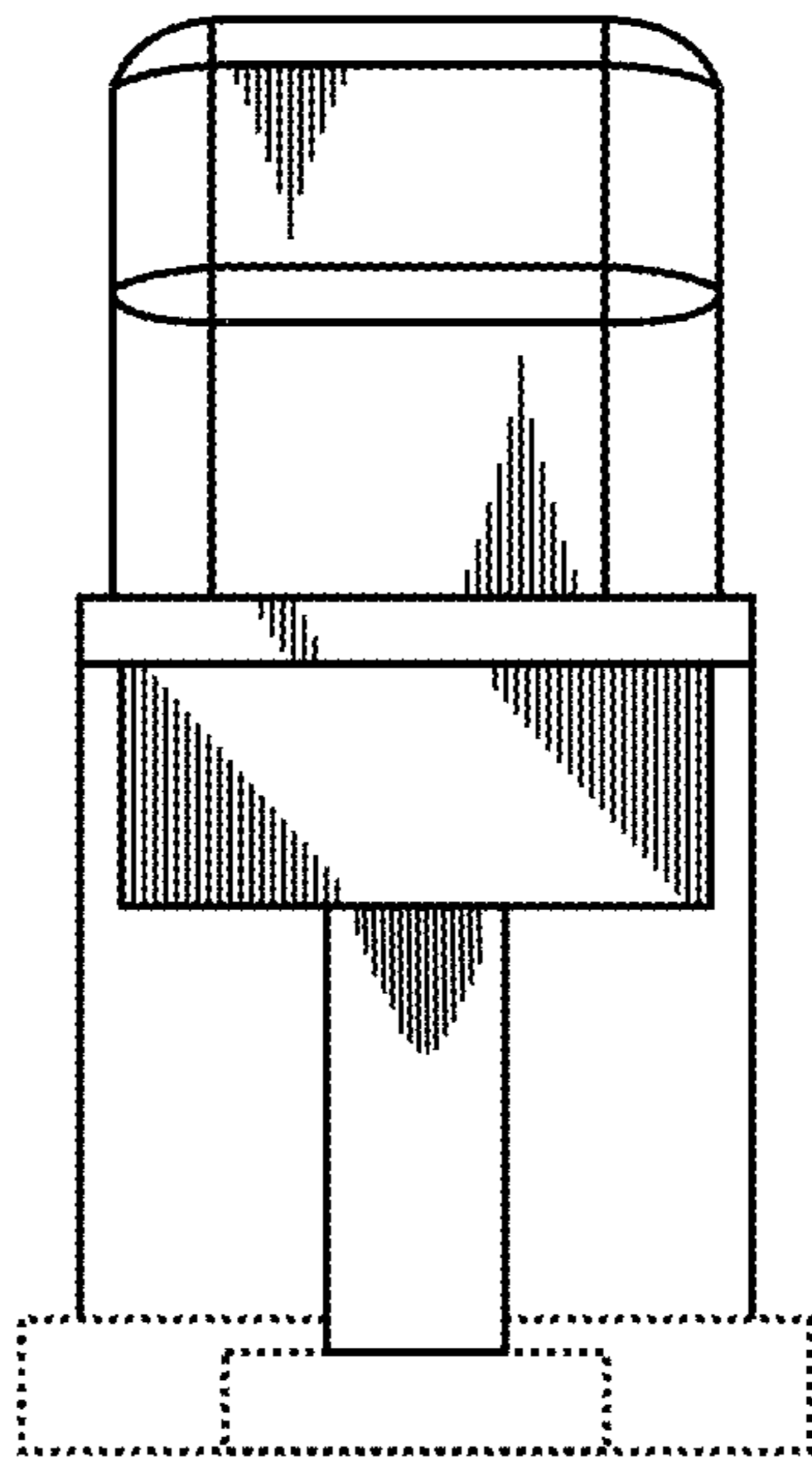


FIG. 4

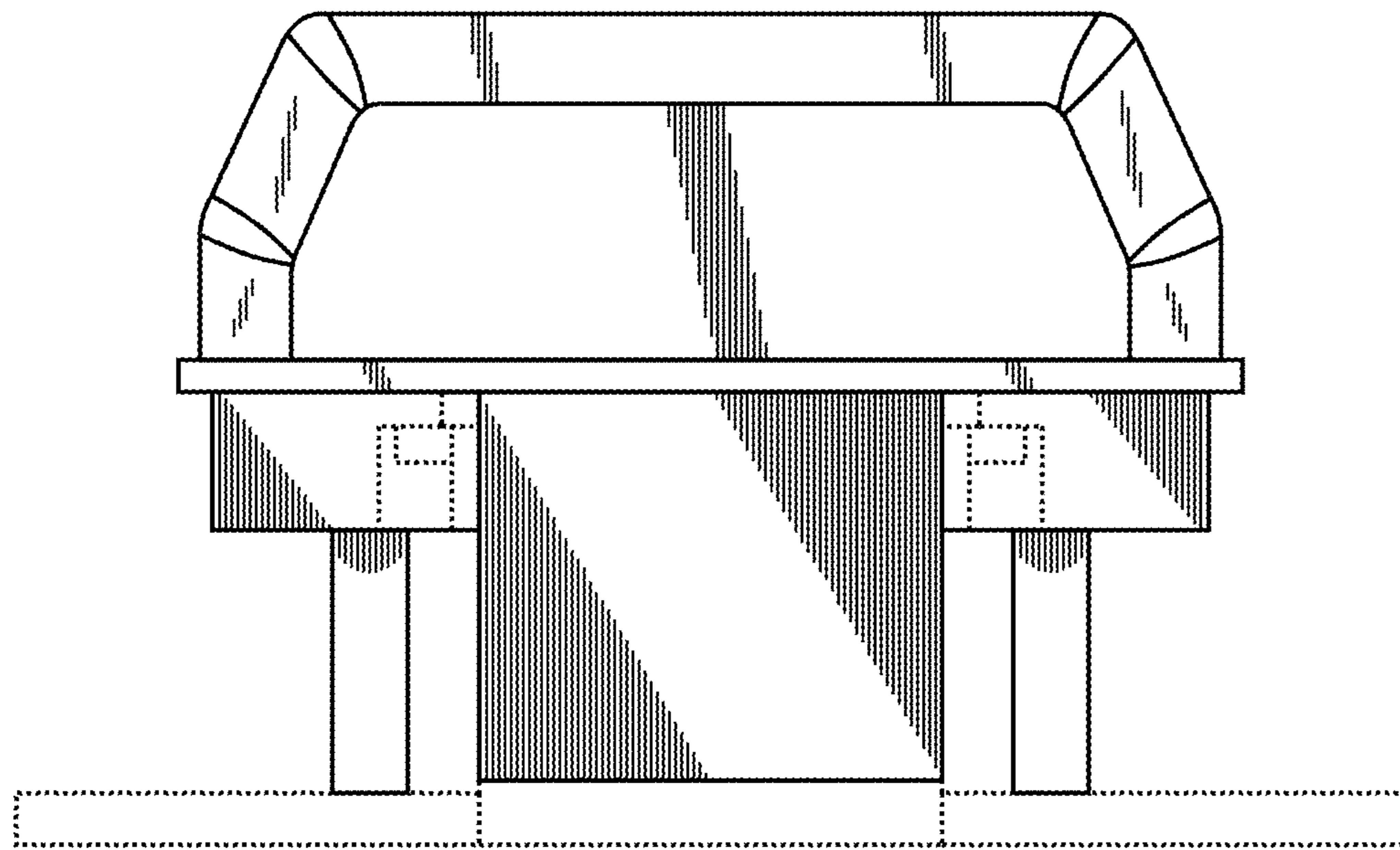


FIG. 5

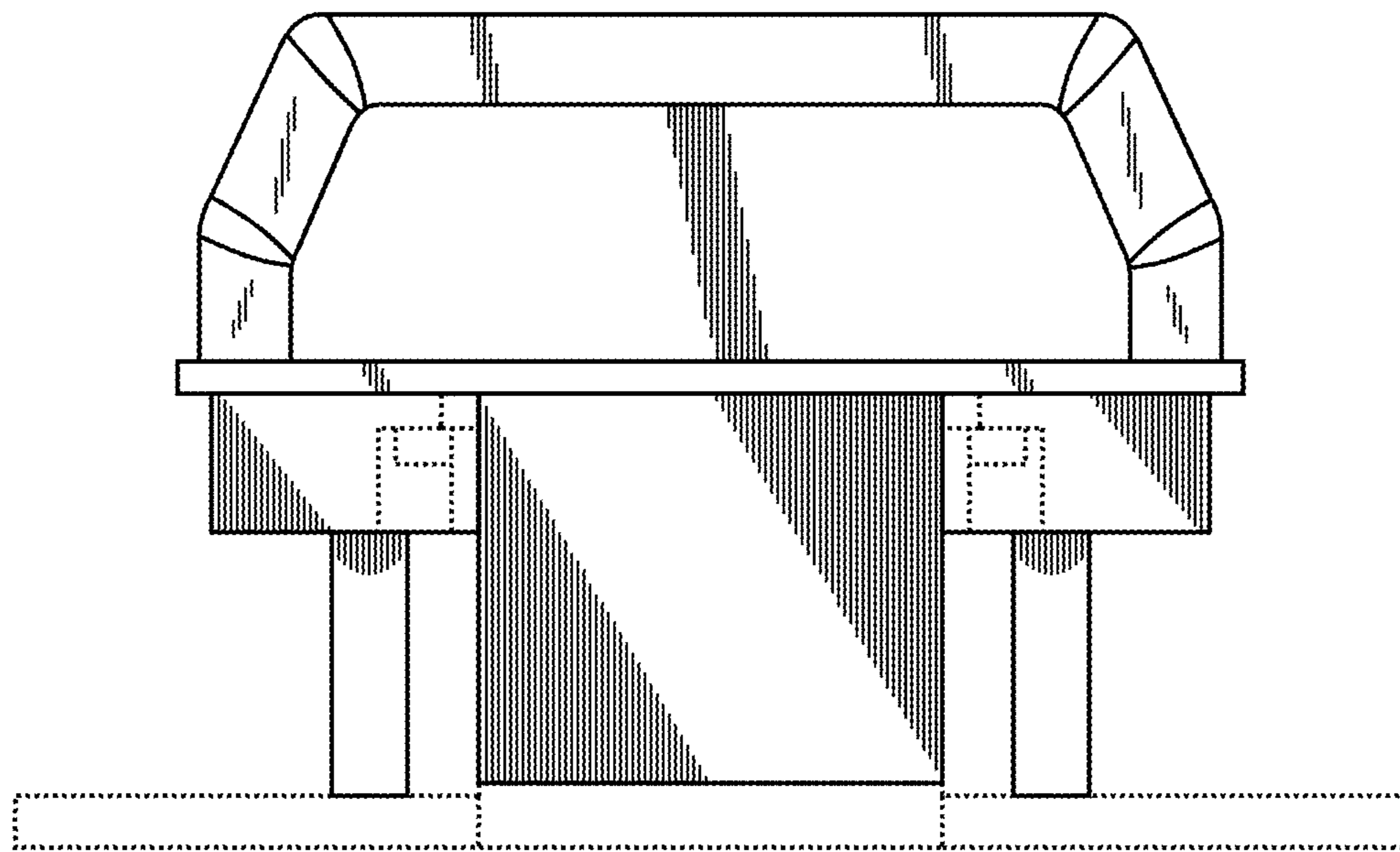


FIG. 6



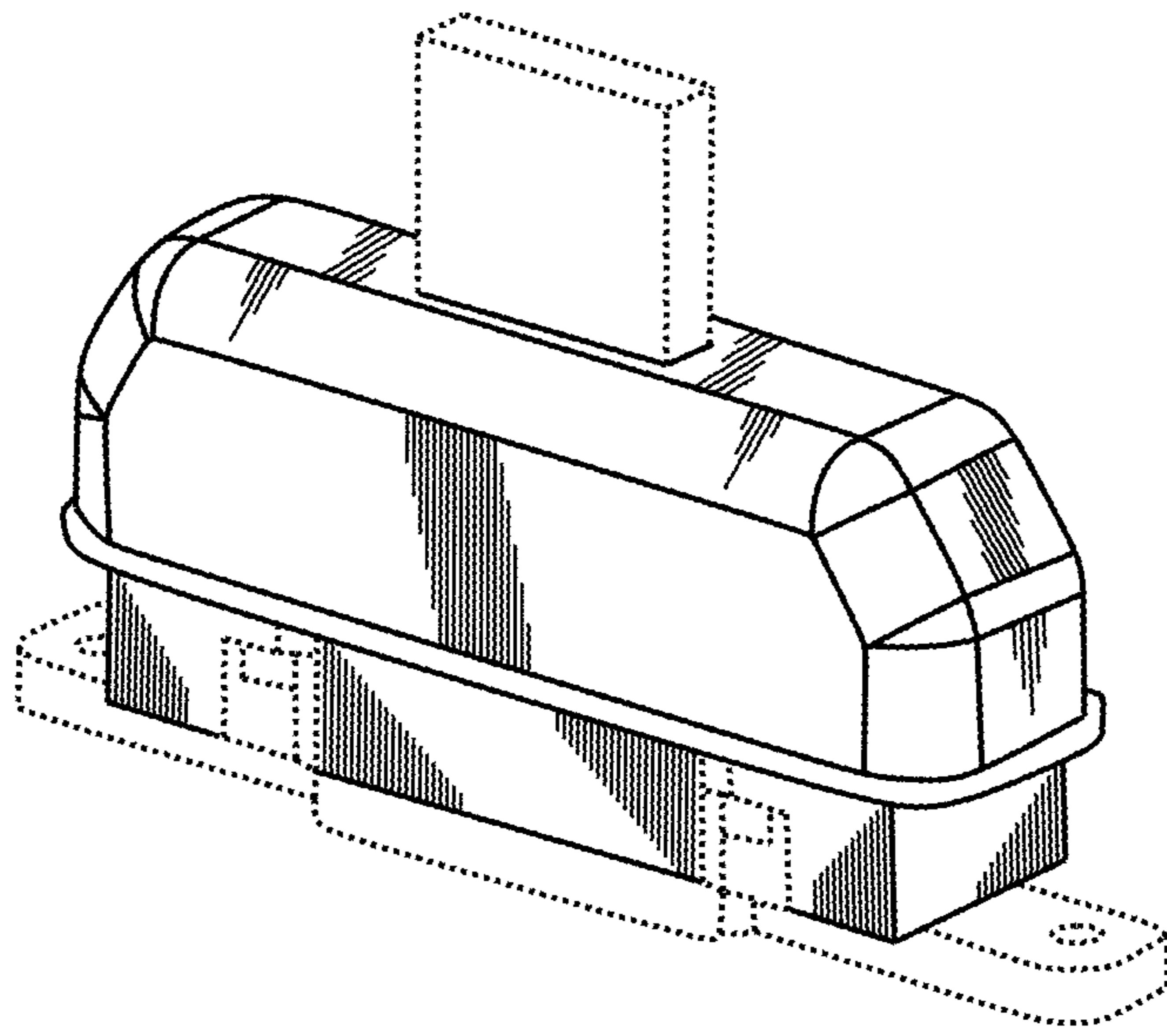


FIG. 7

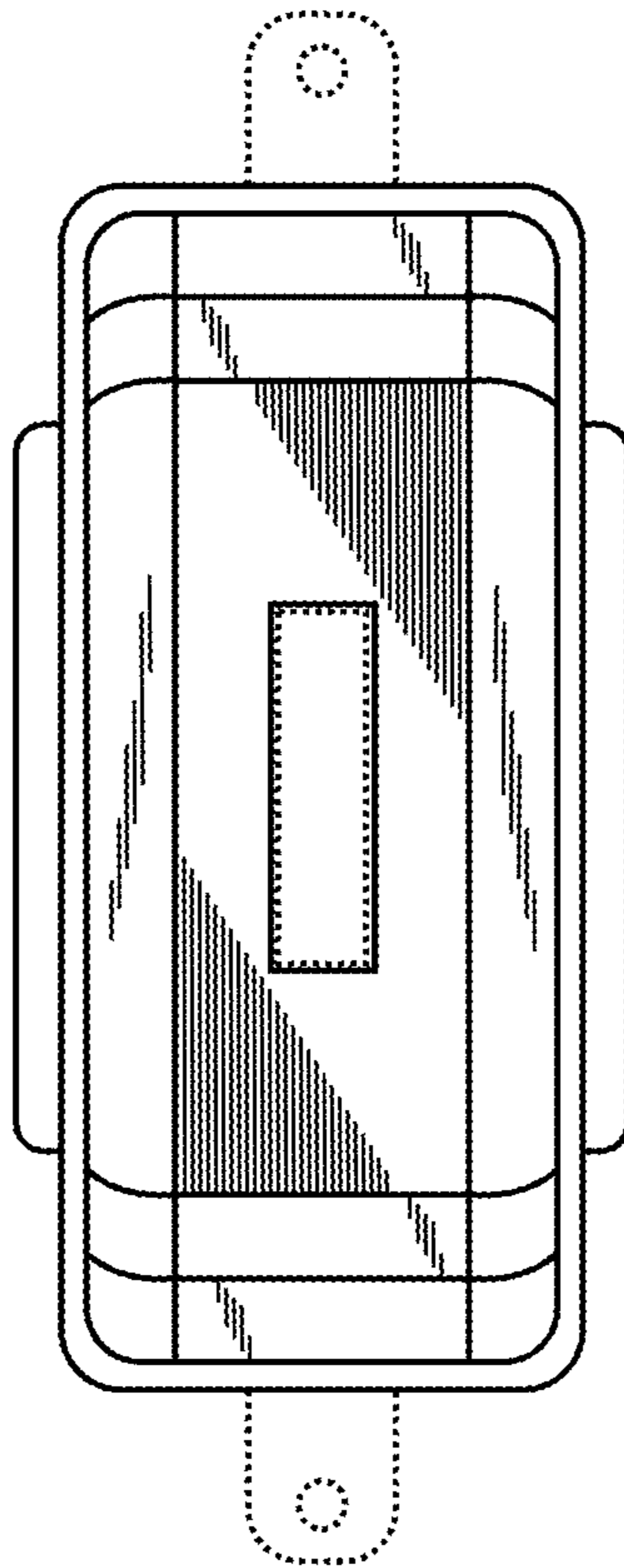


FIG. 8

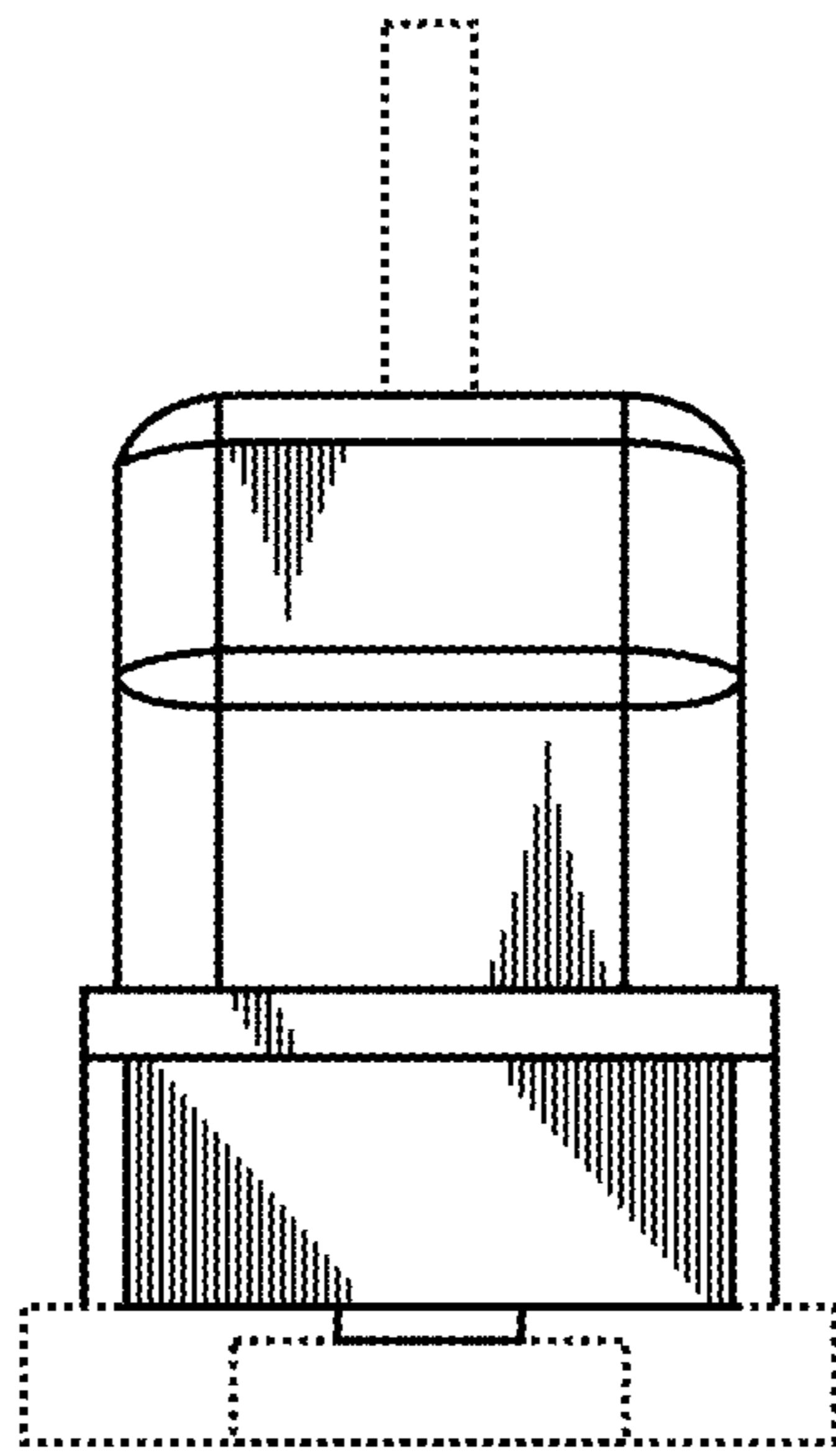


FIG. 9

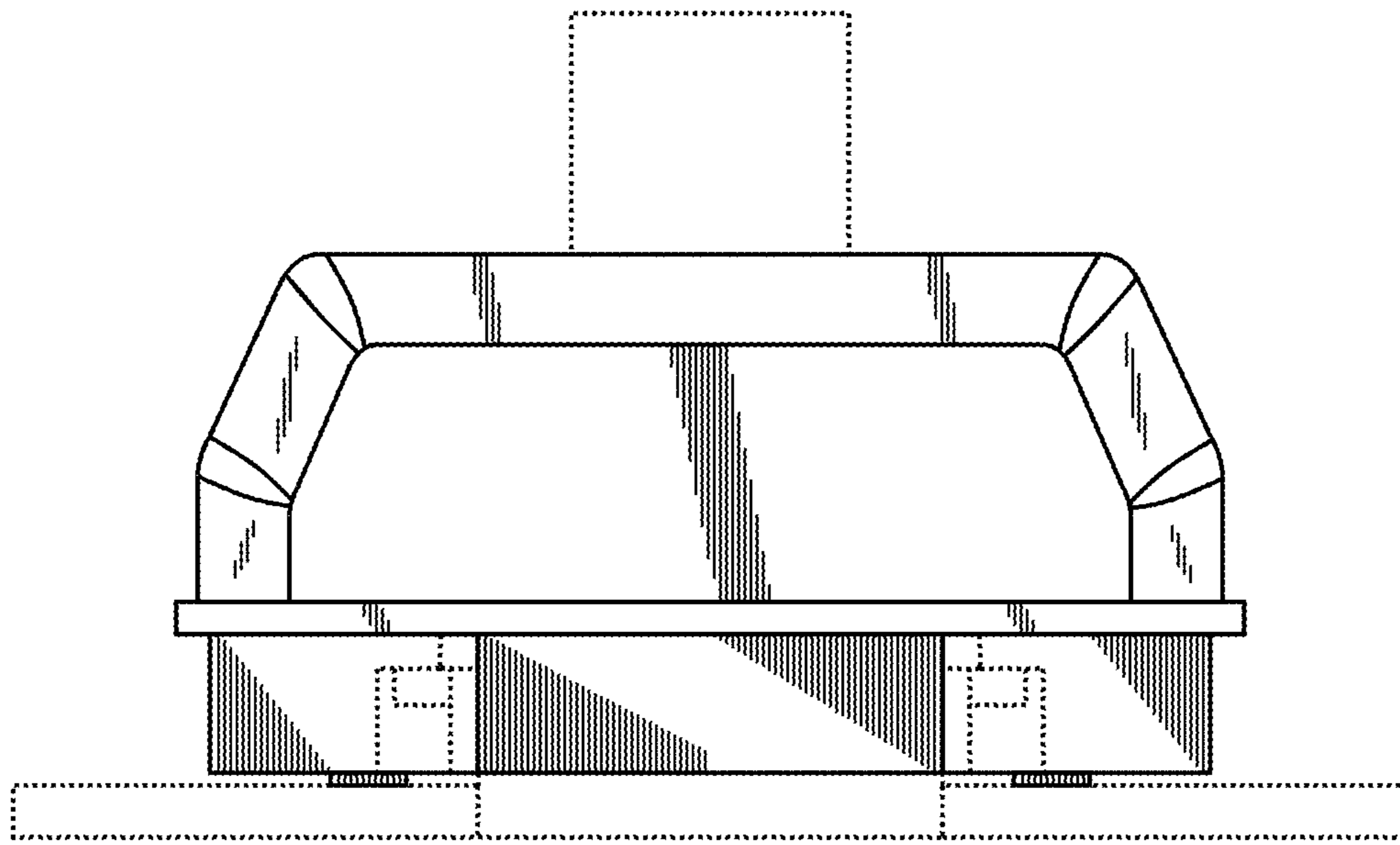


FIG. 10

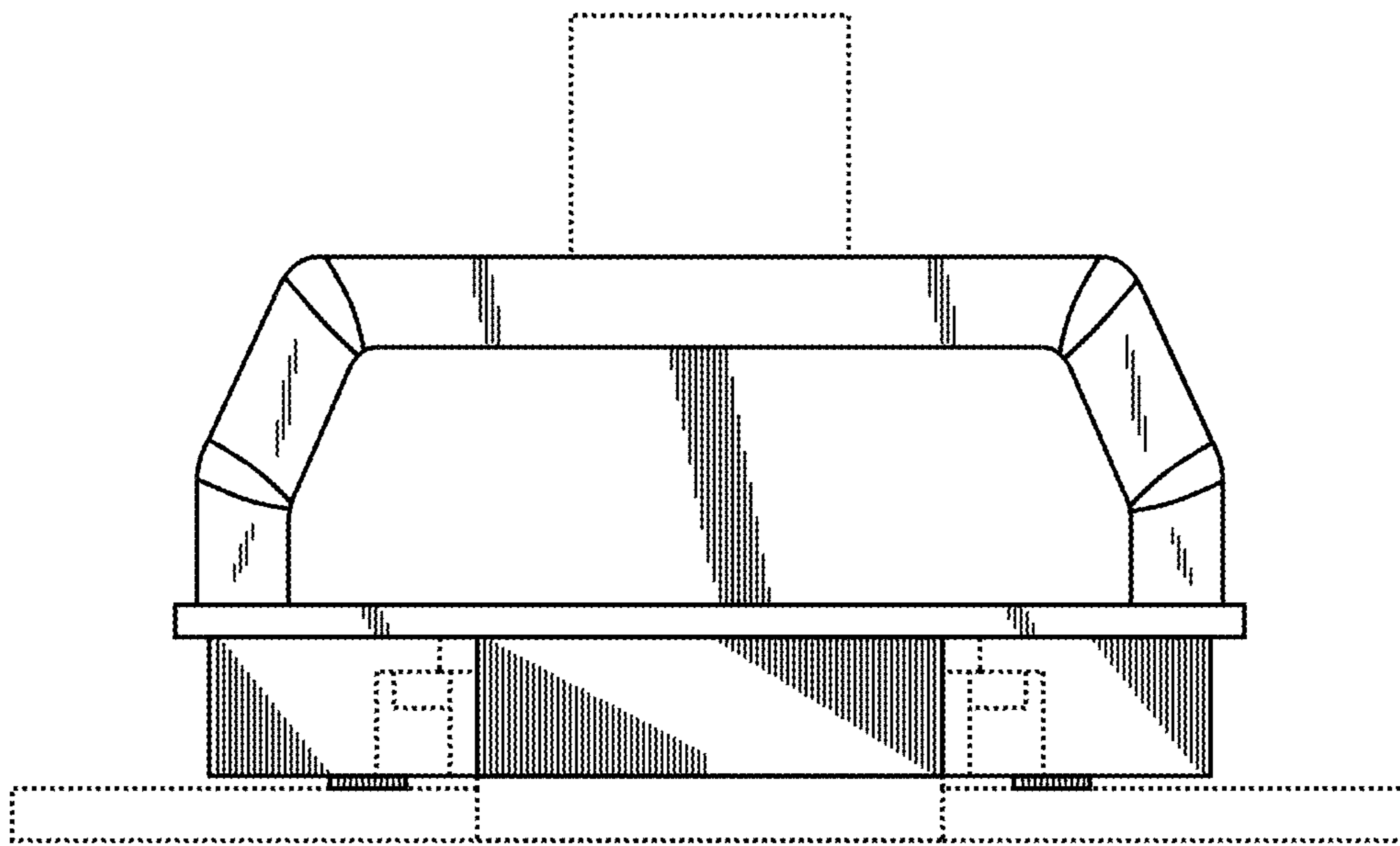


FIG. 11