



US00D810030S

(12) **United States Design Patent**
Velez et al.

(10) **Patent No.:** **US D810,030 S**
(45) **Date of Patent:** **** Feb. 13, 2018**

(54) **ELECTRIC POWER OUTLET RECEPTACLE**

- (71) Applicant: **LANDSCAPE FORMS, INC.**,
Kalamazoo, MI (US)
- (72) Inventors: **Efrain E. Velez**, Kalamazoo, MI (US);
Eric Nelson, Richland, MI (US)
- (73) Assignee: **LANDSCAPE FORMS, INC.**,
Kalamazoo, MI (US)

(**) Term: **15 Years**

(21) Appl. No.: **29/584,285**

(22) Filed: **Nov. 14, 2016**

(51) **LOC (11) Cl.** **13-03**

(52) **U.S. Cl.**
USPC **D13/152**

(58) **Field of Classification Search**
USPC D13/108–110, 133, 137.1–137.4,
D13/138.1–138.2, 139.1–139.8, 152–154,
D13/156, 173, 177, 151, 146, 147, 107;
D14/433, 435.1, 432; D8/350–353, 331,
D8/396, 398, 399, 382, 383, 387, 393,
D8/343

CPC H01R 25/00; H01R 25/006; H01R 25/003;
H01R 9/00; H01R 11/00; H01R 13/46;
H01R 13/62; H01R 13/639; H01R
13/6392; H02J 2007/0062; H02G 3/14

See application file for complete search history.

(56) **References Cited**

U.S. PATENT DOCUMENTS

D578,965 S *	10/2008	Dively	D13/152
7,834,267 B1 *	11/2010	Gretz	H02G 3/083 174/53
D641,707 S *	7/2011	Czarnecki	D13/152
D658,588 S *	5/2012	Justice	D13/156
D690,274 S *	9/2013	Greaney	D13/156
D780,697 S *	3/2017	Broere	D13/156

OTHER PUBLICATIONS

Horizontal or Vertical-Mount While in Use Weatherproof Cover, 1-Gang, Polycarbonate, manufactured by Taymac, Printout available online on Oct. 12, 2016 at: [9 Factors to Consider When Installing an Outdoor Outlet, printout available online on Nov. 11, 2016 at: <http://community.homedepot.com/howto/DiscussionDetail/9-Factors-to-Consider-When-Installing-an-Outdoor-Outlet-906500000000J7X>, 2 pages.](https://www.grainger.com/product/38R662?gclid=CKz0366Y1s8CFQcfhgod318KvA&cm__mmc=PPC:GOOGLEPLAA_-_Electrical_-_Electrical%20Boxes_-_38R662&AL!2966!3!50916776397!!!s!102361312197!&s__kwcid=AL!2966!3!50916776397!!!s!102361312197!&ef_id=UVx8qQAABDsvDhaE:20161012211739:s; 4 pages, downloaded Oct. 12, 2016.</p></div>
<div data-bbox=)

(Continued)

Primary Examiner — Rosemary K Tarcza

Assistant Examiner — Christy M Nemeth

(74) *Attorney, Agent, or Firm* — Heslin Rothenberg Farley & Mesiti P.C.

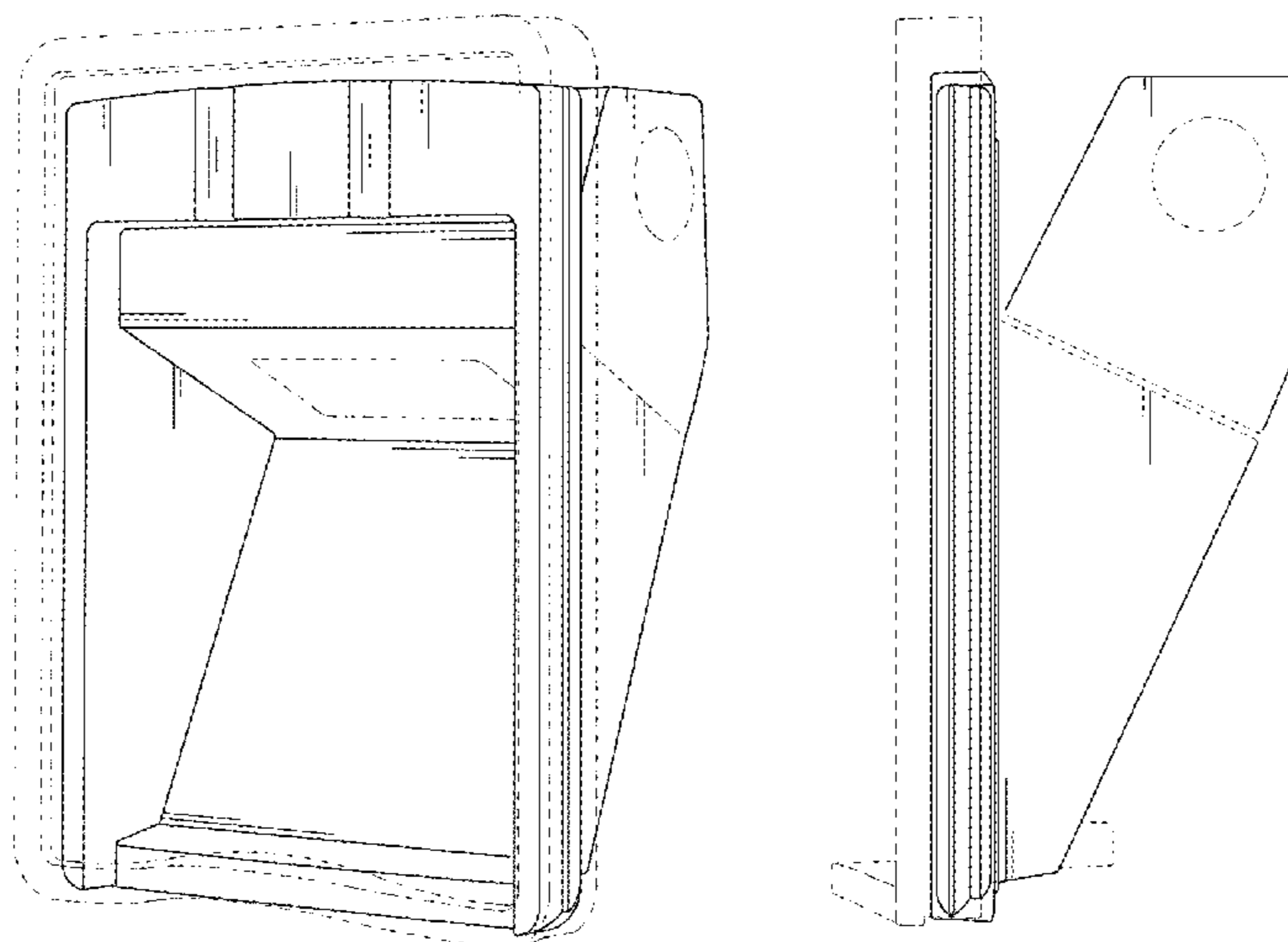
(57) **CLAIM**

The ornamental design for an electric power outlet receptacle, as shown and described.

DESCRIPTION

FIG. 1 is a perspective view of the electric power outlet receptacle, with the door closed, of the present design; FIG. 2 is a front elevation view thereof, FIG. 3 is a side elevation view thereof, FIG. 4 is a rear elevation view thereof, FIG. 5 is a top plan view thereof, FIG. 6 is a bottom plan view; and, FIG. 7 is a perspective view with the door open. The broken lines in the drawings are for the purpose of illustrating environment and portions of the electric power outlet receptacle that form no part of the claimed design.

1 Claim, 7 Drawing Sheets



(56)

References Cited

OTHER PUBLICATIONS

1-Gang Horizontal/Vertical Mount Weatherproof Expandable Low Profile Extra Duty White in Use Cover, manufactured by Hubbell, printout available online on Nov. 11, 2016 at: https://jet.com/product/detail/c7427975e1f74221b010e13f29df6adc?jcmp=pla:ggl:a_nj_dur_gen_hardware_a3_b2:hardware_a3_otherna:PLA_649018514_30290622022_pla-161716745820:na:na:28,code=PLA158<gclid=CMiq3KC-odACFUc-MgodUSwHtQ&gclid=ds.

Cal Flame Electrical Outlet; printout available online on Nov. 11, 2016 at: <http://livingoutfitters.com/electrical-outlet-outdoor-kitchen-accessories-cal-flame-optq851>, 1 page.

How do I install an outside electrical box on vinyl siding?, printout available online on Nov. 11, 2016 at: <http://diy.stackexchange.com/questions/15105/how-do-i-install-an-outdoor-receptacle-box-on-vinyl-siding>, 6 pages.

Hubbell-Bell MX1050W Weatherproof Single Outlet Cover, printout available online on Nov. 11, 2016 at: <https://www.amazon.com/MX1050W-Weatherproof-Receptacle-Protector-Vertical/dp/B003OBXXF6?th=1>, 3 pages.

Hubbell-Bell MX1050W Weatherproof Single Outlet Cover, printout available online on Nov. 11, 2016 at: <https://www.amazon.com/MX1050W-Weatherproof-Receptacle-Protector-Vertical/dp/B003OBXXF6?th=1>, 3 pages.

* cited by examiner

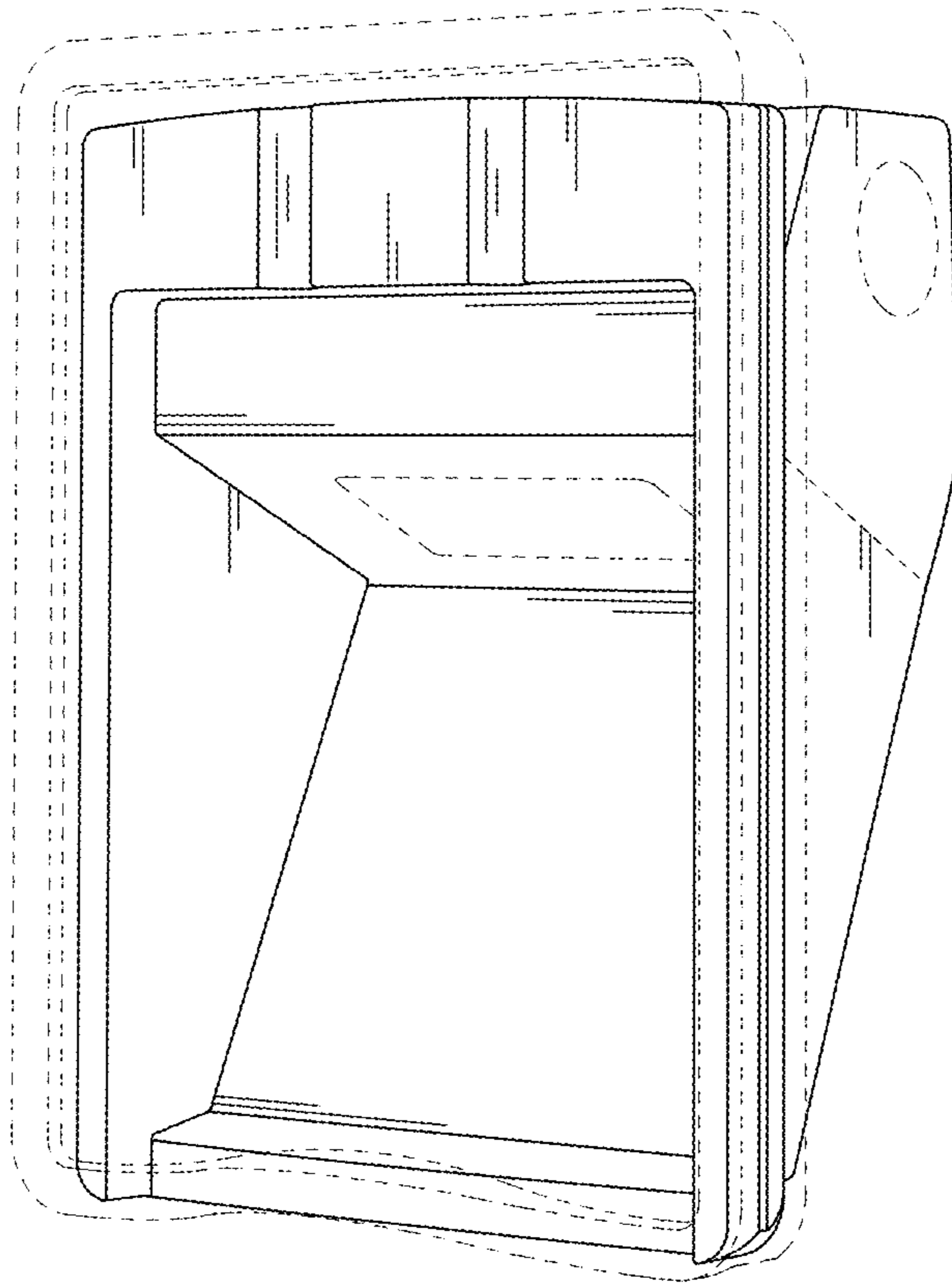


FIG. 1

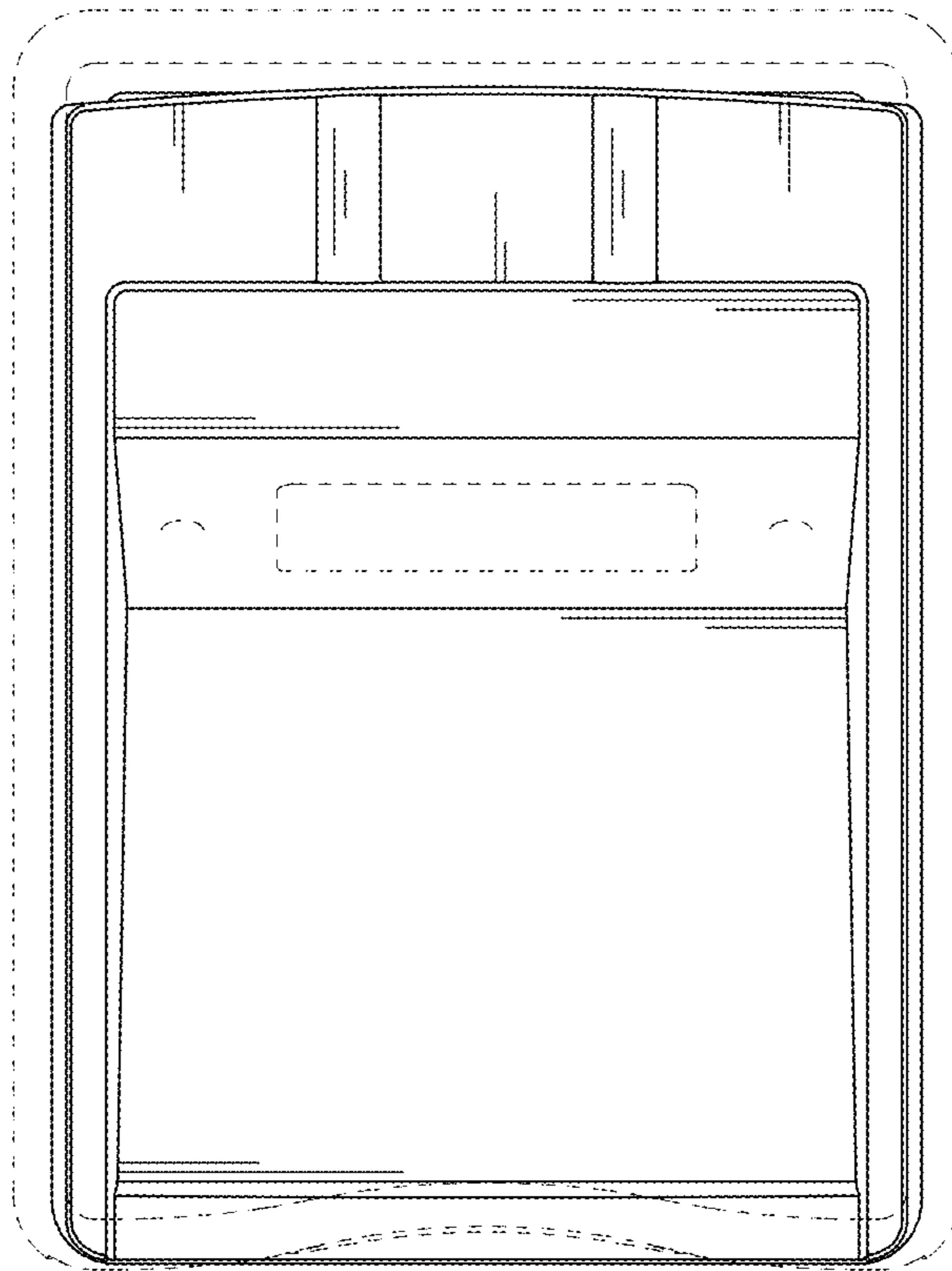


FIG. 2

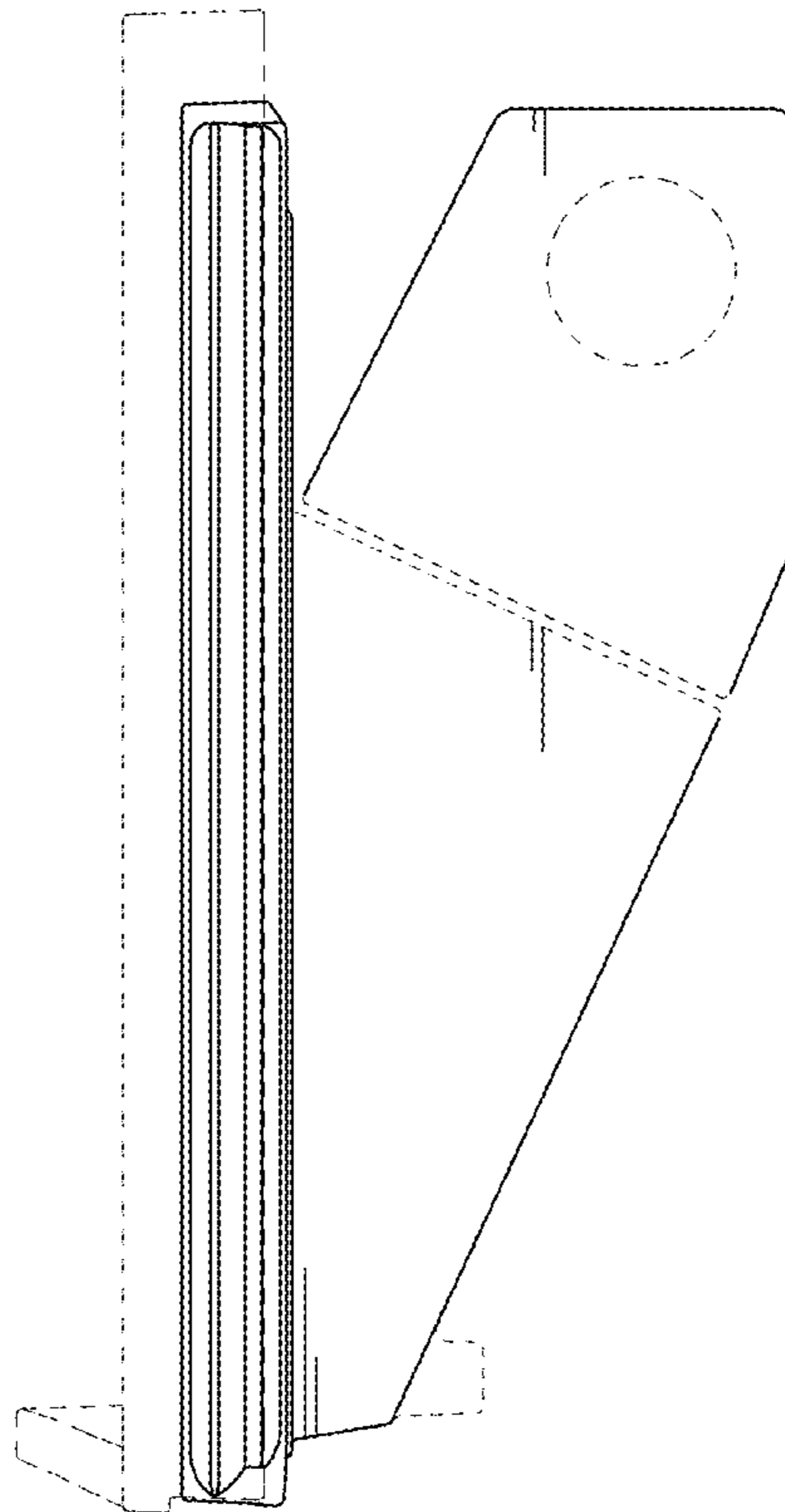


FIG. 3

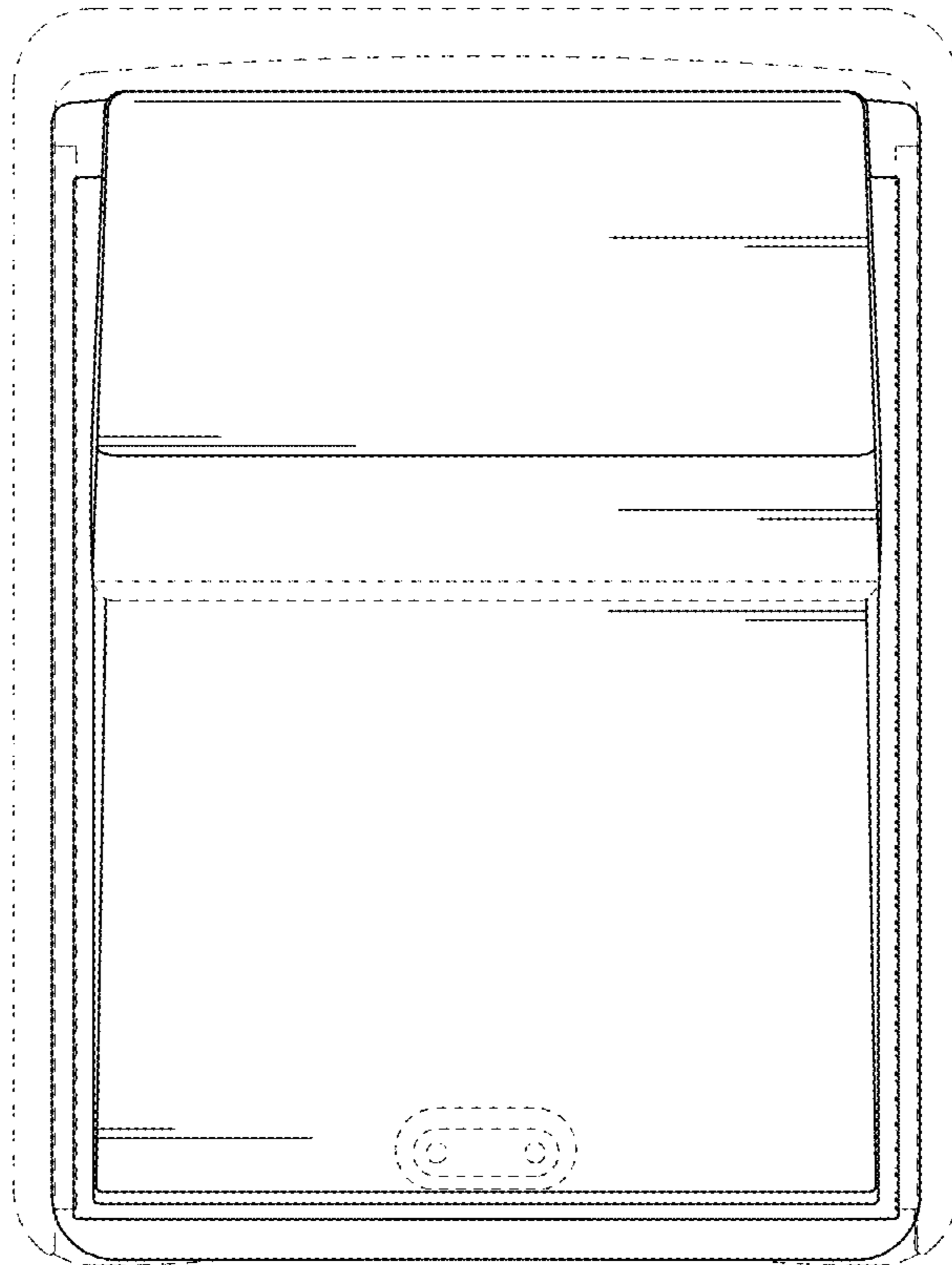


FIG. 4

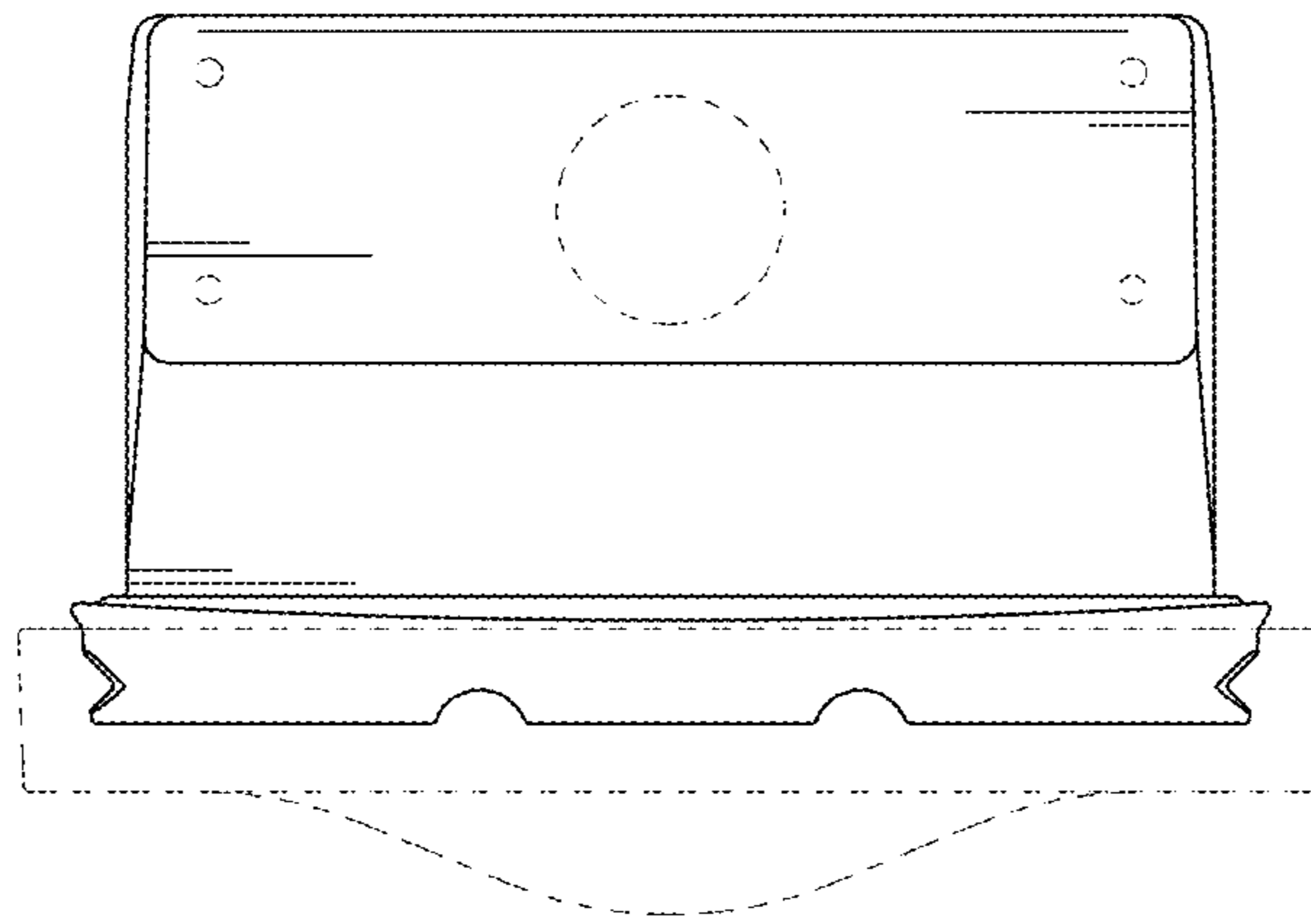


FIG. 5

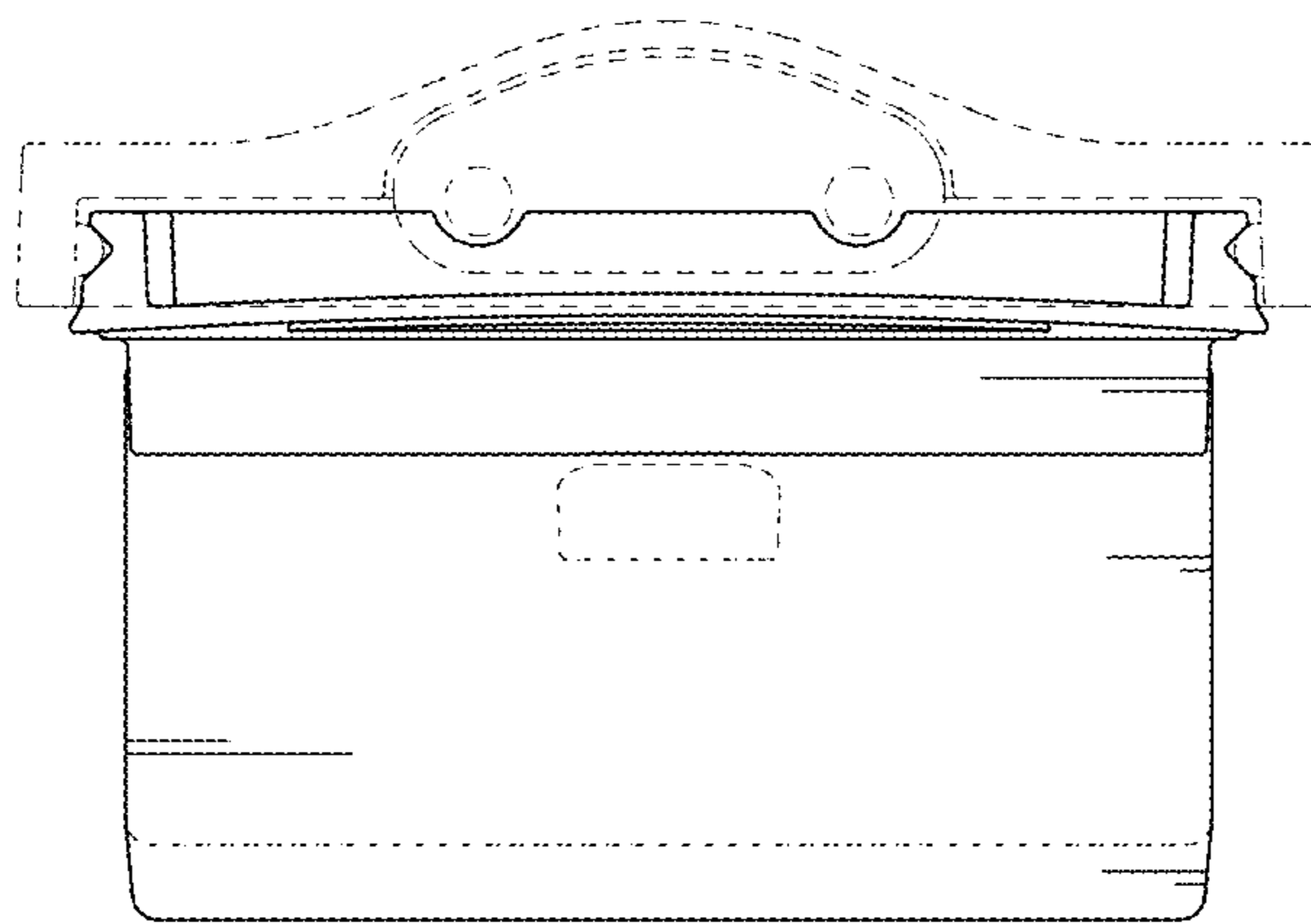


FIG. 6

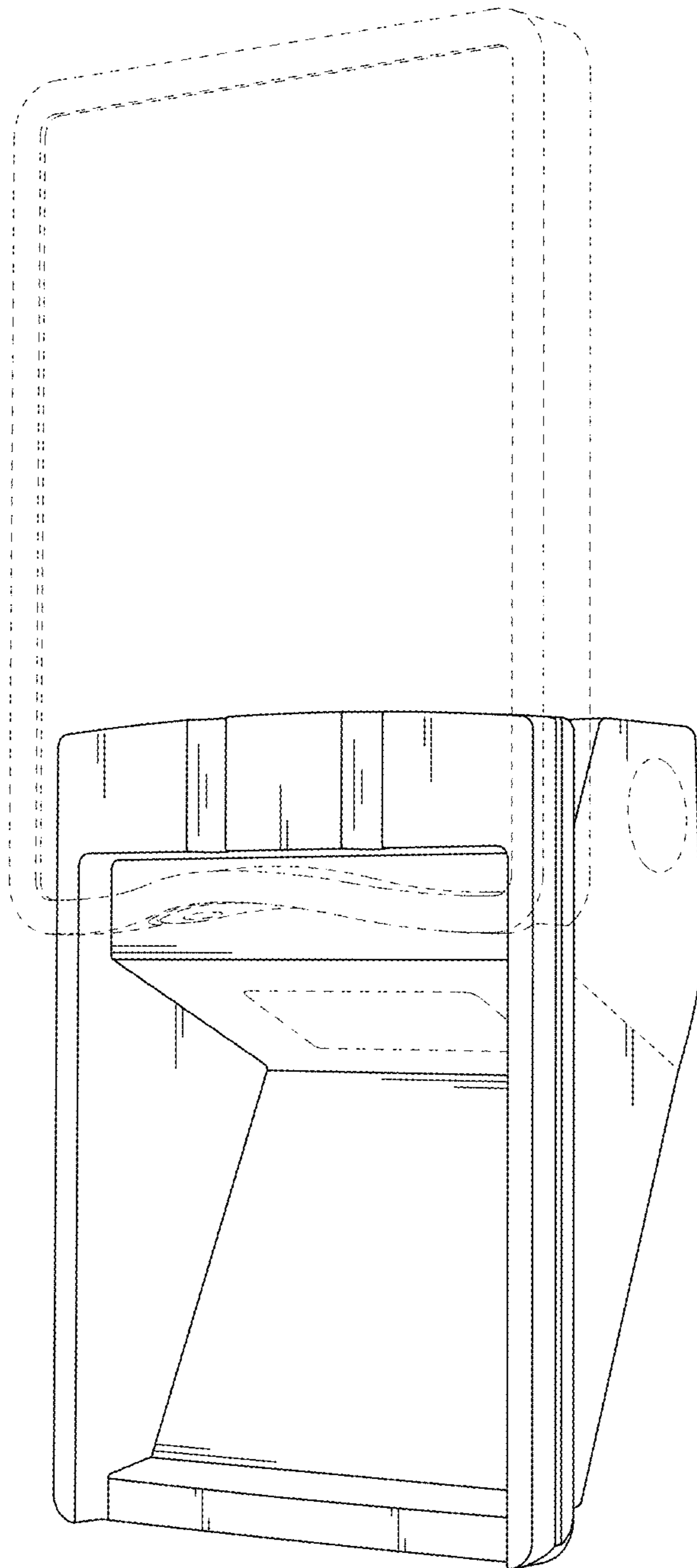


FIG. 7