



US00D810028S

(12) **United States Design Patent**
Lambrecht

(10) **Patent No.:** **US D810,028 S**

(45) **Date of Patent:** **** Feb. 13, 2018**

(54) **CONNECTOR INTERFACE FOR A CABLE**

D563,883 S *	3/2008	Dever	D13/147
D563,885 S *	3/2008	Dever	D13/147
D690,266 S *	9/2013	Dachs, II	D13/133
D703,612 S *	4/2014	Dachs, II	D13/146

(71) Applicant: **Intuitive Surgical Operations, Inc.**,
Sunnyvale, CA (US)

(72) Inventor: **Bram Gilbert Antoon Lambrecht**,
Redwood City, CA (US)

(73) Assignee: **INTUITIVE SURGICAL OPERATIONS, INC.**, Sunnyvale, CA (US)

(**) Term: **15 Years**

(21) Appl. No.: **29/571,129**

(22) Filed: **Jul. 14, 2016**

(51) **LOC (11) Cl.** **13-03**

(52) **U.S. Cl.**
USPC **D13/147**

(58) **Field of Classification Search**
USPC D13/133, 146, 147, 154, 184, 199
CPC H01R 12/58; H01R 12/592; H01R 12/616;
H01R 12/777; H01R 12/778; H01R 13/26;
H01R 13/28; H01R 13/6315;
H01R 13/6586; H01R 13/6595
See application file for complete search history.

(56) **References Cited**

U.S. PATENT DOCUMENTS

D487,724 S *	3/2004	Hsiao	D13/145
D552,034 S *	10/2007	Hobson	D13/133

* cited by examiner

Primary Examiner — Daniel Bui

(74) *Attorney, Agent, or Firm* — Jones Robb, PLLC

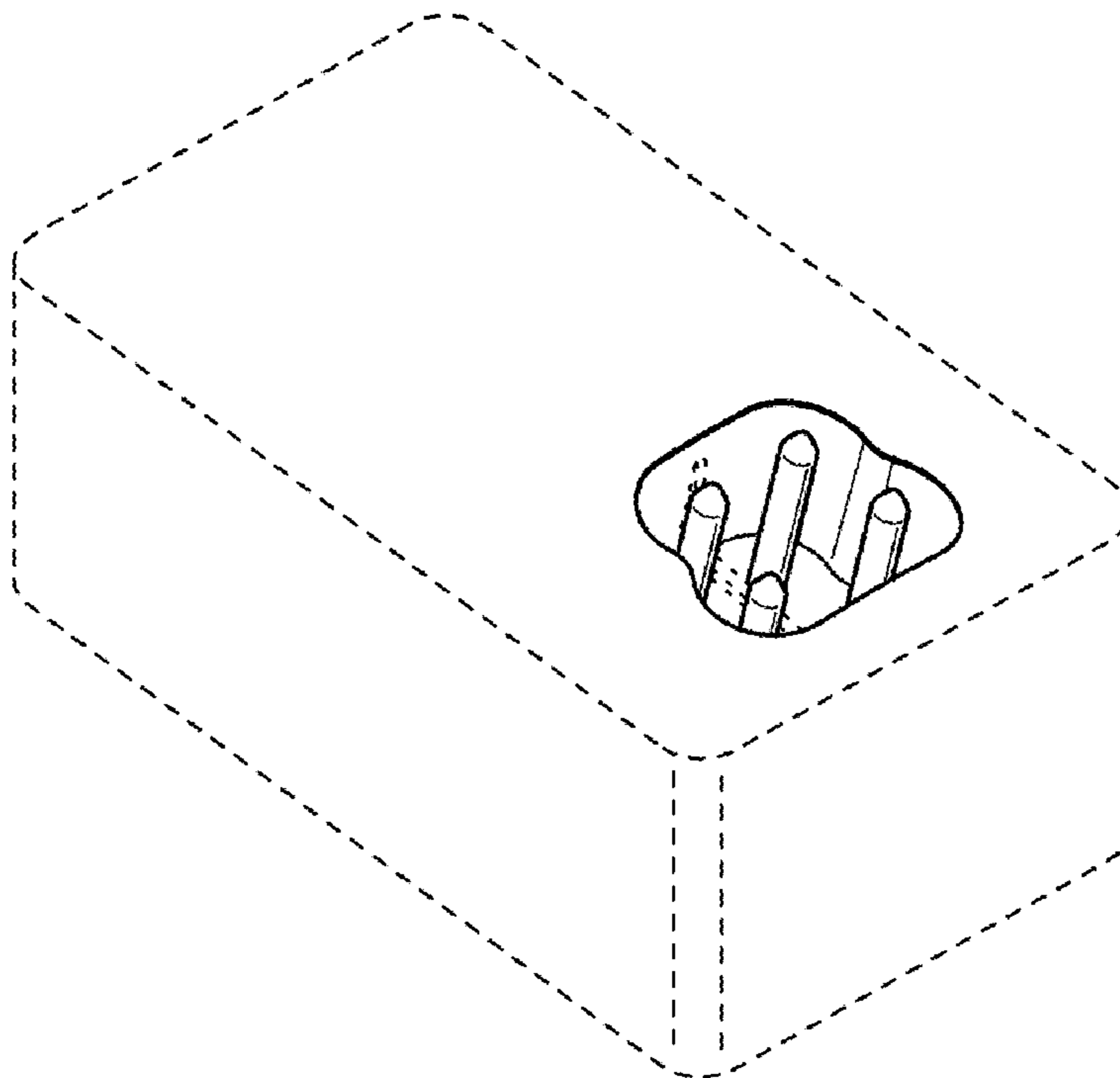
(57) **CLAIM**

The ornamental design for a connector interface for a cable, as shown and described.

DESCRIPTION

FIG. 1 is a top and left side perspective view of a connector interface for a cable showing my new design.
FIG. 2 is top perspective view thereof.
FIG. 3 is a front, top perspective view thereof; and,
FIG. 4 is top view thereof.
Shade lines in the figures show curvature and not surface ornamentation.
The broken line shown in the drawing views represents unclaimed environmental only and forms no part of the claimed design.

1 Claim, 1 Drawing Sheet



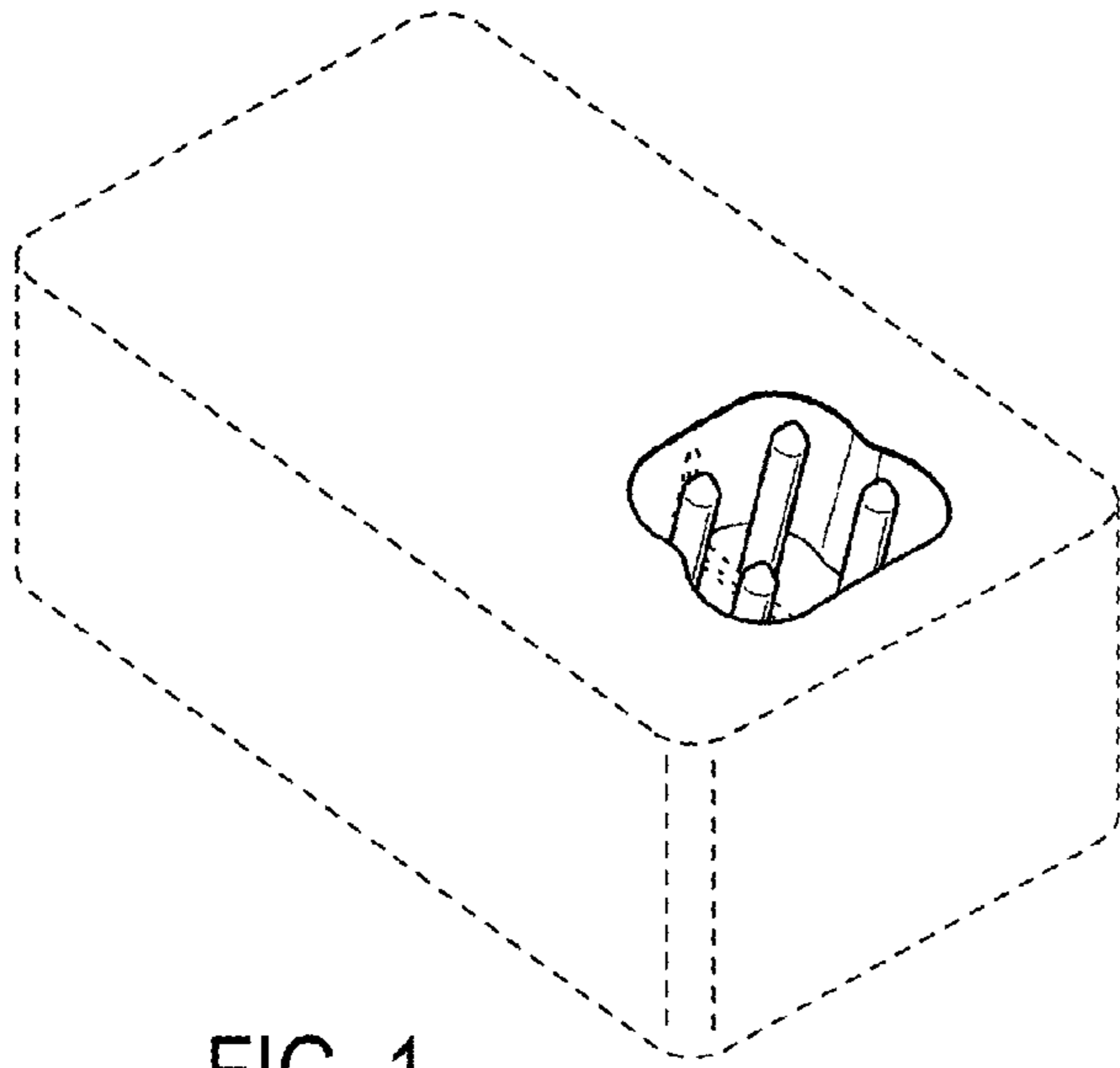


FIG. 1

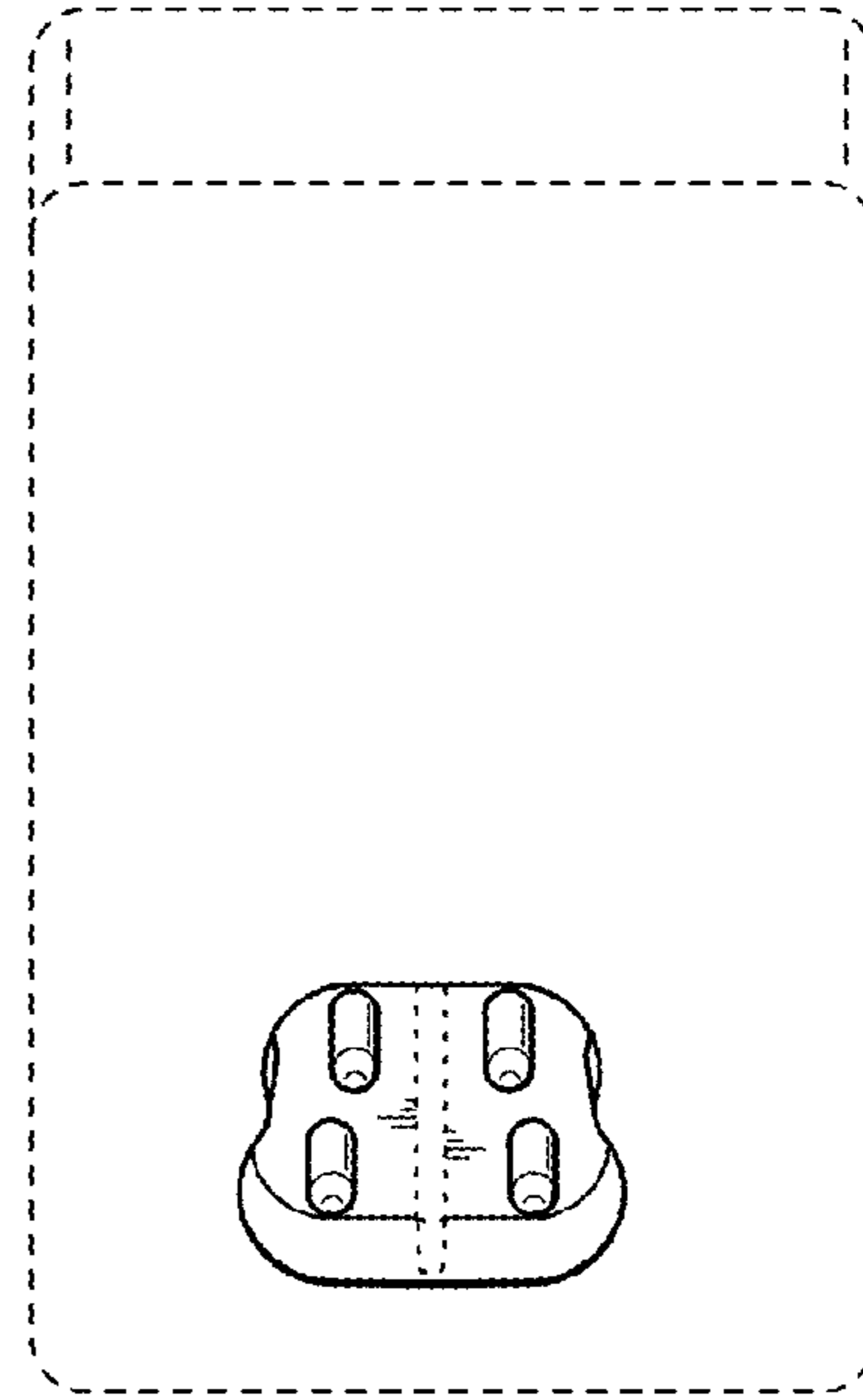


FIG. 2

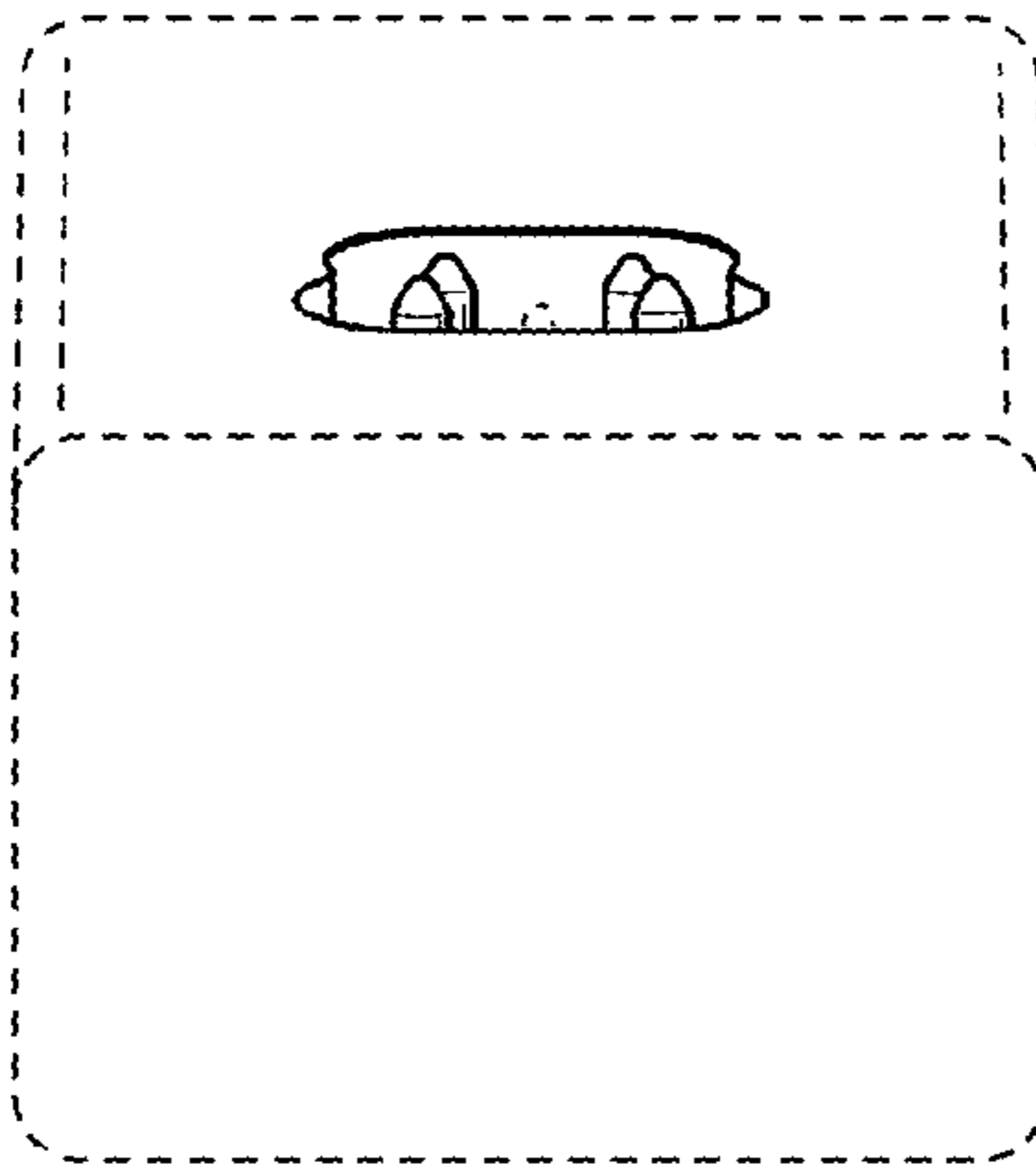


FIG. 3

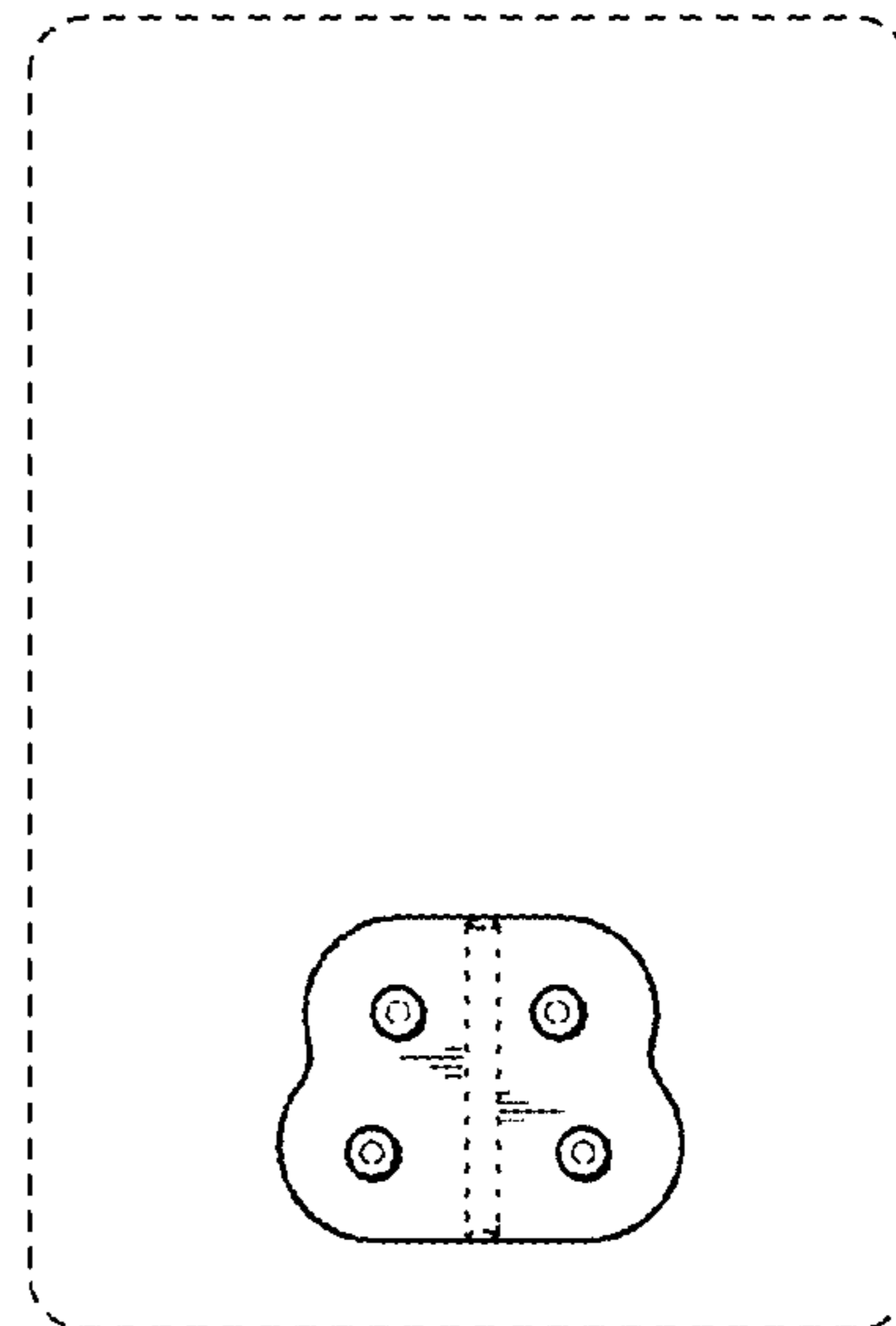


FIG. 4