



US00D810027S

(12) **United States Design Patent**
de Jong et al.

(10) **Patent No.:** **US D810,027 S**

(45) **Date of Patent:** **** Feb. 13, 2018**

(54) **OPTICAL CONNECTOR**

(71) Applicant: **CORNING OPTICAL COMMUNICATIONS LLC**, Hickory, NC (US)

(72) Inventors: **Michael de Jong**, Colleyville, TX (US); **Esteban Belisario Marin**, Hickory, NC (US); **Hieu Vinh Tran**, Charlotte, NC (US)

(73) Assignee: **Corning Optical Communications LLC**, Hickory, NC (US)

(**) Term: **15 Years**

(21) Appl. No.: **29/546,951**

(22) Filed: **Nov. 30, 2015**

(51) **LOC (11) Cl.** **13-03**

(52) **U.S. Cl.**
USPC **D13/147**

(58) **Field of Classification Search**
USPC D13/133, 146, 147, 154, 184, 199
CPC G02B 6/32; G02B 6/3652; G02B 6/3829;
G02B 6/3849; G02B 6/3853; G02B 6/3861; G02B 6/3883; G02B 6/3885;
G02B 6/3887; G02B 6/3879; G02B 7/02
See application file for complete search history.

(56) **References Cited**

U.S. PATENT DOCUMENTS

5,193,133 A 3/1993 Schofield et al.
5,333,223 A 7/1994 Schofield et al.
6,957,920 B2 10/2005 Luther et al.
7,354,202 B1 4/2008 Luger

8,016,491 B2 9/2011 Takaoka et al.
8,523,459 B2 9/2013 Danley et al.
2009/0041412 A1 2/2009 Danley et al.
2012/0051697 A1 3/2012 Kadar-Kallen et al.

FOREIGN PATENT DOCUMENTS

JP 1048468 A 2/1998
JP 20026177 A 1/2002
JP 2010122331 A 6/2010

Primary Examiner — Daniel Bui

(74) *Attorney, Agent, or Firm* — Adam R. Weeks

(57) **CLAIM**

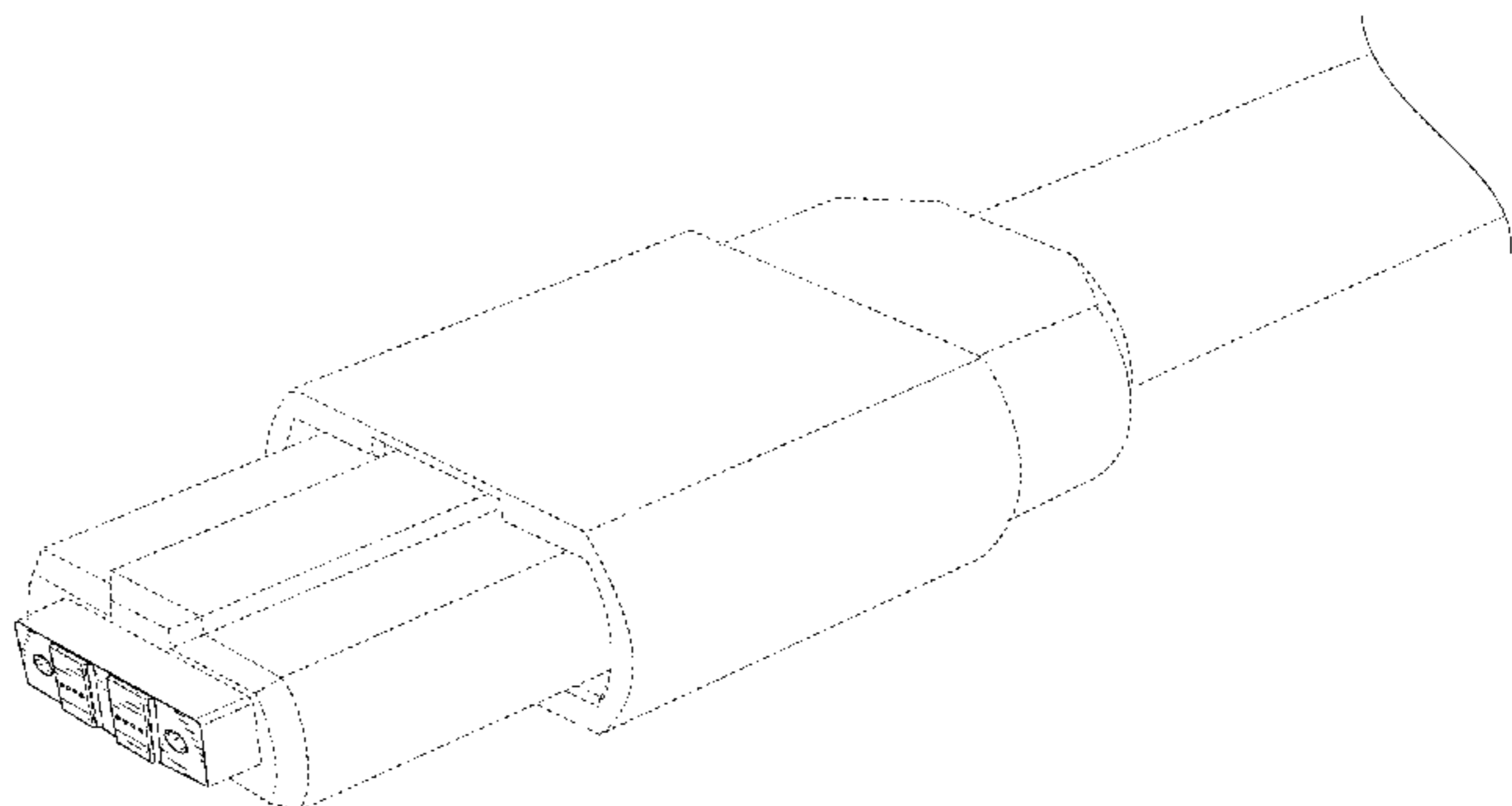
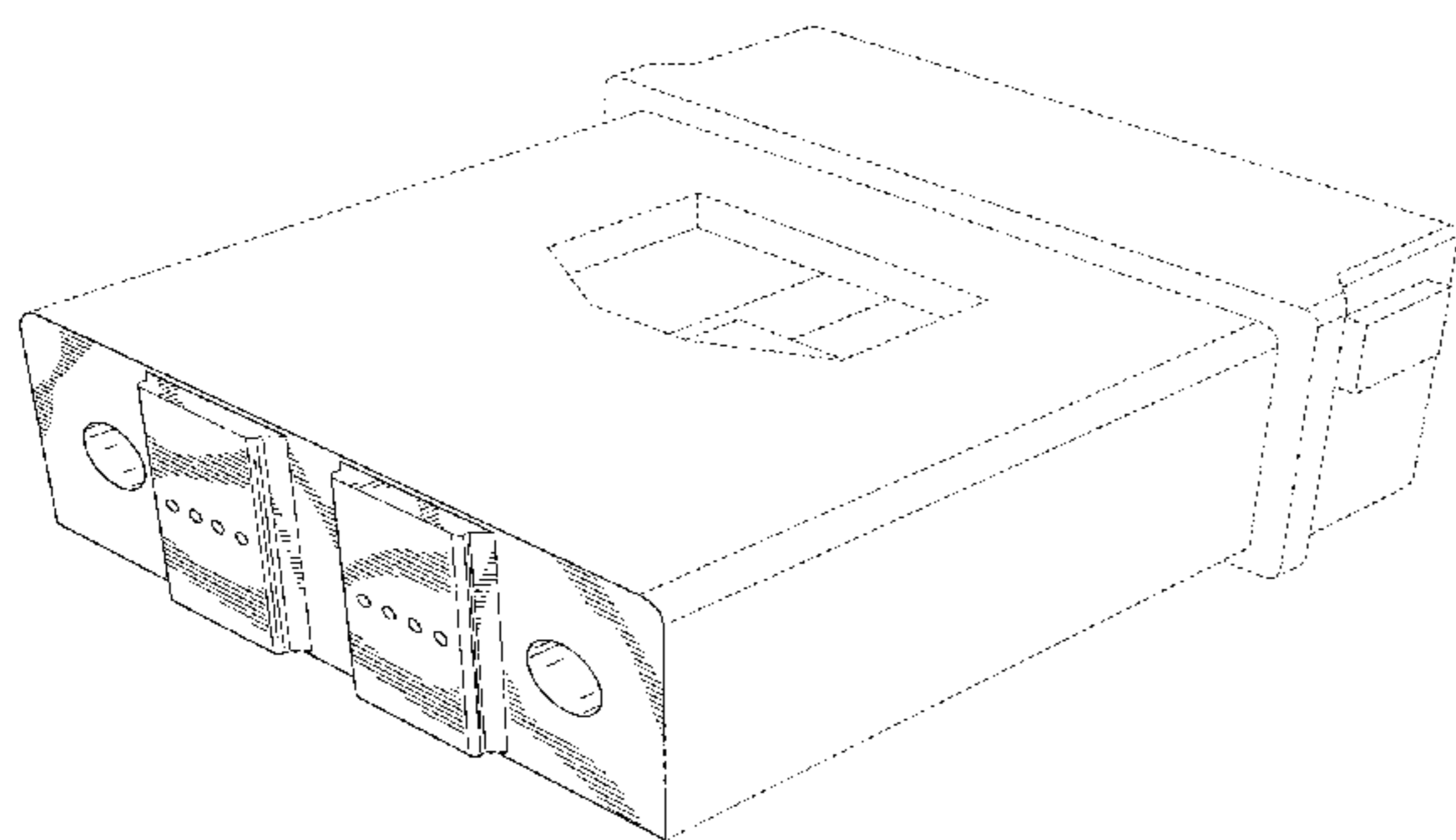
The design for an optical connector, as shown and described.

DESCRIPTION

FIG. 1 is a perspective view of the first embodiment of an optical connector showing our new design; FIG. 2 is a front elevation view thereof; FIG. 3 is a back side elevation view thereof; FIG. 4 is a right side elevation view thereof; FIG. 5 is a left side elevation view thereof; FIG. 6 is a top plan view thereof; FIG. 7 is a bottom plan view thereof; FIG. 8 is a perspective view of the second embodiment of an optical connector showing our new design; FIG. 9 is a front elevation view thereof; FIG. 10 is a back side elevation view thereof; FIG. 11 is a right side elevation view thereof; FIG. 12 is a left side elevation view thereof; FIG. 13 is a top plan view thereof; and, FIG. 14 is a bottom plan view thereof.

The broken line shown in the drawing views represents unclaimed environmental only and forms no part of the claimed design.

1 Claim, 9 Drawing Sheets



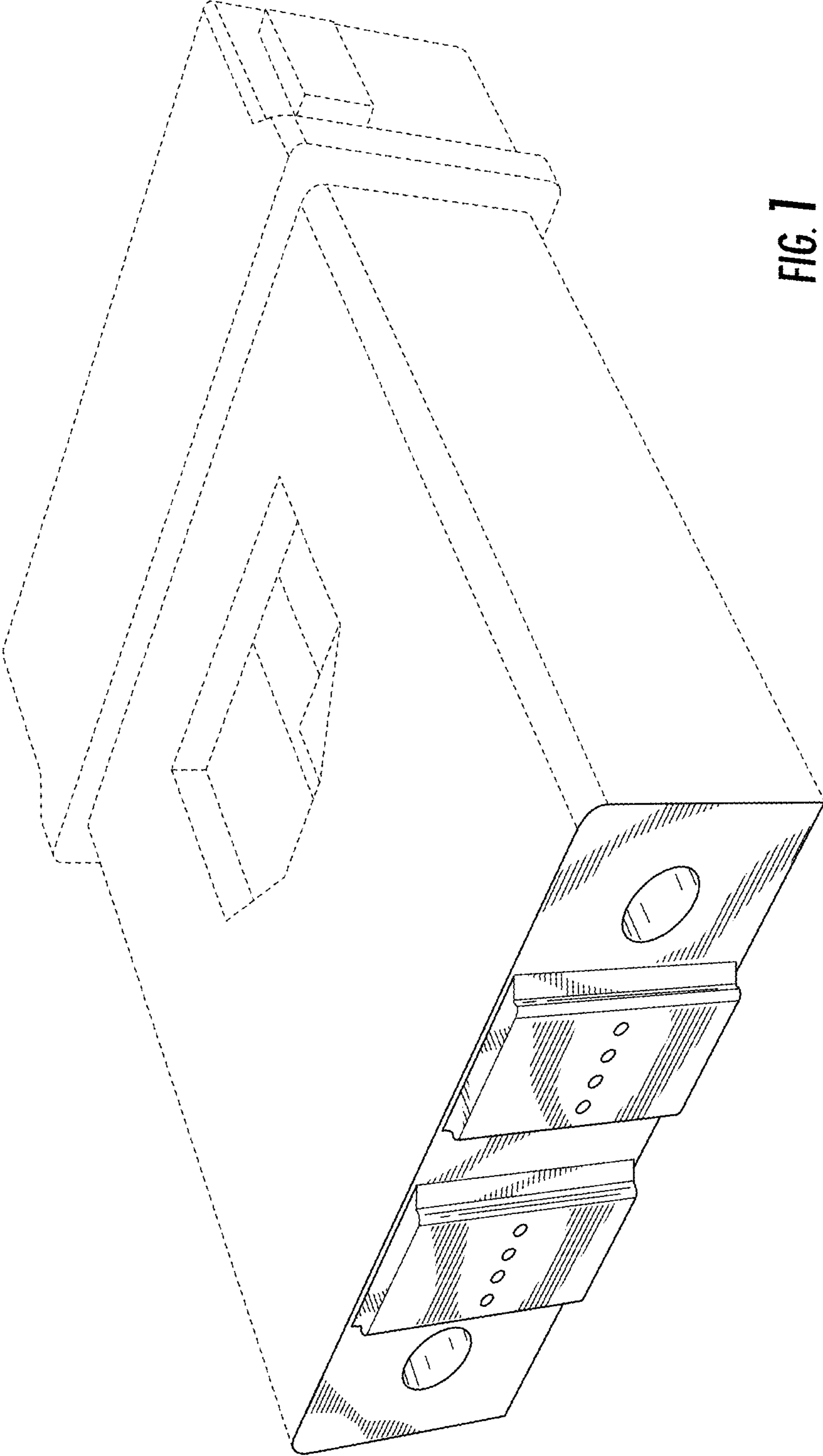


FIG. 1

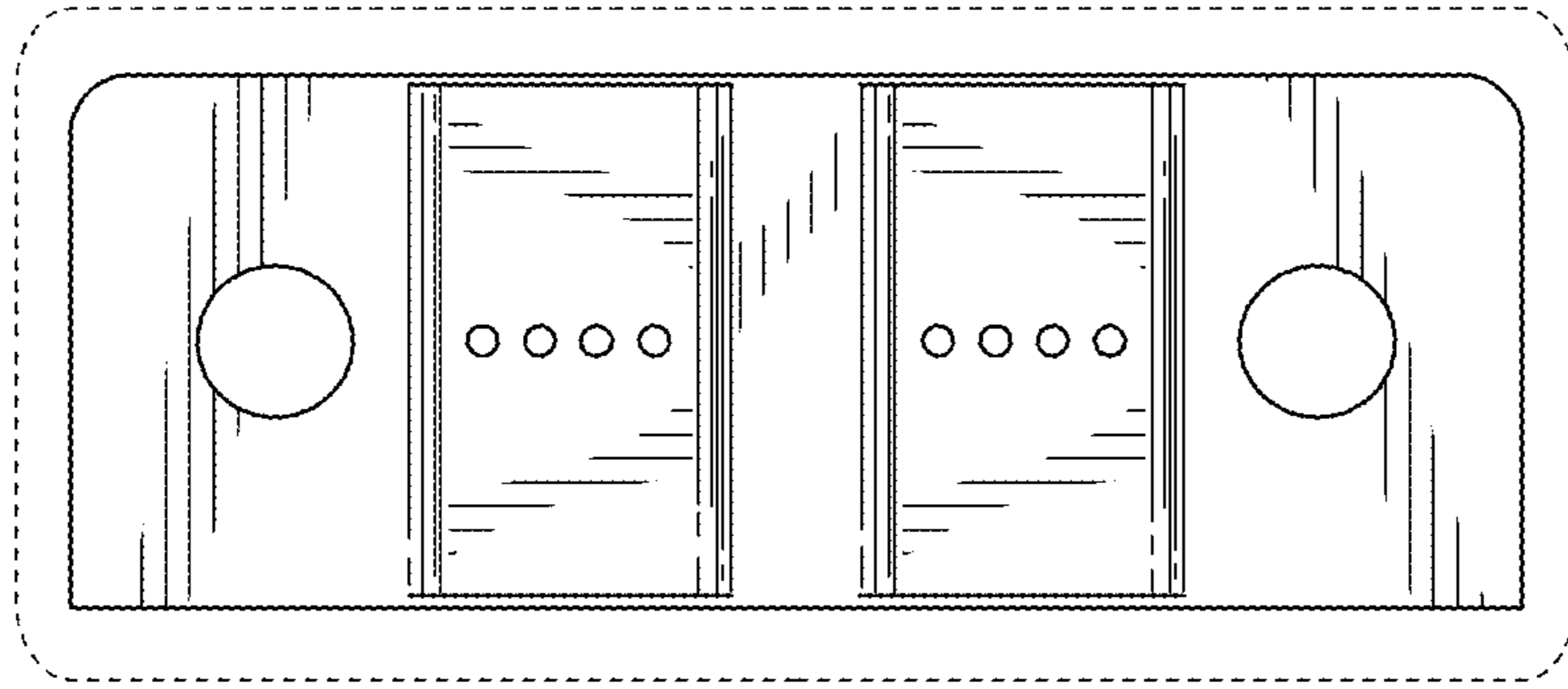


FIG. 2

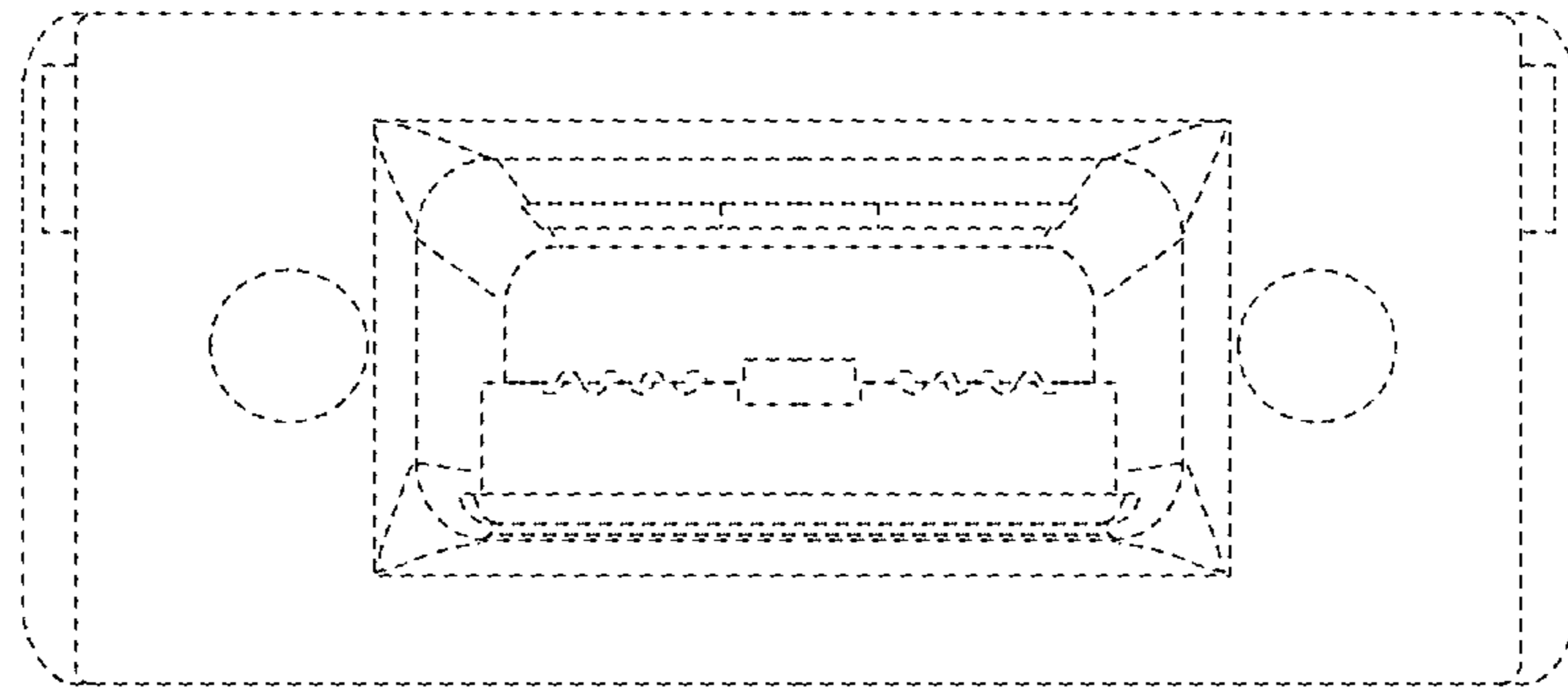


FIG. 3

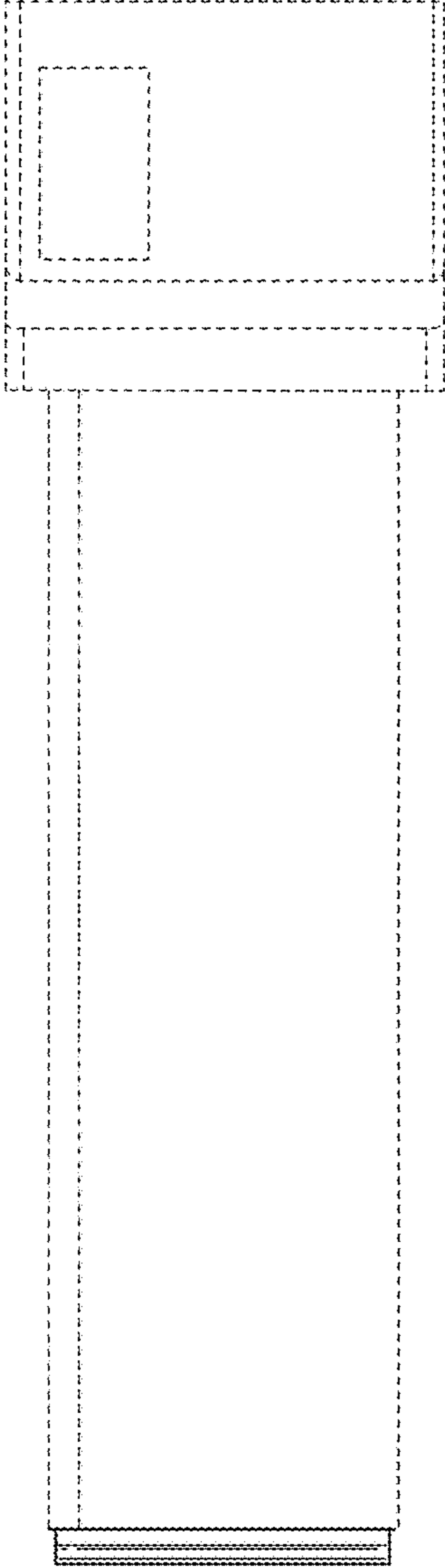


FIG. 4

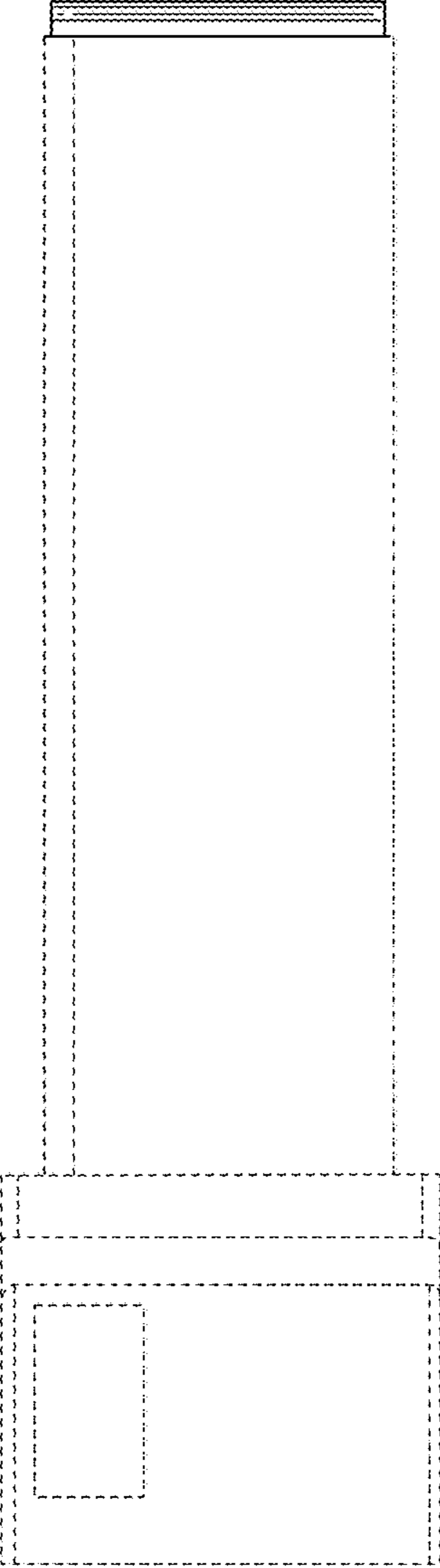


FIG. 5

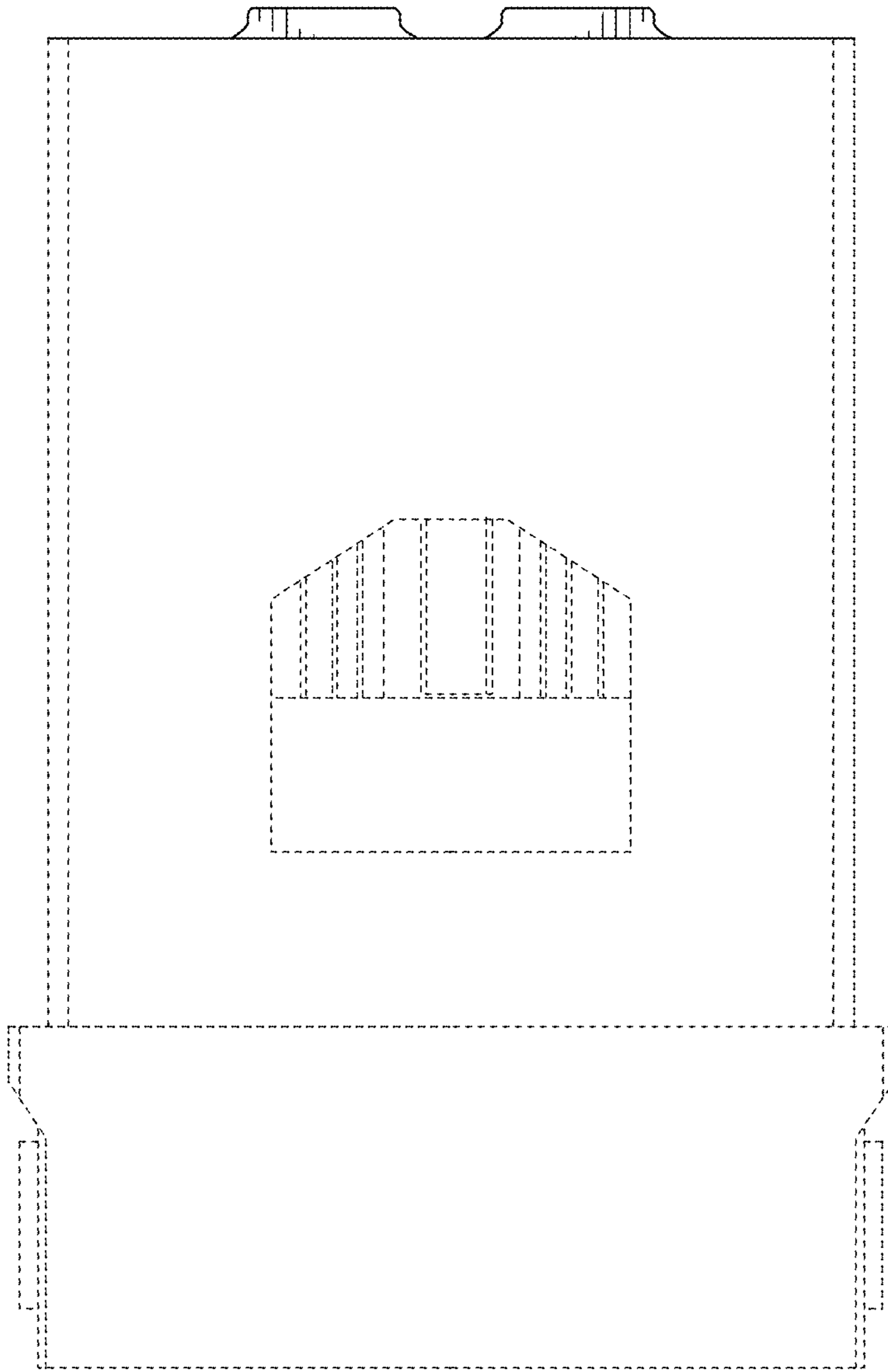


FIG. 6

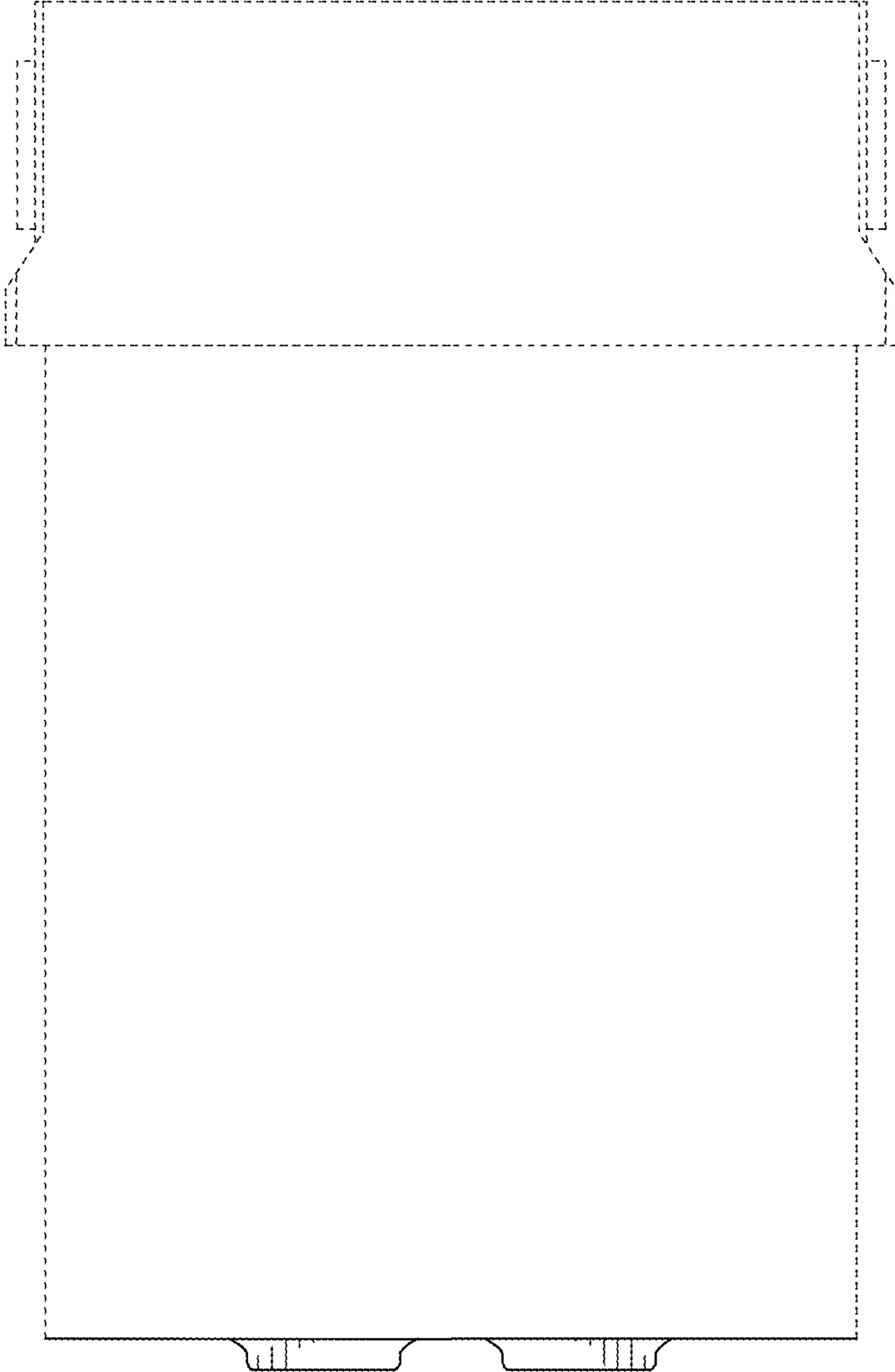


FIG. 7

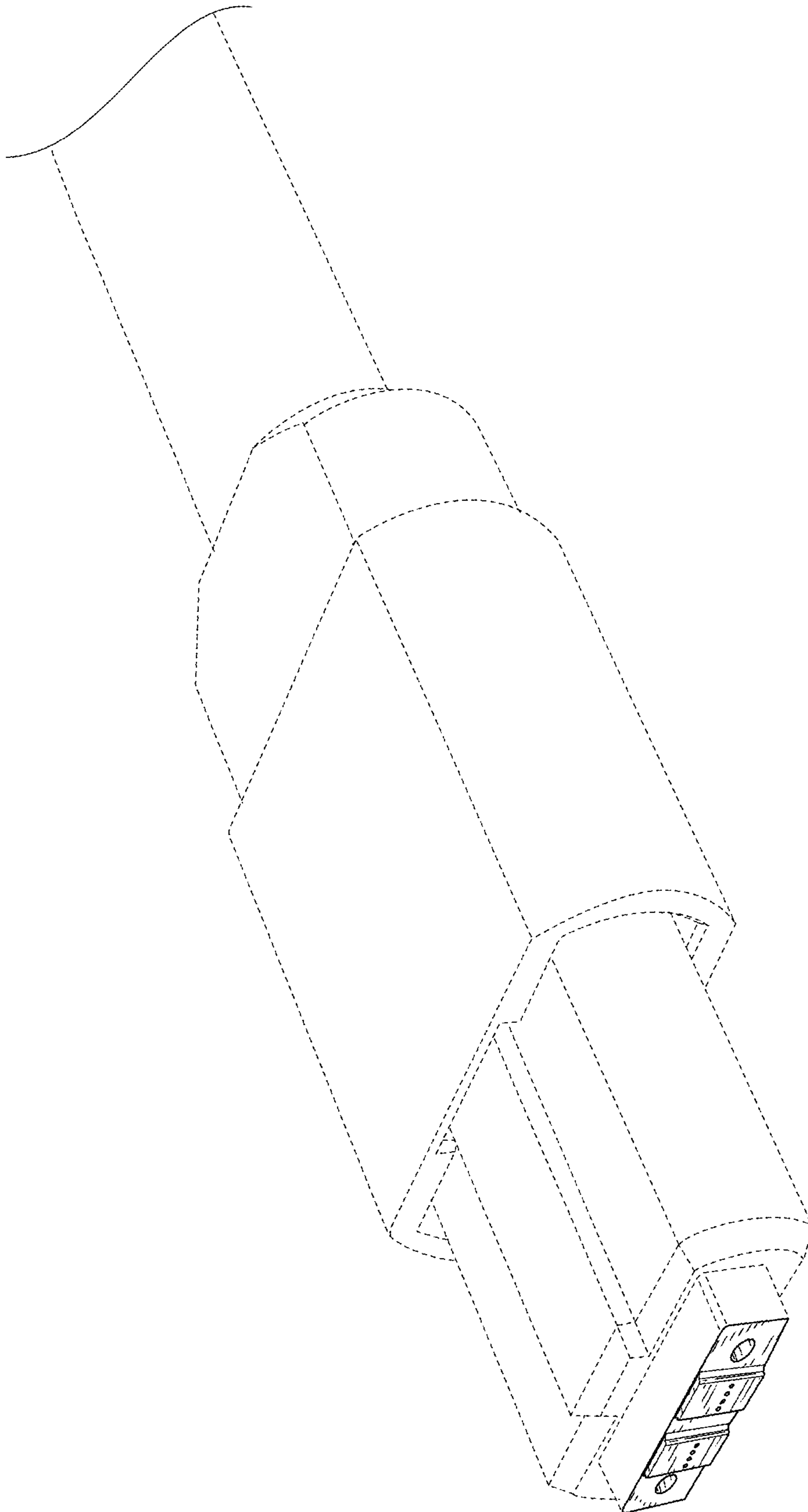


FIG. 8

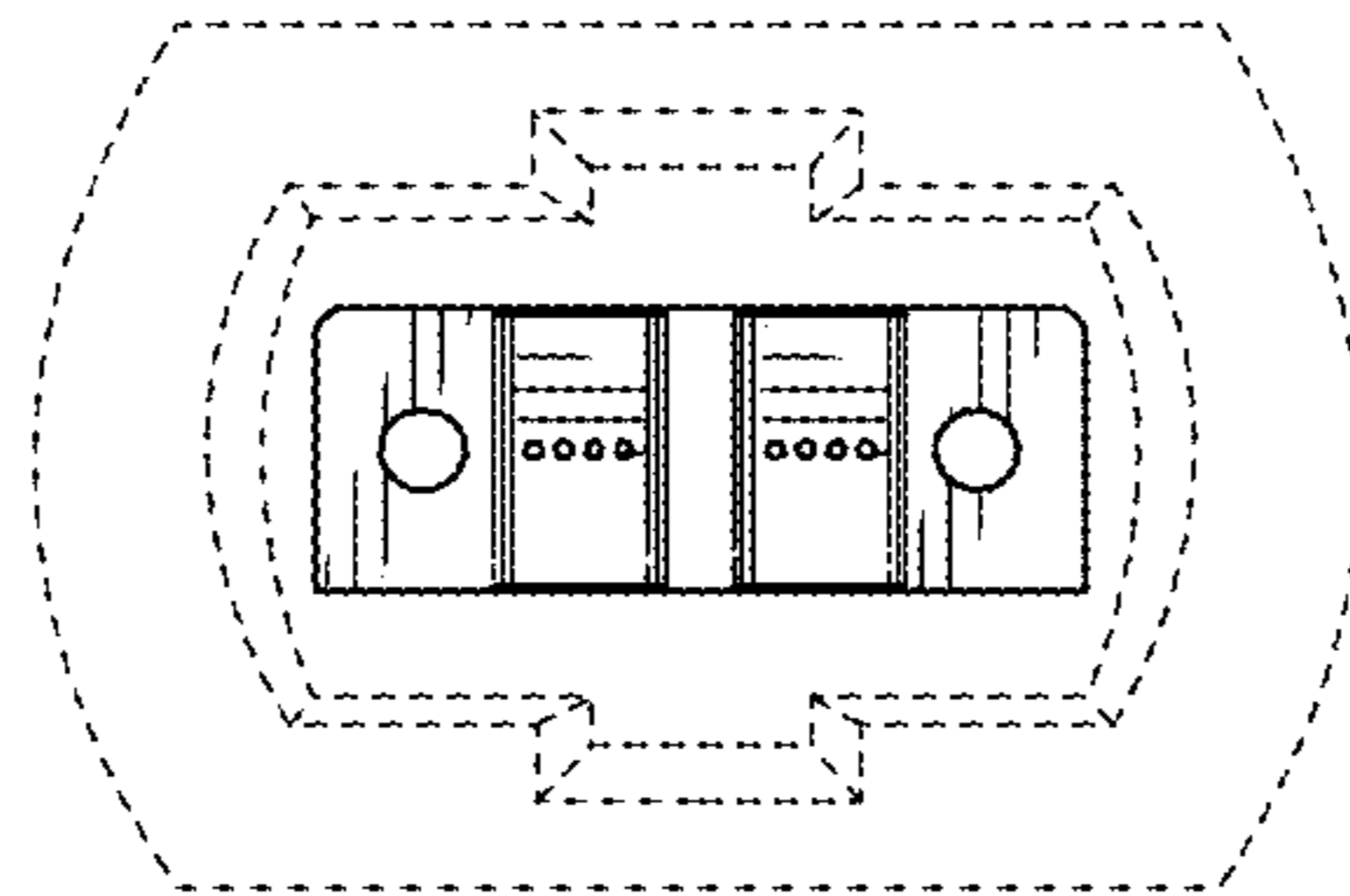


FIG. 9

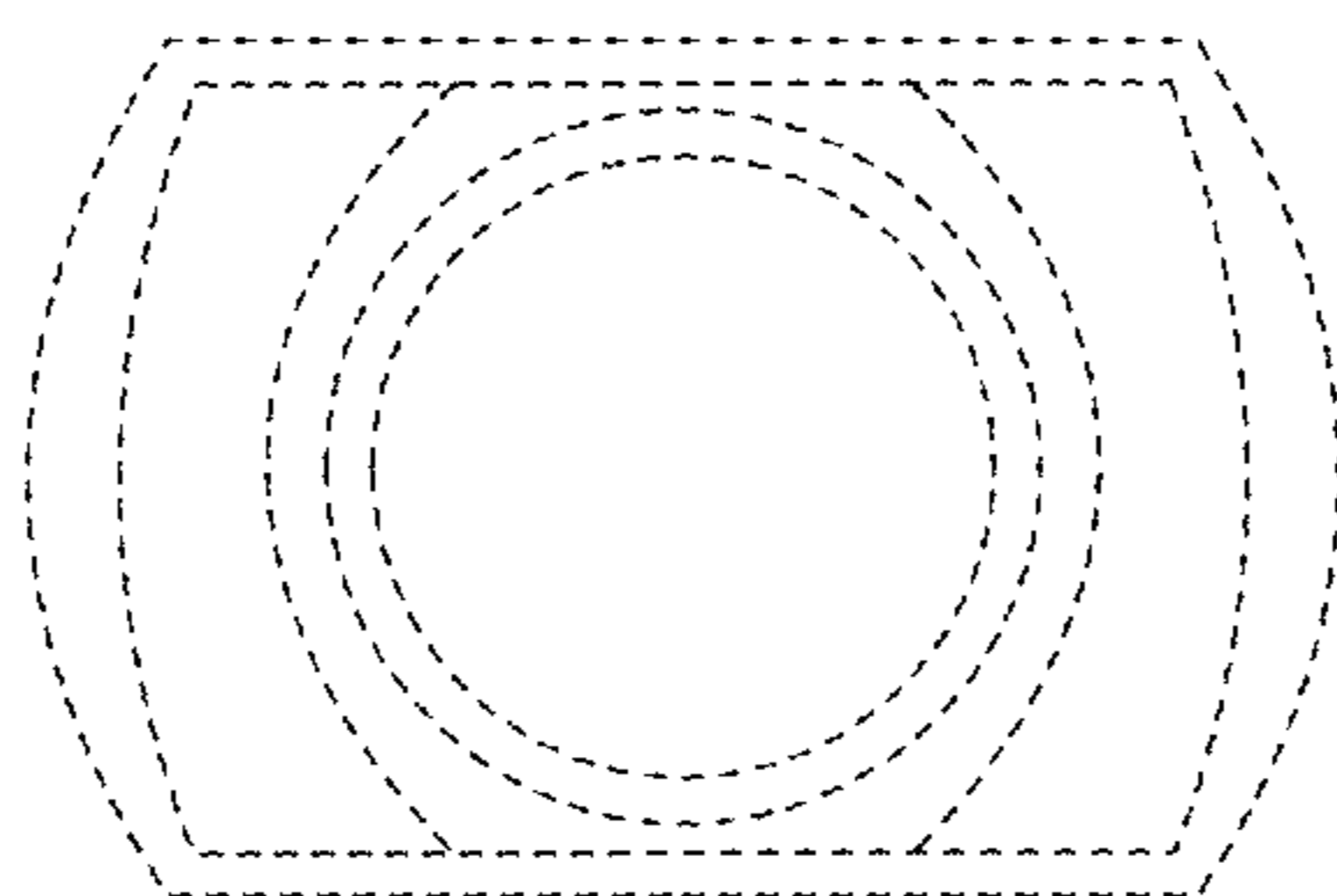


FIG. 10

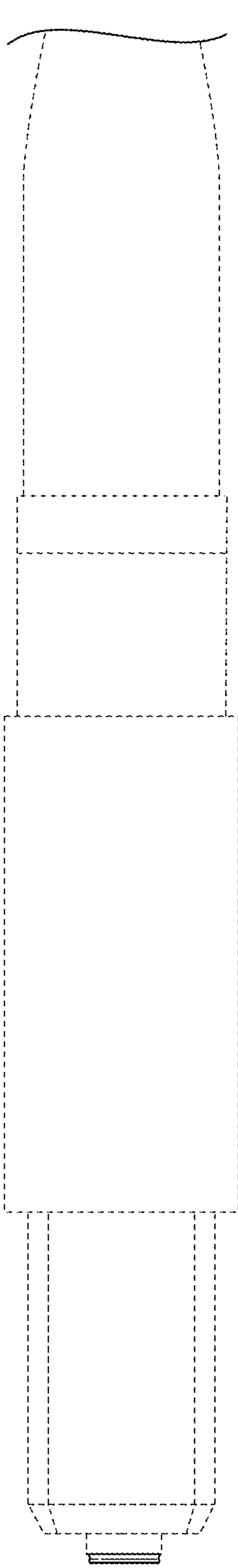


FIG. 11

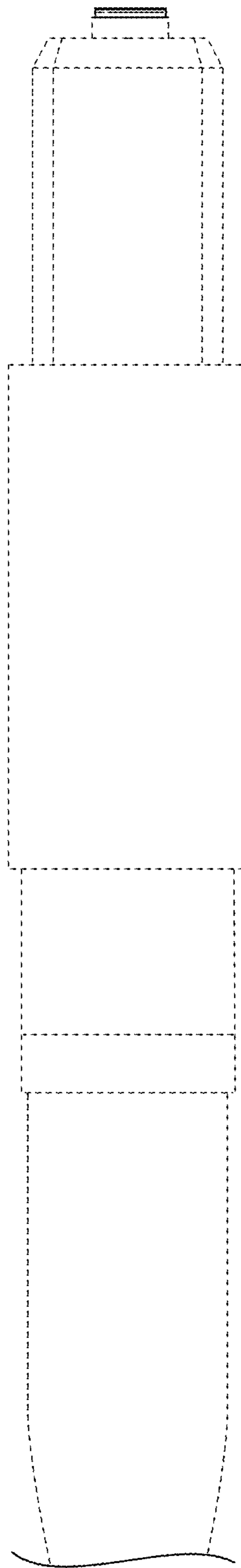


FIG. 12

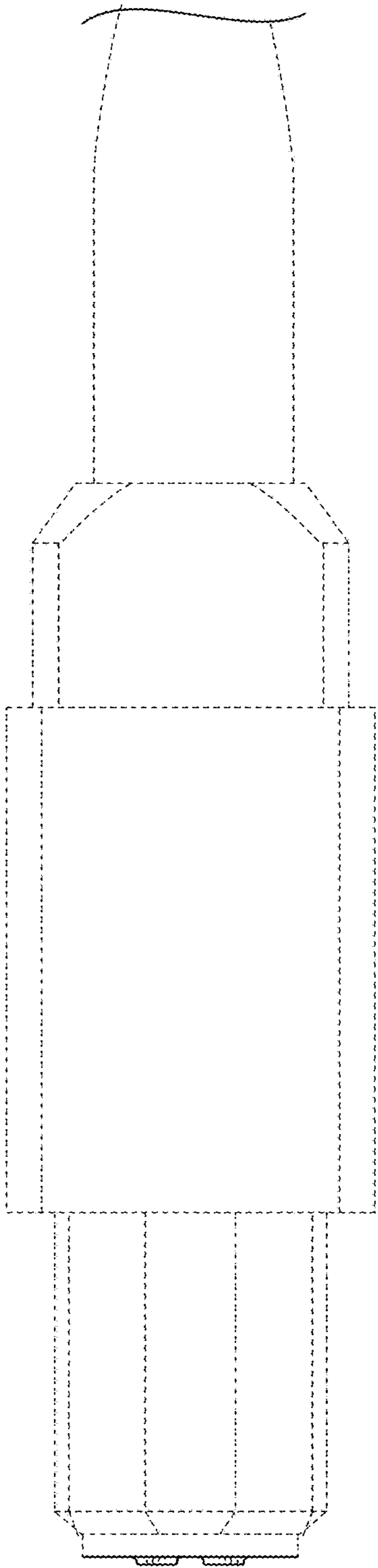


FIG. 13

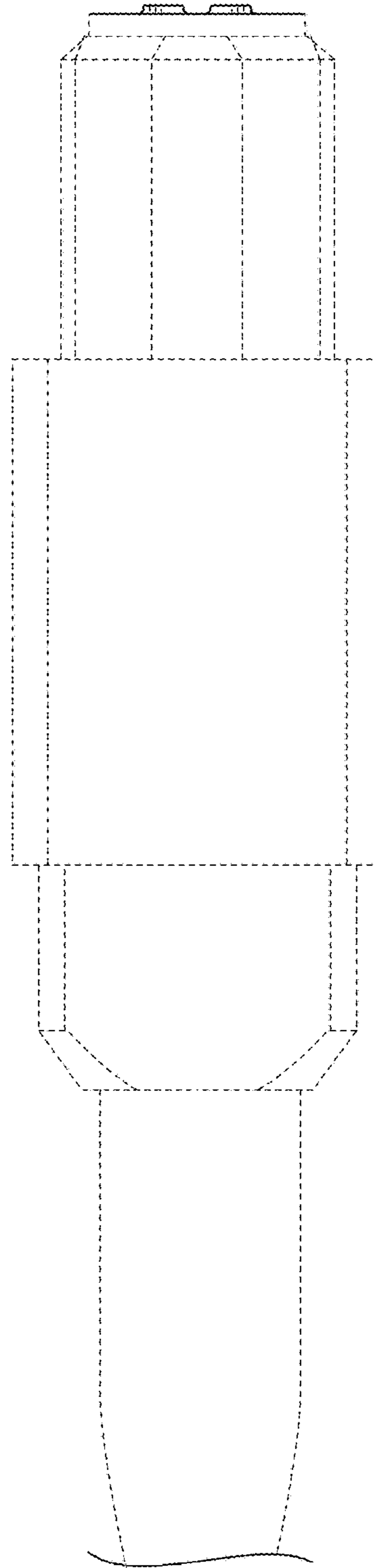


FIG. 14