



US00D810026S

(12) **United States Design Patent**
Gubbins

(10) **Patent No.:** **US D810,026 S**
(45) **Date of Patent:** **** Feb. 13, 2018**

(54) **SOCKET PLATE FOR CABLE DRUM**
(71) Applicant: **Nexus Industries Limited**, Shropshire (GB)
(72) Inventor: **Stephen Gubbins**, Shropshire (GB)
(73) Assignee: **NEXUS INDUSTRIES LIMITED**, Shropshire (GB)
(**) Term: **15 Years**

5,657,841 A * 8/1997 Morvan H02G 11/02
191/12.4
5,700,150 A * 12/1997 Morin H01R 13/72
191/12.4
6,077,109 A * 6/2000 Prazoff H01R 13/72
191/12.4
D428,327 S * 7/2000 Stekelenburg D13/139.7
D432,499 S * 10/2000 Stekelenburg D13/139.6
D464,624 S * 10/2002 Shim D13/137.4
D481,357 S * 10/2003 Stekelenburg D13/139.8
D496,255 S * 9/2004 Kovacic D13/139.7
D572,662 S * 7/2008 Haber D13/139.8

(Continued)

(21) Appl. No.: **29/587,066**
(22) Filed: **Dec. 9, 2016**

Primary Examiner — Selina Sikder
(74) *Attorney, Agent, or Firm* — Levenfeld Pearlstein, LLC

(30) **Foreign Application Priority Data**
Jun. 15, 2016 (EM) 003224047-0004

(57) **CLAIM**
The ornamental design for a socket plate for cable drum, as shown and described.

(51) **LOC (11) Cl.** **13-03**
(52) **U.S. Cl.**
USPC **D13/139.6**

DESCRIPTION

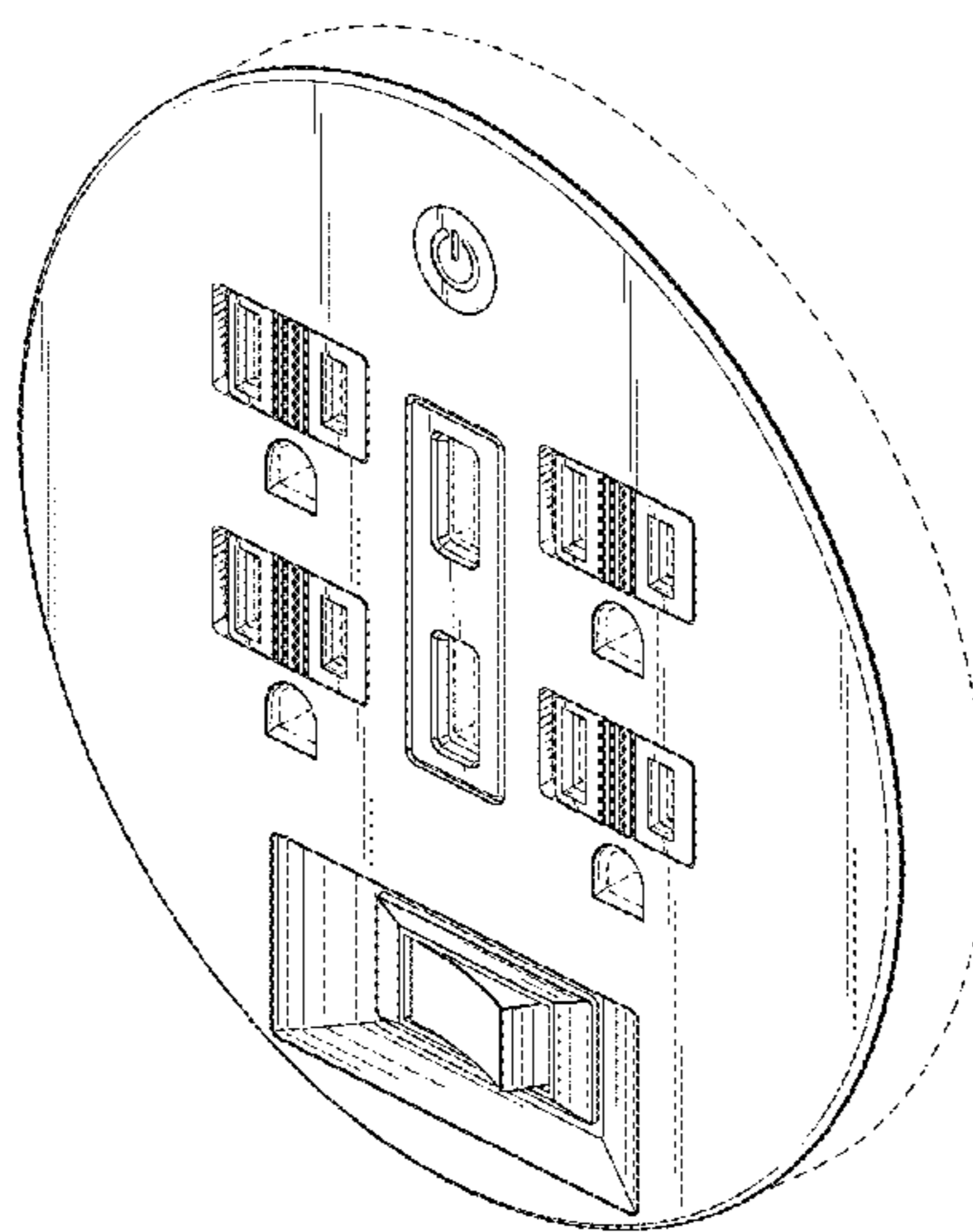
(58) **Field of Classification Search**
USPC D13/137.1, 137.3, 137.4, 139.1, 139.3, D13/139.6, 139.7, 139.8, 156, 158, 169, D13/177; D8/352, 353, 359
CPC H01R 13/052; H01R 13/73; H01R 13/74; H01R 13/743; H01R 24/20; H01R 33/76; H01R 33/7671; H02G 3/08; H02G 3/081; H02G 3/10; H02G 3/14; H02G 3/18; H02G 11/02
See application file for complete search history.

FIG. 1 is a front, right hand side perspective view of a socket plate for cable drum embodying the principles of my new design;
FIG. 2 is a front view thereof;
FIG. 3 is a top view thereof;
FIG. 4 is a bottom view thereof;
FIG. 5 is a rear view thereof, the rear view being unadorned and forming no part of the claimed design;
FIG. 6 is a side view thereof as seen from the left hand side of FIG. 2;
FIG. 7 is a side view thereof as seen from the right hand side of FIG. 2; and,
FIG. 8 is a perspective view similar to FIG. 1 with the socket plate shown in a cable drum.

(56) **References Cited**
U.S. PATENT DOCUMENTS
D260,985 S * 9/1981 Moylan D13/137.4
4,485,282 A * 11/1984 Lee H02G 3/18
174/53
4,520,239 A * 5/1985 Schwartz H02G 11/02
191/12.4
D286,134 S * 10/1986 Schwartz D13/137.4
D359,725 S * 6/1995 King, Sr. D13/156

The socket plate for cable drum being shown with the sides and rear in FIGS. 1 and 3-7 in phantom lines and with a cable drum in phantom lines in FIG. 8, the objects in phantom lines forming no part of the claimed design.

1 Claim, 4 Drawing Sheets



(56)

References Cited

U.S. PATENT DOCUMENTS

D604,244 S * 11/2009 Kovacik D13/137.4
D609,643 S * 2/2010 Oddsen D13/139.1
D658,131 S * 4/2012 Chen D13/156
8,896,150 B1 * 11/2014 Shammoh H01R 13/70
307/31
D746,238 S * 12/2015 Sumwalt D13/156
D793,339 S * 8/2017 Dicks D13/139.1
D796,442 S * 9/2017 Xu D13/139.6
2005/0072645 A1 * 4/2005 Kovacik H02G 11/02
191/12.2 R
2006/0186255 A1 * 8/2006 Rooker B65H 75/40
242/395
2010/0029109 A1 * 2/2010 Lam H01R 13/665
439/136
2011/0151712 A1 * 6/2011 Liao H01R 13/60
439/571
2012/0052716 A1 * 3/2012 Wang H01R 4/2433
439/389
2013/0109219 A1 * 5/2013 Liao H01R 13/743
439/345
2014/0247577 A1 * 9/2014 Moule H02G 3/123
361/837
2015/0214708 A1 * 7/2015 Segnit H02G 3/16
361/42

* cited by examiner

Fig. 1

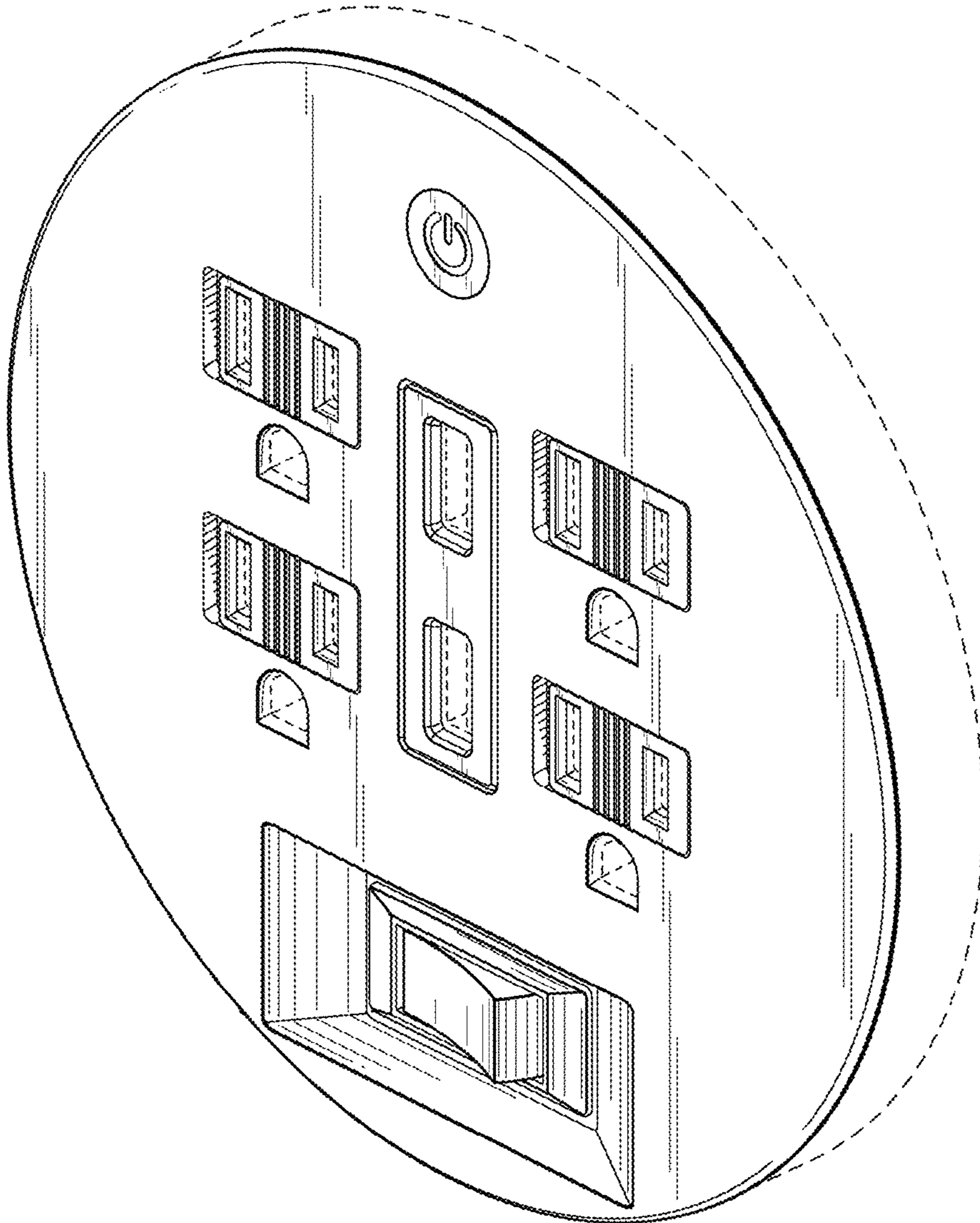


Fig. 3



Fig. 2

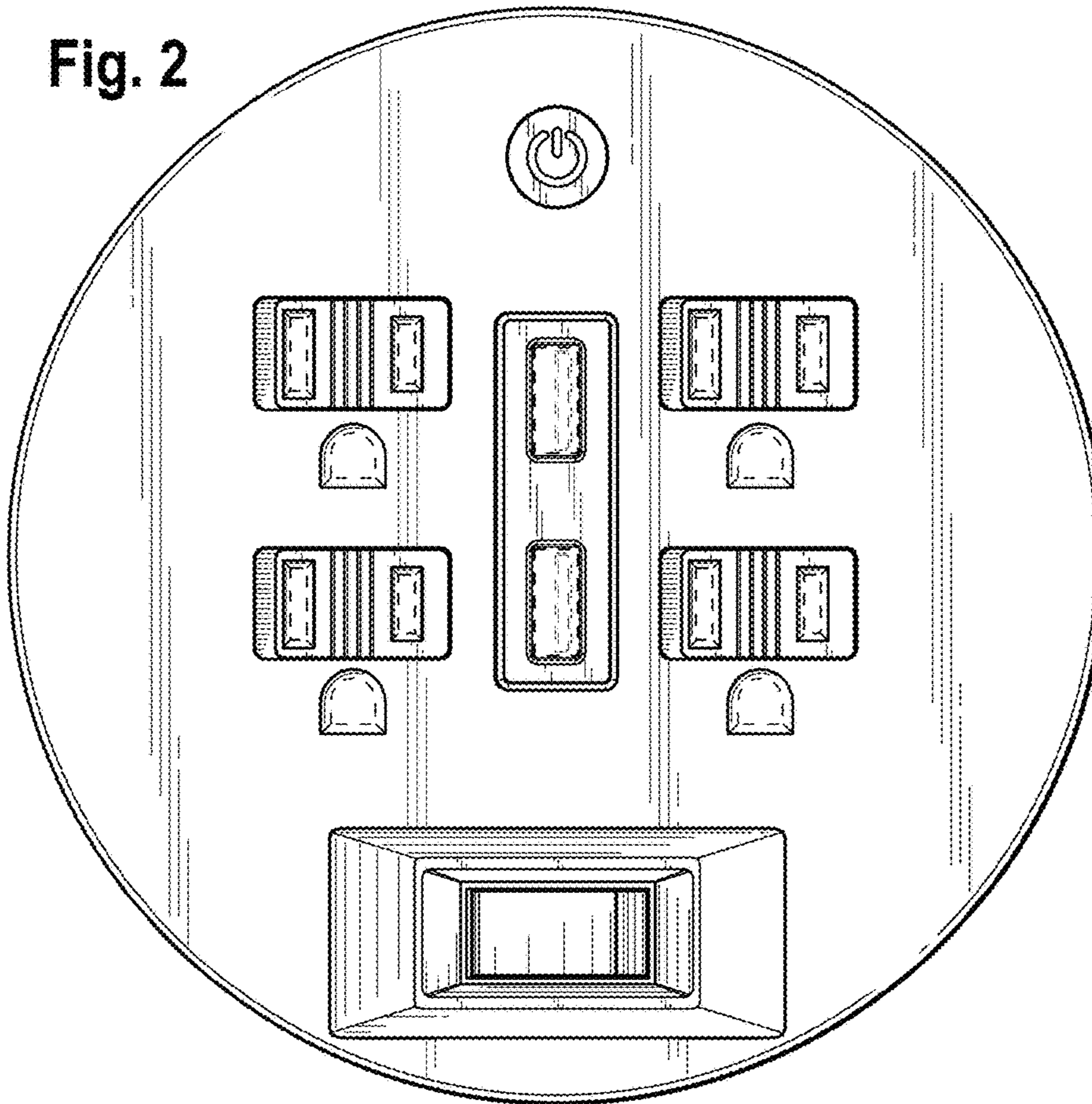


Fig. 4

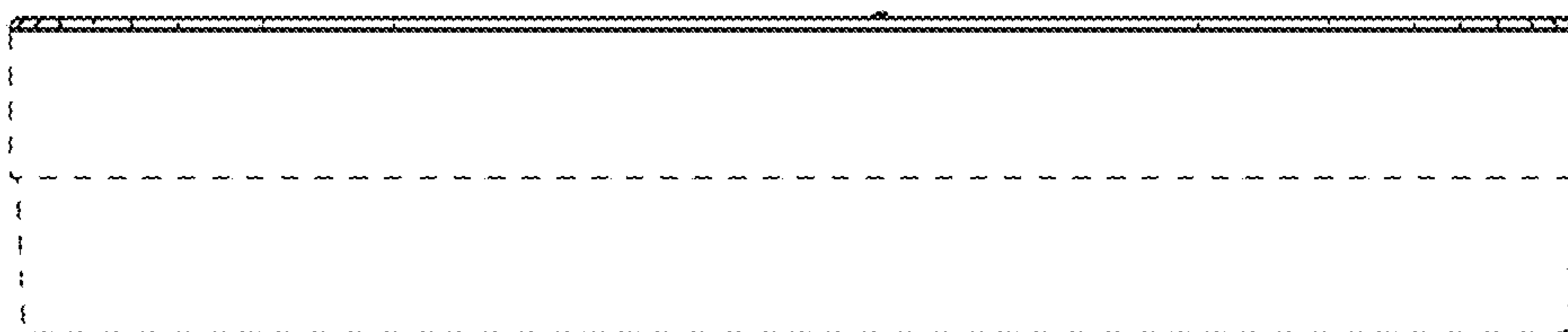


Fig. 5

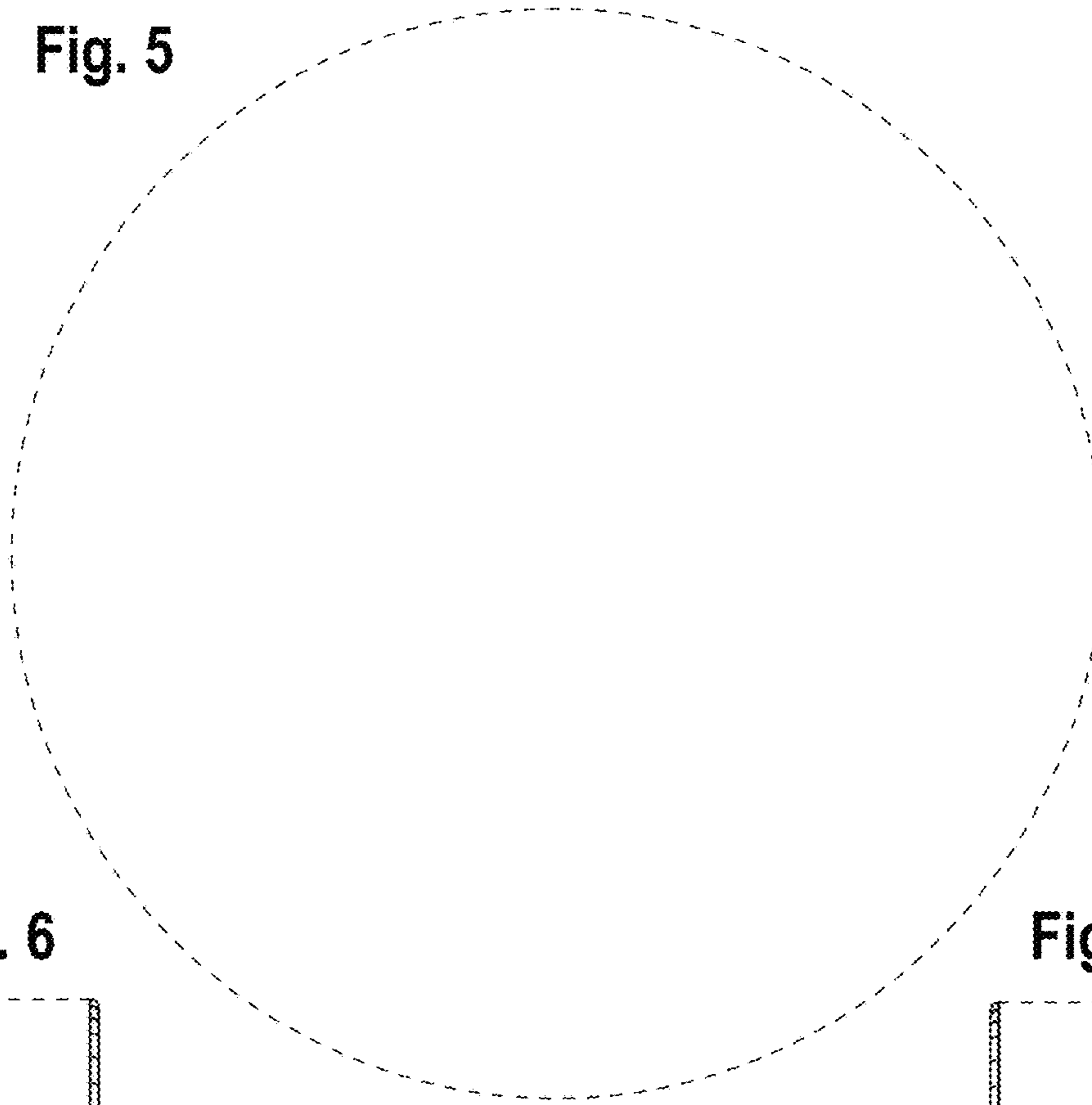


Fig. 6

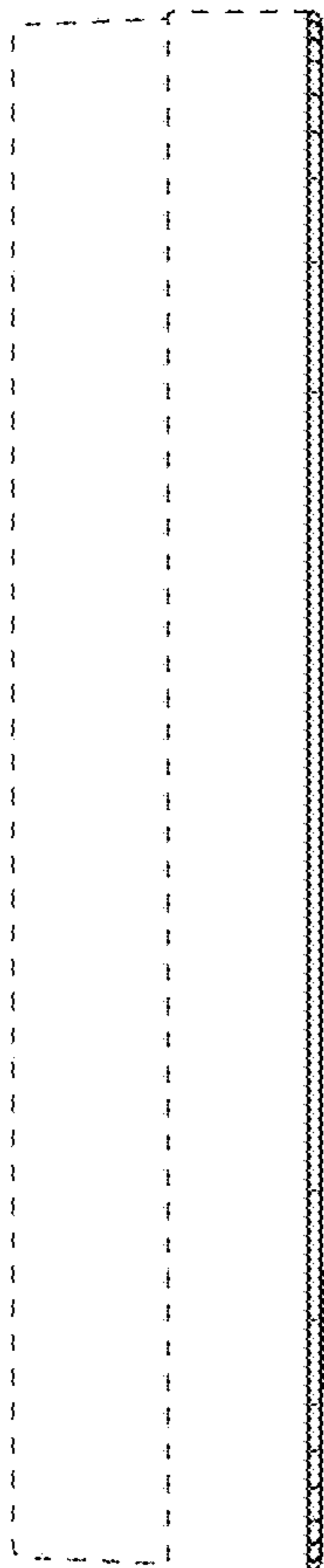


Fig. 7

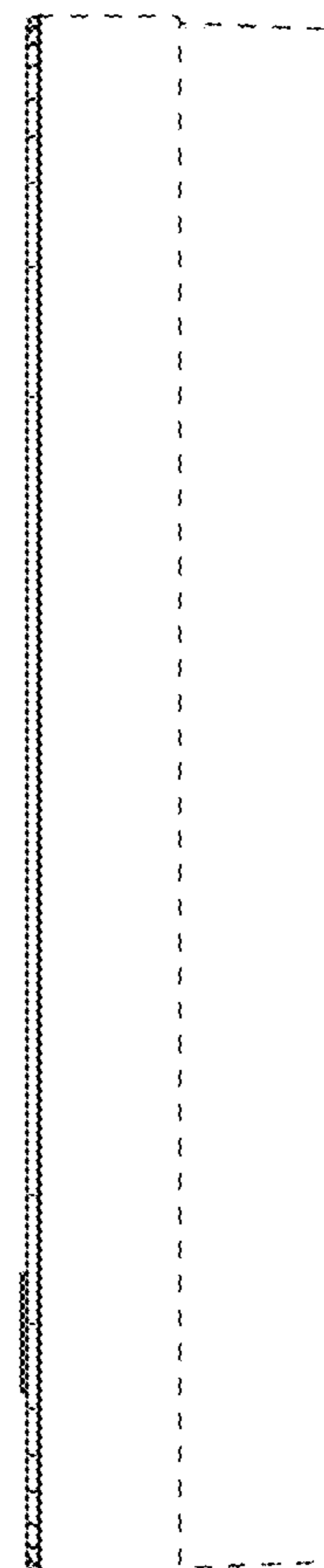


Fig. 8

