



US00D810019S

(12) **United States Design Patent**
Omote et al.

(10) **Patent No.:** **US D810,019 S**
(45) **Date of Patent:** **** Feb. 13, 2018**

(54) **POWER CONVERTER**

- (71) Applicant: **Toshiba Mitsubishi-Electric Industrial Systems Corporation**, Tokyo (JP)
- (72) Inventors: **Kenichiro Omote**, Tokyo (JP); **Kenji Oda**, Tokyo (JP)
- (73) Assignee: **Toshiba Mitsubishi-Electric Industrial Systems Corporation**, Tokyo (JP)

(**) Term: **15 Years**

(21) Appl. No.: **29/583,388**

(22) Filed: **Nov. 4, 2016**

(30) **Foreign Application Priority Data**

May 30, 2016 (JP) 2016-011388

(51) **LOC (11) Cl.** **13-02**

(52) **U.S. Cl.**
USPC **D13/110; D8/359**

(58) **Field of Classification Search**
USPC D8/59, 309, 359; D13/101-110, 116,
D13/118, 123, 133-135, 146-151,
D13/153-156, 159, 161, 173, 184, 199;
D14/356, 432

See application file for complete search history.

(56) **References Cited**

U.S. PATENT DOCUMENTS

- D158,021 S * 4/1950 Stanland D8/59
- D240,792 S * 8/1976 Rauhankatu D8/59
- D298,078 S * 10/1988 Stoker D34/33
- 5,509,327 A * 4/1996 Cropley B66D 1/7468
74/545
- D720,976 S * 1/2015 Greiner D8/41

OTHER PUBLICATIONS

Monroe 30224, posted at Amazon.com, posted on Jul. 2, 2015, online, site visited Oct. 5, 2017. Available from Internet: <https://www.amazon.com/dp/B00FONSVTA>.*

Reese Towpower 74337, posted at Amazon.com, posted on Nov. 7, 2010, online, site visited Oct. 5, 2017. Available from Internet: <https://www.amazon.com/Reese-Towpower-74337-Pound-Capacity/product-reviews/B000WZ4KBS>.*

* cited by examiner

Primary Examiner — Mary Ann Calabrese

Assistant Examiner — Catherine Ho

(74) *Attorney, Agent, or Firm* — Banner & Witcoff, Ltd.

(57) **CLAIM**

The ornamental design for a power converter, as shown and described.

DESCRIPTION

FIG. 1 is a perspective view of a power converter showing our new design,
 FIG. 2 is a front elevational view thereof,
 FIG. 3 is a rear elevational view thereof,
 FIG. 4 is a top plan view thereof,
 FIG. 5 is a bottom plan view thereof,
 FIG. 6 is a left side elevational view thereof,
 FIG. 7 is a right side elevational view thereof; and,
 FIG. 8 is an enlarged cross-sectional view taken on line 8-8 portion of FIG. 2 in which the internal structure is omitted thereof.

The broken lines in the figures show portions of the power converter which form no part of the claimed design.

1 Claim, 7 Drawing Sheets

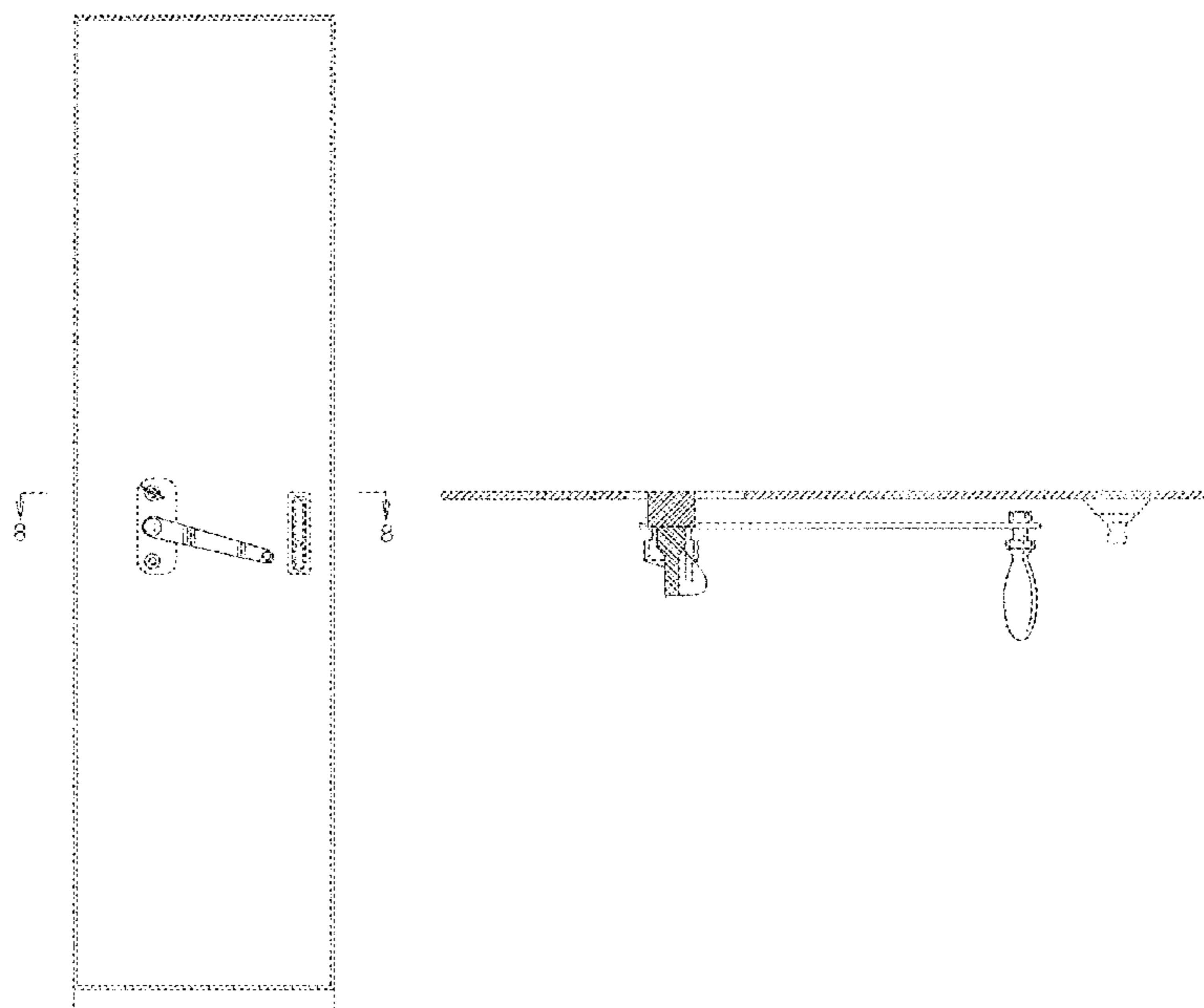


Fig. 1

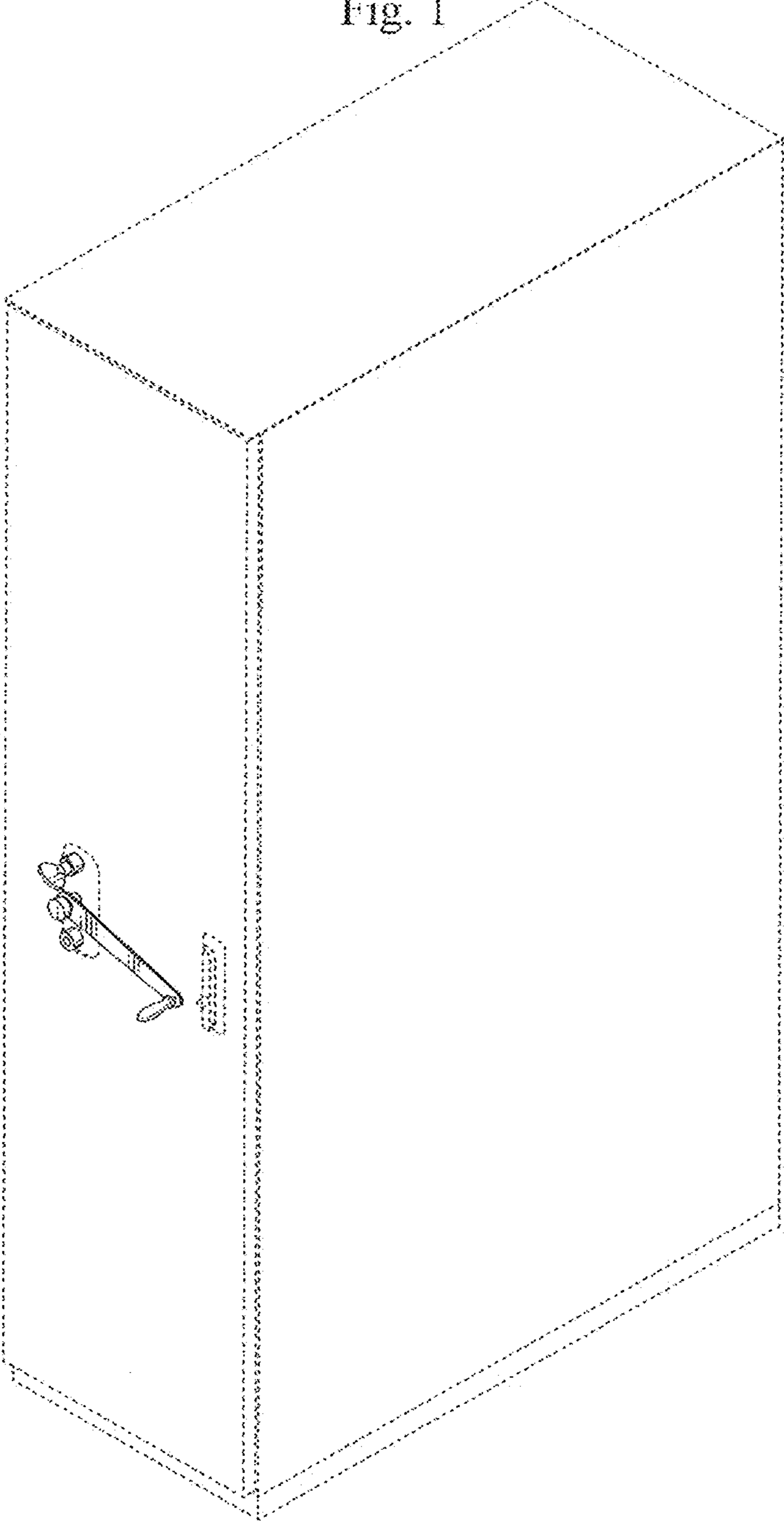


Fig. 2

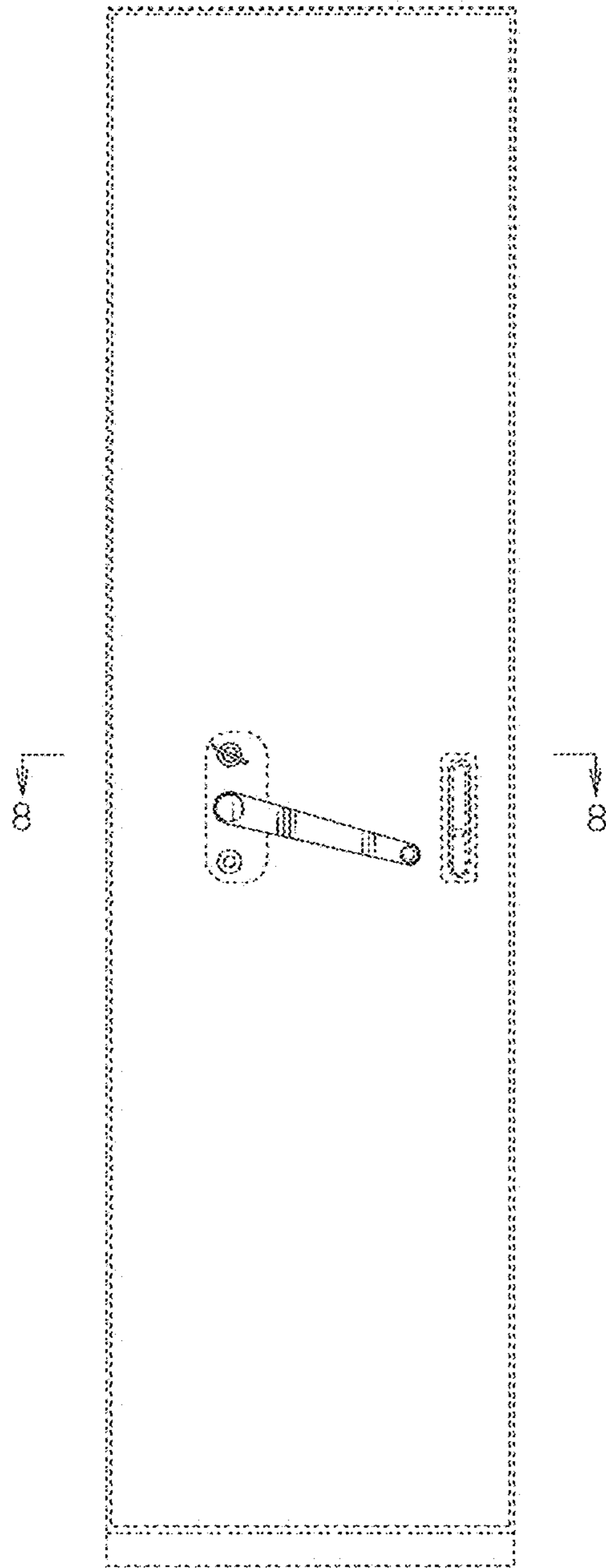


Fig. 3

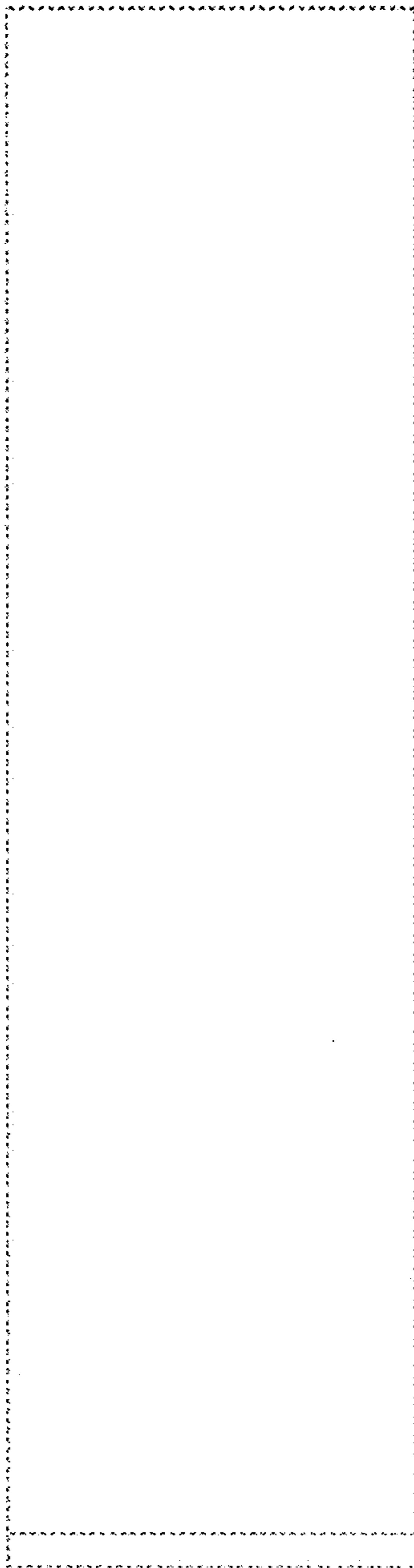


Fig. 4

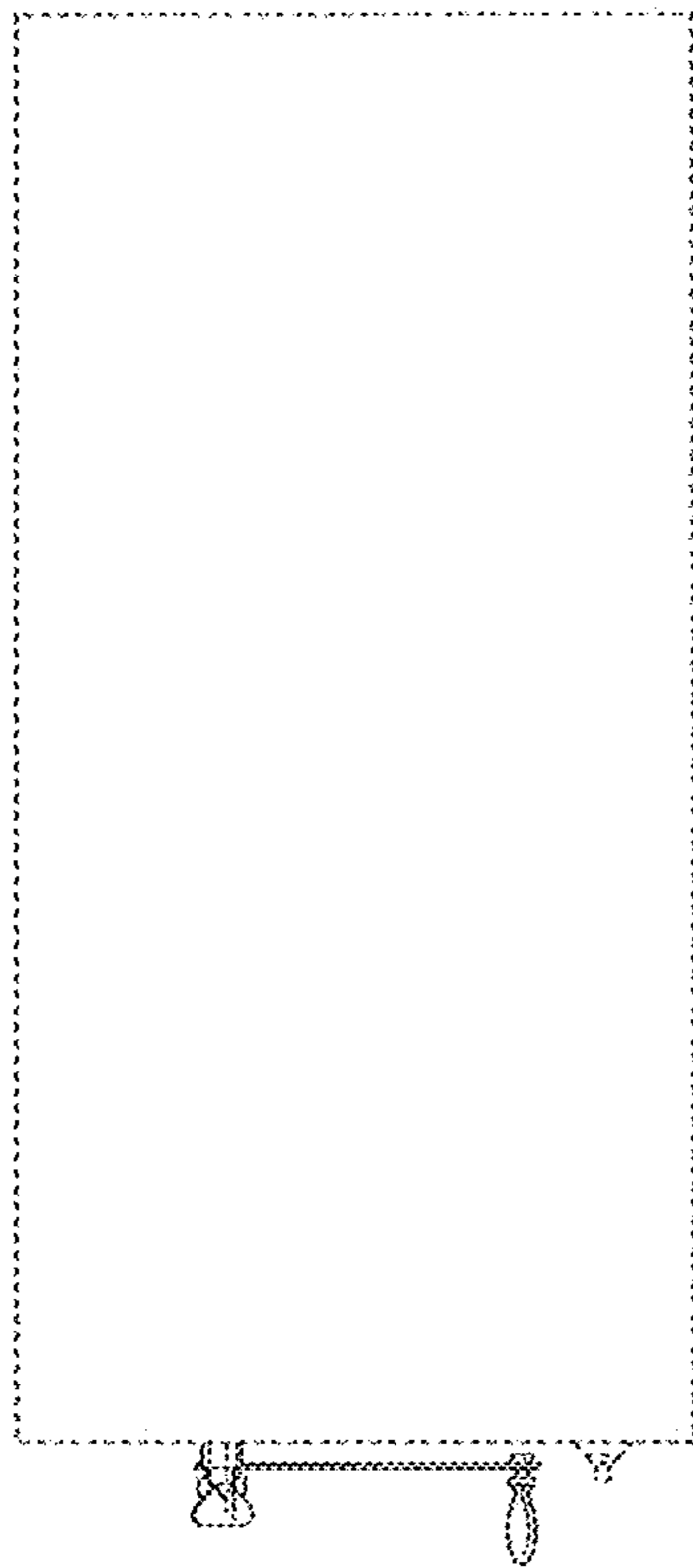


Fig. 5

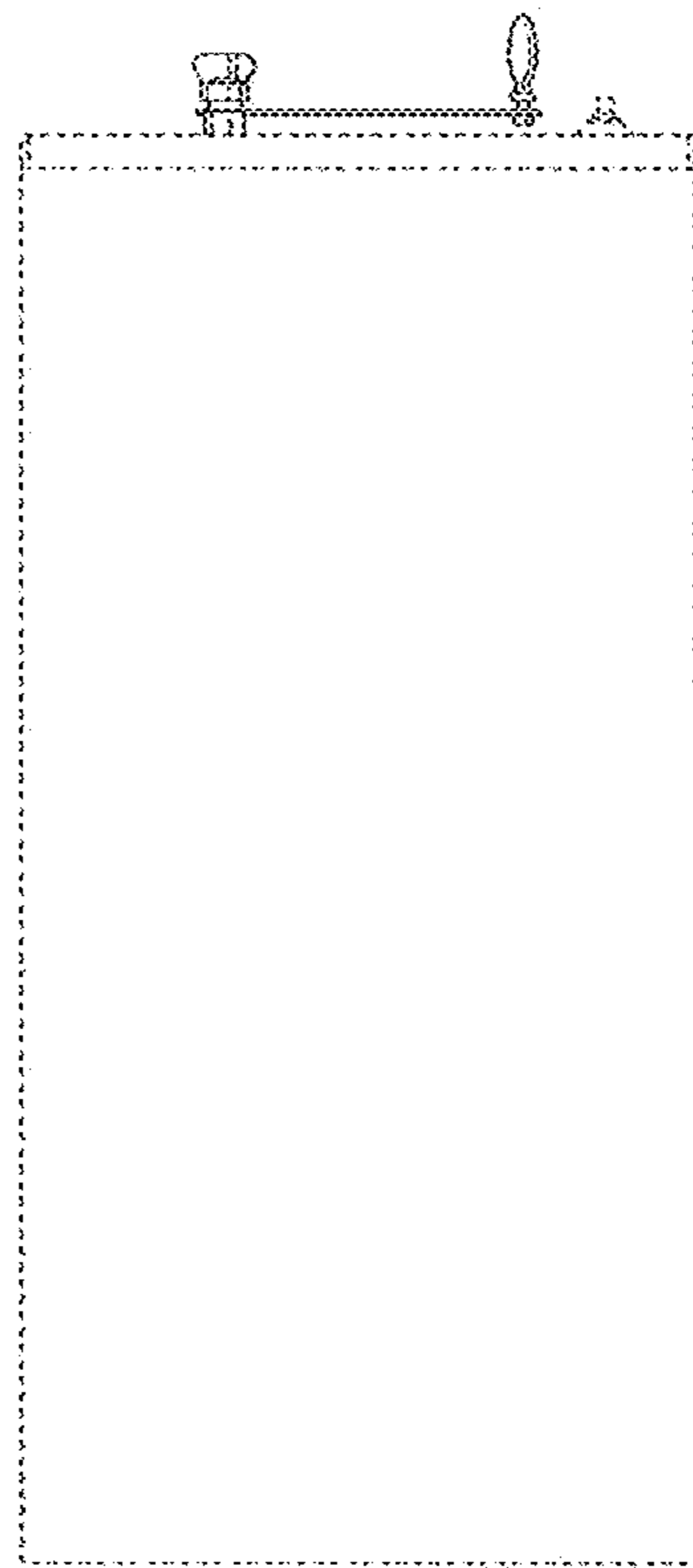


Fig. 6

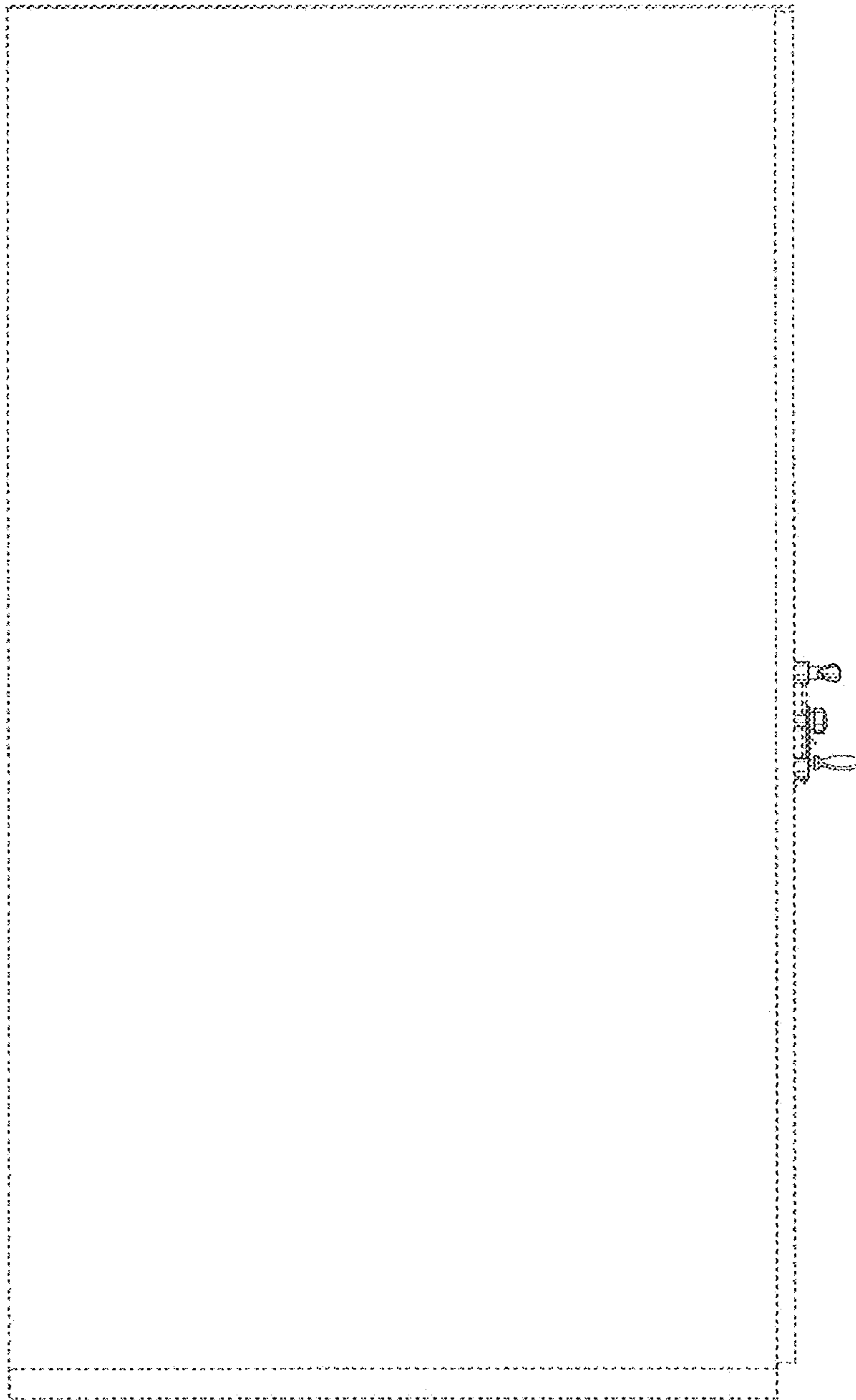


Fig. 7

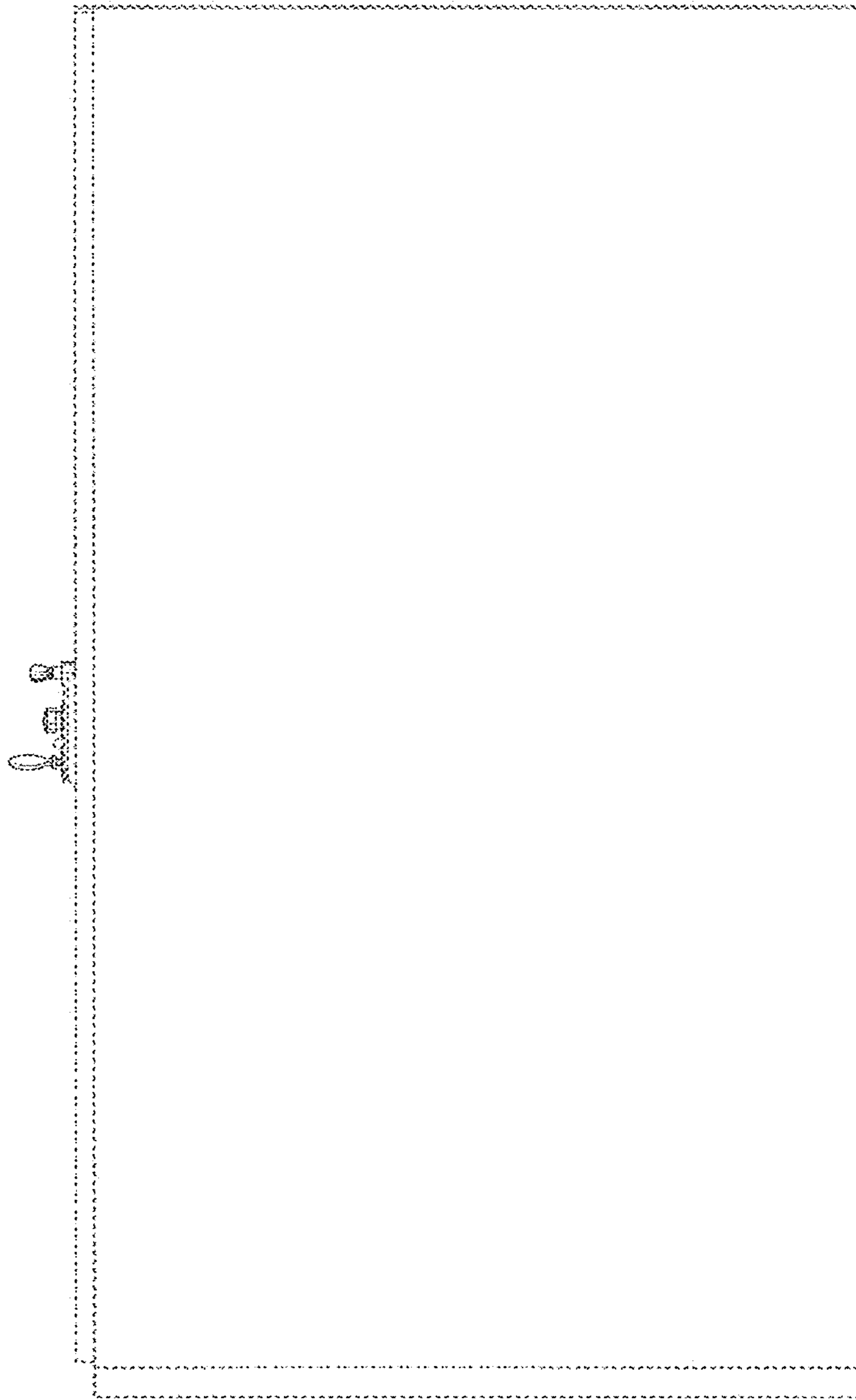


Fig. 8

