



US00D810015S

(12) **United States Design Patent**
Carreon et al.

(10) **Patent No.:** **US D810,015 S**

(45) **Date of Patent:** **** Feb. 13, 2018**

(54) **CHARGING STATION**

(71) Applicant: **Axonics Modulation Technologies, Inc.**, Irvine, CA (US)

(72) Inventors: **Ronaldo Fernandez Carreon**, Irvine, CA (US); **Dennis Lynn Schroeder**, Irvine, CA (US)

(73) Assignee: **AXONICS MODULATION TECHNOLOGIES, INC.**, Irvine, CA (US)

(**) Term: **15 Years**

(21) Appl. No.: **29/554,678**

(22) Filed: **Feb. 12, 2016**

(51) **LOC (11) Cl.** **13-02**

(52) **U.S. Cl.**
USPC **D13/108**

(58) **Field of Classification Search**
USPC D13/107-110, 118-119, 184; D14/251, D14/253, 432, 434
CPC Y02E 60/12; Y02T 90/14; Y02T 90/122; Y02T 90/128; Y02T 90/163; H02J 7/025; H02J 7/0042; H02J 7/0044; H02J 7/0045; H02J 7/0003; H01F 38/14; H01R 13/6675; H01M 2/1022; H01M 2/1055; H01M 10/44; H01M 10/46; H01M 10/425; B60L 11/182
See application file for complete search history.

(56) **References Cited**

U.S. PATENT DOCUMENTS

D526,973 S *	8/2006	Gates	D13/168
D625,262 S *	10/2010	Lee	D13/118
D654,431 S *	2/2012	Stephanchick	D13/108
D701,831 S *	4/2014	Park	D13/108
D706,212 S *	6/2014	Zwierstra	D13/107
D718,234 S *	11/2014	Rautiainen	D13/108

D718,236 S *	11/2014	Murray	D13/108
D749,504 S *	2/2016	Jeong	D13/108
D757,014 S *	5/2016	Hahn	D13/108
D766,228 S *	9/2016	Haymond	D14/252
D772,813 S *	11/2016	Wahl	D13/108
D774,455 S *	12/2016	Kim	D13/108
D777,103 S *	1/2017	Park	D13/108
D780,136 S *	2/2017	Chudoba	D13/184
D782,973 S *	4/2017	Zhou	D13/108
D784,259 S *	4/2017	Huang	D13/108
D786,791 S *	5/2017	Jeong	D13/108
D794,556 S *	8/2017	Liao	D13/107
D794,557 S *	8/2017	Kim	D13/108
D795,182 S *	8/2017	Akana	D13/108
D795,183 S *	8/2017	Akana	D13/108
D797,042 S *	9/2017	Miller	D13/107
2009/0102419 A1 *	4/2009	Gwon	H02J 7/025 320/108

(Continued)

Primary Examiner — Rosemary K Tarcza

(74) *Attorney, Agent, or Firm* — Kilpatrick Townsend & Stockton LLP

(57) **CLAIM**

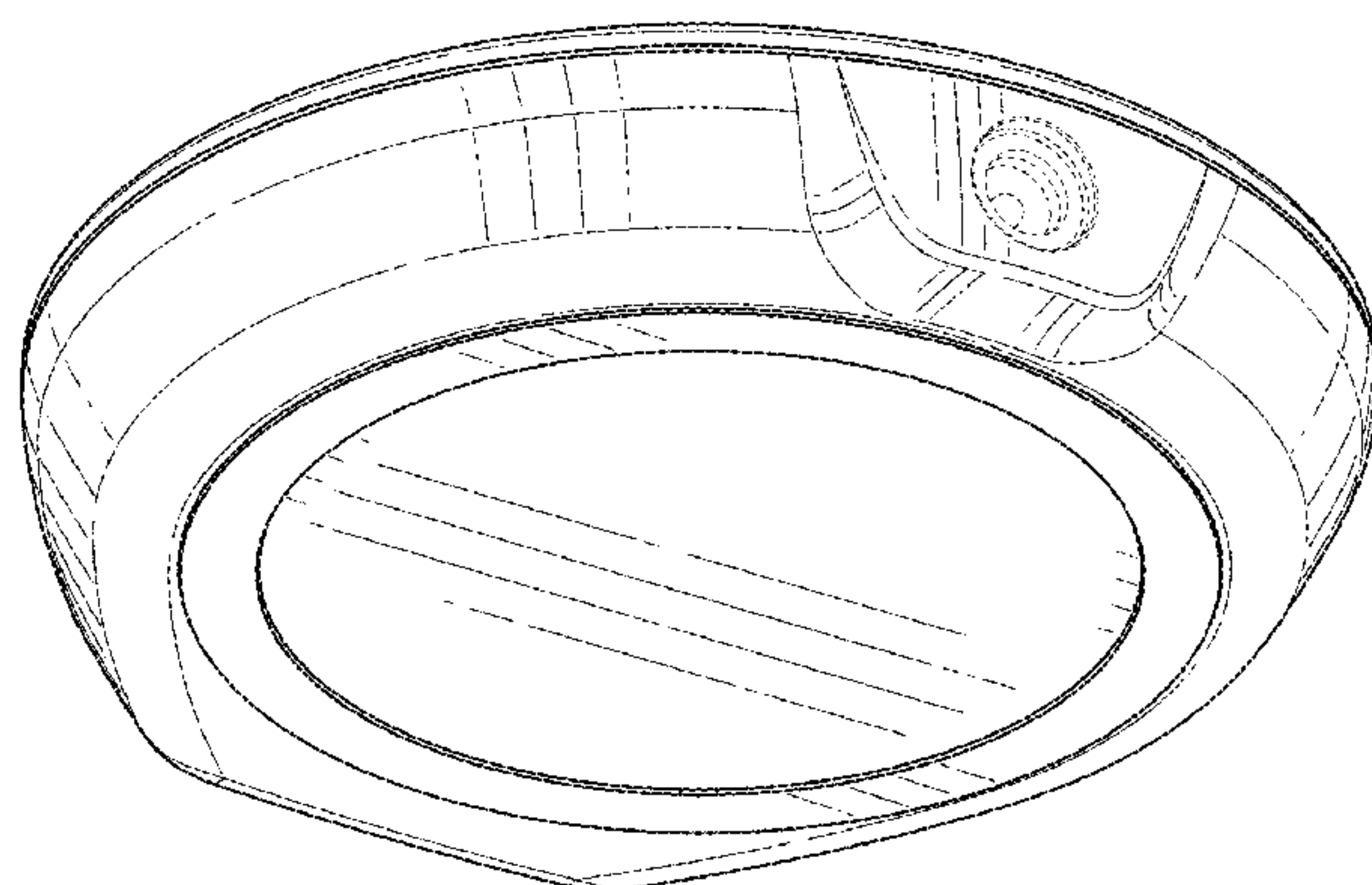
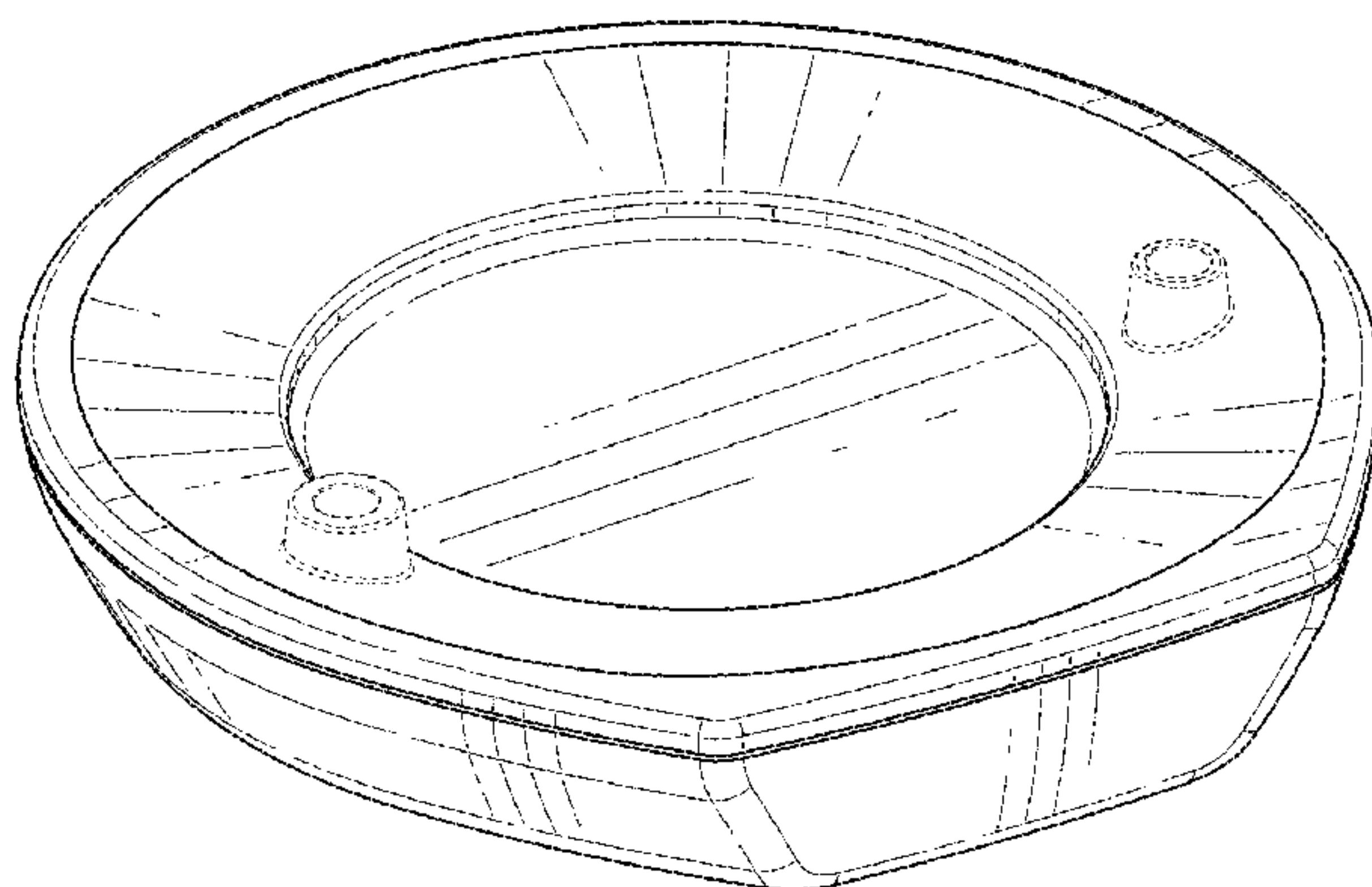
The ornamental design for a charging station, as shown and described.

DESCRIPTION

FIG. 1 is a top perspective view of the charging station showing our new design; FIG. 2 is a bottom perspective view thereof; FIG. 3 is a front side elevational view thereof; FIG. 4 is a rear side elevational view thereof; FIG. 5 is a left side elevational view thereof; FIG. 6 is a right side elevational view thereof; FIG. 7 is a top view thereof; and, FIG. 8 is a bottom view thereof.

The broken lines shown in the drawings are included for the purpose of illustrating unclaimed portions of the charging station, and form no part of the claimed design.

1 Claim, 8 Drawing Sheets



(56)

References Cited

U.S. PATENT DOCUMENTS

2015/0359127 A1* 12/2015 Daoura G06Q 10/00
320/101
2016/0344241 A1* 11/2016 Hong H02J 7/025
2017/0093198 A1* 3/2017 Graham H02J 7/025

* cited by examiner

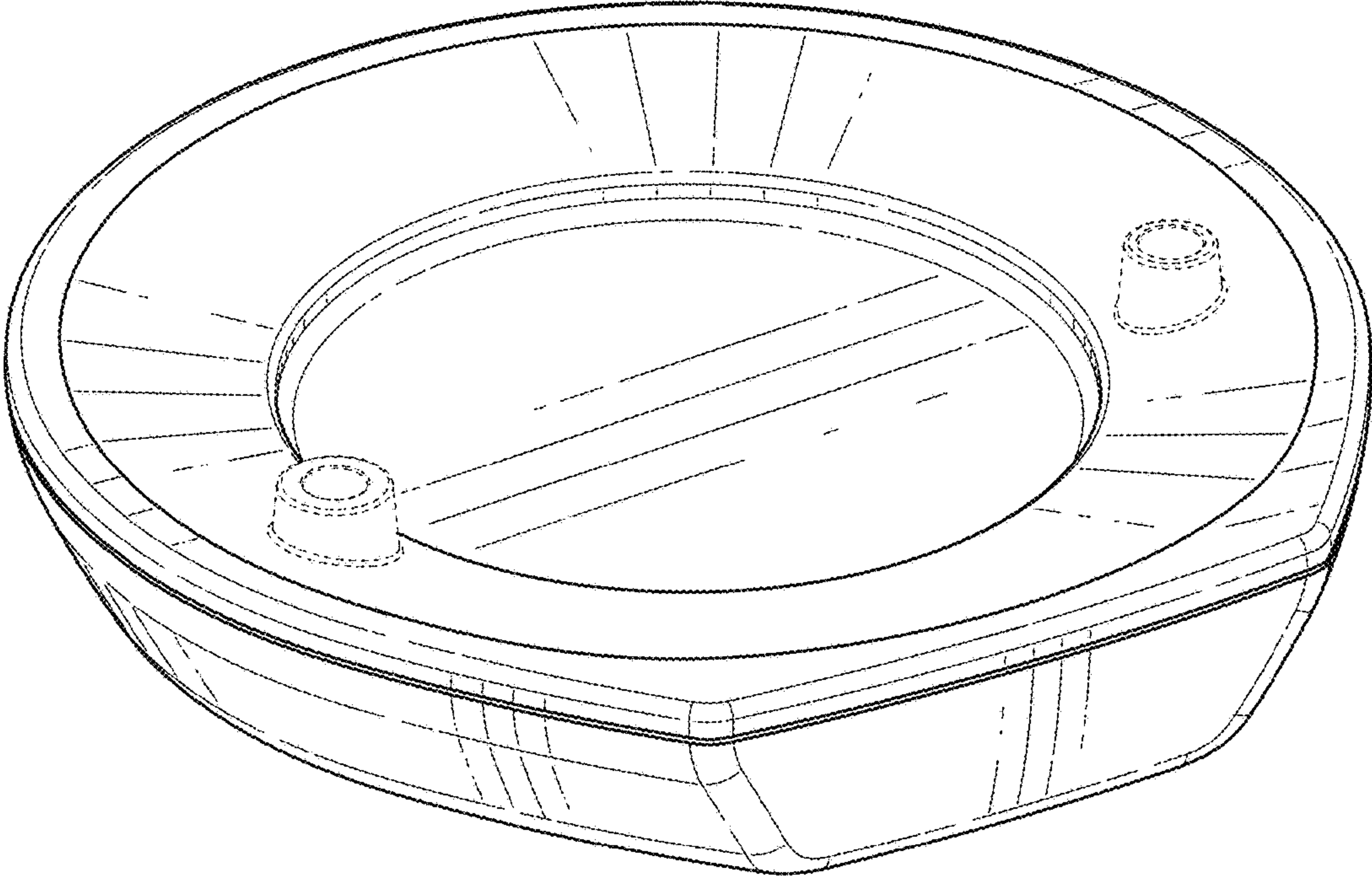


FIG. 1

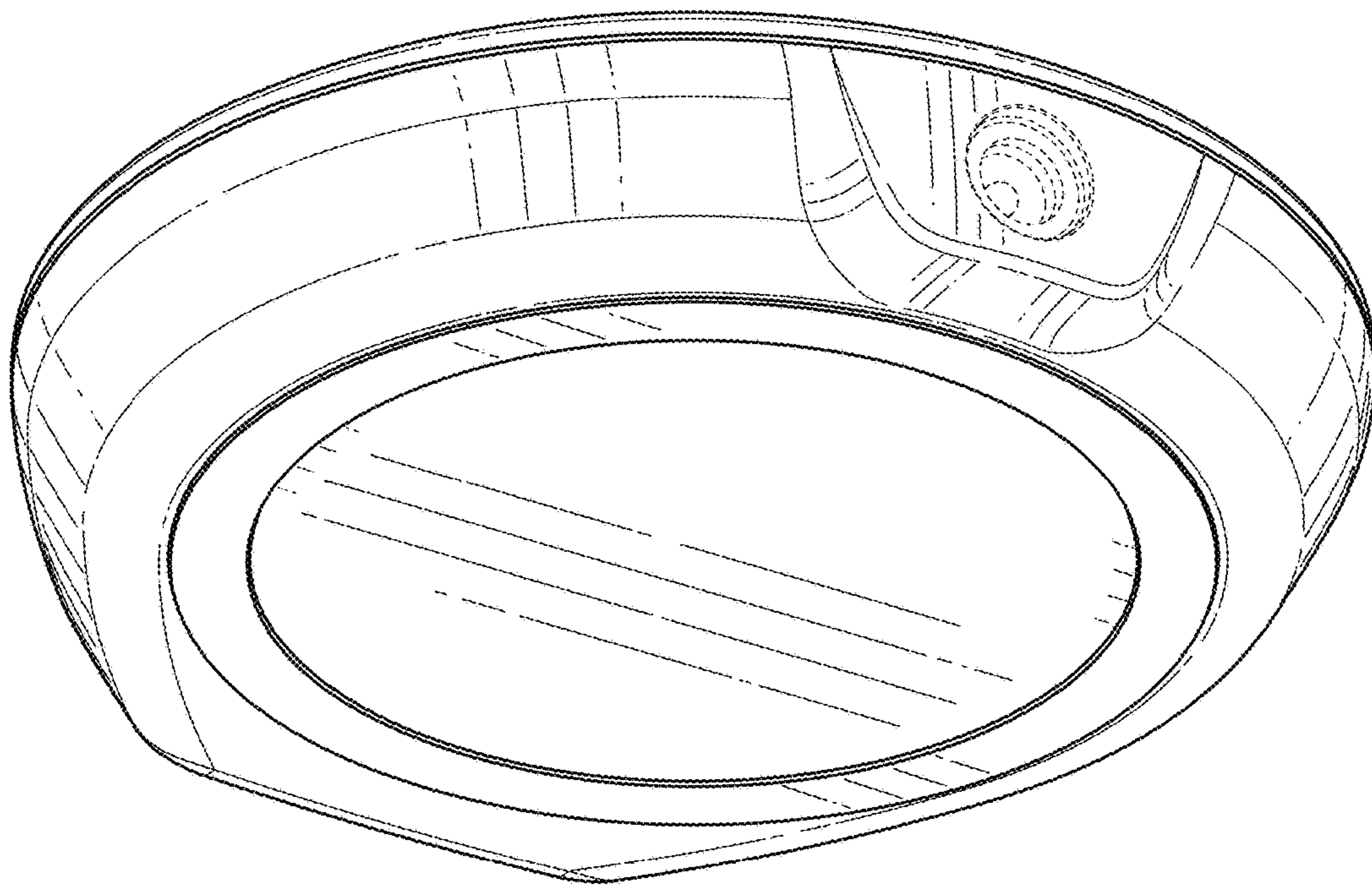


FIG. 2

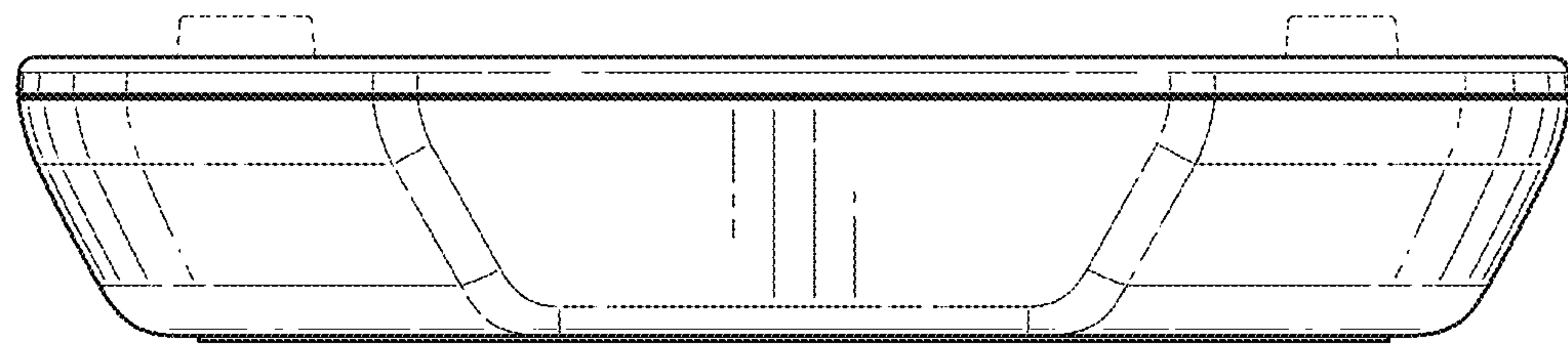


FIG. 3

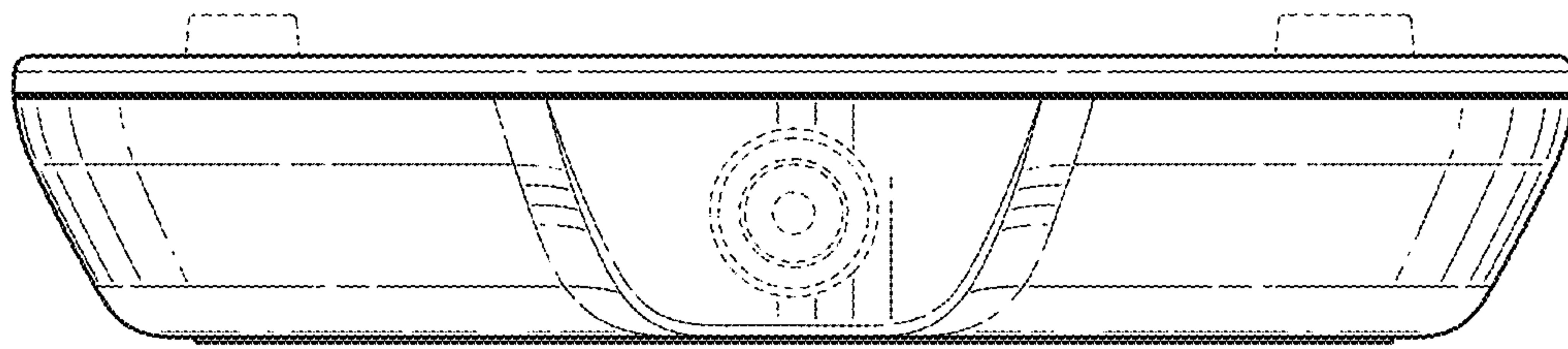


FIG. 4

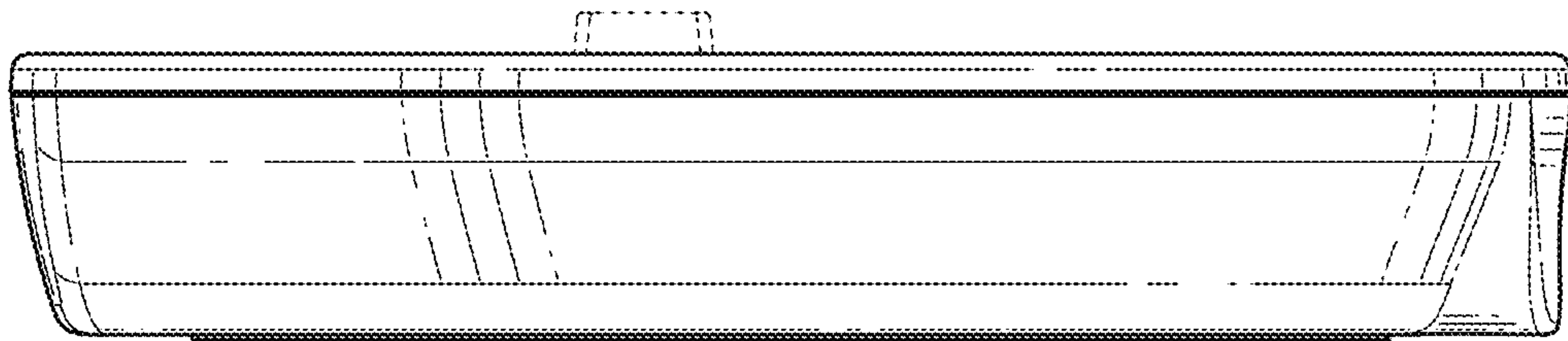


FIG. 5

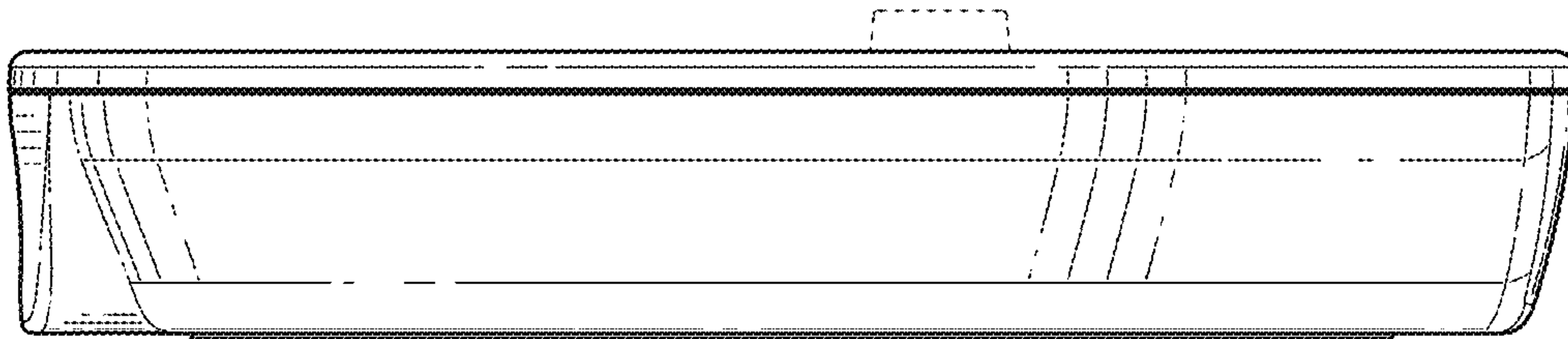


FIG. 6

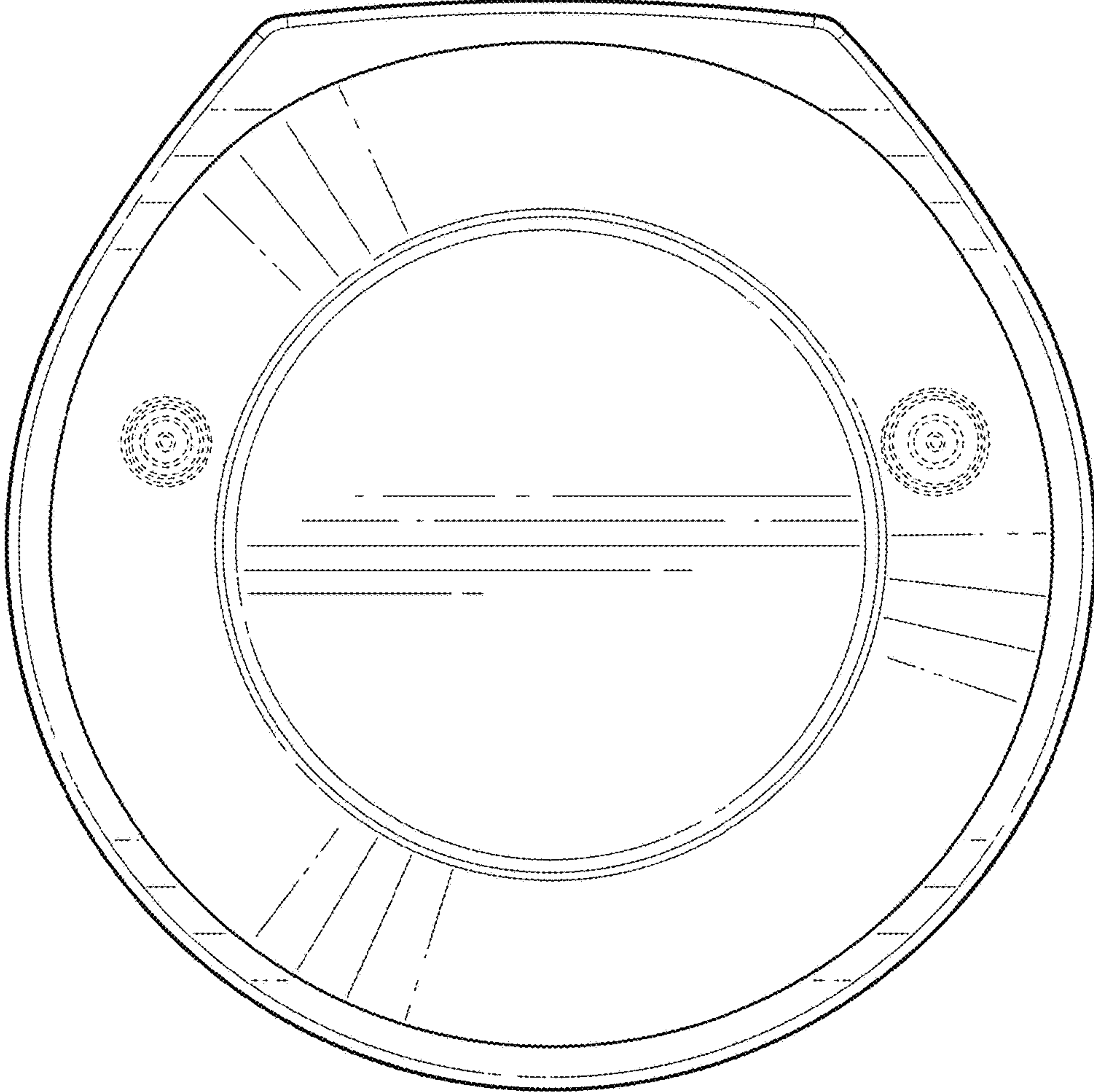


FIG. 7

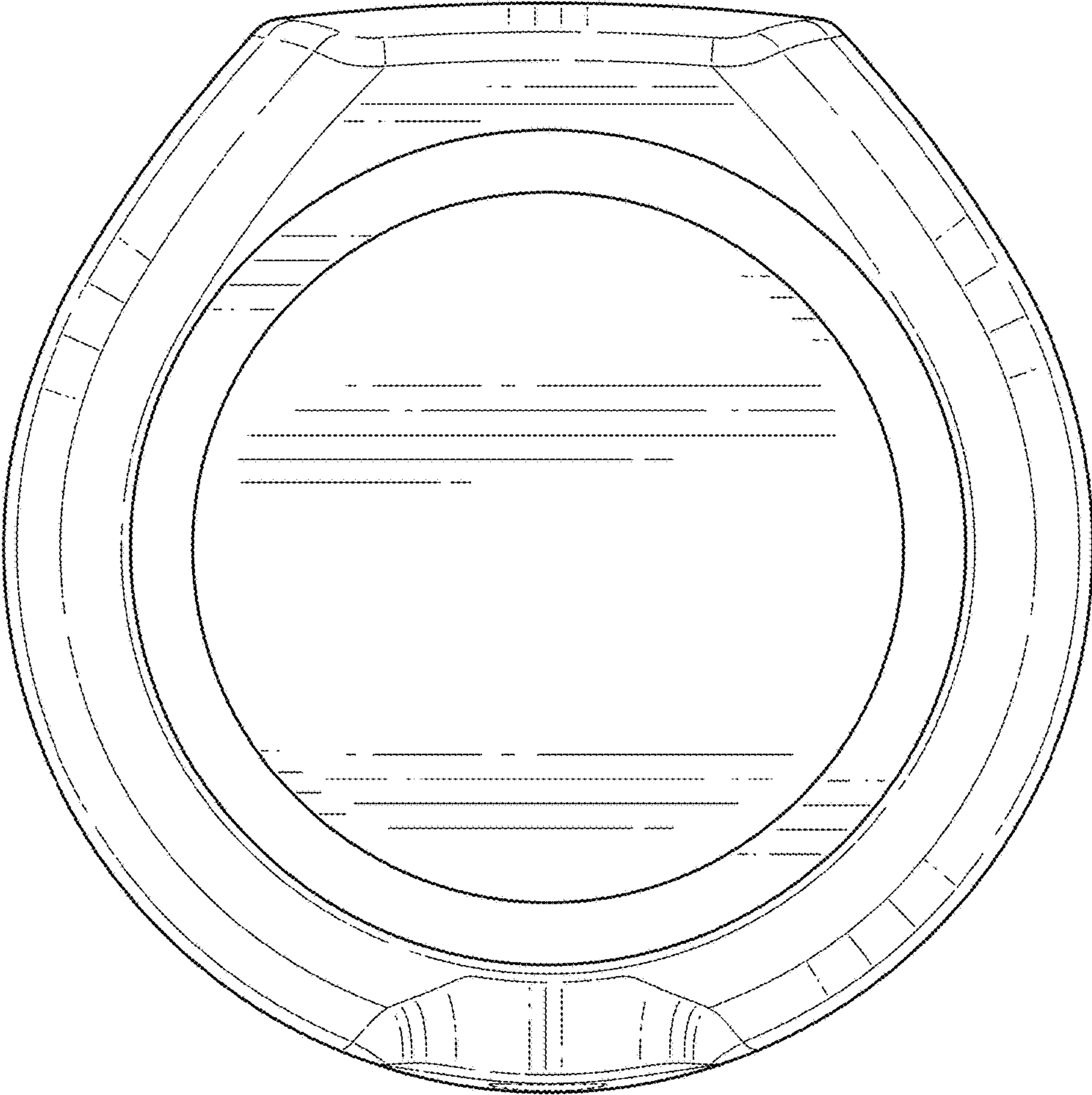


FIG. 8