



US00D810014S

(12) **United States Design Patent** (10) **Patent No.:** **US D810,014 S**  
**Haranaka et al.** (45) **Date of Patent:** **\*\* Feb. 13, 2018**

(54) **CHARGING STAND FOR A ROBOT**

FOREIGN PATENT DOCUMENTS

(71) Applicants: **Sharp Kabushiki Kaisha**, Osaka-shi, Osaka (JP); **Kabushiki Kaisha Robo Garage**, Otsu, Shiga (JP)

JP D956270 6/1996  
JP D1109764 5/2001

(Continued)

(72) Inventors: **Akira Haranaka**, Osaka (JP); **Tomotaka Takahashi**, Otsu (JP)

OTHER PUBLICATIONS

(73) Assignees: **SHARP KABUSHIKI KAISHA**, Osaka (JP); **KABUSHIKI KAISHA ROBO GARAGE**, Otsu, Shiga (JP)

Office Action dated Jan. 23, 2017 in U.S. Appl. No. 29/554,520. English translations of Bibliographic data of (JP 000956270, JP 001109764, JP 001343180, JP 001353517 and KR 3020070038597).

(\*\*) Term: **15 Years**

*Primary Examiner* — Rosemary K Tarcza

(21) Appl. No.: **29/554,521**

(74) *Attorney, Agent, or Firm* — Nixon & Vanderhye P.C.

(22) Filed: **Feb. 12, 2016**

(57) **CLAIM**

(30) **Foreign Application Priority Data**

The ornamental design for a charging stand for a robot, as shown and described.

Sep. 17, 2015 (JP) ..... 2015-020673

(51) **LOC (11) Cl.** ..... **13-02**

(52) **U.S. Cl.**  
USPC ..... **D13/108**

(58) **Field of Classification Search**

USPC ..... D13/107–110, 118–119, 184; D14/251, D14/253, 432, 434  
CPC ..... Y02E 60/12; Y02T 90/14; Y02T 90/122; Y02T 90/128; Y02T 90/163; H02J 7/025; H02J 7/0042; H02J 7/0044; H02J 7/0045; H02J 7/0003; H01F 38/14; H01R 13/6675; H01M 2/1022; H01M 2/1055; H01M 10/44; H01M 10/46; H01M 10/425; B60L 11/182

See application file for complete search history.

**DESCRIPTION**

FIG. 1 is a front, right perspective view of a charging stand for a robot in accordance with our new design; FIG. 2 is a front elevation view thereof; FIG. 3 is a rear elevation view thereof; FIG. 4 is top plan view thereof; FIG. 5 is a bottom plan view thereof; FIG. 6 is a right-side elevation view thereof; FIG. 7 is a left-side elevation view thereof; FIG. 8 is a left, rear perspective view thereof; FIG. 9 is a bottom, left perspective view thereof; FIG. 10 is a front, right perspective view thereof, showing a robot in broken lines; and, FIG. 11 is a rear, right perspective view thereof, showing a robot in broken lines.

The broken lines shown in the drawings are for the purpose of illustrating unclaimed portions of the charging stand for a robot, or environmental structure, and form no part of the claimed design.

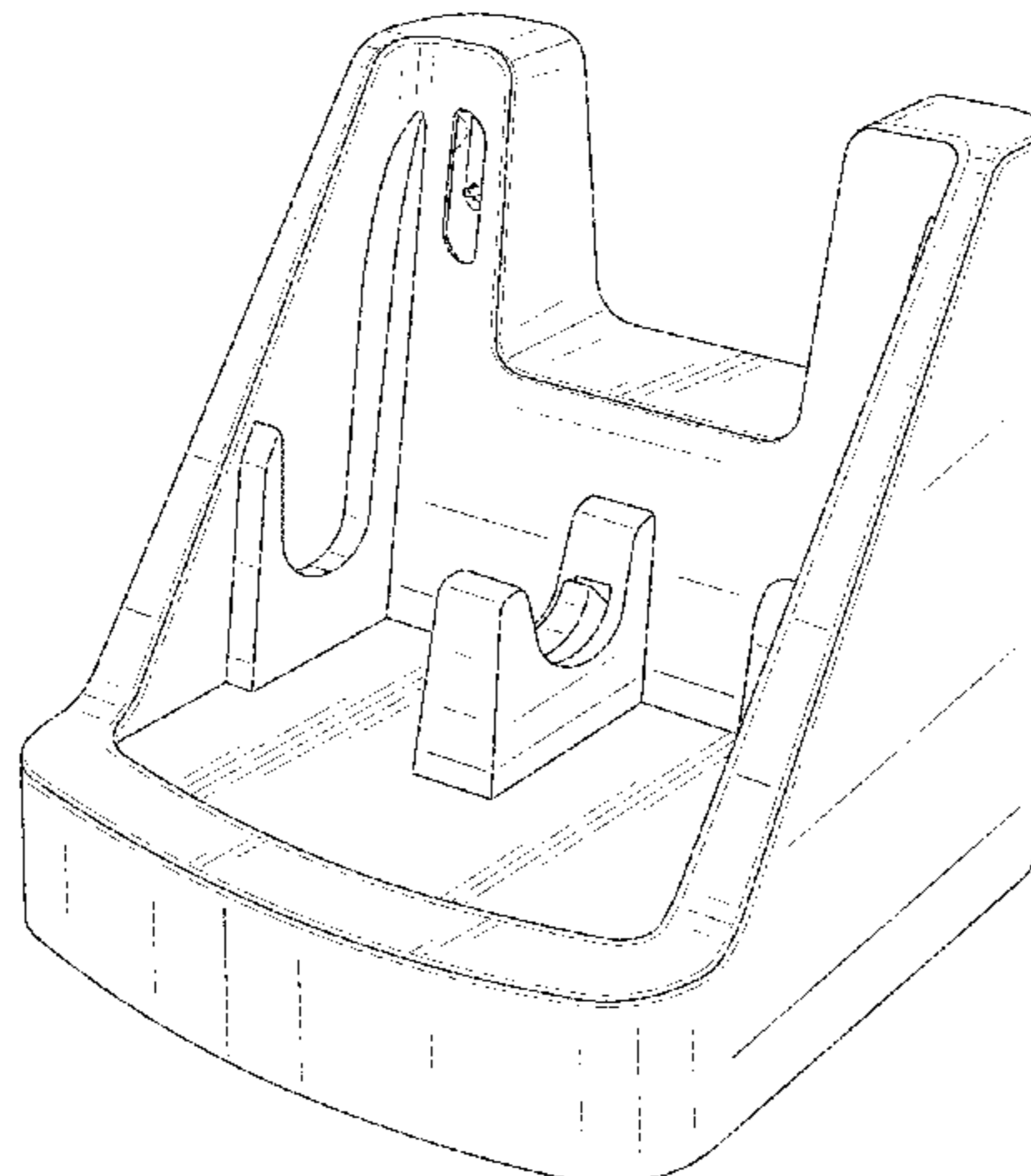
(56) **References Cited**

U.S. PATENT DOCUMENTS

D277,662 S \* 2/1985 Huntington ..... D13/107  
D307,016 S \* 4/1990 Watanabe ..... D13/108  
D371,174 S 6/1996 Tsai  
D453,199 S 1/2002 Sawai

(Continued)

**1 Claim, 11 Drawing Sheets**



(56)

References Cited

U.S. PATENT DOCUMENTS

D453,361 S 2/2002 Tsai  
 D458,266 S \* 6/2002 Herath ..... D14/434  
 D460,131 S 7/2002 Koshiishi  
 D460,503 S 7/2002 Koshiishi  
 D465,532 S \* 11/2002 Hussaini ..... D14/432  
 D489,325 S \* 5/2004 Nakamura ..... D13/110  
 D534,971 S 1/2007 Chung  
 D535,615 S \* 1/2007 Iwai ..... D13/108  
 D536,010 S 1/2007 Takahashi  
 D541,353 S 4/2007 Takahashi  
 D547,319 S \* 7/2007 Chang ..... D13/108  
 D550,735 S 9/2007 Takahashi  
 D553,106 S \* 10/2007 Griffin ..... D14/217  
 D574,404 S 8/2008 Maisonnier  
 D605,588 S \* 12/2009 Nomi ..... D13/108  
 D613,684 S \* 4/2010 Nishizawa ..... D13/108  
 D677,743 S 3/2013 Koshiishi  
 D696,324 S 12/2013 Takahashi  
 D697,474 S \* 1/2014 Manneschi ..... D13/108  
 D702,665 S \* 4/2014 Kim ..... D14/217  
 D711,885 S \* 8/2014 Ohshima ..... D14/434  
 D712,983 S 9/2014 Gan  
 D715,380 S 10/2014 Ito

8,892,257 B2 11/2014 Roh  
 D719,620 S 12/2014 Clerc  
 D742,885 S \* 11/2015 Chen ..... D14/434  
 9,327,400 B2 5/2016 Serre  
 9,334,002 B2 5/2016 Seo  
 9,346,175 B2 5/2016 Krumbacher  
 D774,148 S 12/2016 Hong  
 D780,187 S \* 2/2017 Lee ..... D14/253  
 D782,975 S \* 4/2017 Chen ..... D13/108  
 D797,669 S \* 9/2017 Chang ..... D13/108  
 2009/0149992 A1 6/2009 Ohno  
 2009/0321150 A1 12/2009 Kwon  
 2010/0181965 A1 \* 7/2010 Matsuoka ..... H02J 7/0027  
 320/115  
 2014/0097789 A1 \* 4/2014 Takamoto ..... H02J 7/0044  
 320/107  
 2014/0191707 A1 \* 7/2014 Carreon ..... H04M 1/04  
 320/107

FOREIGN PATENT DOCUMENTS

JP D1353517 3/2009  
 JP D1343180 10/2011  
 KR 30-0487985000 4/2008

\* cited by examiner

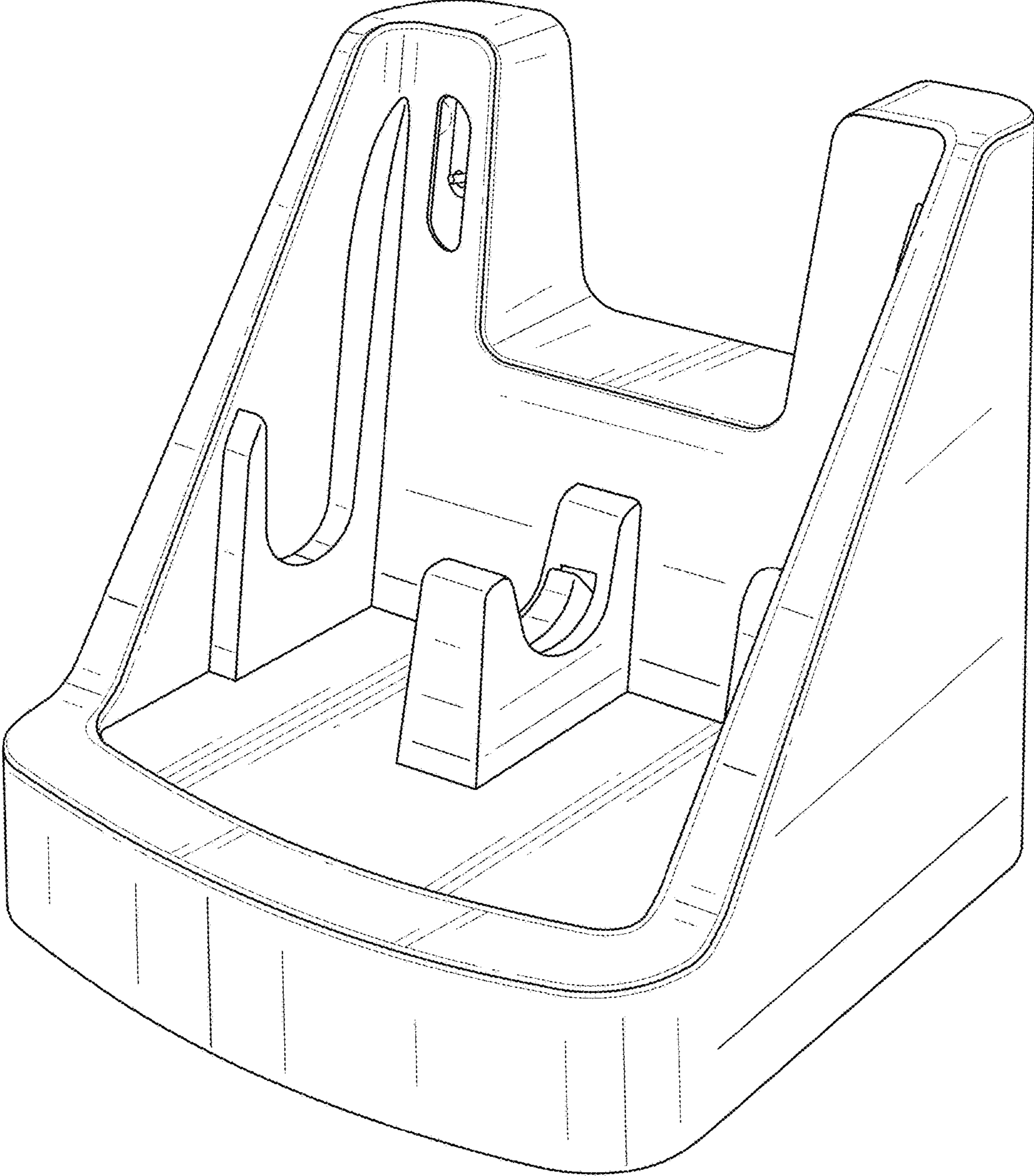


Fig. 1

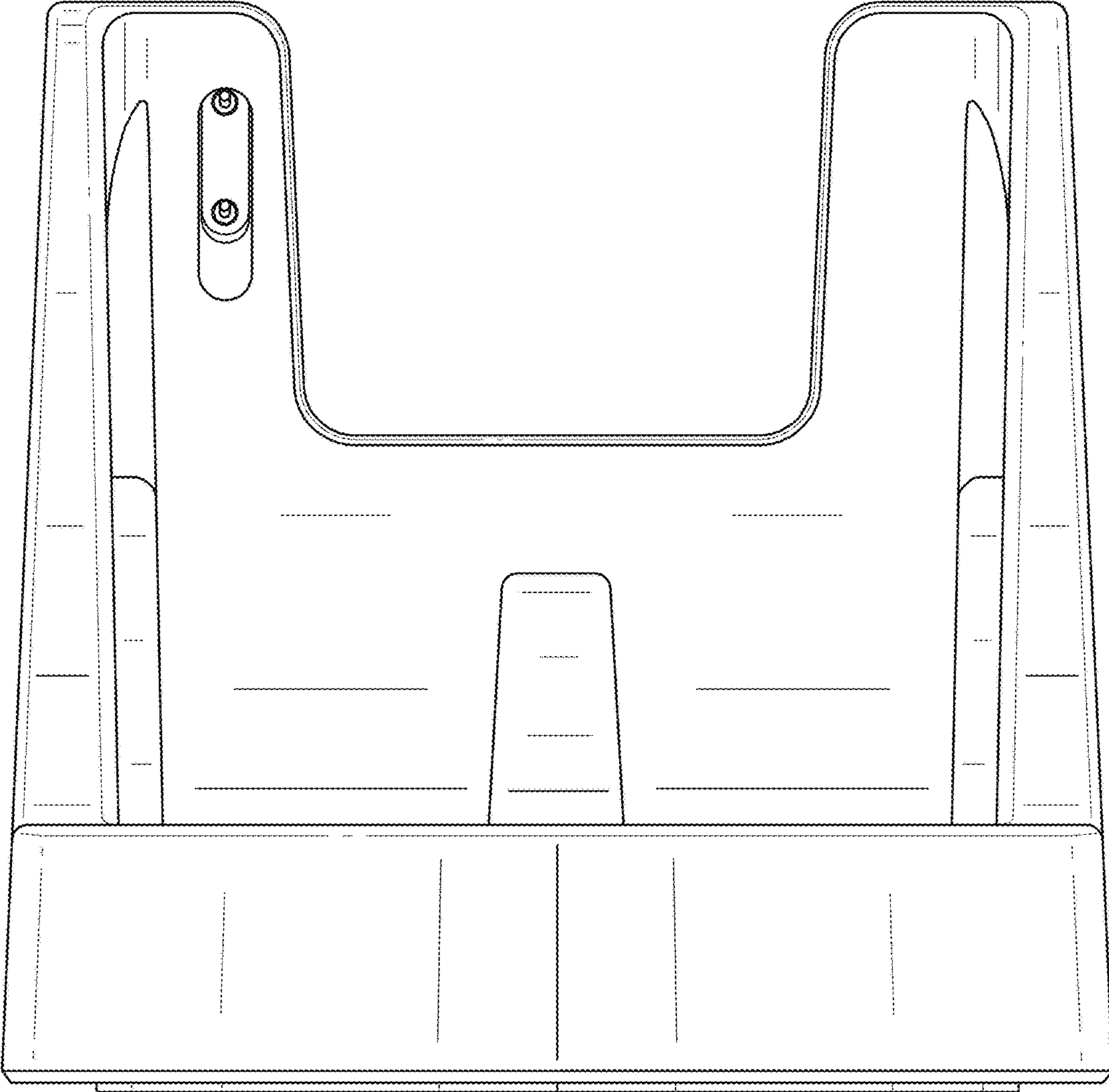


Fig. 2

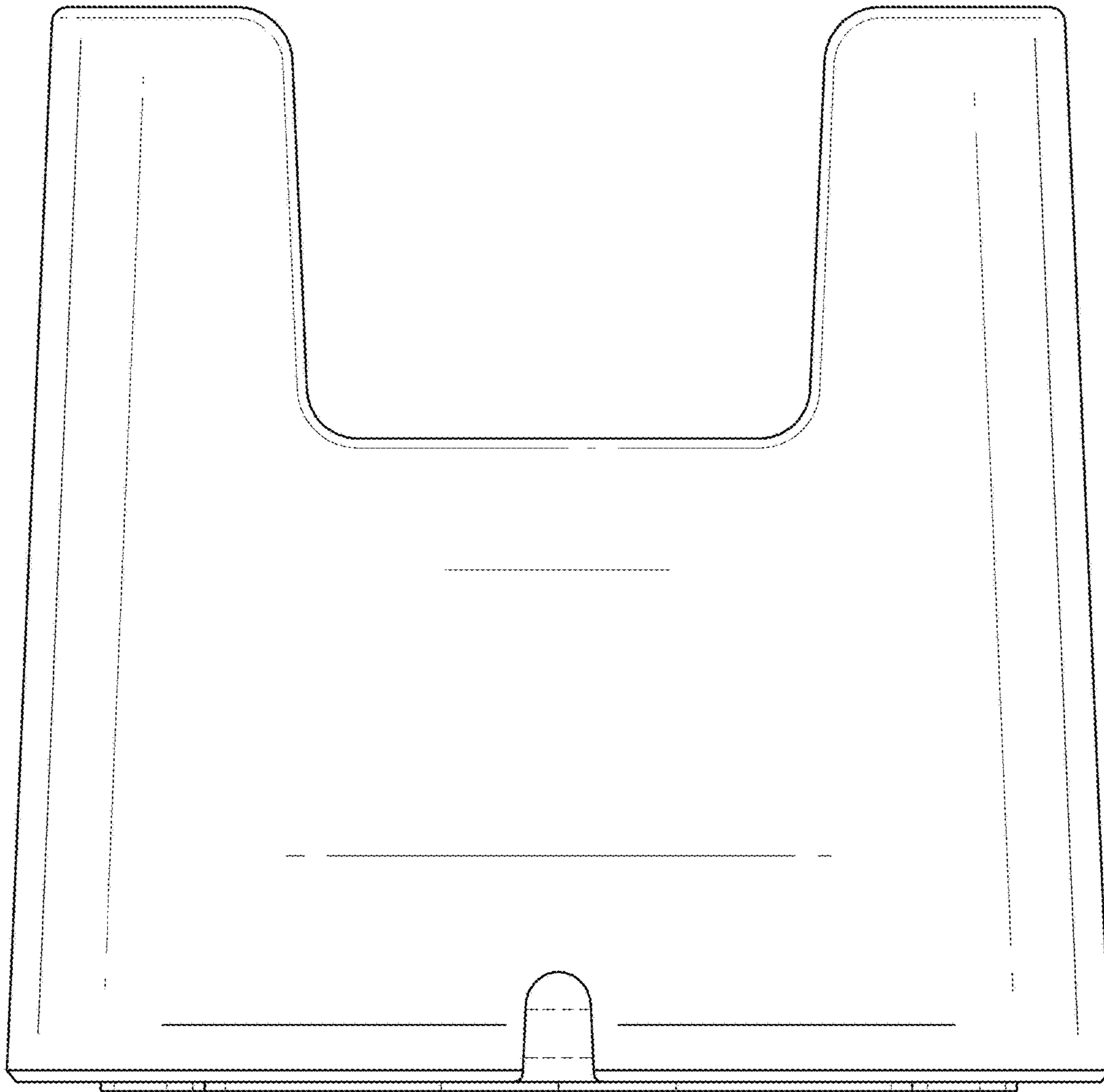


Fig. 3

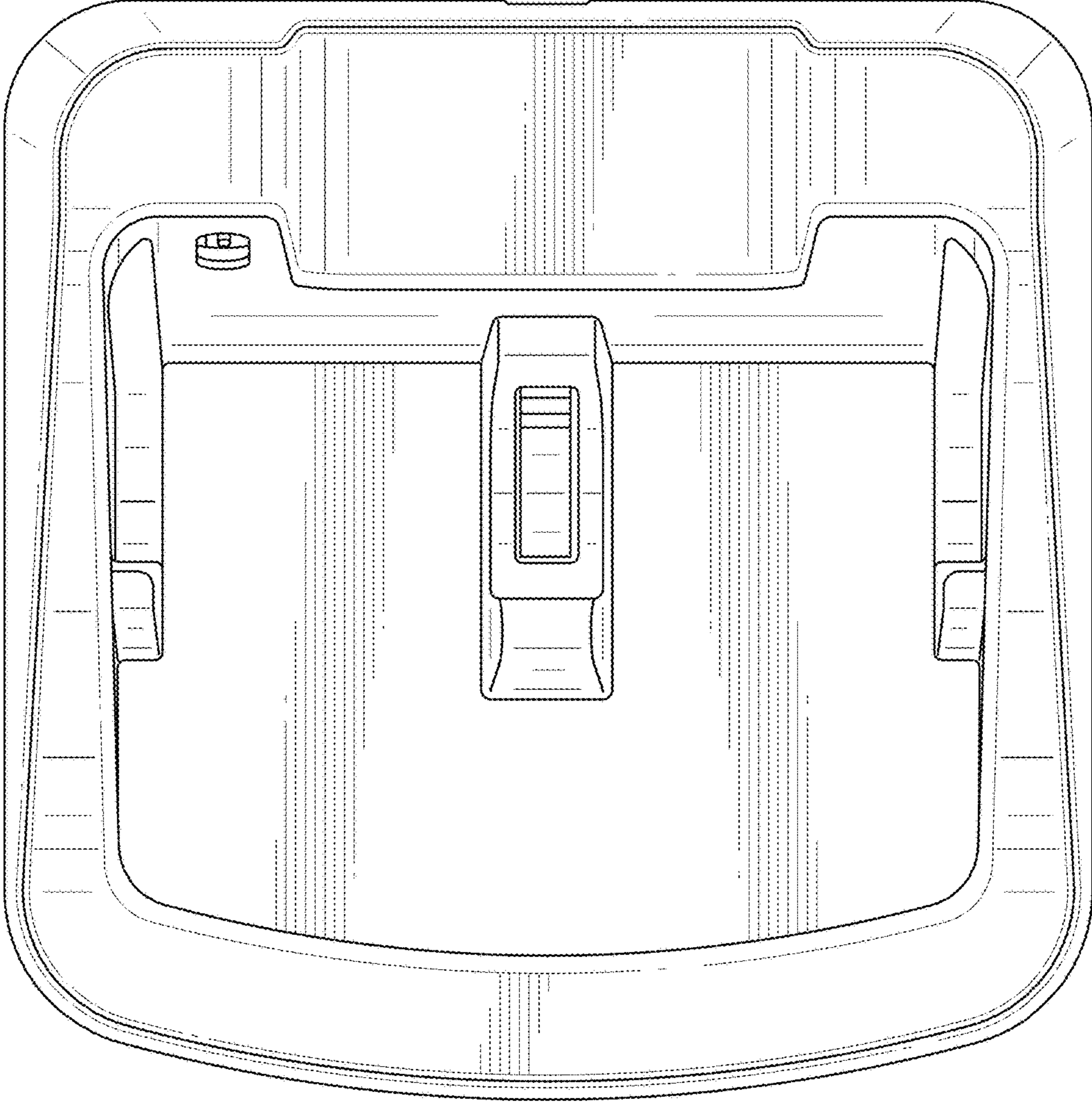


Fig. 4

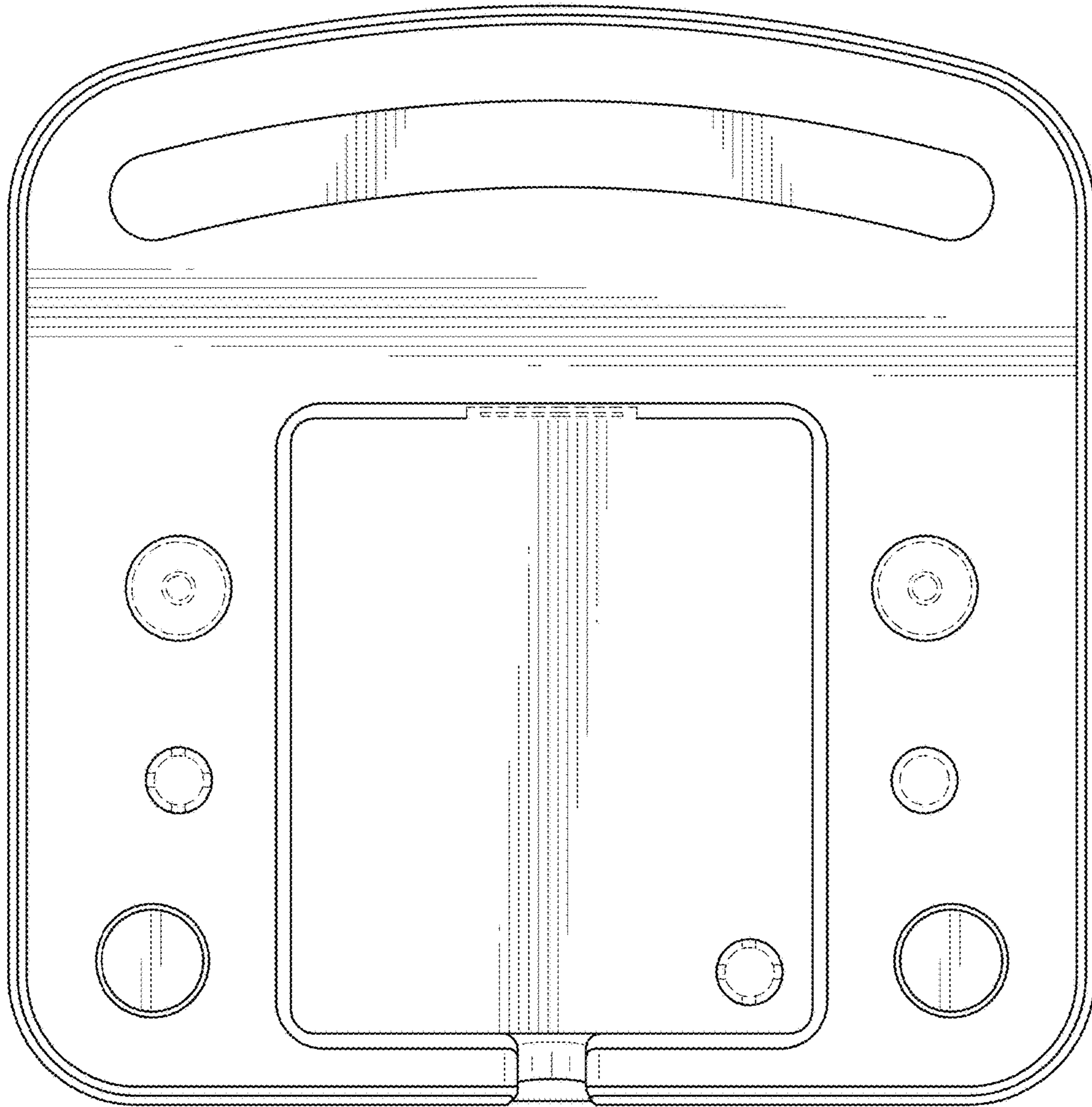


Fig. 5

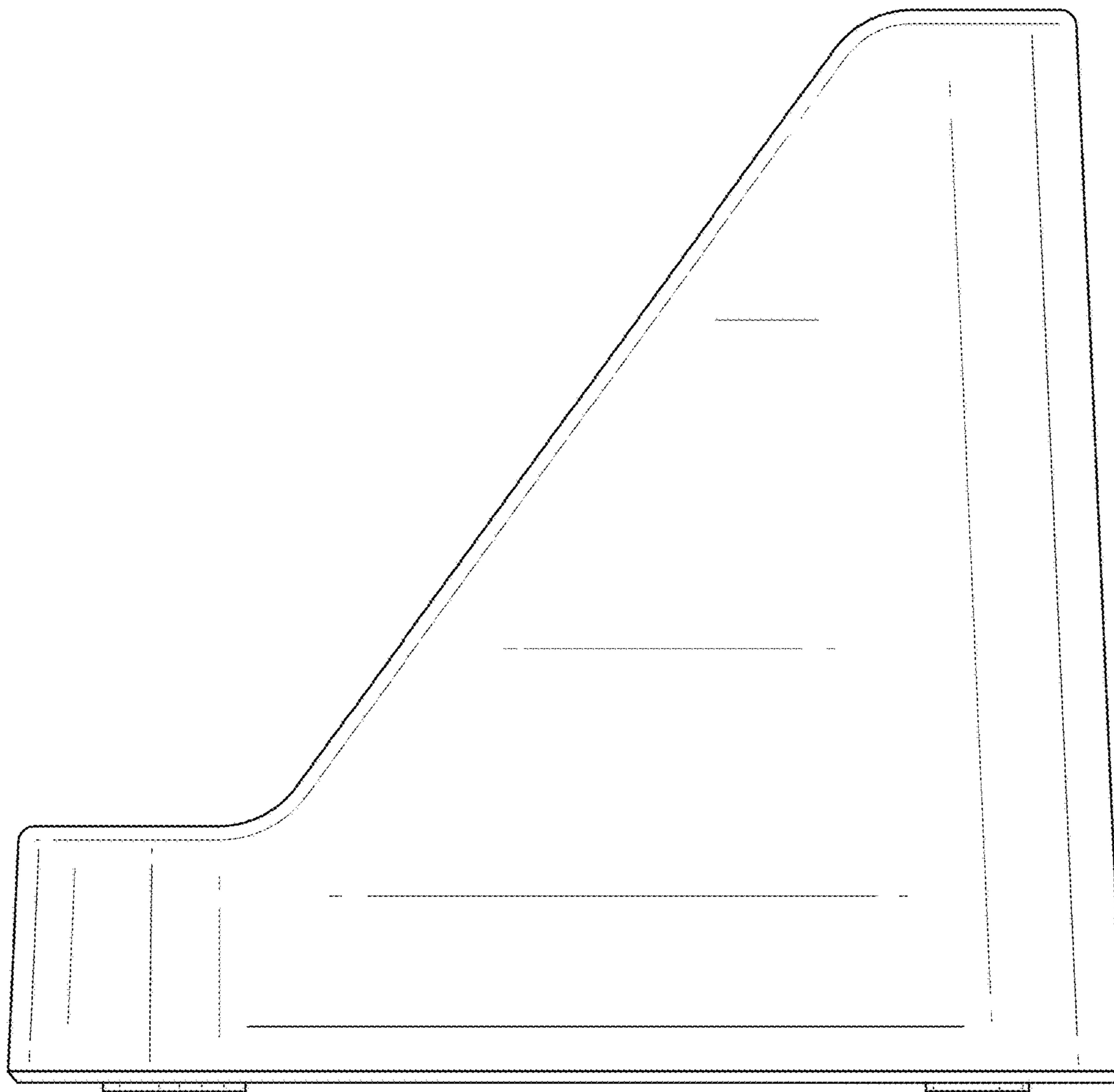


Fig. 6



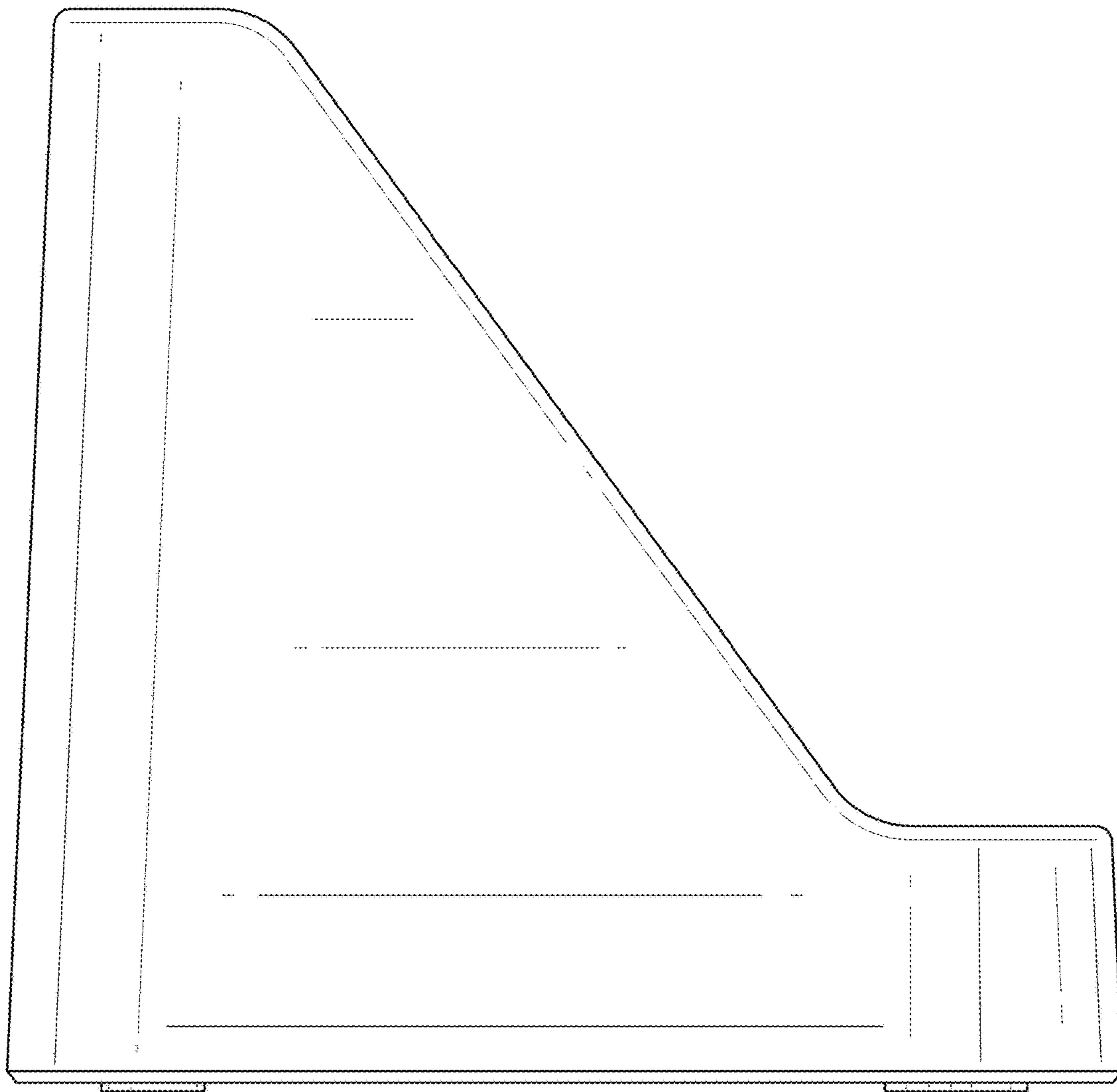


Fig. 7

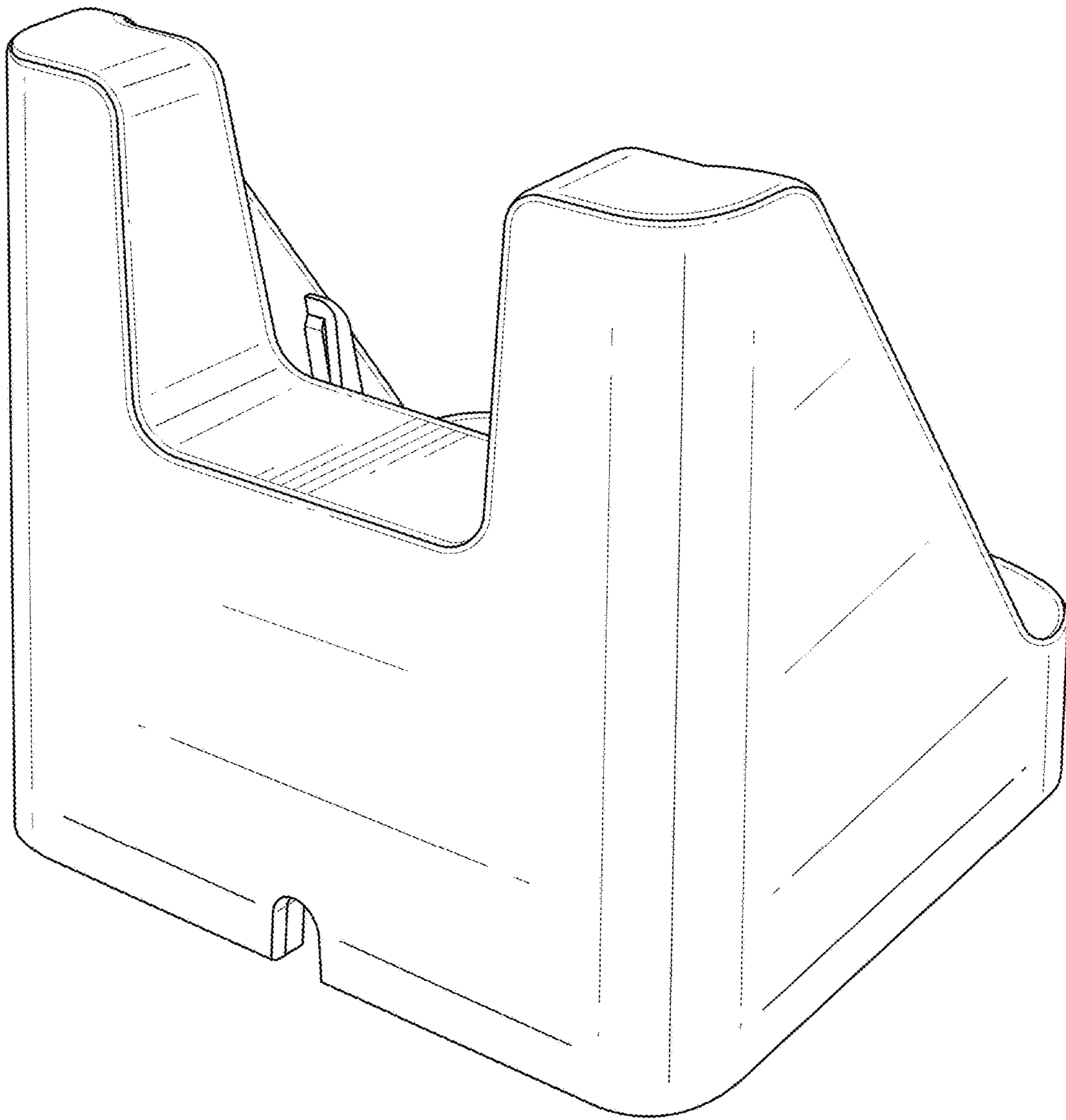


Fig. 8

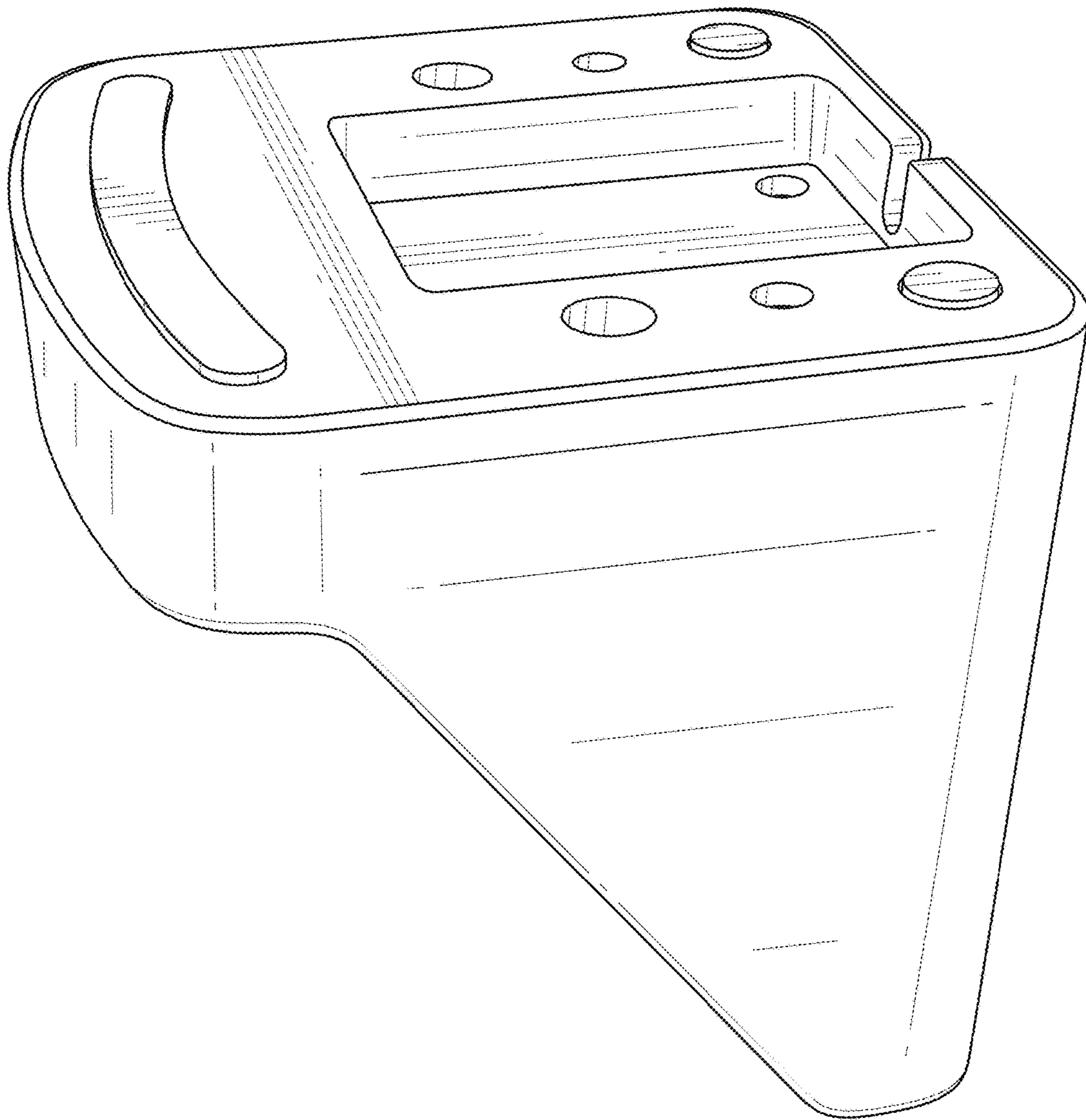


Fig. 9

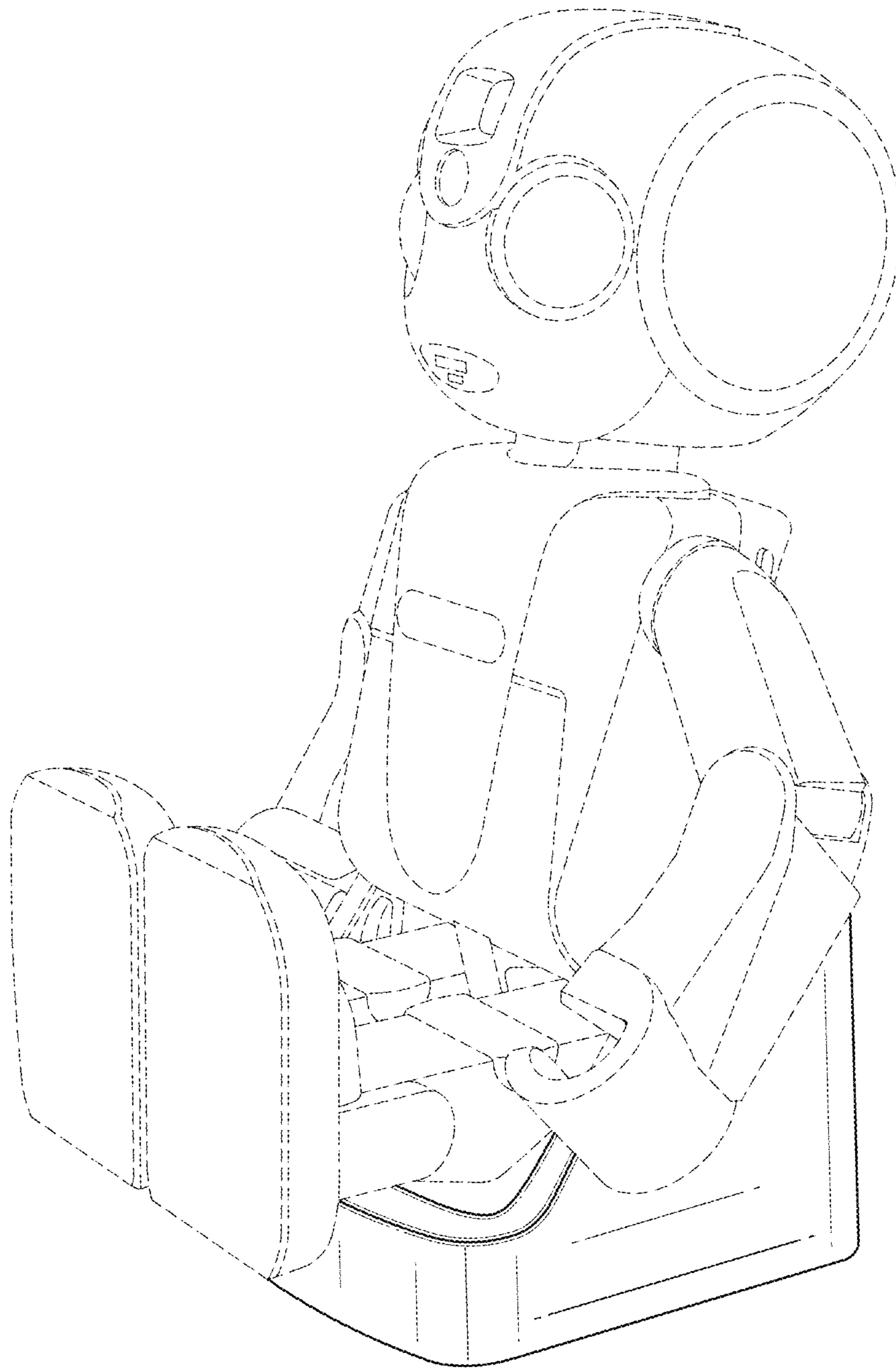


Fig. 10

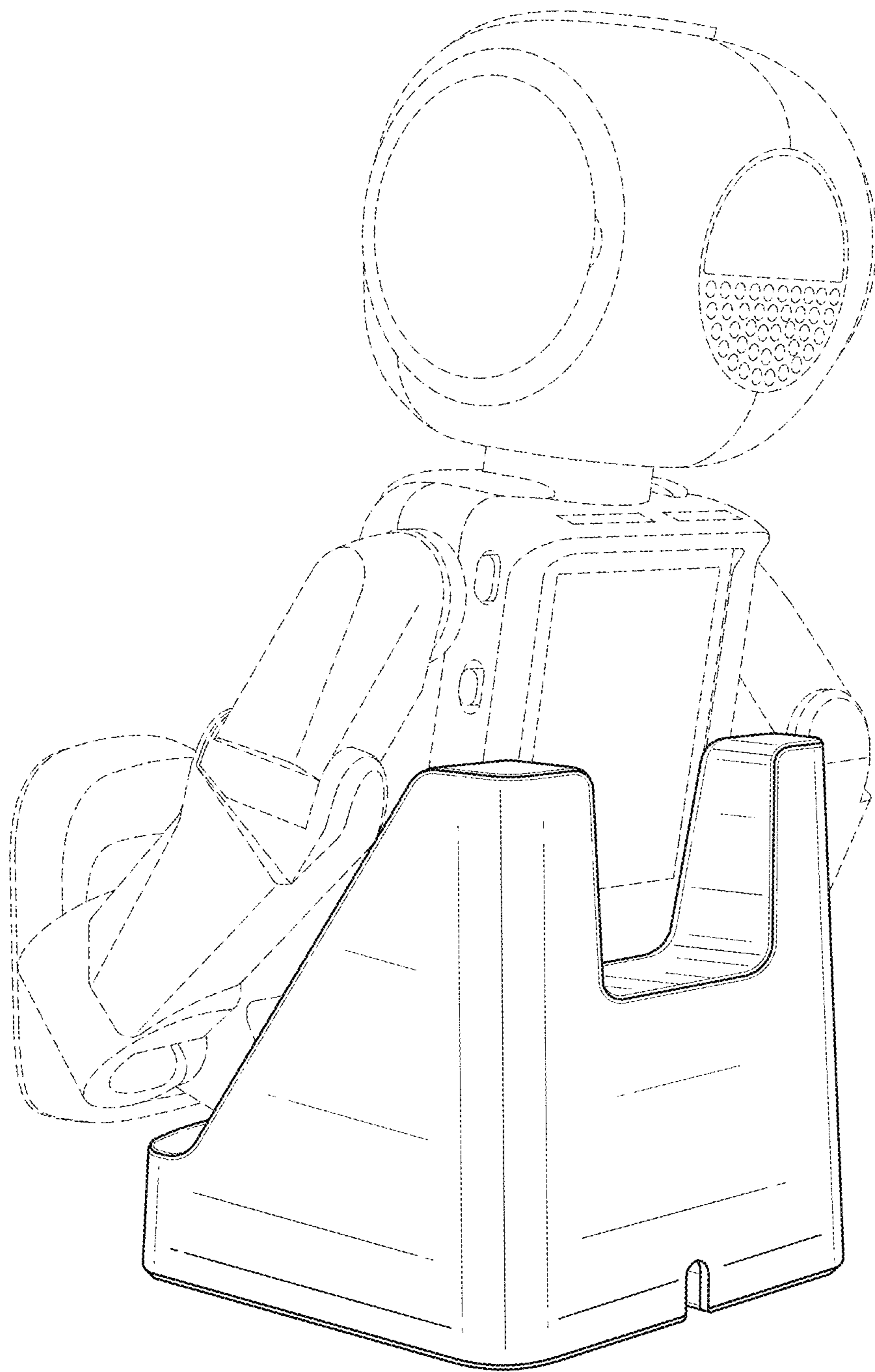


Fig. 11