



US00D810012S

(12) **United States Design Patent** (10) **Patent No.:** **US D810,012 S**
Li (45) **Date of Patent:** **** Feb. 13, 2018**

(54) **CHARGER**

(71) Applicant: **Wenjie Li**, Guangzhou (CN)

(72) Inventor: **Wenjie Li**, Guangzhou (CN)

(**) Term: **15 Years**

(21) Appl. No.: **29/568,086**

(22) Filed: **Jun. 15, 2016**

(51) **LOC (11) Cl.** **13-02**

(52) **U.S. Cl.**
USPC **D13/107**

(58) **Field of Classification Search**
USPC D13/102–110, 118–119, 184; D14/251,
D14/253, 432, 434
CPC Y02E 60/12; Y02T 90/14; Y02T 90/122;
Y02T 90/128; Y02T 90/163; H02J 7/025;
H02J 7/0042; H02J 7/0044; H02J 7/0045;
H02J 7/0003; H01F 38/14; H01R
13/6675; H01M 2/1022; H01M 2/1055;
H01M 10/44; H01M 10/46; H01M
10/425; B60L 11/182
See application file for complete search history.

(56) **References Cited**

U.S. PATENT DOCUMENTS

D465,452 S *	11/2002	Lie	D13/107
D466,075 S *	11/2002	Lie	D13/107
D515,501 S *	2/2006	Kawasaki	D13/107
D519,447 S *	4/2006	Lie	D13/107
D523,394 S *	6/2006	Lie	D13/107
D546,281 S *	7/2007	Bell	D13/107
D571,722 S *	6/2008	Kang	D13/107
D573,088 S *	7/2008	Castellucci	D13/107
D599,287 S *	9/2009	Kingston	D13/107
7,589,493 B2 *	9/2009	Satsuma	H02J 7/0045 320/107

D623,130 S *	9/2010	Kawakami	D13/107
2002/0063550 A1 *	5/2002	Chen	H02J 7/0013 320/110
2007/0069688 A1 *	3/2007	Satsuma	H02J 7/0042 320/110

OTHER PUBLICATIONS

Nitecore Intellicharger, amazon.com, date first available on amazon.com Sep. 14, 2016, retrieved on Apr. 11, 2017, retrieved from the Internet: URL<https://www.amazon.com/NITECORE-New-i4-Intellicharger-EdisonBright/dp/B01LZGD87D/ref=sr_1_4?ie=UTF8&qid=1491939917&sr=8-4&keywords=nitecore+charger.*>

* cited by examiner

Primary Examiner — Rosemary K Tarcza
Assistant Examiner — Alison M Ofstun
(74) *Attorney, Agent, or Firm* — Schmeiser, Olsen & Watts, LLP

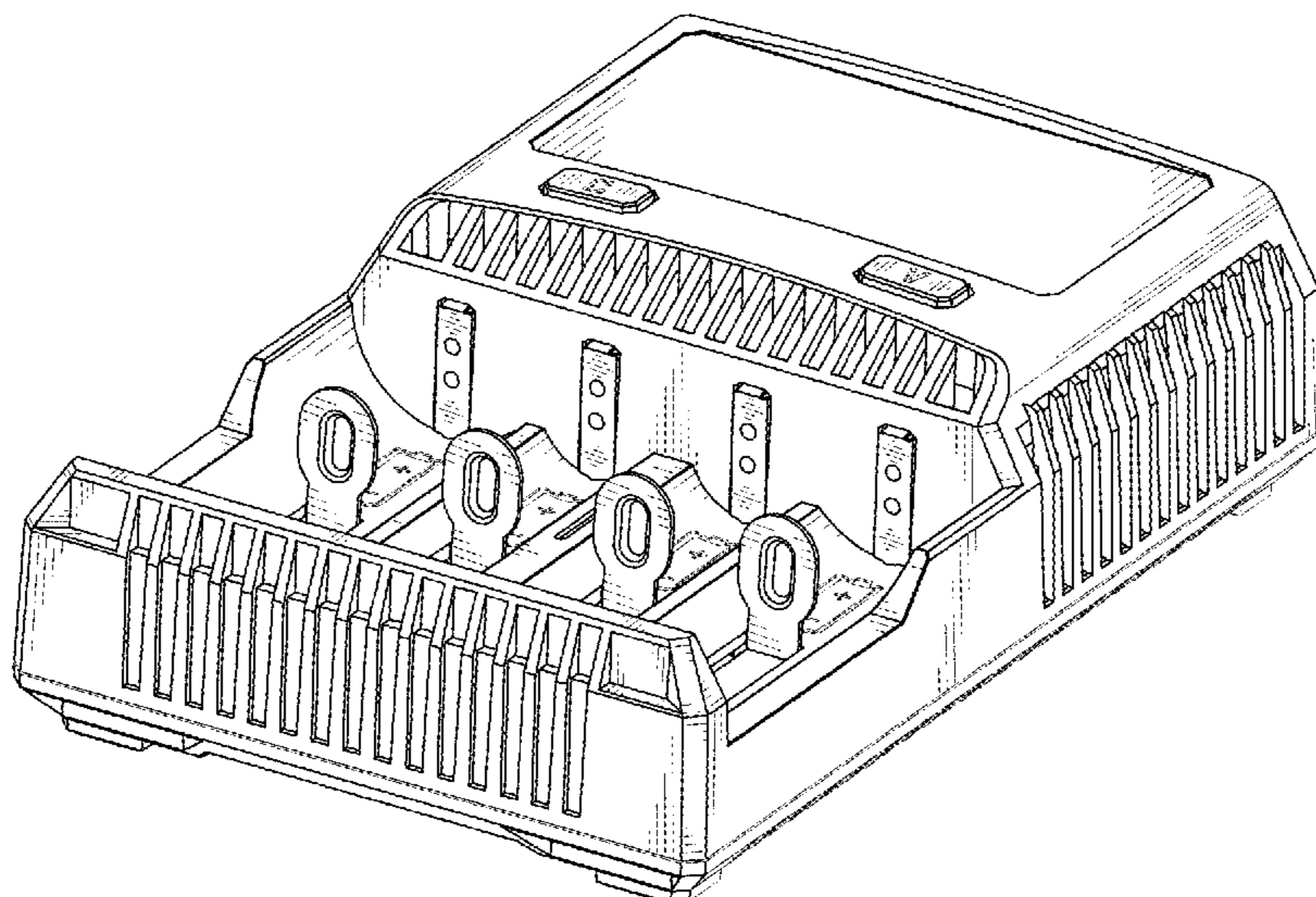
(57) **CLAIM**

The ornamental design for a charger, as shown and described.

DESCRIPTION

FIG. 1 is a perspective view of a charger showing my new design;
FIG. 2 is a front view thereof;
FIG. 3 is a rear view thereof;
FIG. 4 is a left side view thereof, the right side being a mirror image thereof;
FIG. 5 is a top view thereof;
FIG. 6 is a bottom view thereof; and,
FIG. 7 is perspective view thereof, shown in an environment of use.
The broken lines present in the figures are included for the purpose of illustrating unclaimed portions of the article or environmental subject matter, and form no part of the claimed design.

1 Claim, 7 Drawing Sheets



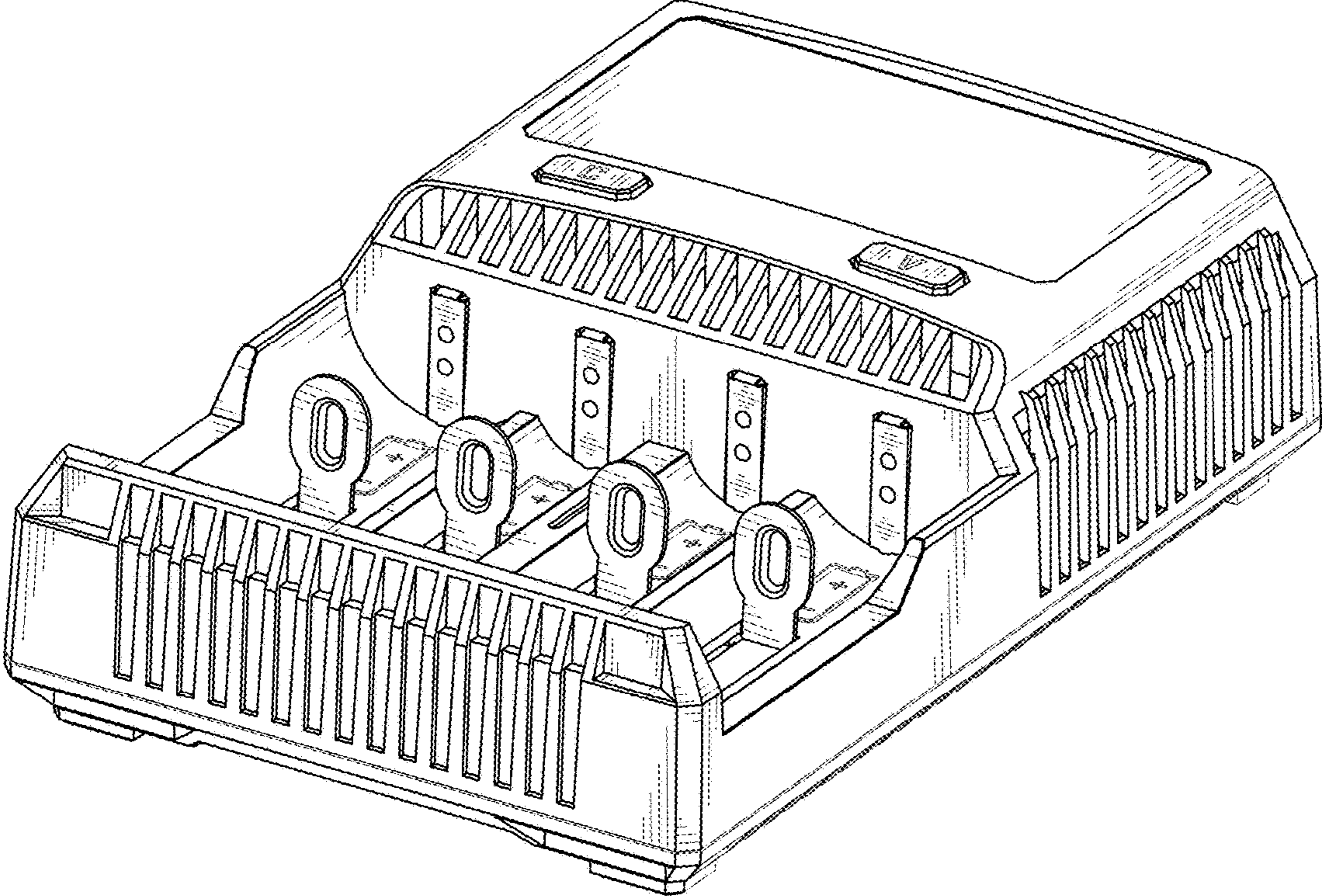


FIG. 1

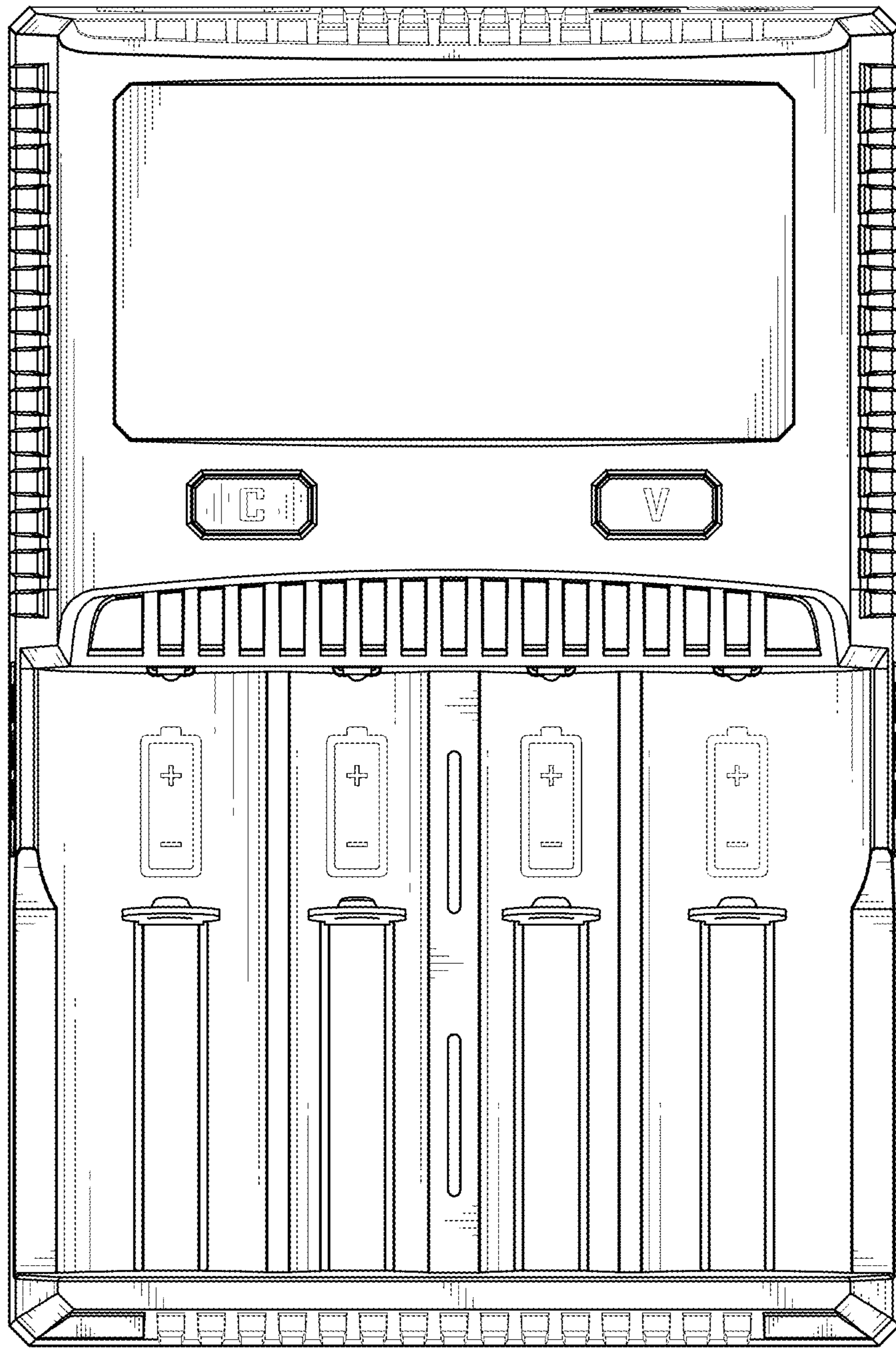


FIG. 2

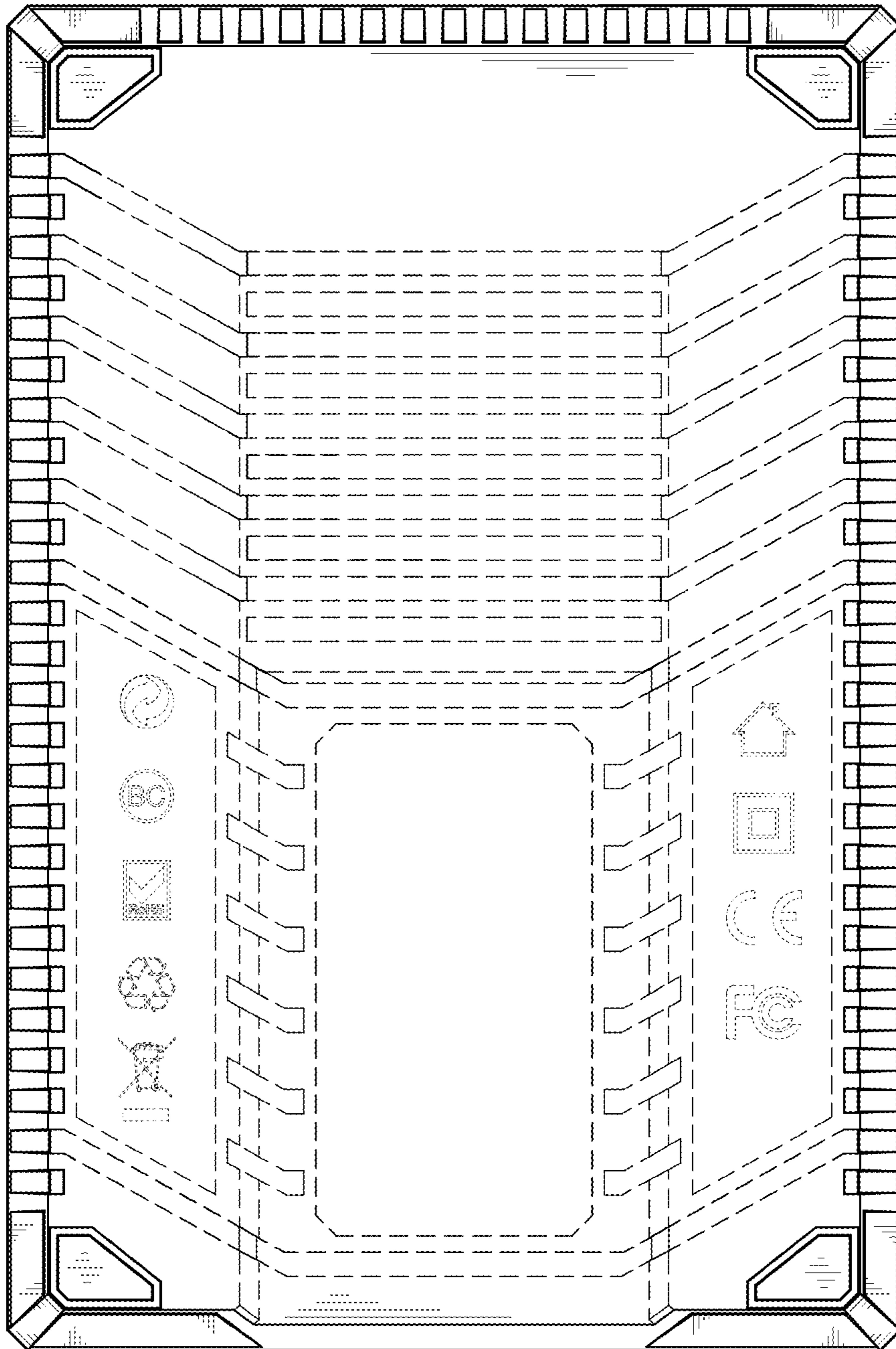


FIG. 3

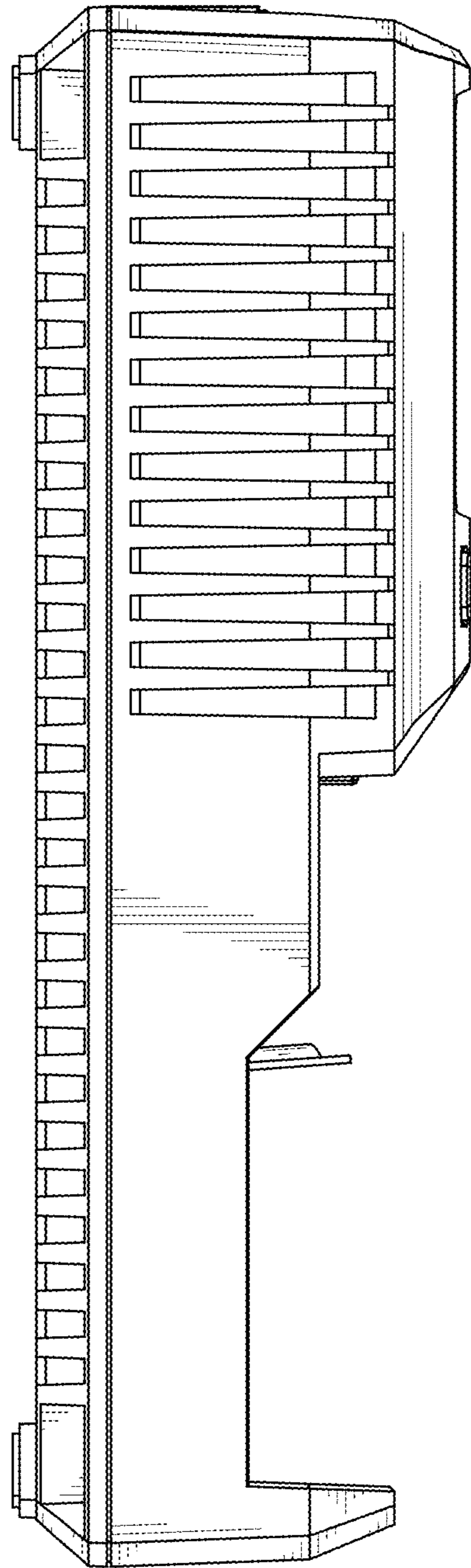


FIG. 4

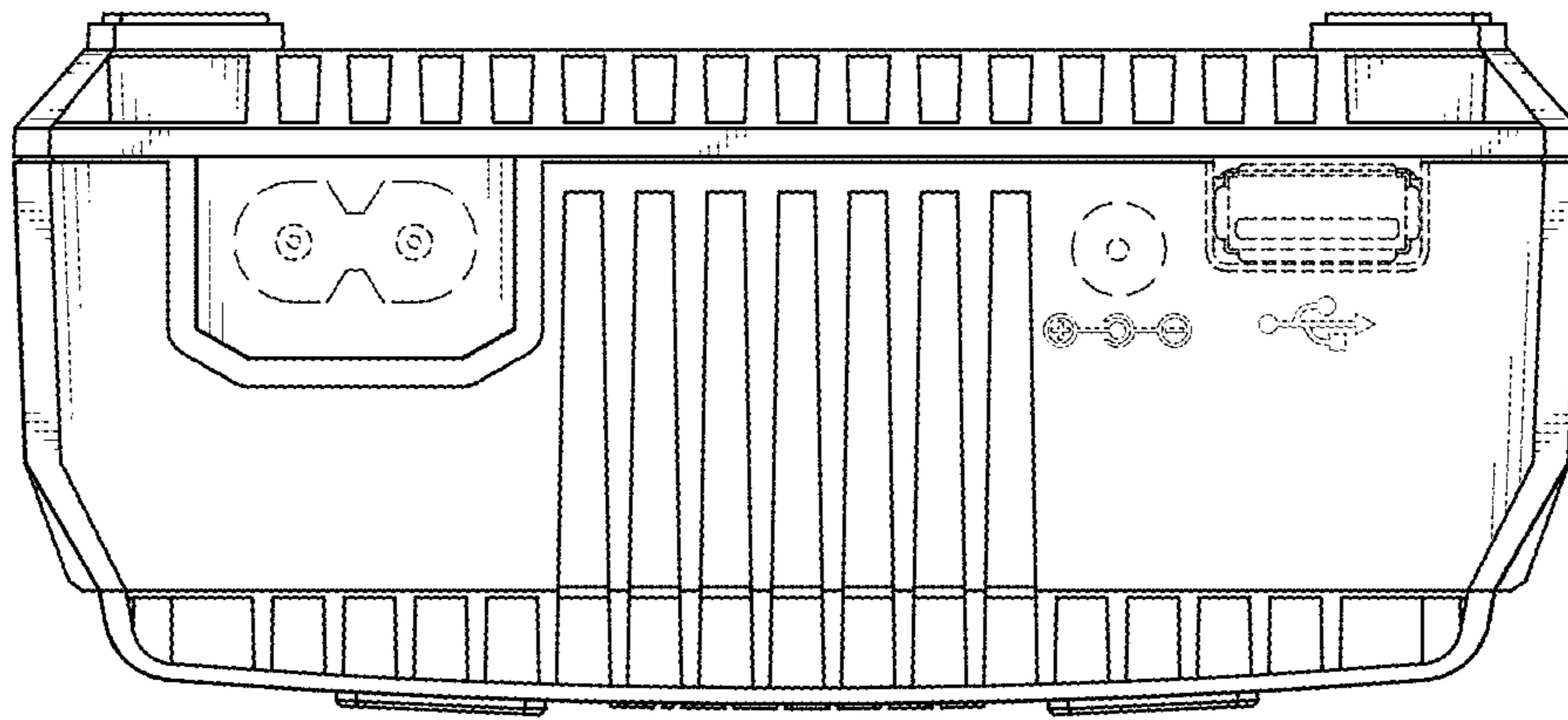


FIG. 5

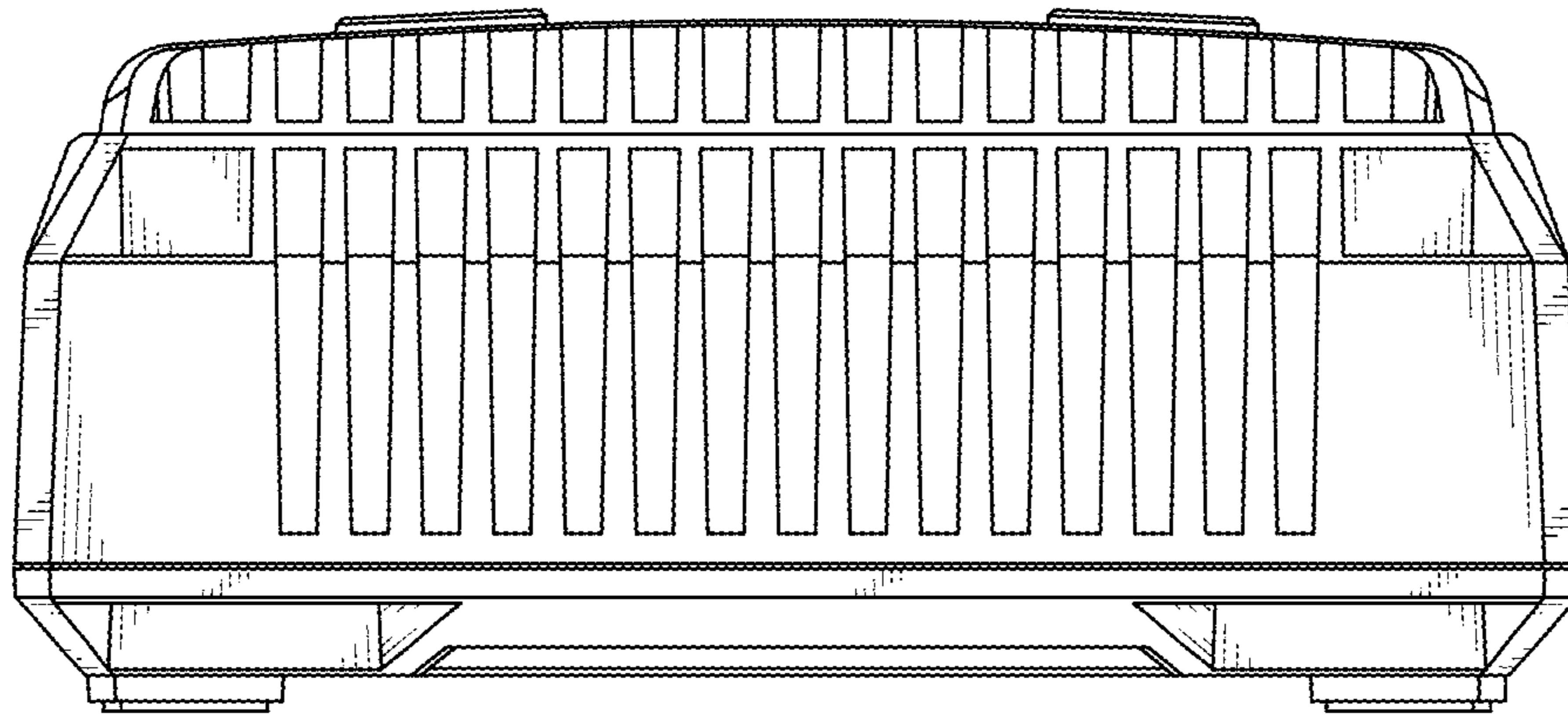


FIG. 6

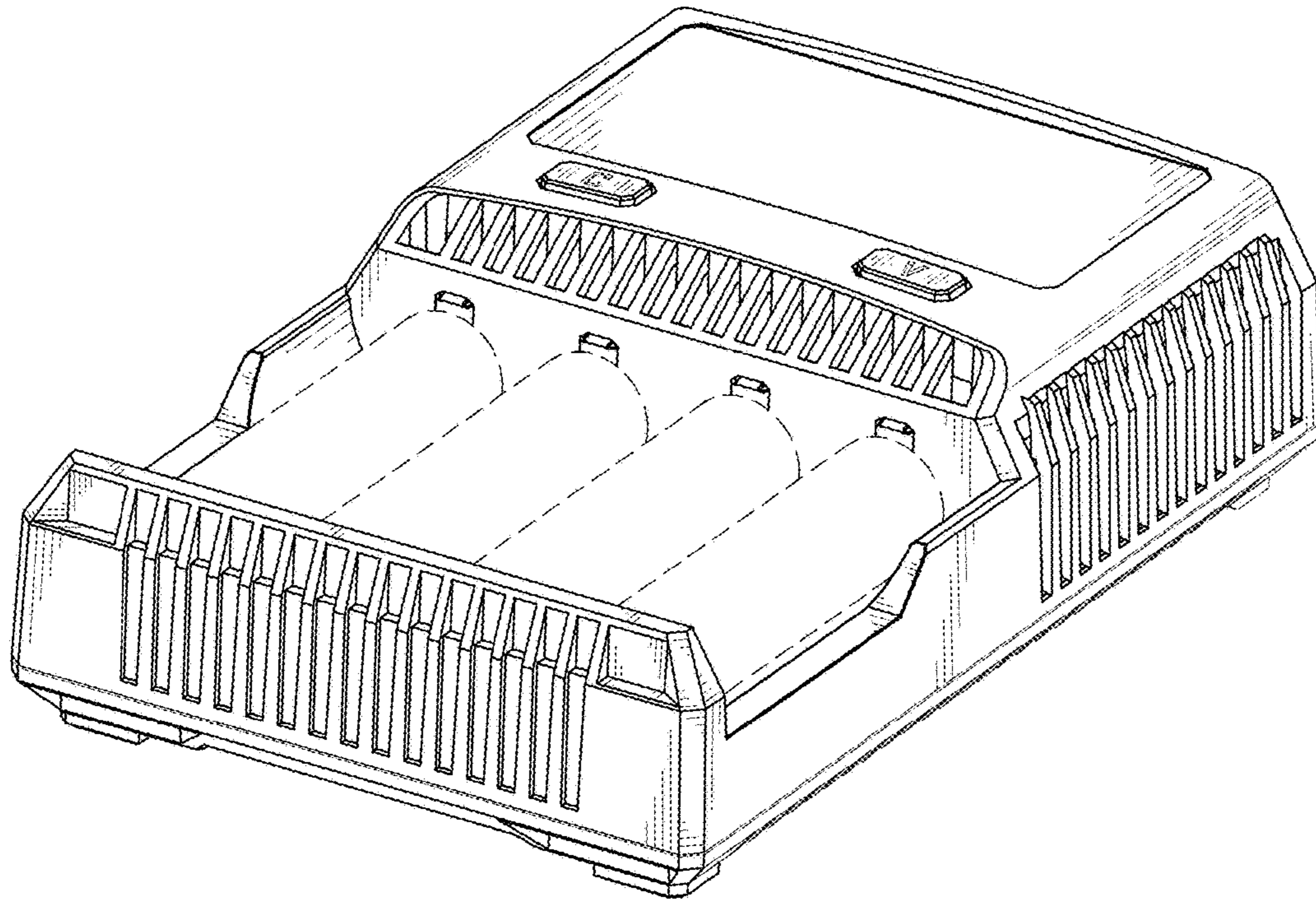


FIG. 7