



US00D810010S

(12) **United States Design Patent**  
**Rook et al.**

(10) **Patent No.:** **US D810,010 S**  
(45) **Date of Patent:** **\*\* Feb. 13, 2018**

- (54) **ROOFTOP SUPPORT BASE**
- (71) Applicant: **PHD Manufacturing, Inc.**,  
Columbiana, OH (US)
- (72) Inventors: **Benjamin J Rook**, Canfield, OH (US);  
**Robert J Burnside**, Struthers, OH (US)
- (73) Assignee: **PHD Manufacturing, Inc.**,  
Columbiana, OH (US)
- (\*\*) Term: **15 Years**
- (21) Appl. No.: **29/580,062**
- (22) Filed: **Oct. 5, 2016**
- (51) **LOC (11) Cl.** ..... **13-02**
- (52) **U.S. Cl.**  
USPC ..... **D13/102**; D13/155; D8/349; D8/380
- (58) **Field of Classification Search**  
USPC ..... D13/102, 155; D8/300, 313, 314, 316,  
D8/321, 330, 343, 349, 354, 367, 373,  
D8/380, 382, 397-400, 499  
CPC .... F16M 13/00; F16L 3/00; F16L 3/12; F16L  
3/08; F16L 3/127; F16L 3/13; F16L 3/24;  
F16L 3/2235; F16L 3/237; F16L 3/20;  
E01F 15/003; E01F 15/00; E04H 12/12;  
E04D 13/00; E04D 13/15  
See application file for complete search history.

- D521,851 S \* 5/2006 Smart ..... D8/354
- D564,958 S \* 3/2008 Almy ..... D13/102
- 7,607,619 B2 \* 10/2009 Smart ..... F16L 3/04  
248/68.1
- 7,661,240 B2 \* 2/2010 Sargent ..... F16L 3/137  
248/146
- 7,731,131 B2 \* 6/2010 Trueb ..... E04D 13/00  
248/49
- 7,866,093 B2 \* 1/2011 Krovats ..... E04D 13/12  
52/24
- 8,312,692 B2 \* 11/2012 Krovats ..... E04D 13/12  
52/41
- 8,356,778 B2 \* 1/2013 Birli ..... F16L 3/127  
248/65
- D692,393 S \* 10/2013 Hillman ..... D13/102
- D738,711 S \* 9/2015 Tally ..... D8/380
- D749,935 S \* 2/2016 Rook ..... D8/349
- D758,834 S \* 6/2016 Tally ..... D8/380
- D767,796 S \* 9/2016 Kinsman ..... D25/133

(Continued)

*Primary Examiner* — Mark Goodwin  
(74) *Attorney, Agent, or Firm* — Botkin & Hall, LLP

(57) **CLAIM**

The ornamental design for a rooftop support base, as shown and described.

**DESCRIPTION**

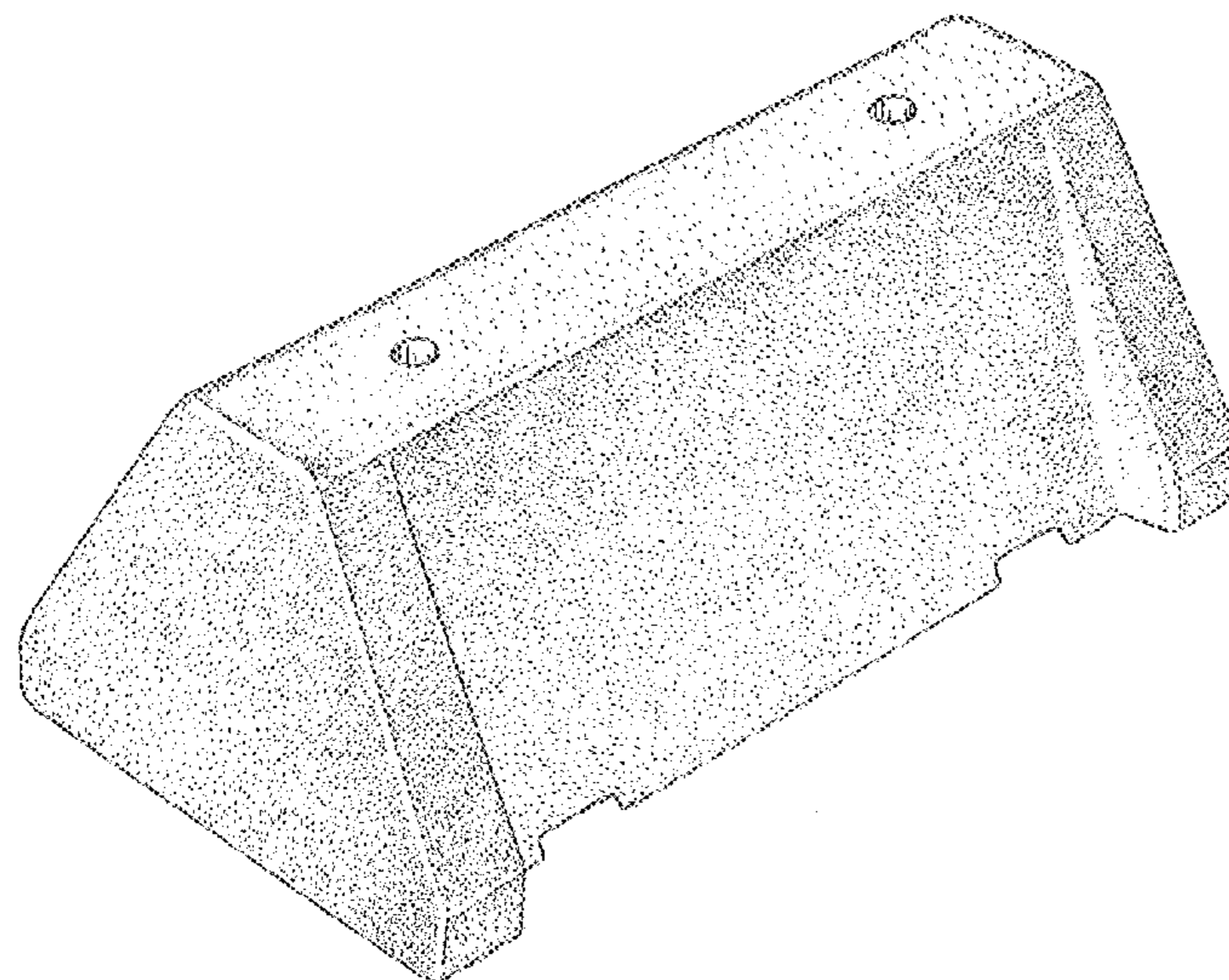
FIG. 1 is a top isometric view of the rooftop support base; FIG. 2 is a bottom isometric view of the rooftop support base; FIG. 3 is a top view of the rooftop support base; FIG. 4 is a front view of the rooftop support base, the rear view being identical; FIG. 5 is a left side view of the rooftop support, the right side view being identical; and, FIG. 6 is a bottom view of the rooftop support base. The broken lines depict portions of the rooftop support base that form no part of the claimed design, and are for illustrative purposes only.

**1 Claim, 3 Drawing Sheets**

(56) **References Cited**

U.S. PATENT DOCUMENTS

- D242,619 S \* 12/1976 Bake ..... D23/250
- 5,102,073 A \* 4/1992 Lestenkof, Jr. .... F16L 3/227  
138/106
- D399,727 S \* 10/1998 Richter ..... D8/380
- 6,592,093 B2 \* 7/2003 Valentz ..... F16L 3/00  
248/346.01
- 6,679,461 B1 \* 1/2004 Hawkins ..... F16L 3/00  
248/346.01



(56)

**References Cited**

U.S. PATENT DOCUMENTS

9,528,271	B2 *	12/2016	Rook	.....	E04H 12/12
2006/0091265	A1 *	5/2006	Smart	.....	F16L 3/02
					248/49
2007/0045482	A1 *	3/2007	Smart	.....	F16L 3/04
					248/68.1
2007/0057125	A1 *	3/2007	Hawkins	.....	F16L 3/00
					248/74.2
2007/0120036	A1 *	5/2007	Olle	.....	F16L 3/24
					248/615
2010/0155545	A1 *	6/2010	Birli	.....	F16L 3/127
					248/70

\* cited by examiner

FIG. 1

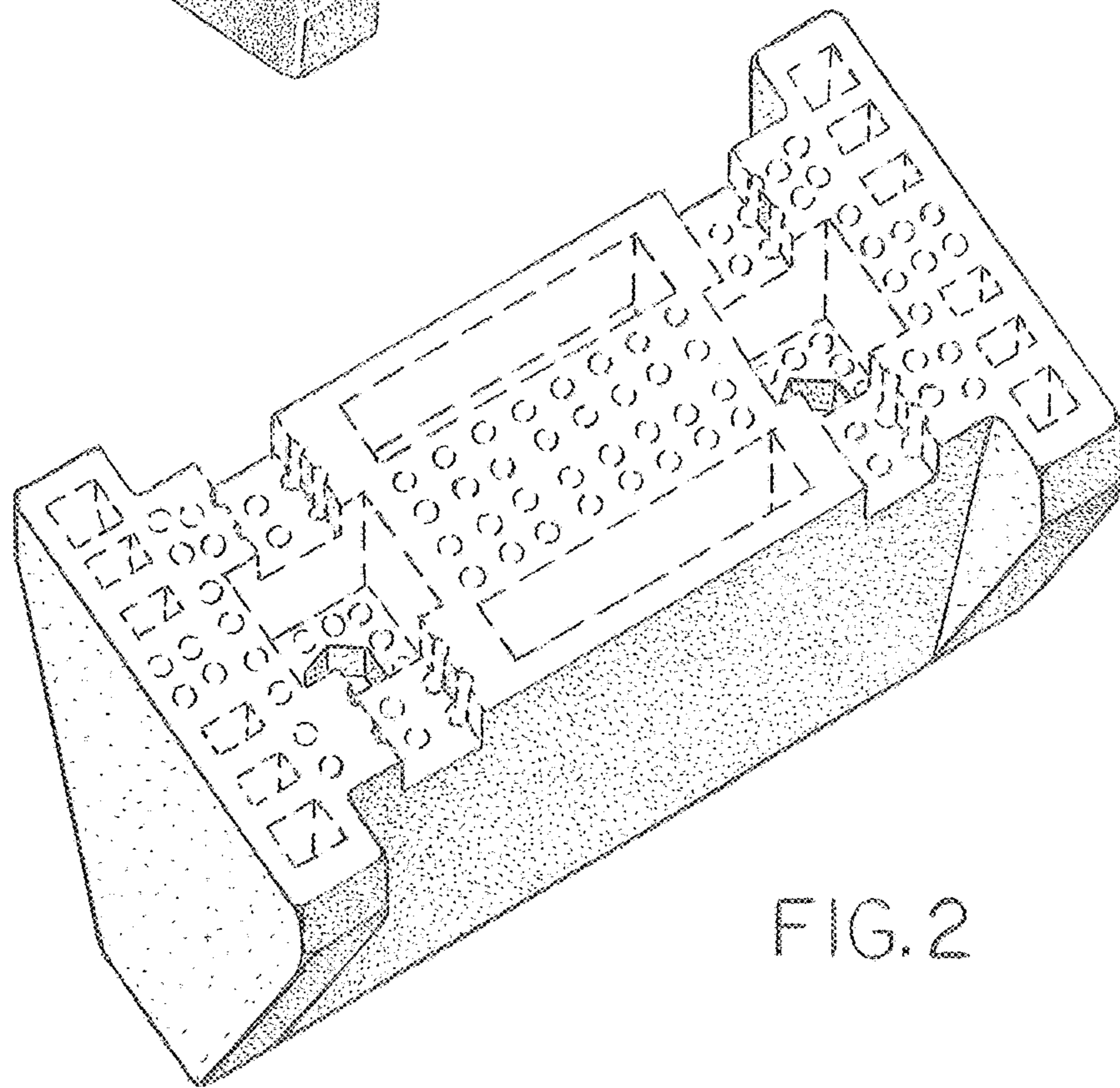
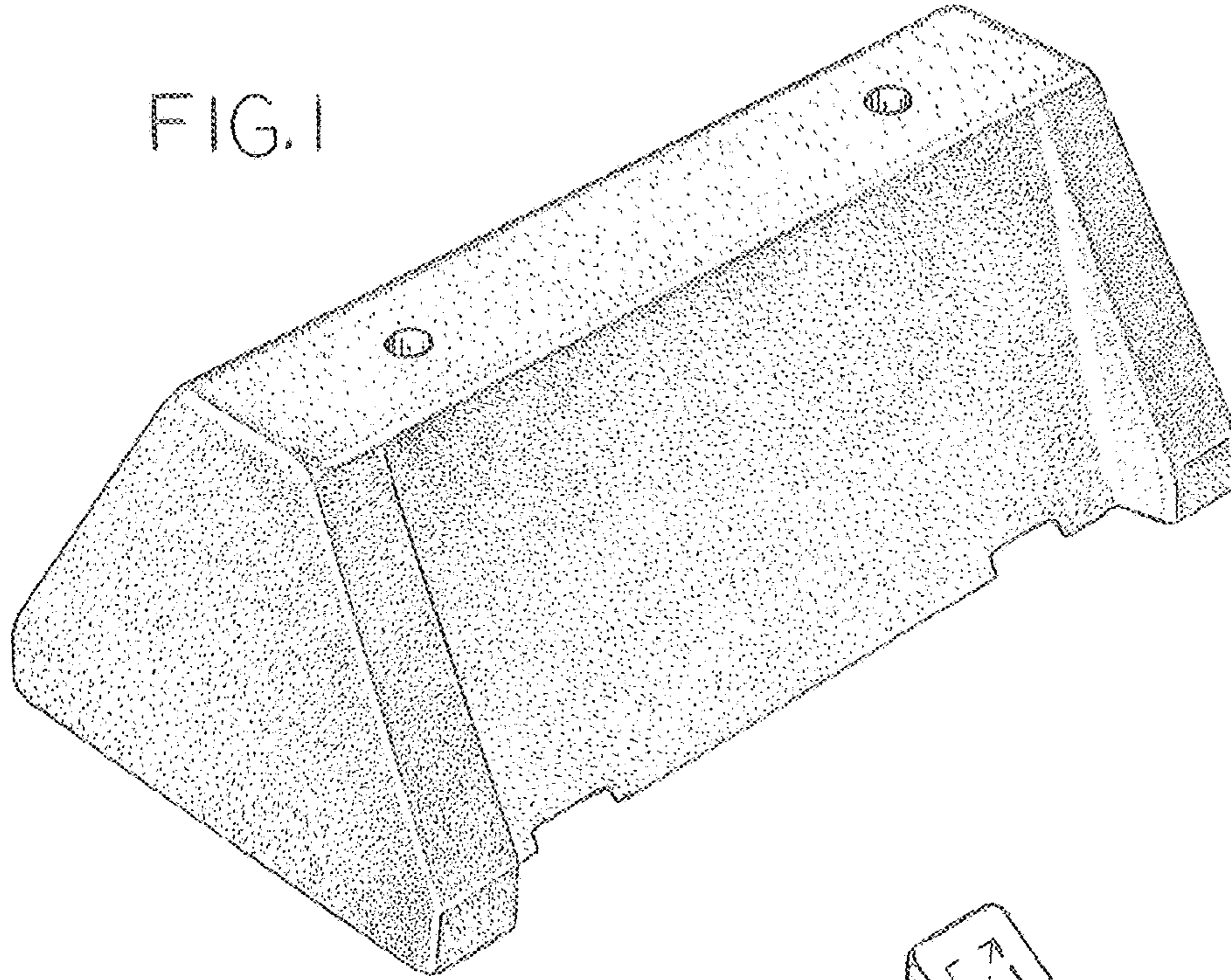


FIG. 2

FIG. 3

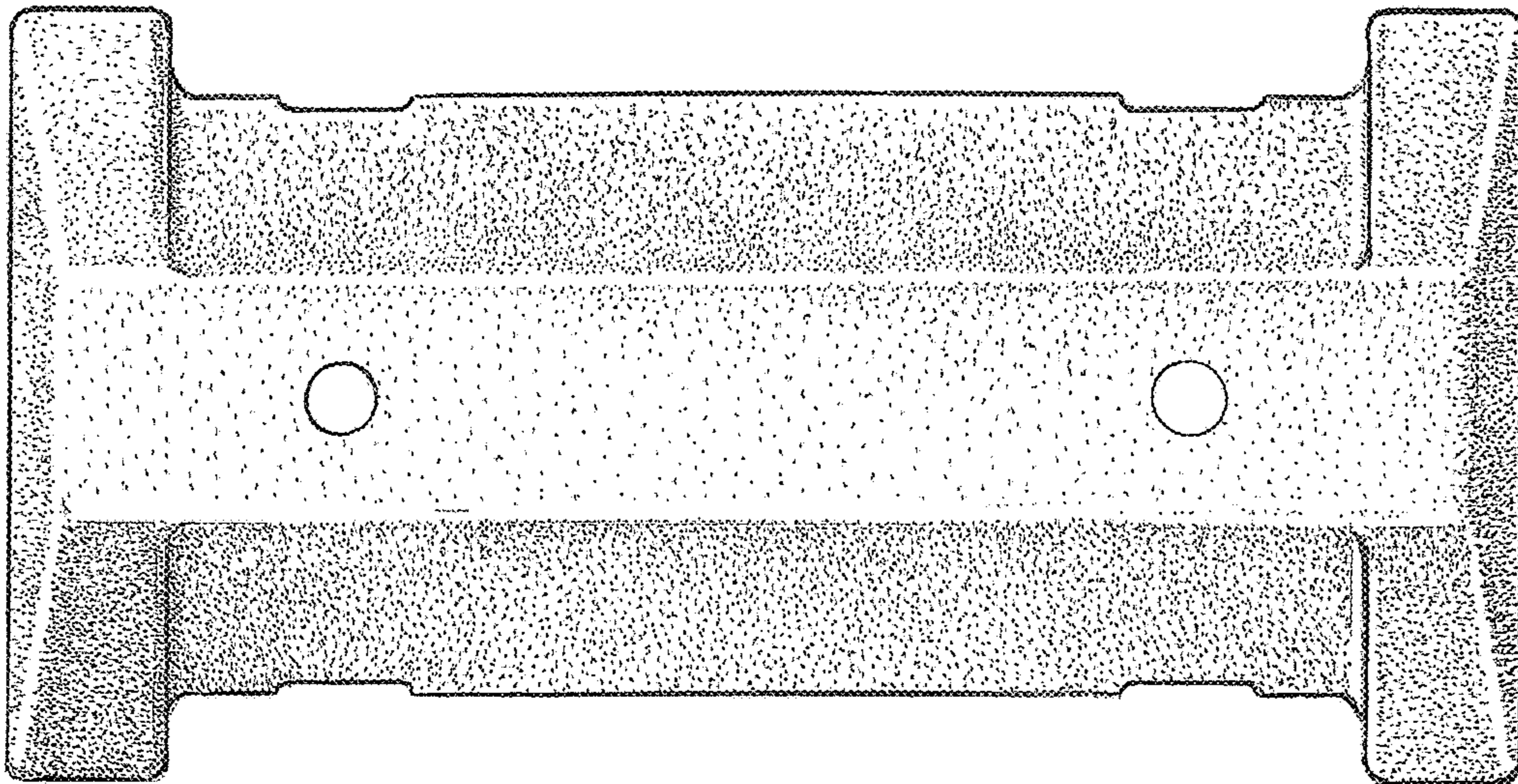


FIG. 4

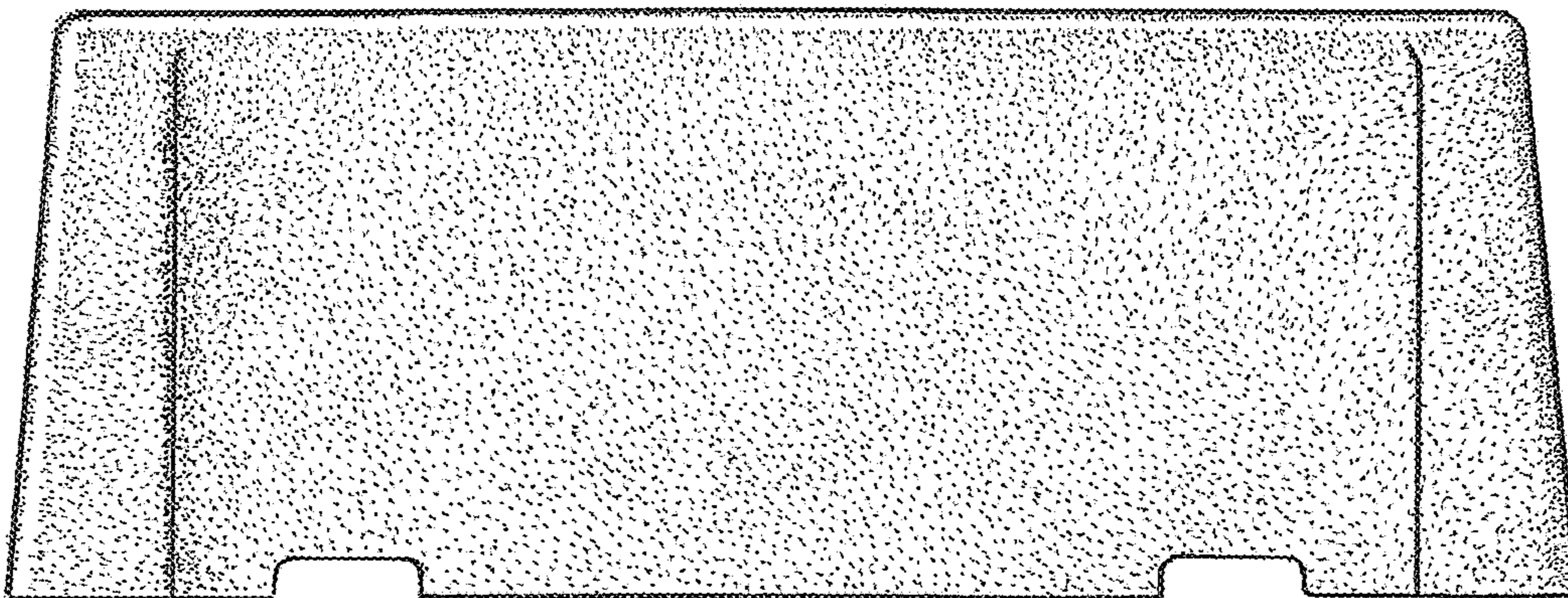


FIG. 5

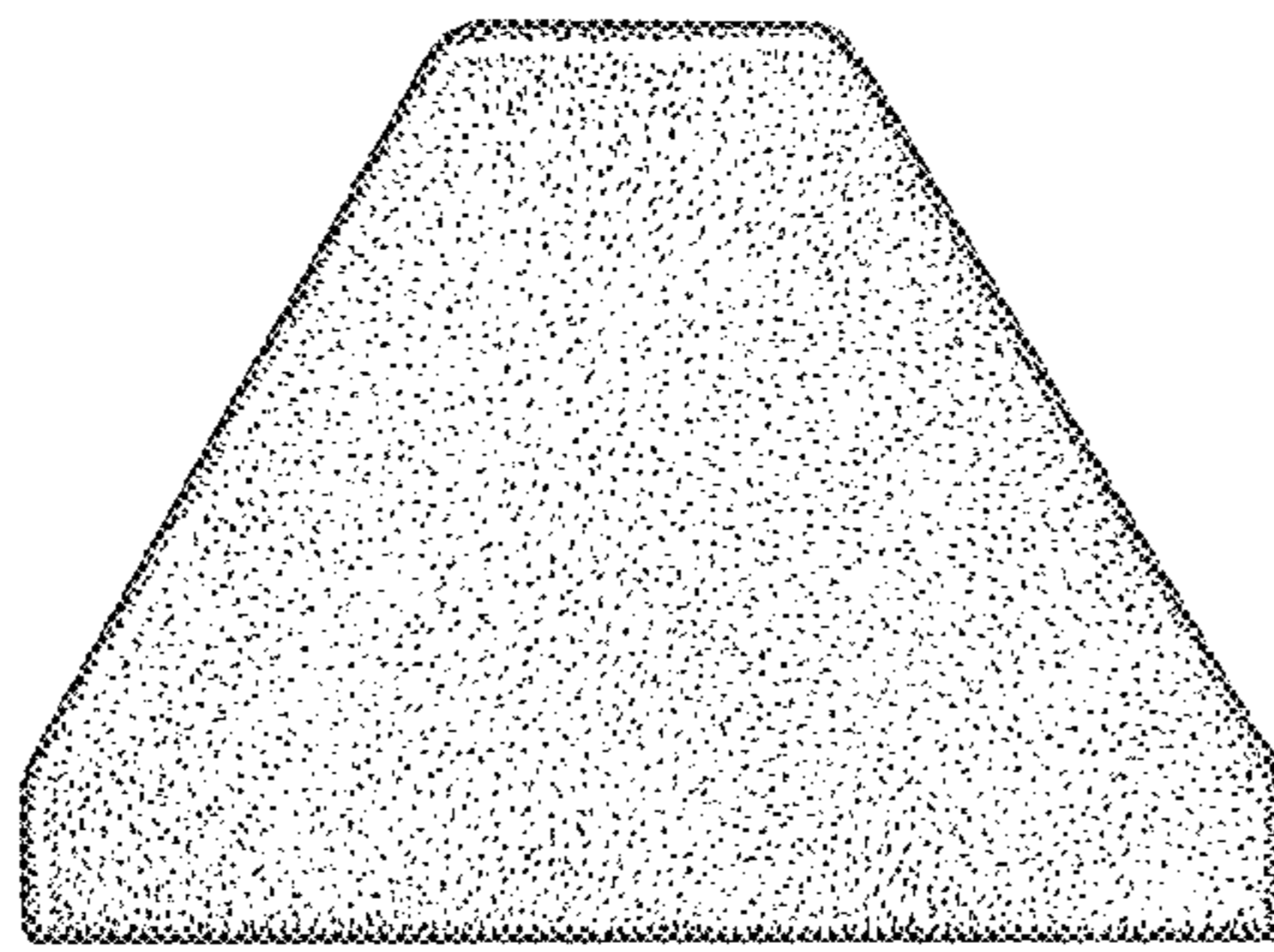


FIG. 6

