



US00D810009S

(12) **United States Design Patent**
Anderson et al.

(10) **Patent No.:** **US D810,009 S**

(45) **Date of Patent:** **** *Feb. 13, 2018**

(54) **POCKET SOLAR PANEL CHARGER**

(71) Applicant: **World Panel, Inc.**, Westminster, CO (US)

(72) Inventors: **John Augustus Anderson**, Superior, CO (US); **Nathan Daniel Cook**, Denver, CO (US)

(73) Assignee: **SunStream Technology, Inc.**, Westminster, CO (US)

(*) Notice: This patent is subject to a terminal disclaimer.

(**) Term: **15 Years**

(21) Appl. No.: **29/579,715**

(22) Filed: **Oct. 3, 2016**

Related U.S. Application Data

(60) Division of application No. 29/513,141, filed on Dec. 27, 2014, now Pat. No. Des. 770,971, which is a continuation-in-part of application No. 29/495,852, filed on Jul. 4, 2014, now Pat. No. Des. 748,574.

(51) **LOC (11) Cl.** **13-02**

(52) **U.S. Cl.**
USPC **D13/102**

(58) **Field of Classification Search**
USPC D13/102, 103, 104, 107, 110, 119;
136/244, 245, 251, 256, 258, 291;
323/906; 126/569, 571, 600, 621, 623,
126/680, 906
CPC Y02E 10/50; Y02E 10/544; H01L 31/042
See application file for complete search history.

(56) **References Cited**

U.S. PATENT DOCUMENTS

D510,316 S * 10/2005 Hayakawa D13/102
D663,261 S * 7/2012 Cheung D13/102

D722,015 S * 2/2015 Owens D13/102
D729,156 S * 5/2015 Nook D13/102
D731,408 S * 6/2015 Ko D13/102
D734,248 S * 7/2015 Nook D13/102
9,157,418 B2 * 10/2015 Petersen F03D 9/007
D745,845 S * 12/2015 Anderson D13/102
D748,574 S * 2/2016 Anderson D13/102
D751,032 S * 3/2016 Anderson D13/102
D758,300 S * 6/2016 Srnec D13/102
D770,971 S * 11/2016 Anderson D13/102
2015/0372637 A1 * 12/2015 Wu H02S 30/10
136/251
2016/0285303 A1 * 9/2016 Mi H02J 7/355

* cited by examiner

Primary Examiner — Derrick Holland
Assistant Examiner — Jennifer O King

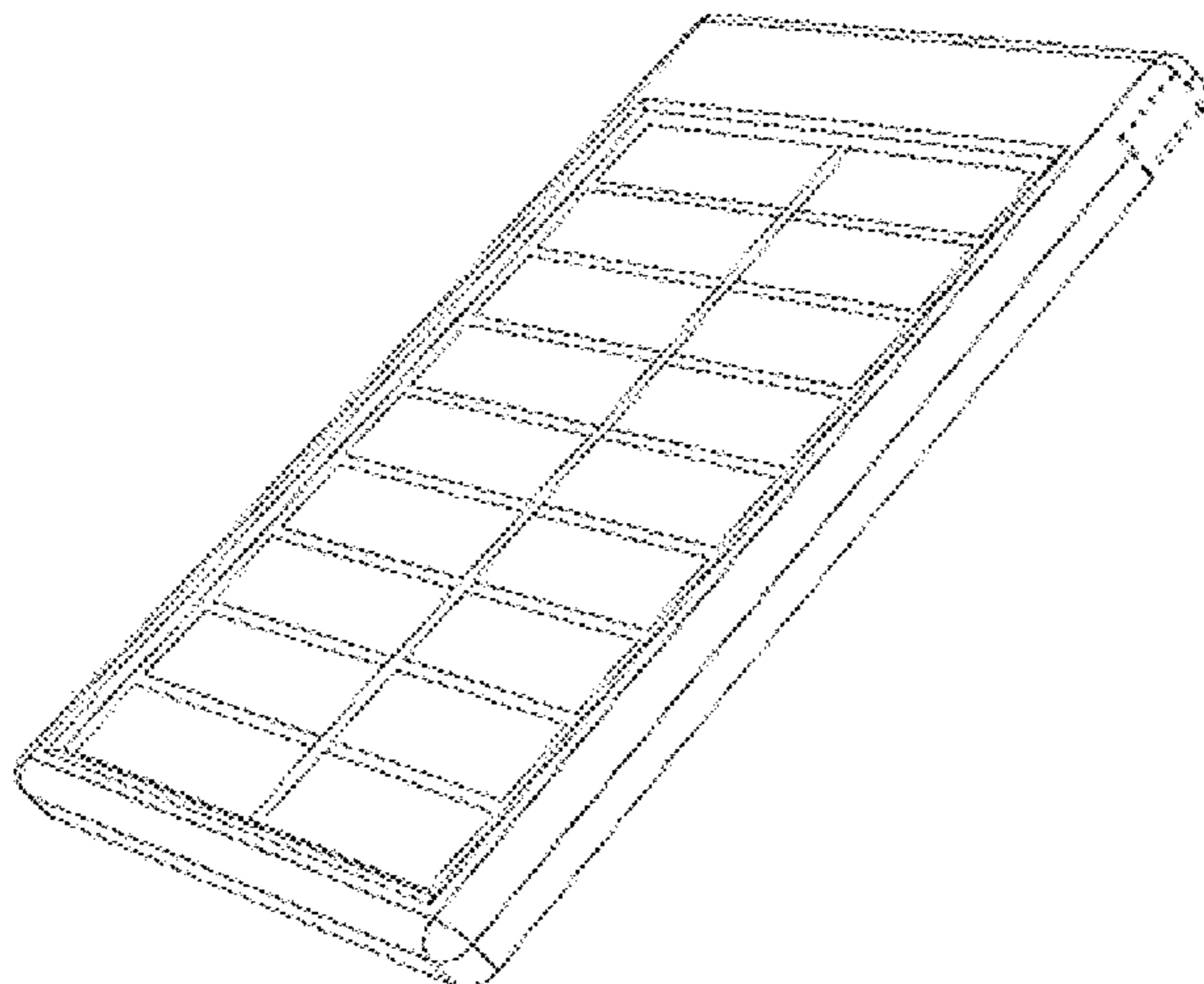
(57) **CLAIM**

The ornamental design for a pocket solar panel charger, as shown and described.

DESCRIPTION

FIG. 1 is a front perspective view of a pocket solar panel charger;
FIG. 2 is a front view thereof;
FIG. 3 is a back view thereof;
FIG. 4 is a top view thereof;
FIG. 5 is a bottom view thereof;
FIG. 6 is a right-side view thereof;
FIG. 7 is a left-side view thereof;
FIG. 8 is a front perspective view of a second embodiment of pocket solar panel charger;
FIG. 9 is a front view thereof;
FIG. 10 is a back view thereof;
FIG. 11 is a top view thereof;
FIG. 12 is a bottom view thereof;
FIG. 13 is a right-side view thereof; and,
FIG. 14 is a left-side view thereof.
The broken lines shown represent unclaimed subject matter and form no part of the claimed design.

1 Claim, 6 Drawing Sheets



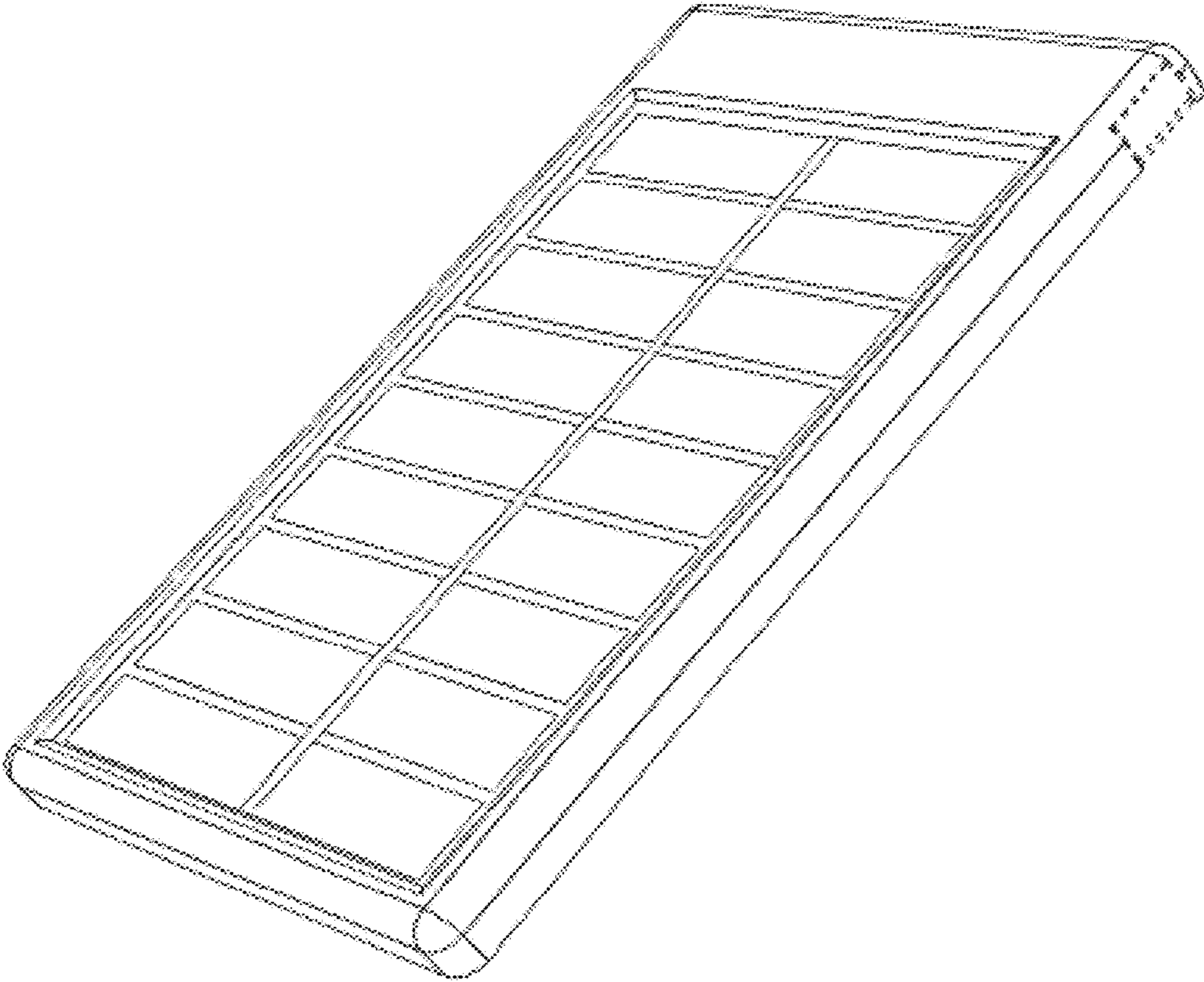


FIG. 1

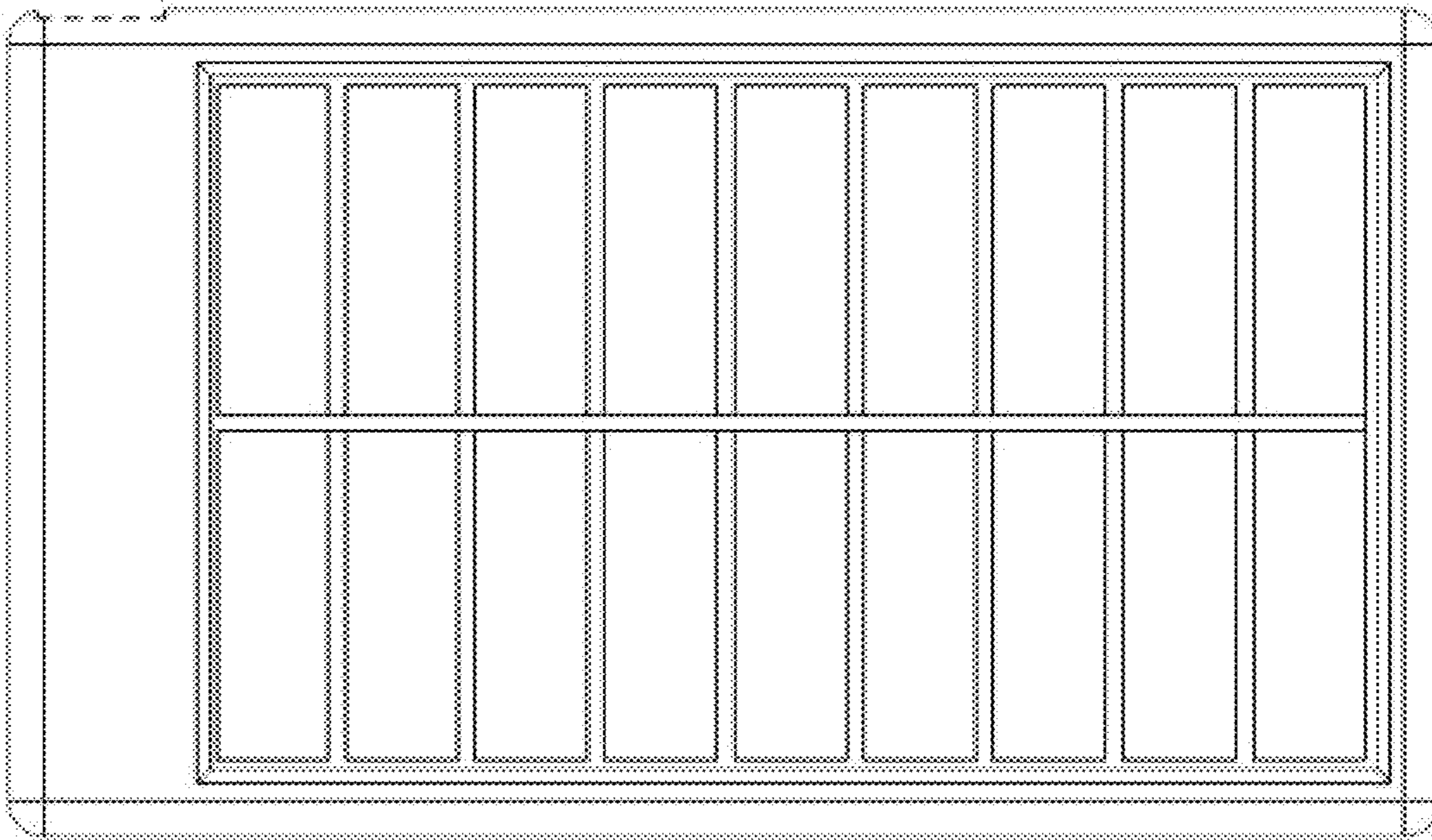


FIG. 2

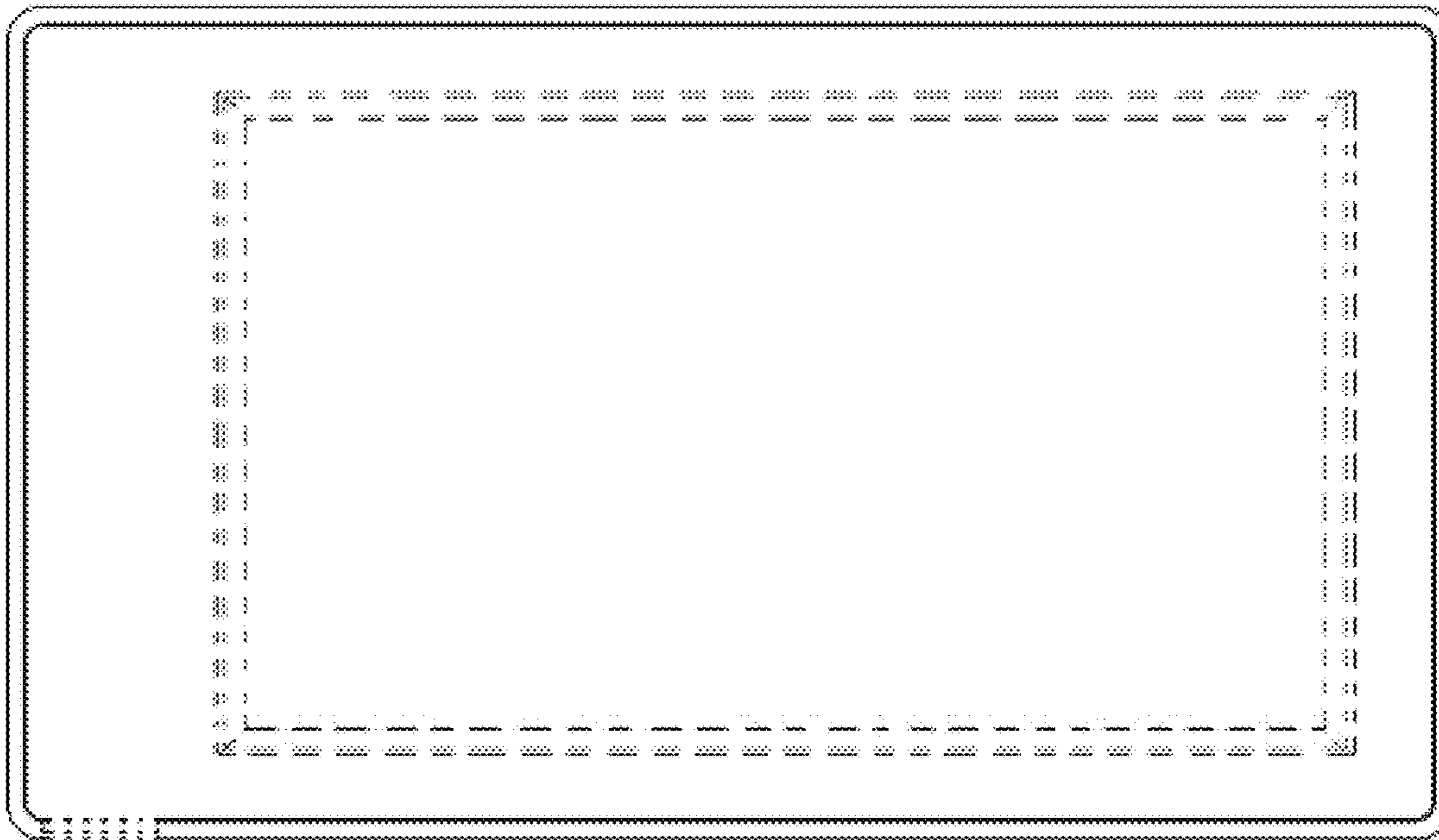


FIG. 3

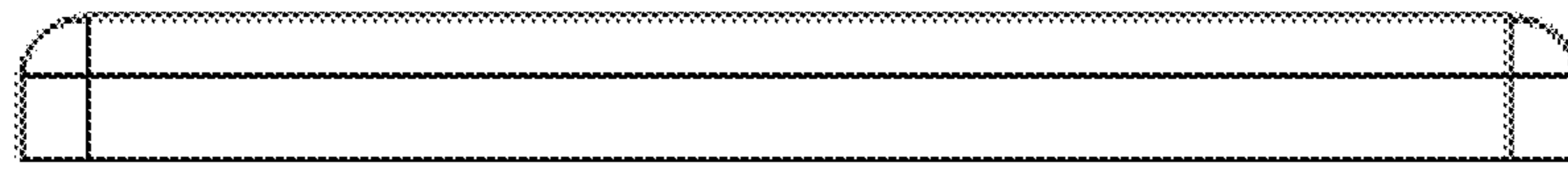


FIG. 4

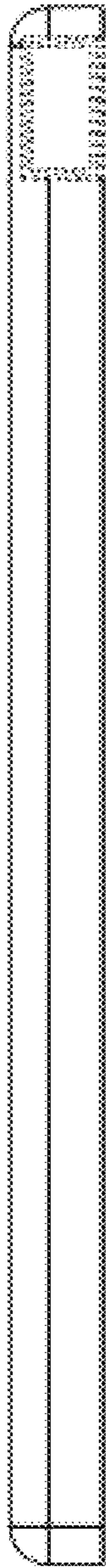


FIG. 6

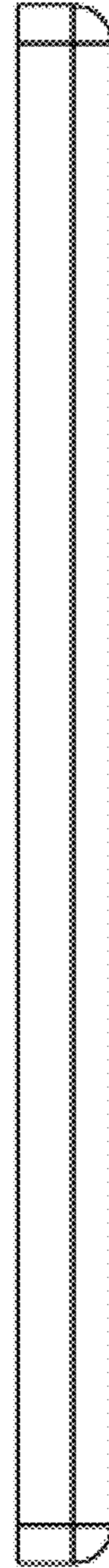


FIG. 7



FIG. 5

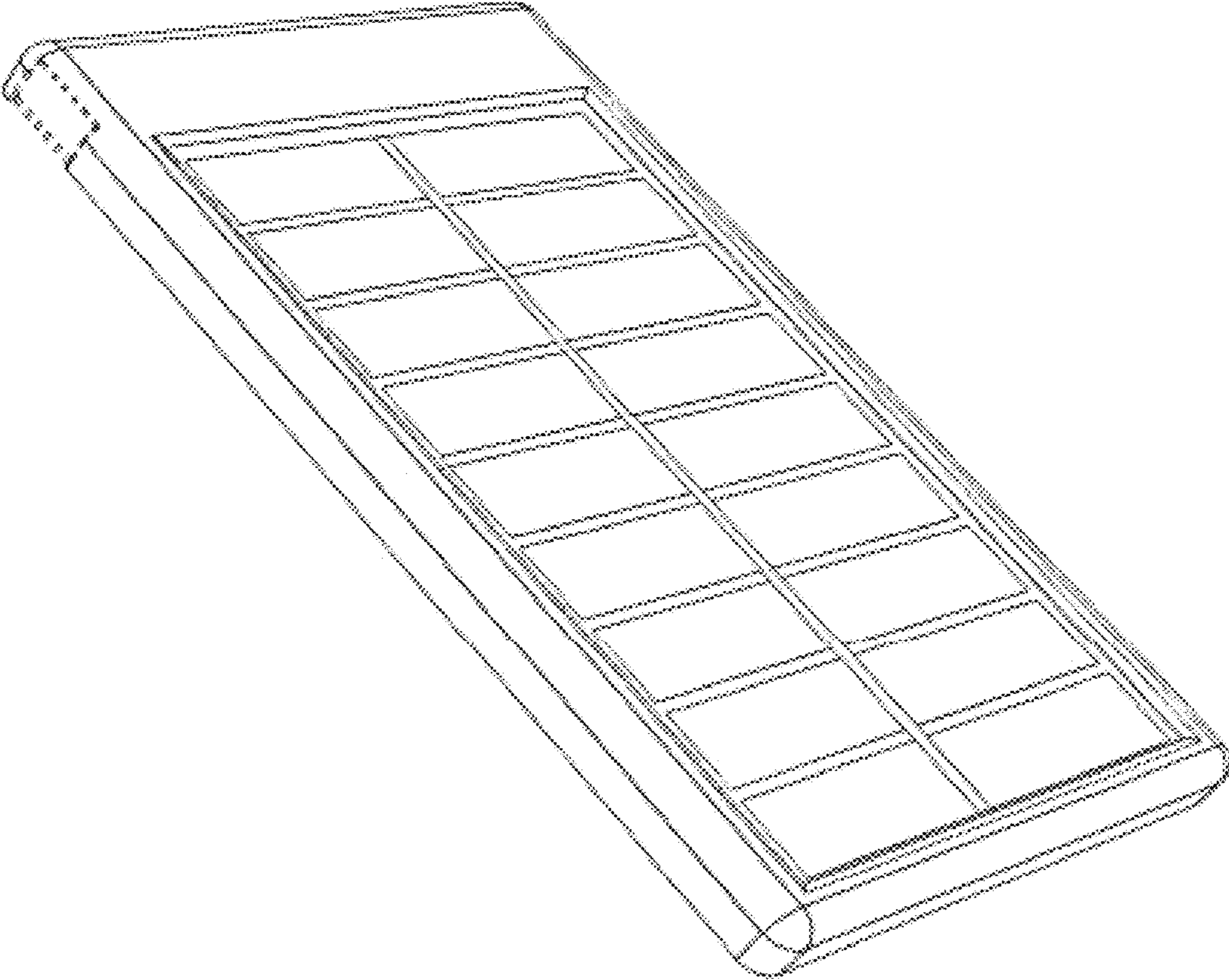


FIG. 8

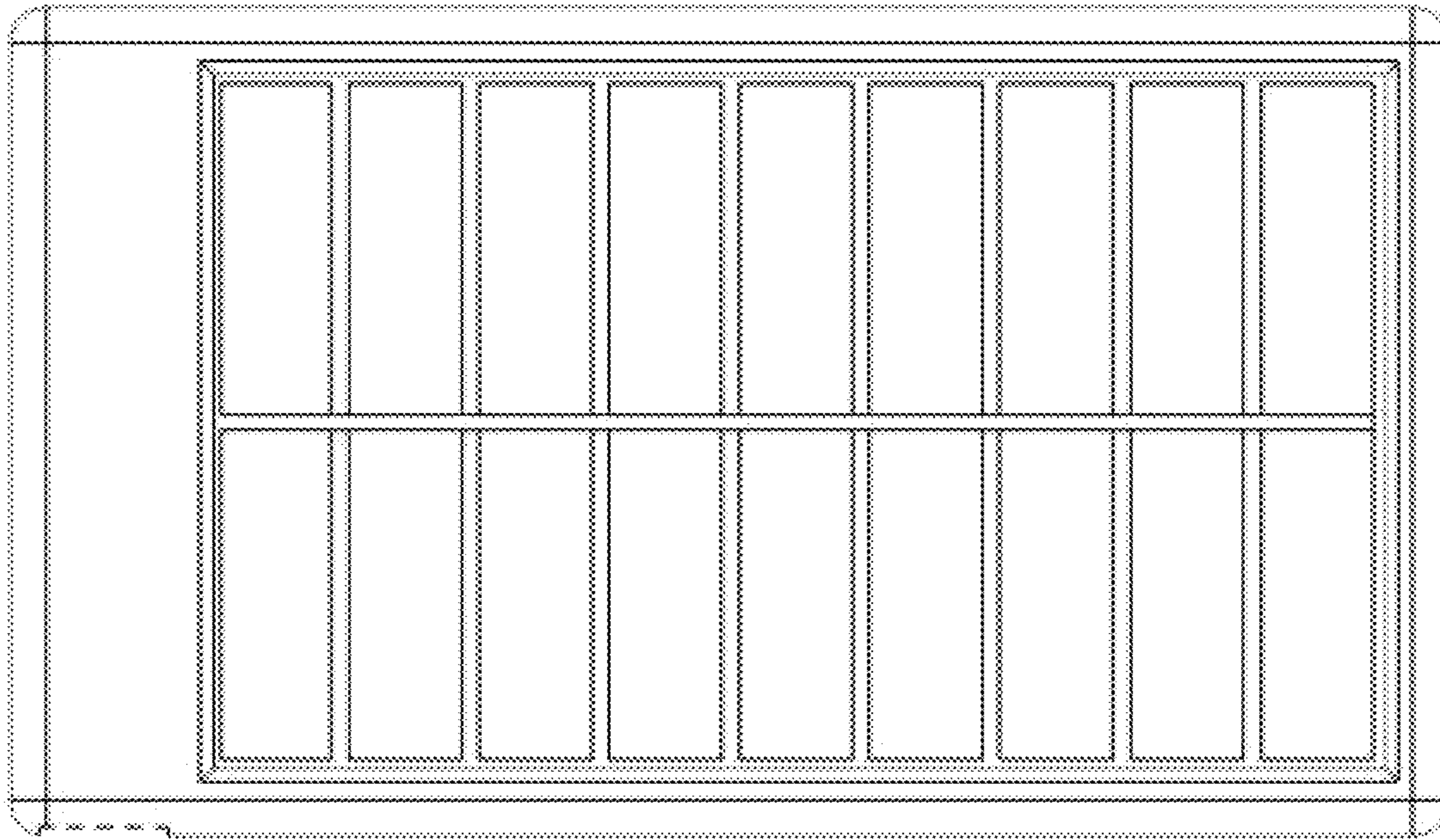


FIG. 9



FIG. 10

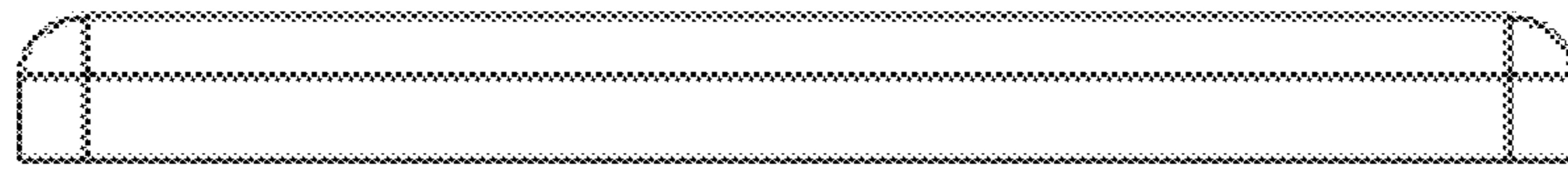


FIG. 11

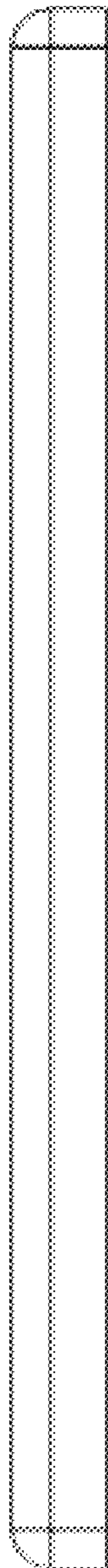


FIG. 13

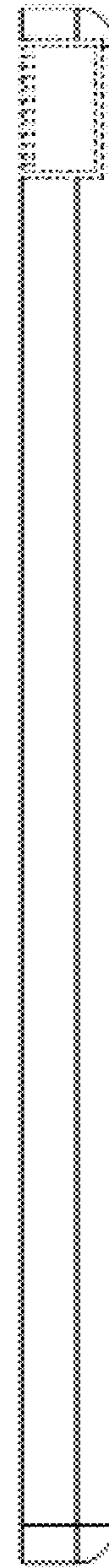


FIG. 14

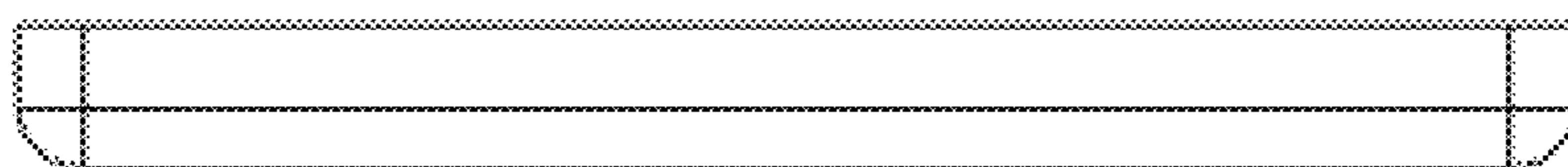


FIG. 12