



US00D810008S

(12) **United States Design Patent**
Mollison et al.

(10) **Patent No.:** **US D810,008 S**
(45) **Date of Patent:** **** Feb. 13, 2018**

- (54) **ROOFTOP SUPPORT BLOCK**
- (71) Applicant: **Roof Assured Corporation**, Breslau (CA)
- (72) Inventors: **Mark A. Mollison**, Breslau (CA); **Rick T. White**, Brampton (CA)
- (73) Assignee: **ROOF ASSURED CORPORATION**, Breslau (CA)
- (**) Term: **15 Years**
- (21) Appl. No.: **29/563,841**
- (22) Filed: **May 9, 2016**
- (51) **LOC (11) Cl.** **13-02**
- (52) **U.S. Cl.**
USPC **D13/102**; D13/155; D8/349; D8/380
- (58) **Field of Classification Search**
USPC D13/102, 155; D8/300, 313, 314, 316, D8/321, 330, 343, 349, 354, 367, 373, D8/380, 382, 397-400, 499
CPC F16M 13/00; F16L 3/00; F16L 3/12; F16L 3/08; F16L 3/127; F16L 3/13; F16L 3/24; F16L 3/2235; F16L 3/237; F16L 3/20; E01F 15/003; E01F 15/00; E04H 12/12; E04D 13/00; E04D 13/15
See application file for complete search history.

- 7,607,619 B2 * 10/2009 Smart F16L 3/04 248/68.1
- 7,661,240 B2 * 2/2010 Sargent F16L 3/137 248/146
- 7,731,131 B2 * 6/2010 Trueb E04D 13/00 248/49
- 7,866,093 B2 * 1/2011 Krovats E04D 13/12 52/24
- 8,312,692 B2 * 11/2012 Krovats E04D 13/12 52/41
- 8,356,778 B2 * 1/2013 Birli F16L 3/127 248/65
- D692,393 S * 10/2013 Hillman D13/102
- D738,711 S * 9/2015 Tally D8/380
- D749,935 S * 2/2016 Rook D8/349
- D758,834 S * 6/2016 Tally D8/380
- D767,796 S * 9/2016 Kinsman D25/133

(Continued)

OTHER PUBLICATIONS

Drawing of a rubber support block in public use by the applicant since 2012.

Primary Examiner — Mark Goodwin
(74) *Attorney, Agent, or Firm* — Bereskin & Parr LLP

(57) **CLAIM**

The ornamental Design for a rooftop support block, as shown and described.

DESCRIPTION

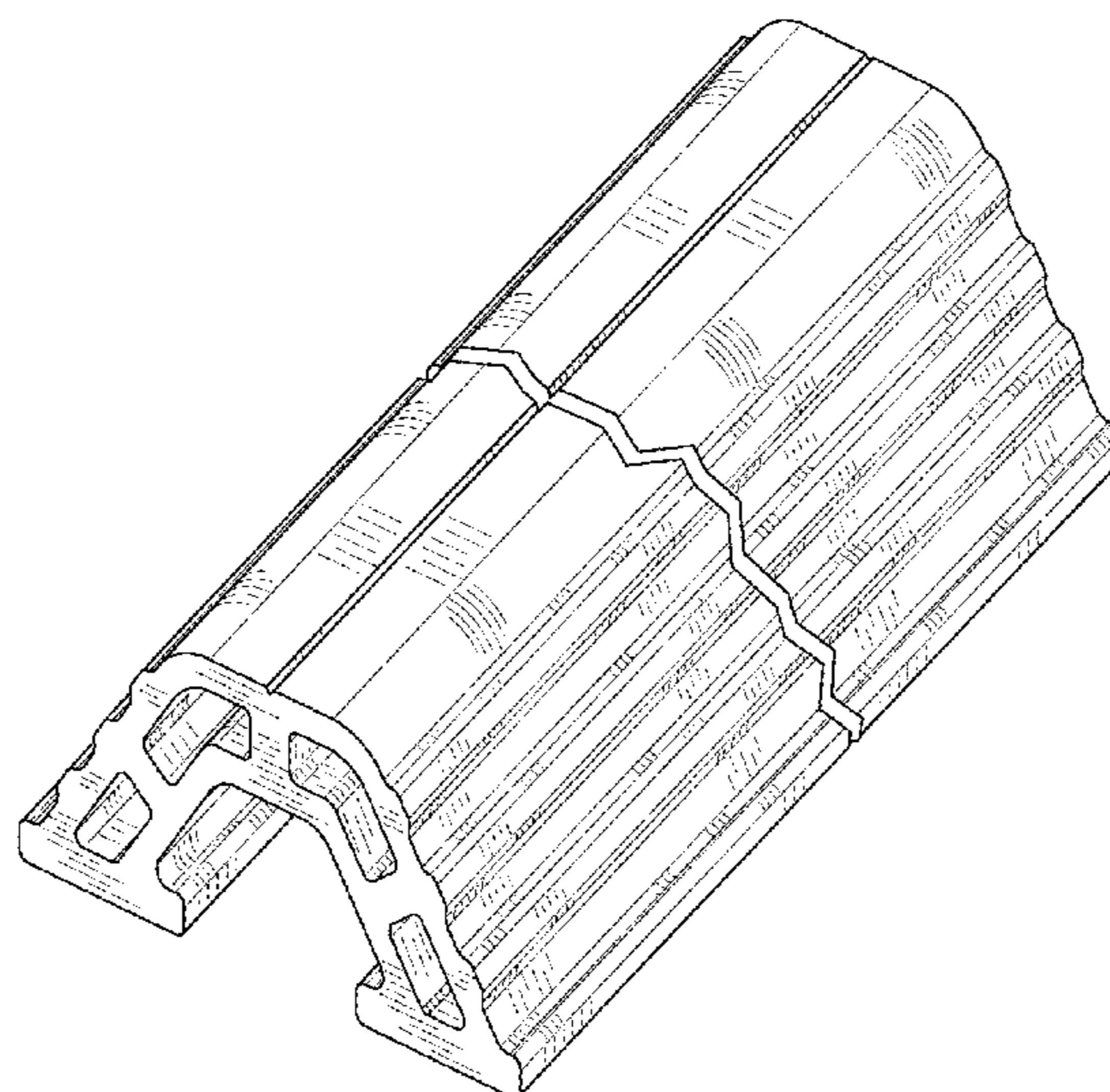
FIG. 1 is a top perspective view of a rooftop support block made in accordance with the subject design, FIGS. 1-3, 5 and 6 being shown broken apart to indicate indeterminate length;
FIG. 2 is a bottom perspective view thereof;
FIG. 3 is a side elevational view thereof;
FIG. 4 is an end elevational view thereof;
FIG. 5 is a top plan view thereof; and,
FIG. 6 is a bottom plan view thereof.

1 Claim, 3 Drawing Sheets

(56) **References Cited**

U.S. PATENT DOCUMENTS

- D242,619 S * 12/1976 Bake D23/250
- 5,102,073 A * 4/1992 Lestenkof, Jr. F16L 3/227 138/106
- D399,727 S * 10/1998 Richter D8/380
- 6,592,093 B2 * 7/2003 Valentz F16L 3/00 248/346.01
- 6,679,461 B1 * 1/2004 Hawkins F16L 3/00 248/346.01
- D521,851 S * 5/2006 Smart D8/354
- D564,958 S * 3/2008 Almy D13/102



(56)

References Cited

U.S. PATENT DOCUMENTS

9,528,271	B2 *	12/2016	Rook	E04H 12/12
2006/0091265	A1 *	5/2006	Smart	F16L 3/02
					248/49
2007/0045482	A1 *	3/2007	Smart	F16L 3/04
					248/68.1
2007/0057125	A1 *	3/2007	Hawkins	F16L 3/00
					248/74.2
2007/0120036	A1 *	5/2007	Olle	F16L 3/24
					248/615
2010/0155545	A1 *	6/2010	Birli	F16L 3/127
					248/70

* cited by examiner

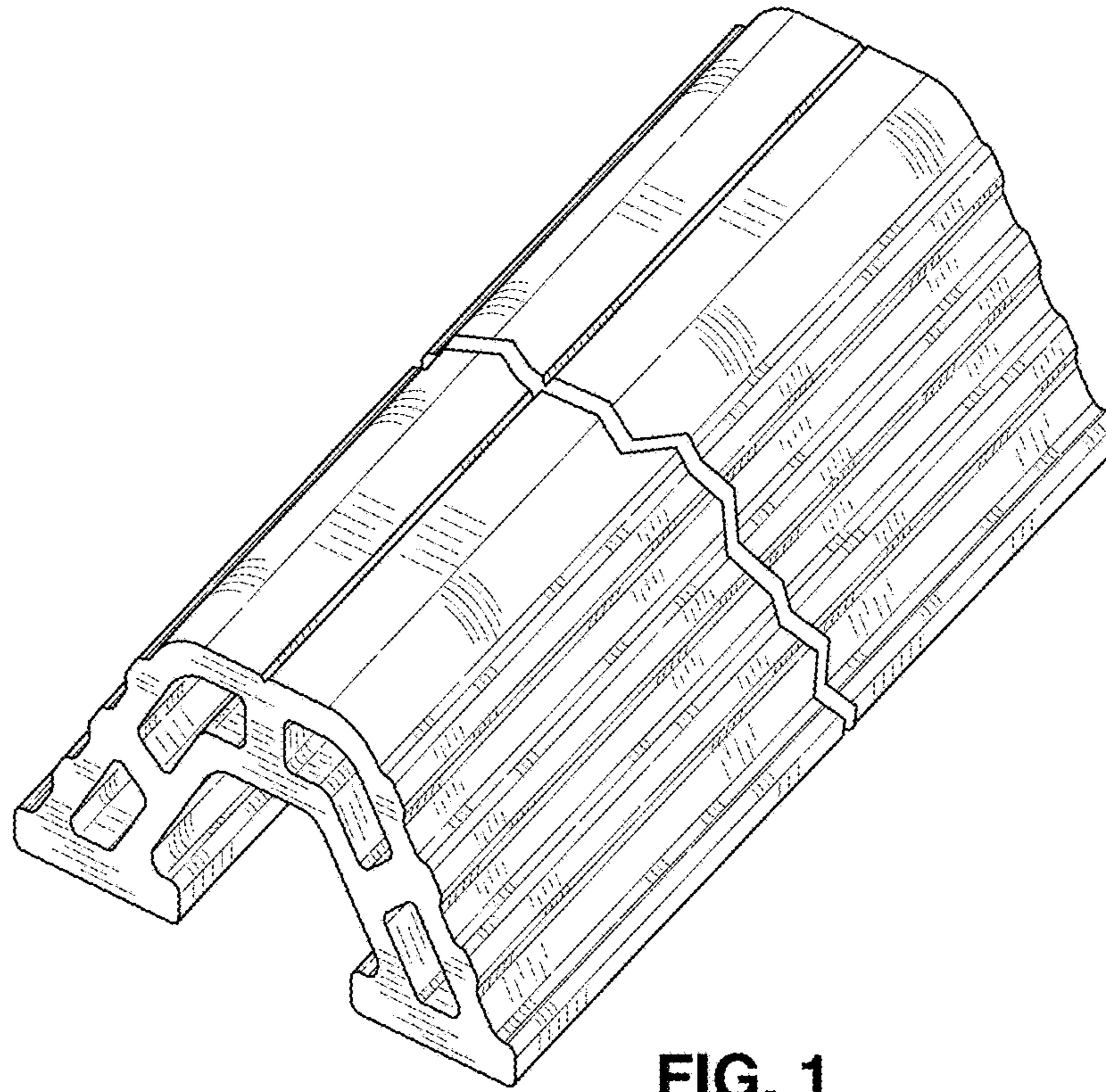


FIG. 1

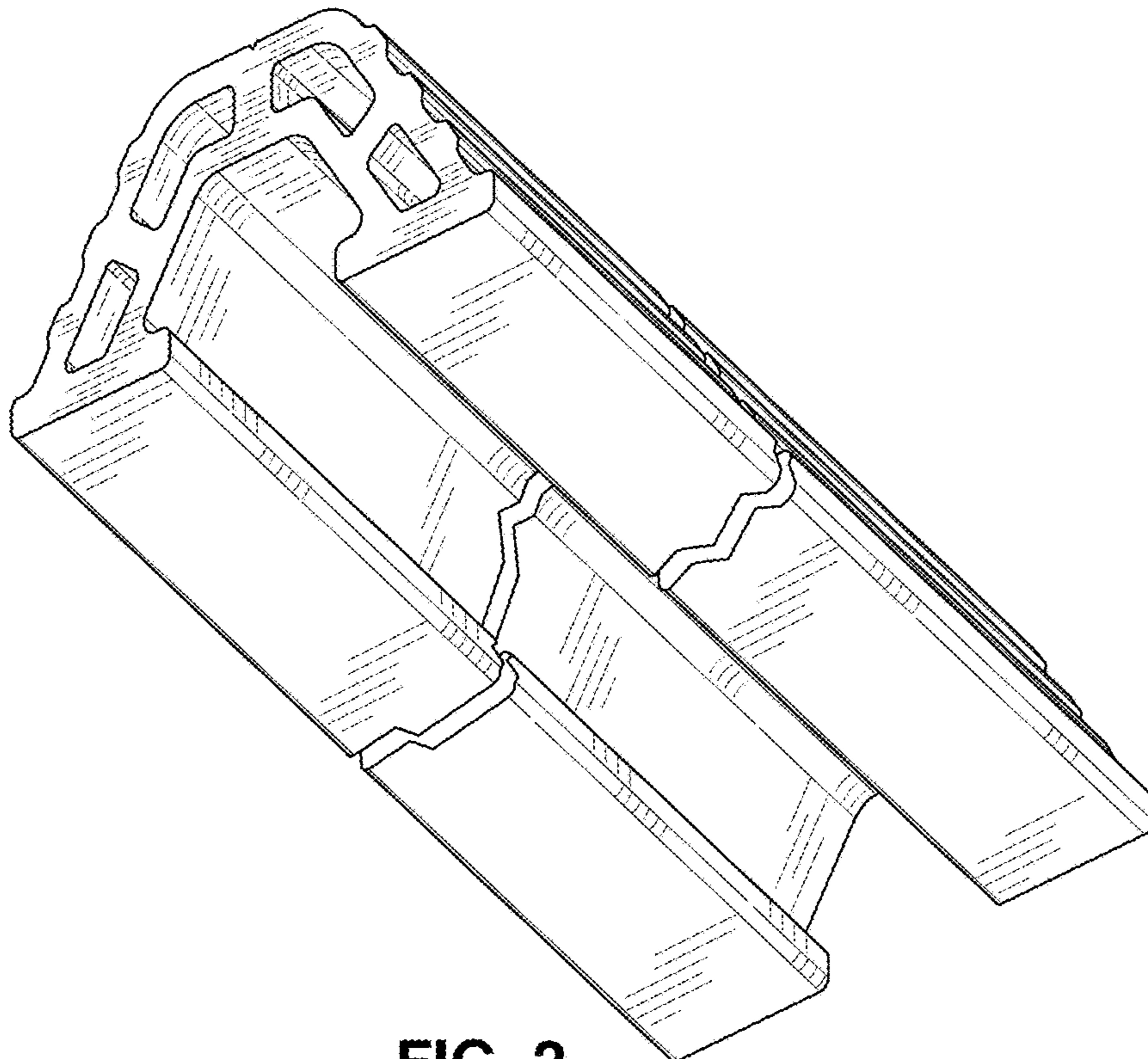


FIG. 2

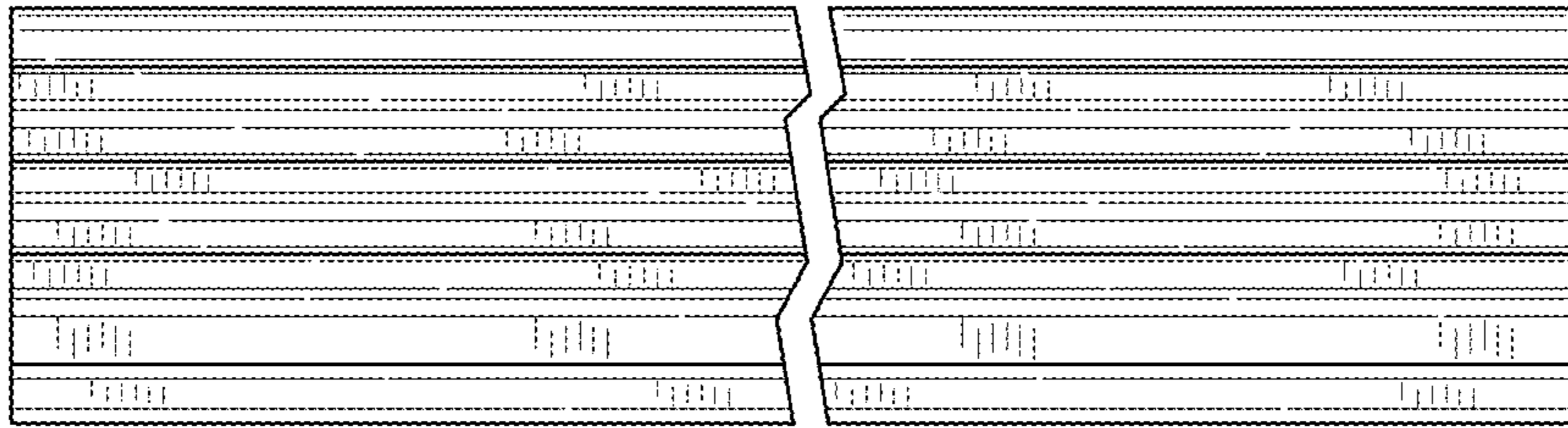


FIG. 3

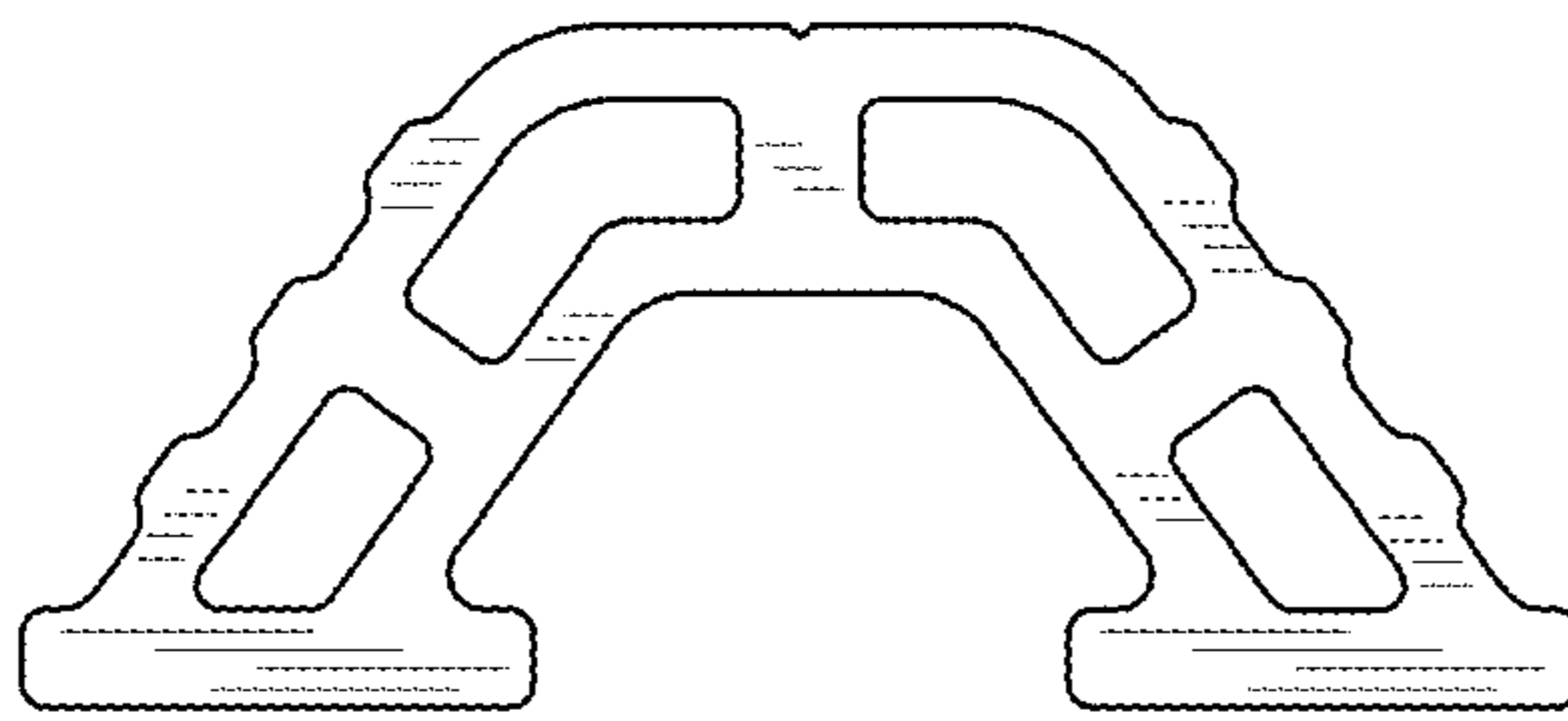


FIG. 4

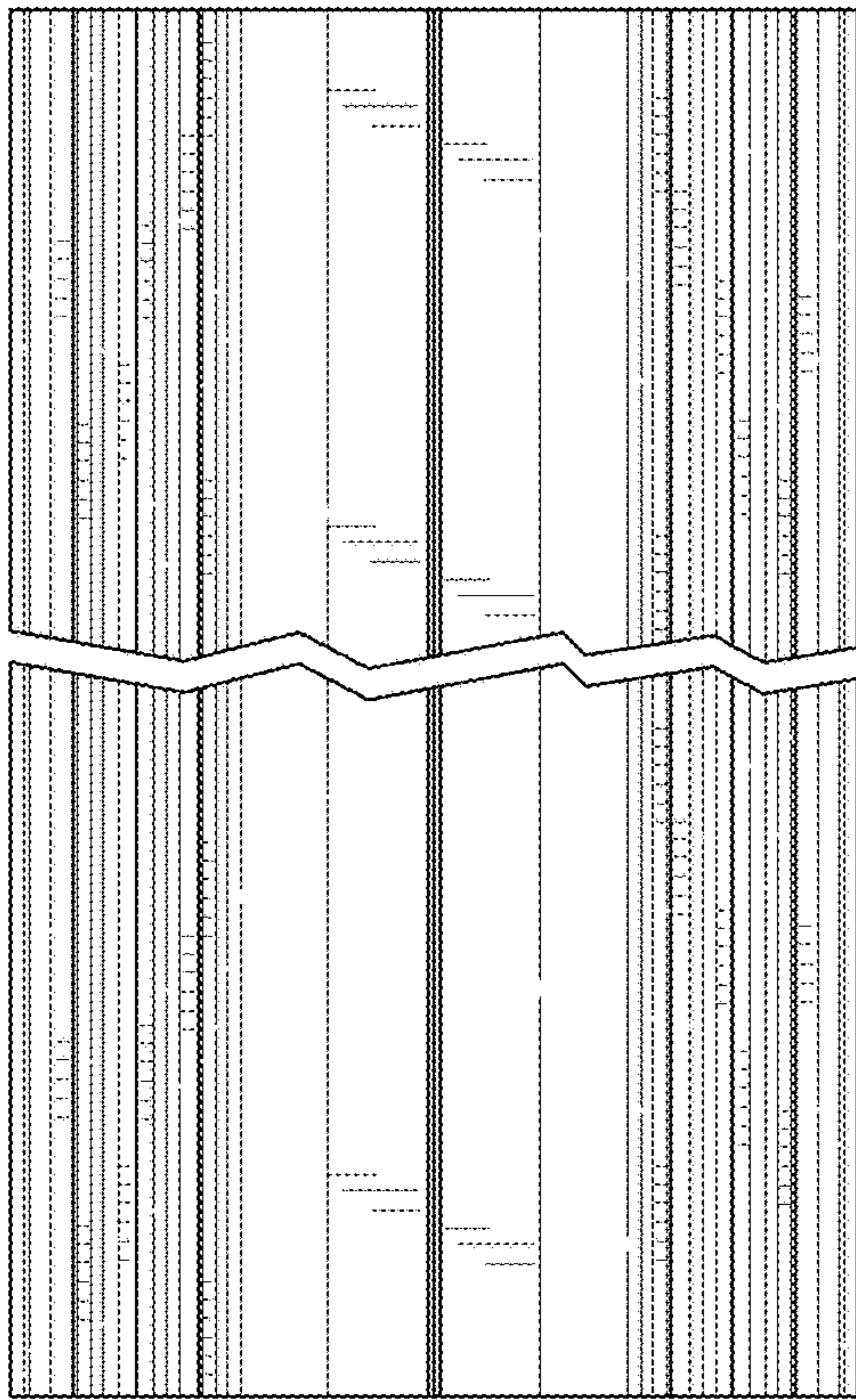


FIG. 5

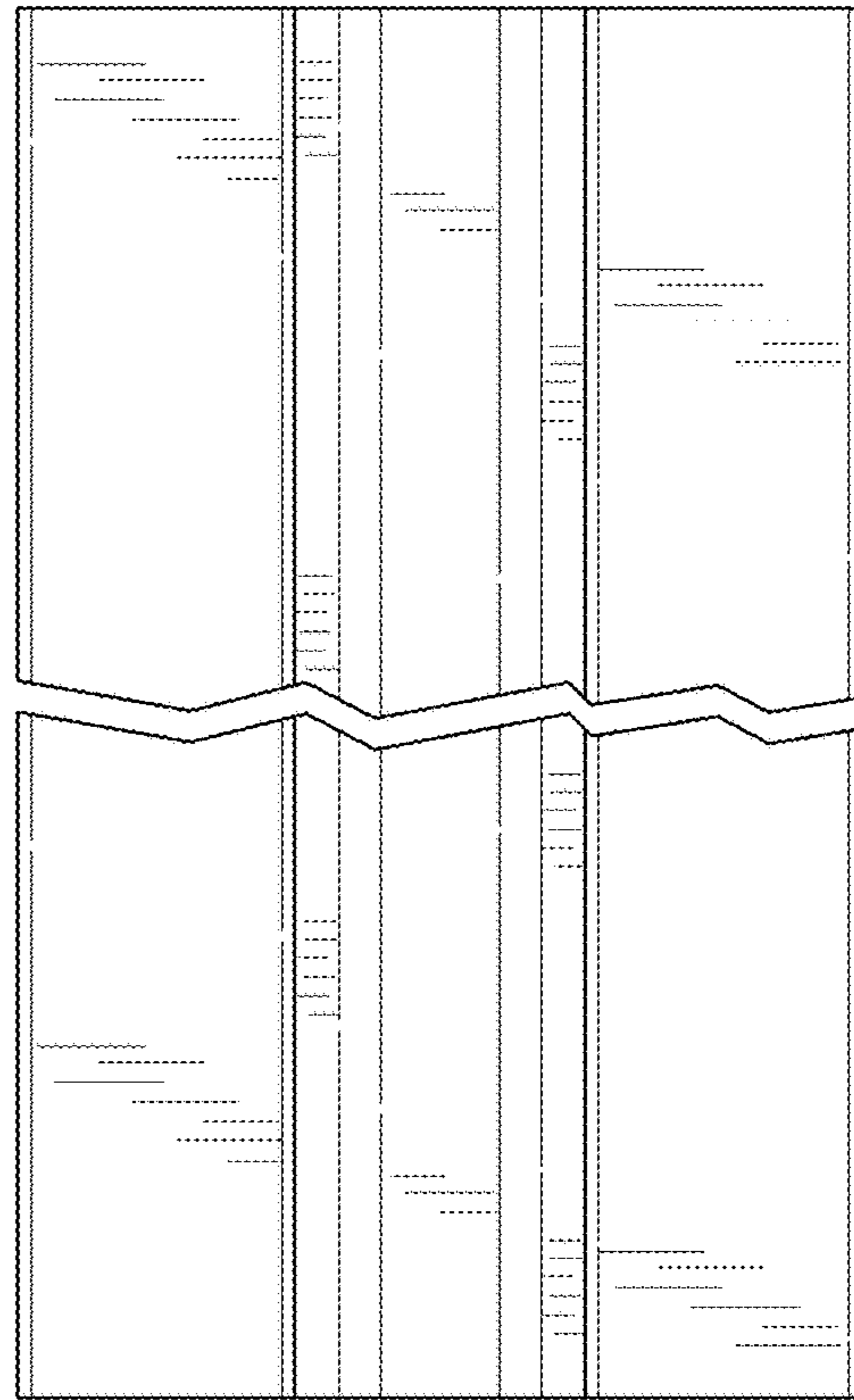


FIG. 6