

US00D809999S

(12) **United States Design Patent** (10) **Patent No.:** **US D809,999 S**
Mckee (45) **Date of Patent:** **** Feb. 13, 2018**

(54) **IN VEHICLE ARM REST**
(71) Applicant: **Stephen Mckee**, South San Francisco, CA (US)
(72) Inventor: **Stephen Mckee**, South San Francisco, CA (US)

D468,451 S * 1/2003 Kowalczyk D25/119
D476,945 S * 7/2003 Burch D12/421
D499,690 S * 12/2004 Roth D12/421
6,840,566 B2 1/2005 Bruton
D583,299 S * 12/2008 Manson D12/421
D598,673 S * 8/2009 Peters D6/675
D758,952 S * 6/2016 Erhel D12/421
2014/0132046 A1 5/2014 Driscoll
2017/0258233 A1* 9/2017 Chang A47C 7/546

(**) Term: **15 Years**

FOREIGN PATENT DOCUMENTS

(21) Appl. No.: **29/578,920**
(22) Filed: **Sep. 26, 2016**
(51) **LOC (11) Cl.** **12-16**
(52) **U.S. Cl.**
USPC **D12/421**
(58) **Field of Classification Search**
USPC D12/421, 415, 416, 419
CPC B60N 2/46
See application file for complete search history.

EP 1020321 9/1999

* cited by examiner

Primary Examiner — Katrina A Betton

(57) **CLAIM**

The ornamental design for an in vehicle arm rest, as shown and described.

(56) **References Cited**

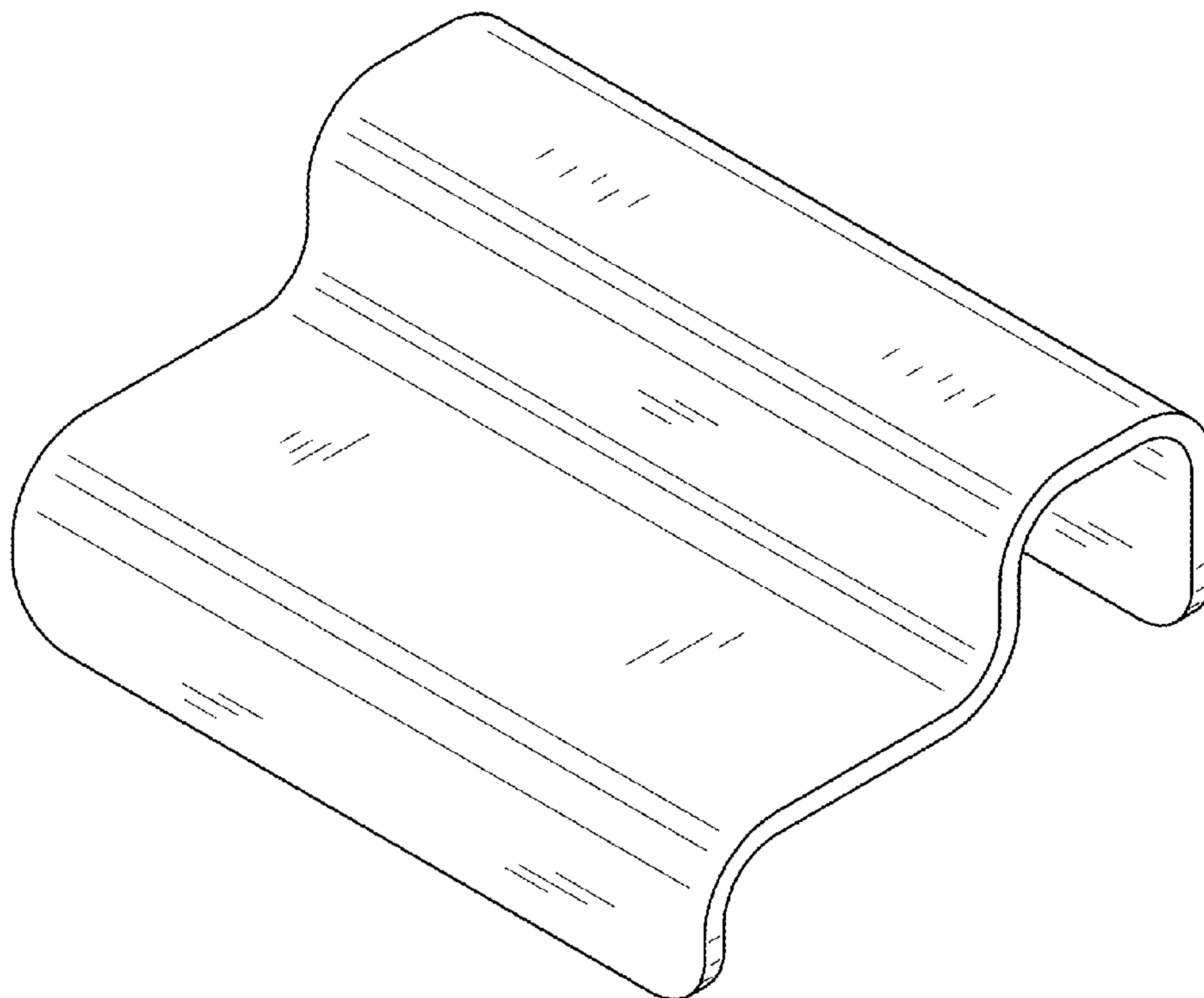
DESCRIPTION

U.S. PATENT DOCUMENTS

1,756,694 A * 4/1930 Loehr B60N 2/466
248/118
2,068,009 A 1/1937 Doose
4,453,760 A * 6/1984 Hira B60N 2/466
296/153
4,810,026 A 3/1989 Doane
4,890,878 A 1/1990 Harary et al.
5,320,401 A 6/1994 Ott
D369,341 S * 4/1996 Davidson D12/421
D390,530 S 2/1998 Robinson

FIG. 1 is a front view of an in vehicle arm rest showing my new design, a rear view being a mirror image thereof; FIG. 2 is a left side view of the in vehicle arm rest; FIG. 3 is a right side view of the in vehicle arm rest; FIG. 4 is a top view of the in vehicle arm rest; FIG. 5 is a bottom view of the in vehicle arm rest; and, FIG. 6 is a top front side perspective view of the in vehicle arm rest.

1 Claim, 3 Drawing Sheets



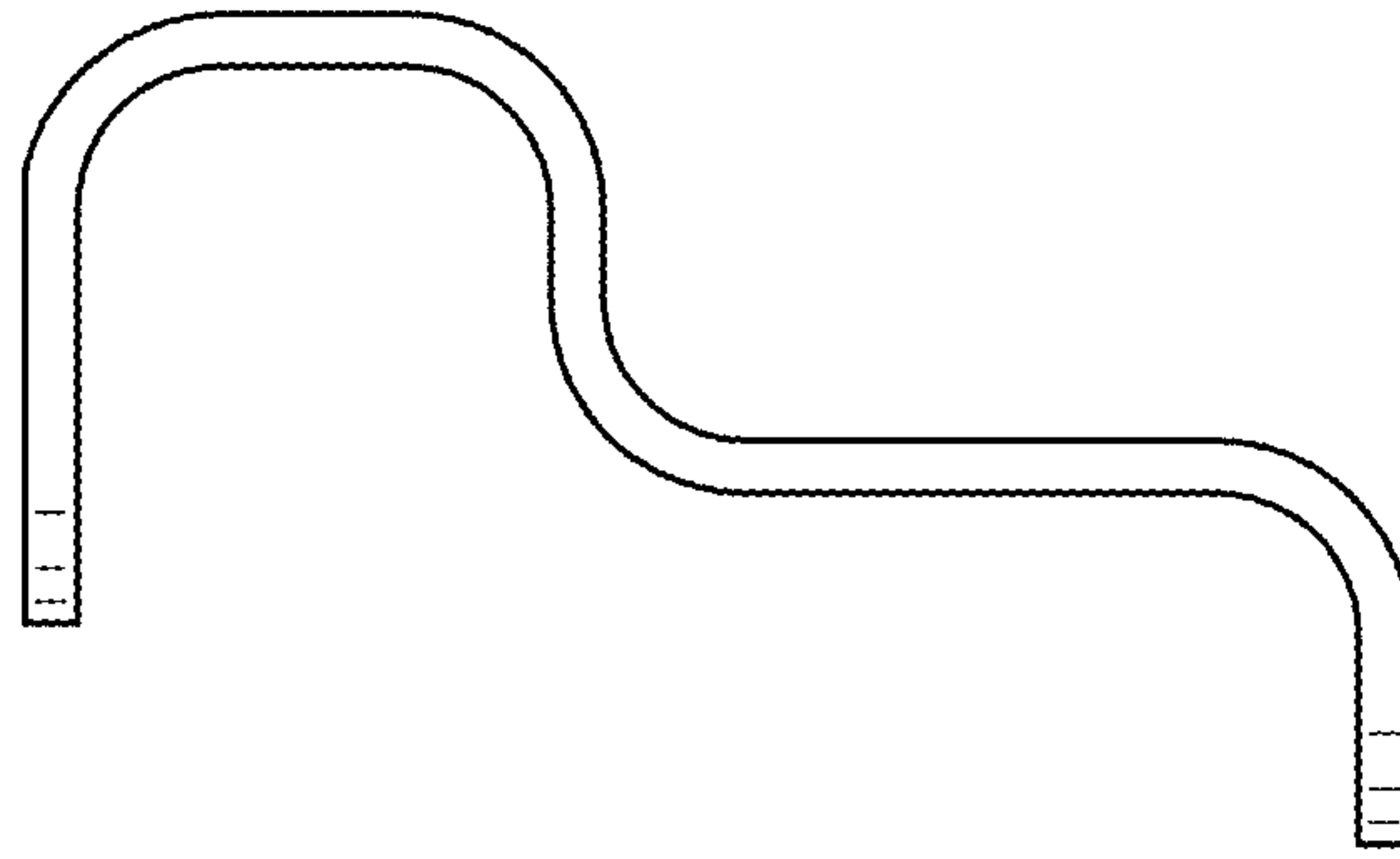


FIG. 1

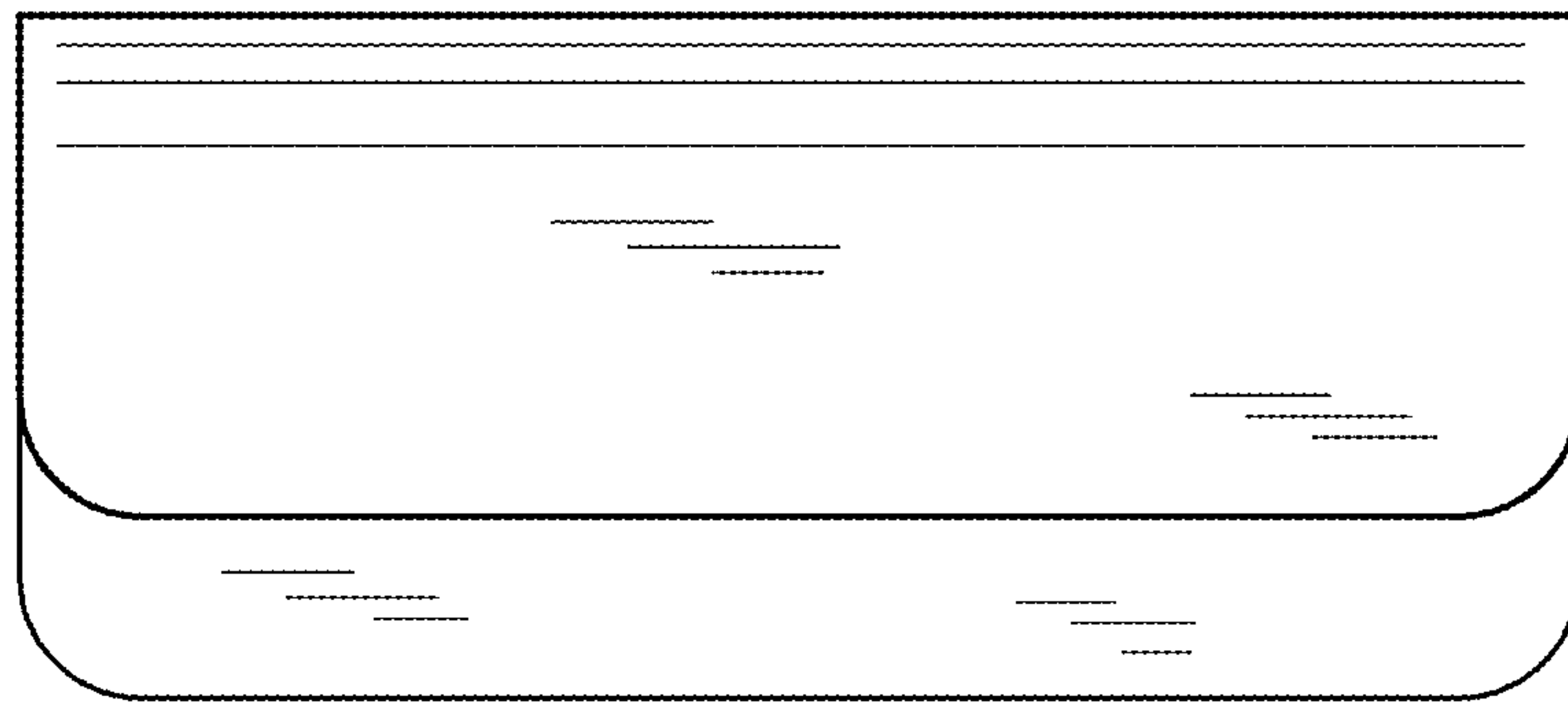


FIG. 2

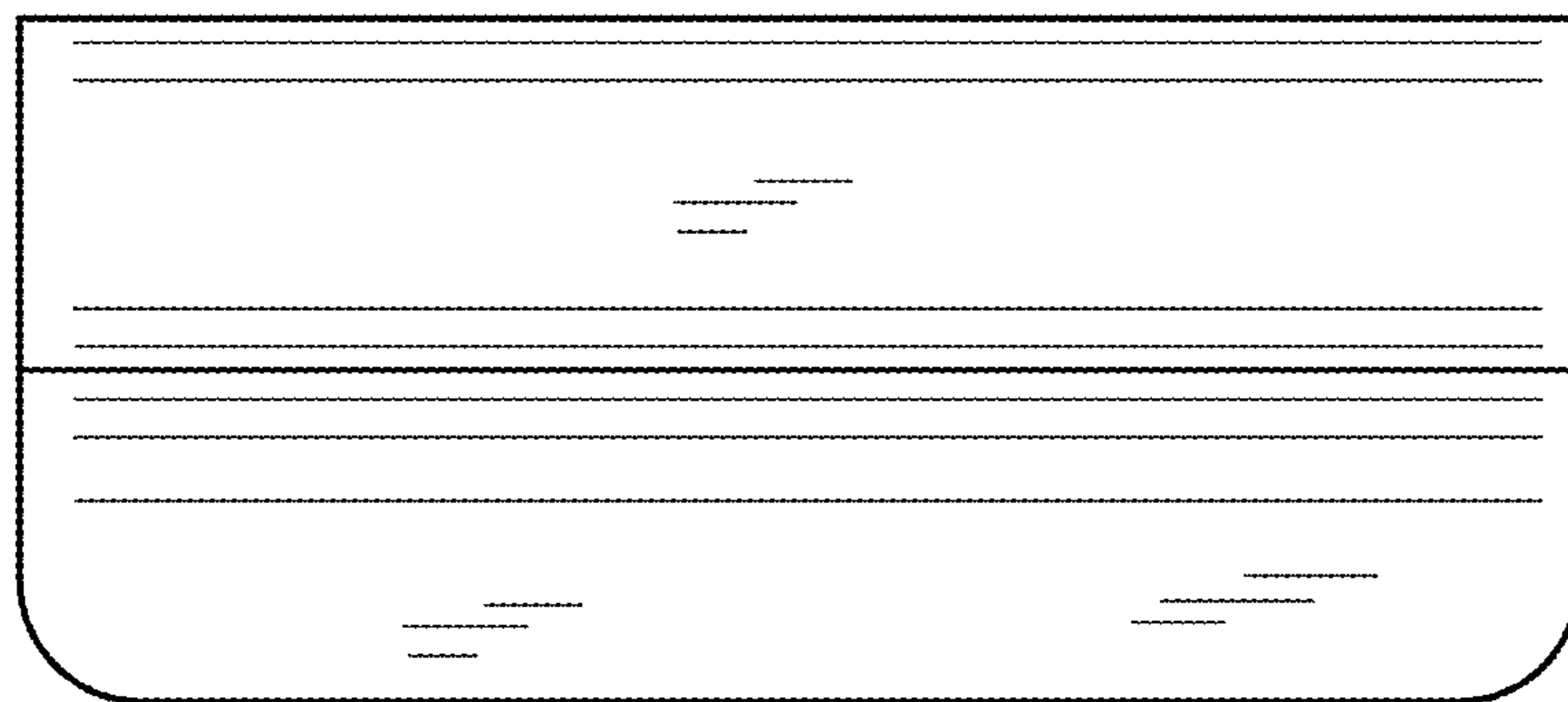


FIG. 3

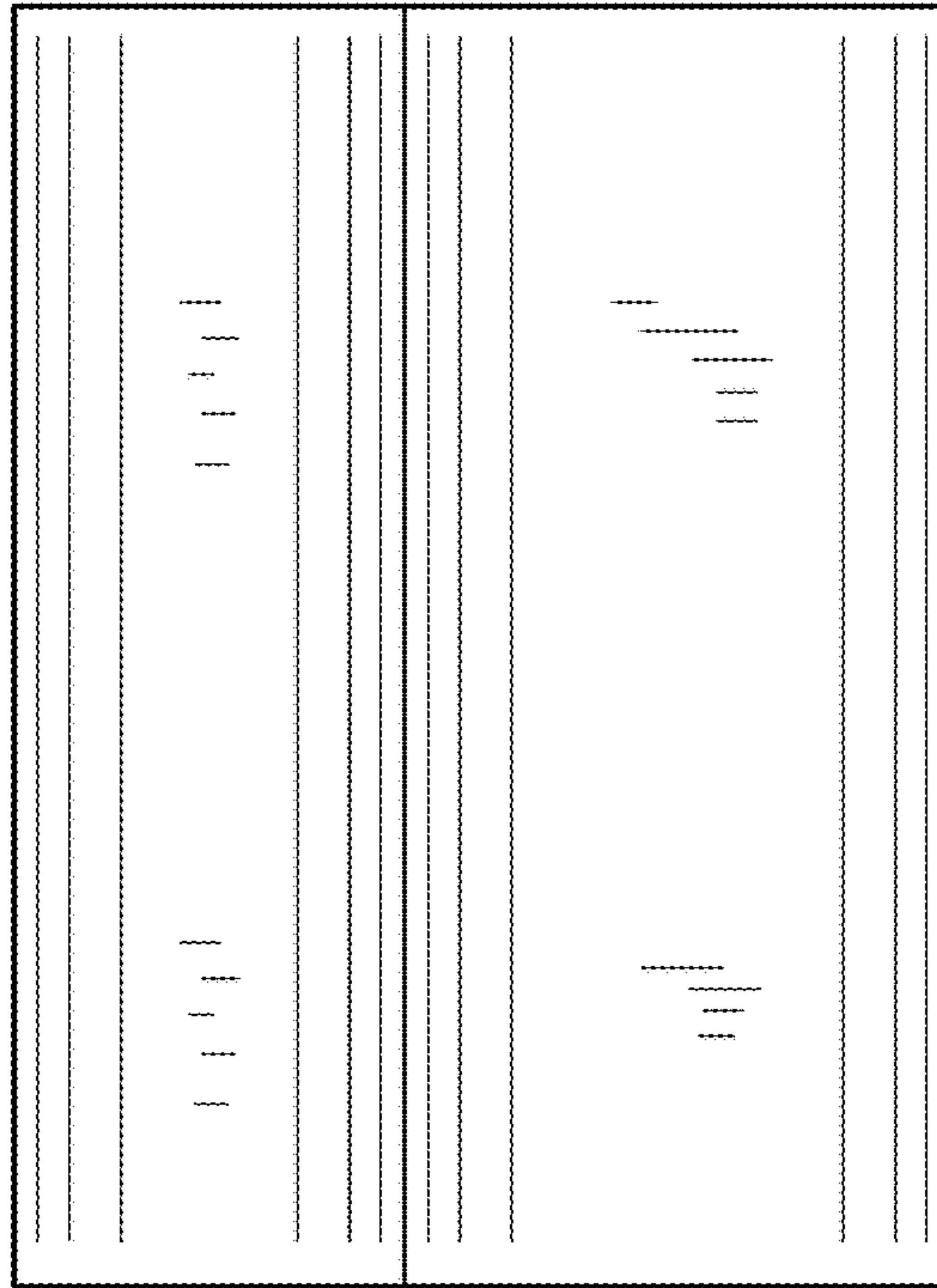


FIG. 4

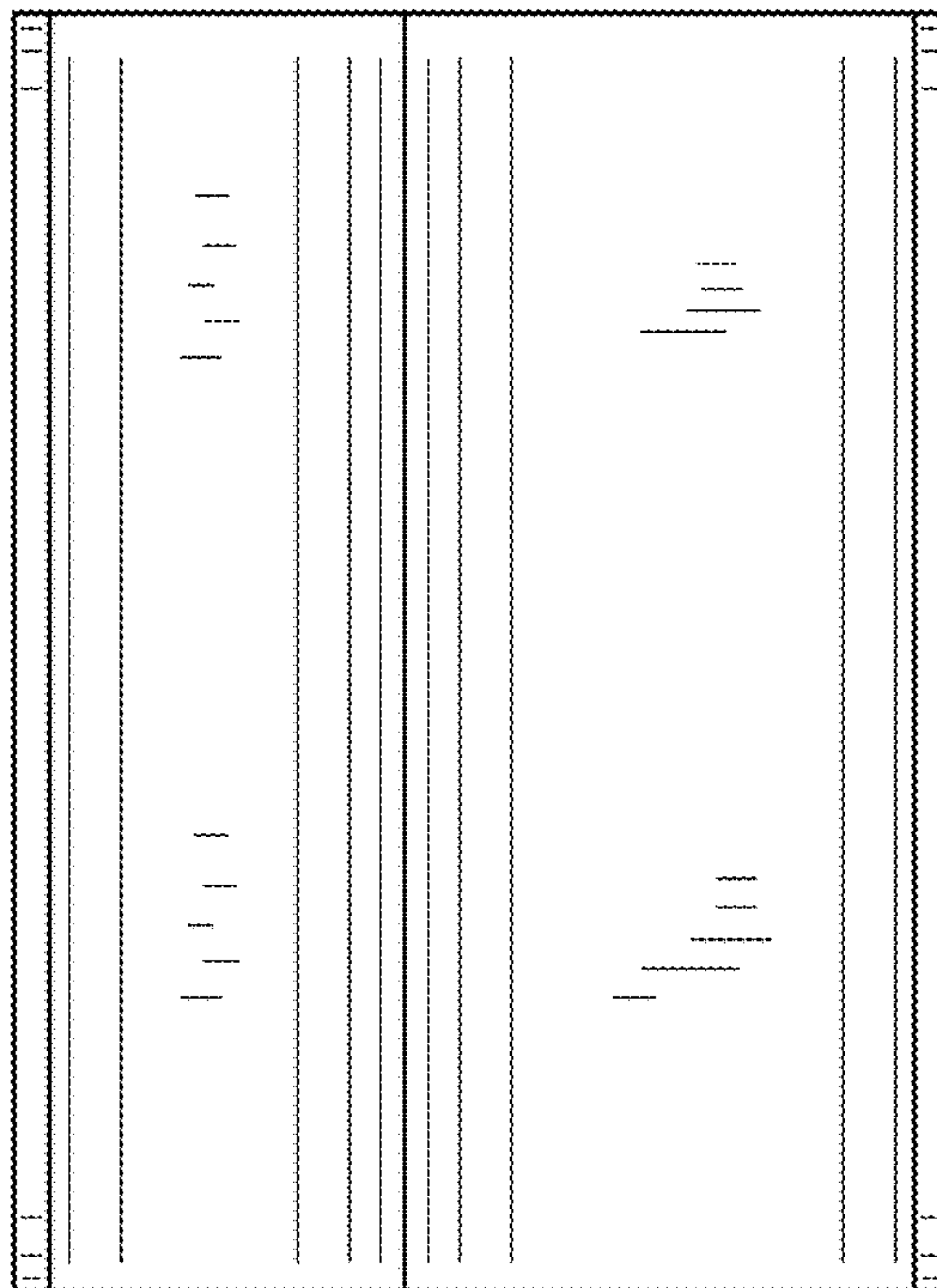


FIG. 5

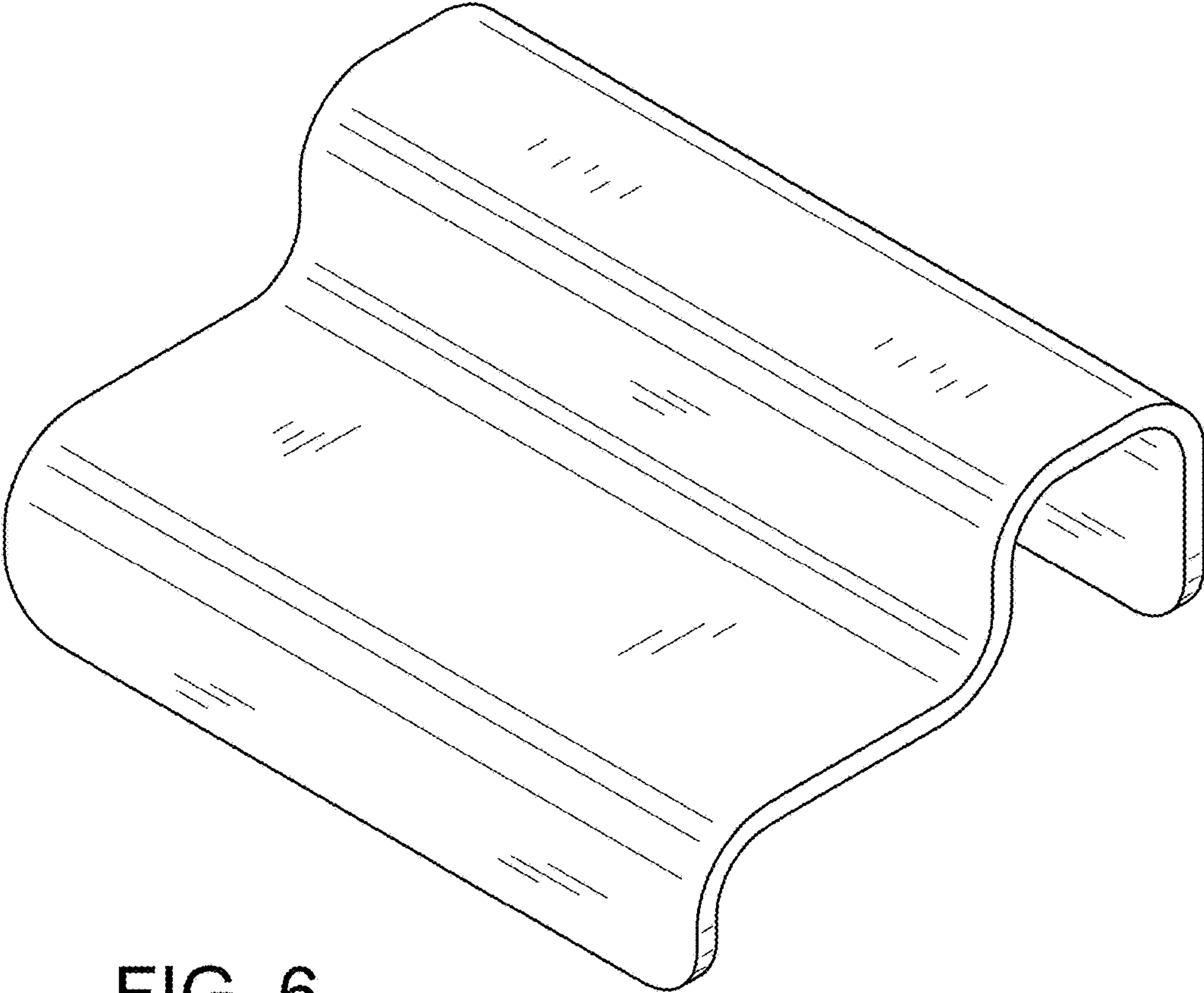


FIG. 6