



US00D809997S

(12) **United States Design Patent**  
**Conner**

(10) **Patent No.:** **US D809,997 S**

(45) **Date of Patent:** **\*\* Feb. 13, 2018**

(54) **ROOF RACK**

(71) Applicant: **FURION FABRICATION, LLC,**  
Beaverton, OR (US)

(72) Inventor: **Jeffrey R. Conner,** Beaverton, OR  
(US)

(73) Assignee: **Furion Fabrication LLC,** Beaverton,  
OR (US)

(\*\*) Term: **15 Years**

(21) Appl. No.: **29/595,140**

(22) Filed: **Feb. 24, 2017**

(51) **LOC (11) Cl.** ..... **12-16**

(52) **U.S. Cl.**  
USPC ..... **D12/412**

(58) **Field of Classification Search**  
USPC ..... D12/412, 406, 413, 414, 414.1; D6/552;  
D3/304-306  
CPC ..... B60R 9/04; B60R 9/045; B60R 9/048  
See application file for complete search history.

(56) **References Cited**

**U.S. PATENT DOCUMENTS**

D547,752 S \* 7/2007 Lee ..... D14/227  
D624,005 S \* 9/2010 Winner ..... D12/412

D765,577 S \* 9/2016 Kmita ..... D12/412  
D772,783 S \* 11/2016 Schleef ..... D12/412  
D793,946 S \* 8/2017 Badillo ..... D12/412  
2005/0092796 A1 \* 5/2005 Essig ..... B60R 9/00  
224/321  
2005/0095102 A1 \* 5/2005 Watson ..... B60R 9/042  
414/462

\* cited by examiner

*Primary Examiner* — Katrina A Betton

(74) *Attorney, Agent, or Firm* — Schwabe Williamson &  
Wyatt, P.C.

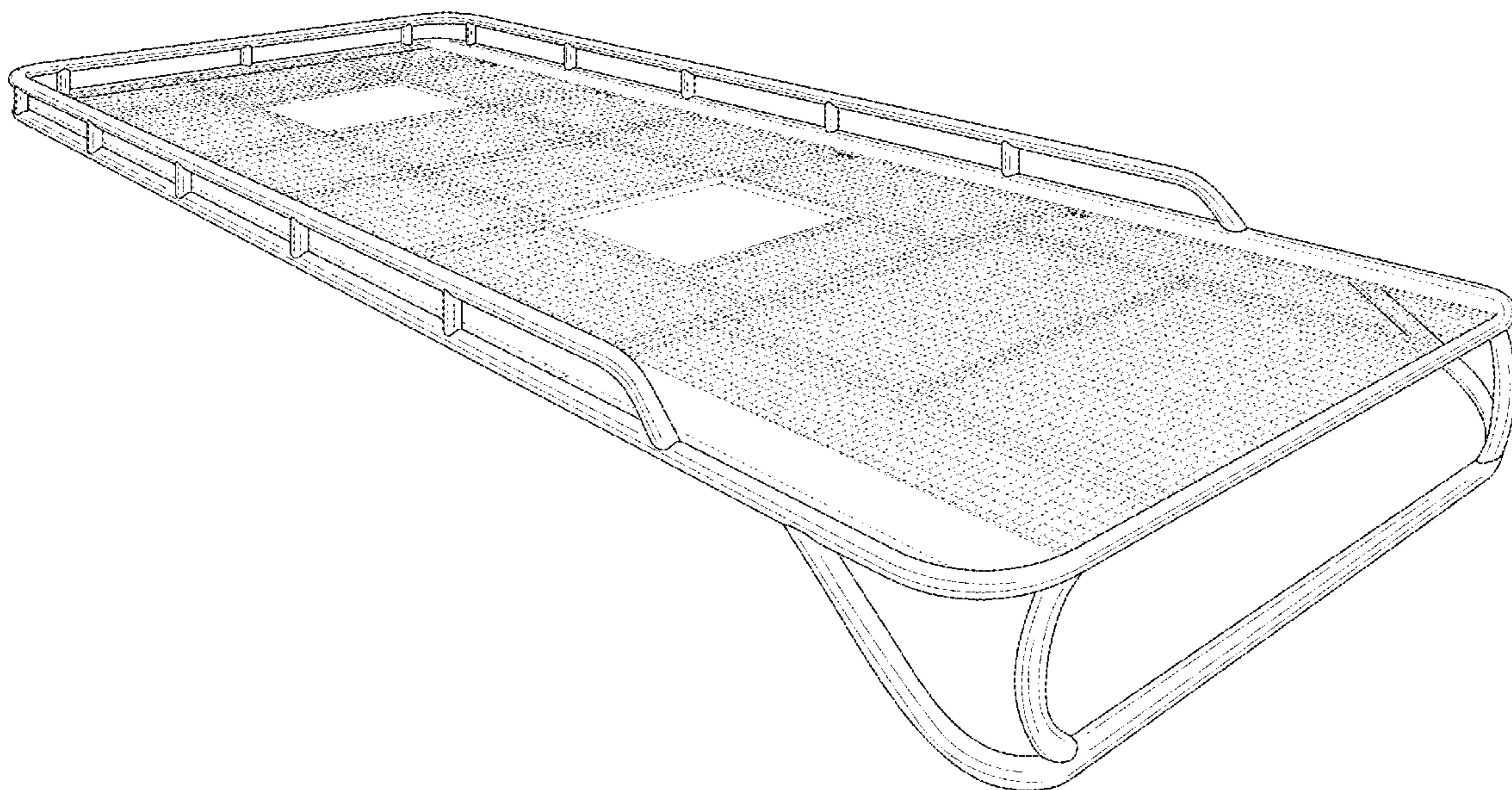
(57) **CLAIM**

I claim the ornamental design for a roof rack, as shown and  
described.

**DESCRIPTION**

FIG. 1 is a perspective view of a roof rack, showing my new  
design;  
FIG. 2 is a front view thereof;  
FIG. 3 is a back view thereof;  
FIG. 4 is a left side view thereof;  
FIG. 5 is a right side view thereof;  
FIG. 6 is a top view thereof;  
FIG. 7 is a bottom view thereof; and,  
FIG. 8 is an in-use image of the roof rack on a van.  
The dashed line showings, including those of the central  
platform, form no part of the claimed design.

**1 Claim, 6 Drawing Sheets**



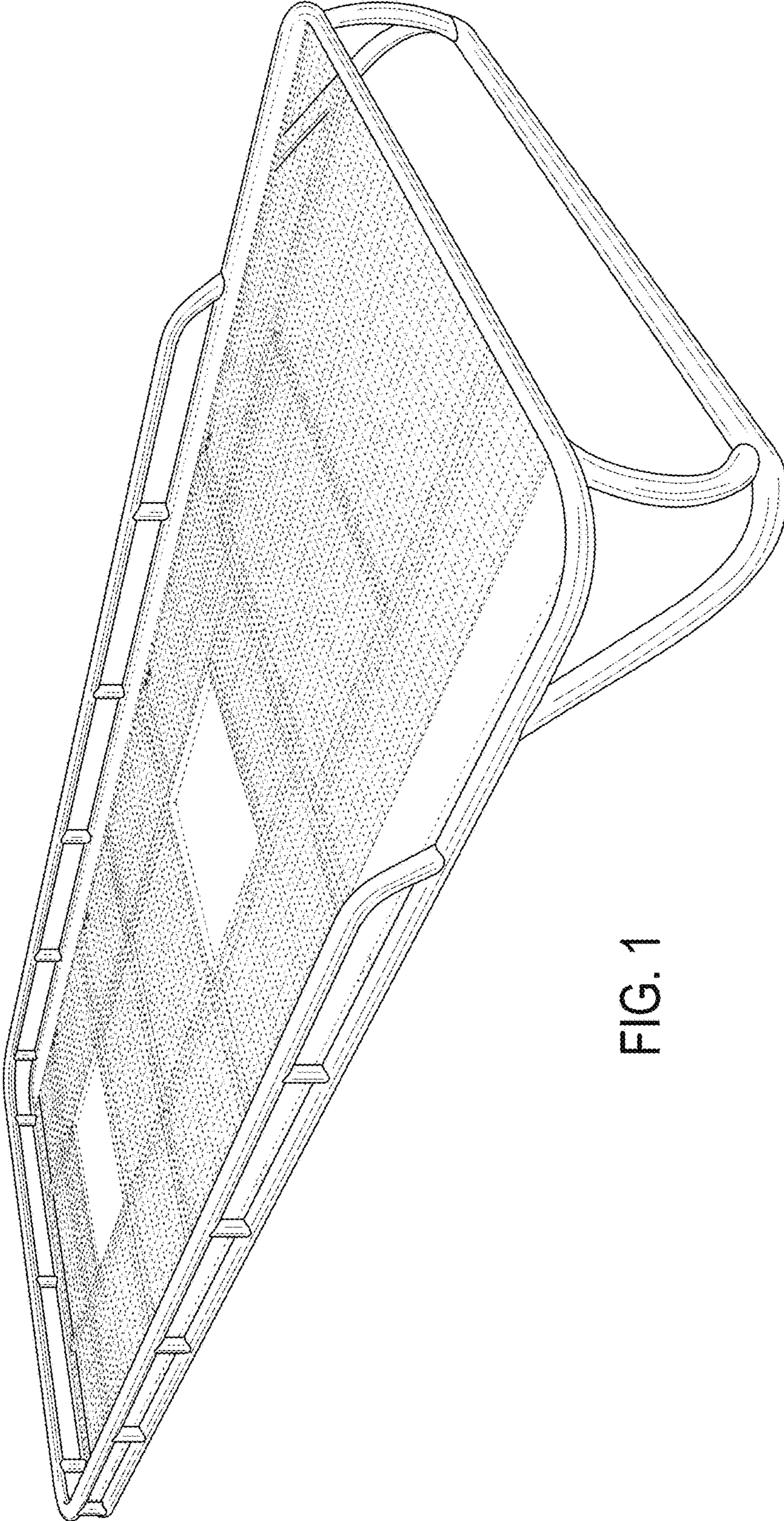


FIG. 1

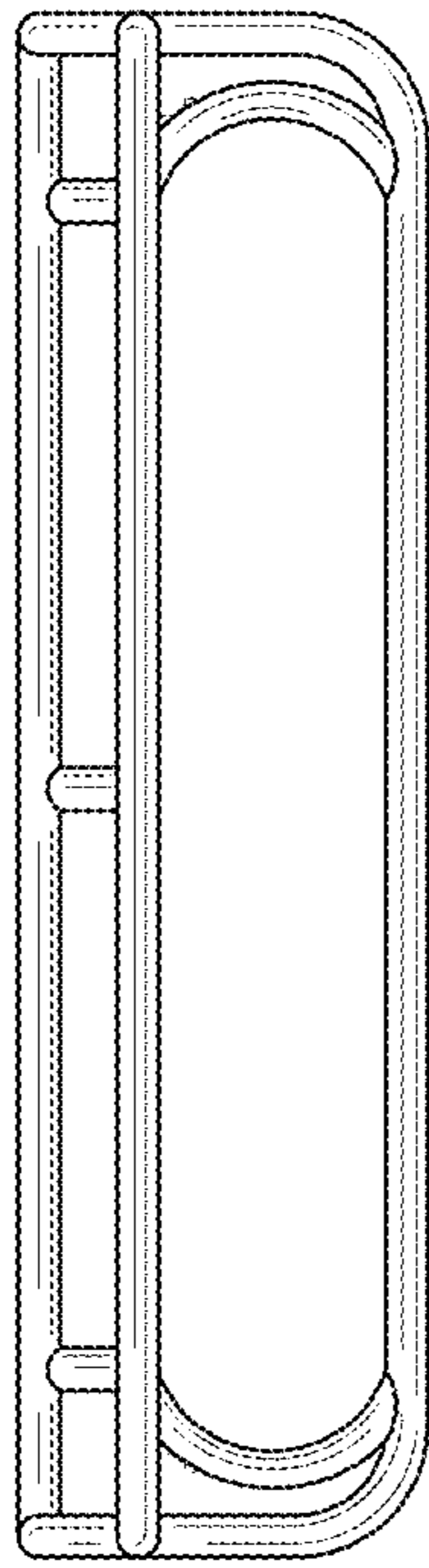


FIG. 2

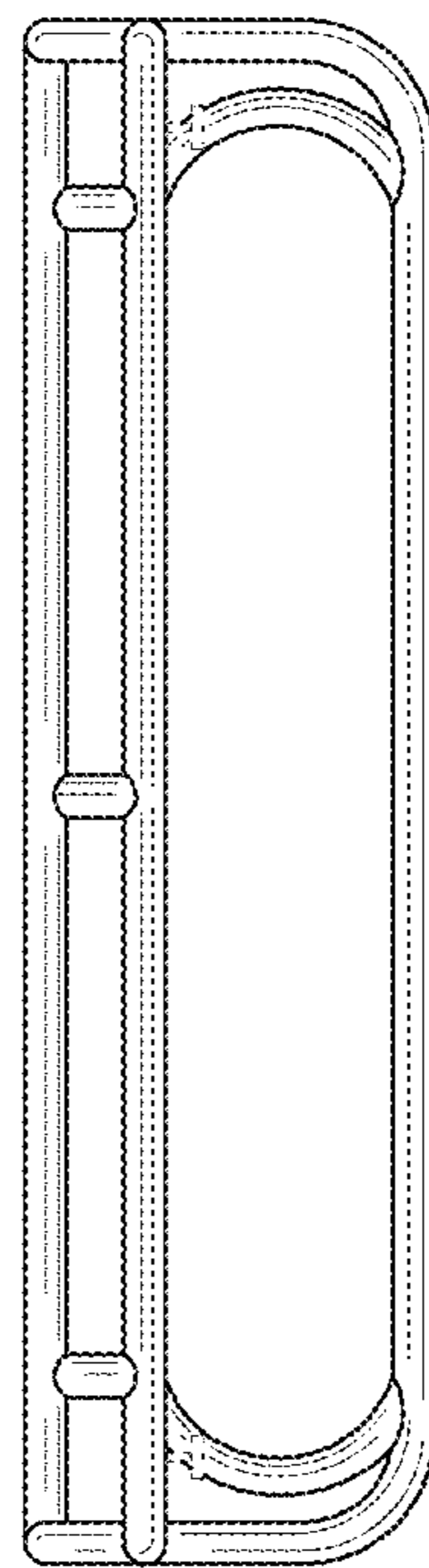


FIG. 3

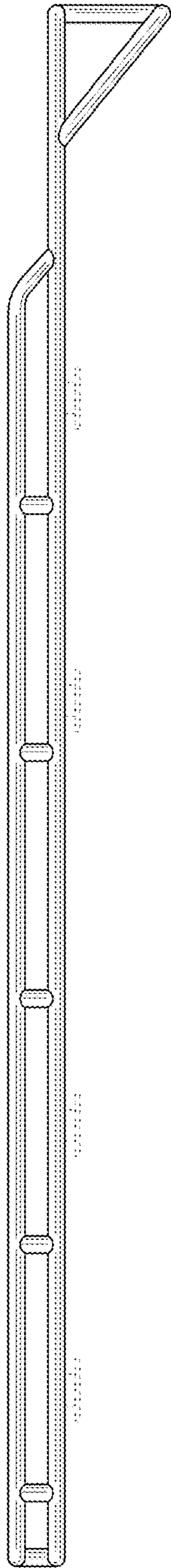


FIG. 4

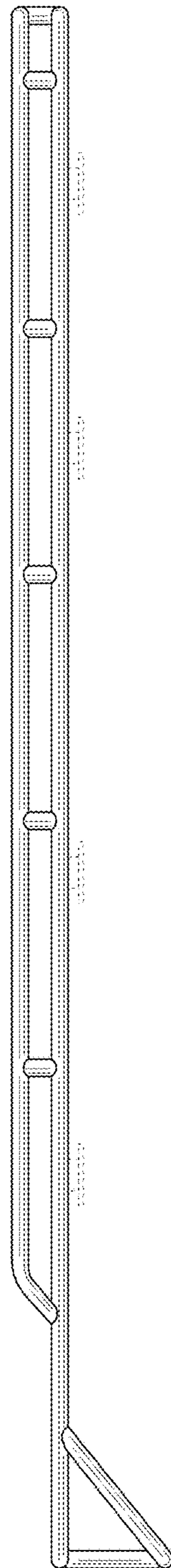


FIG. 5

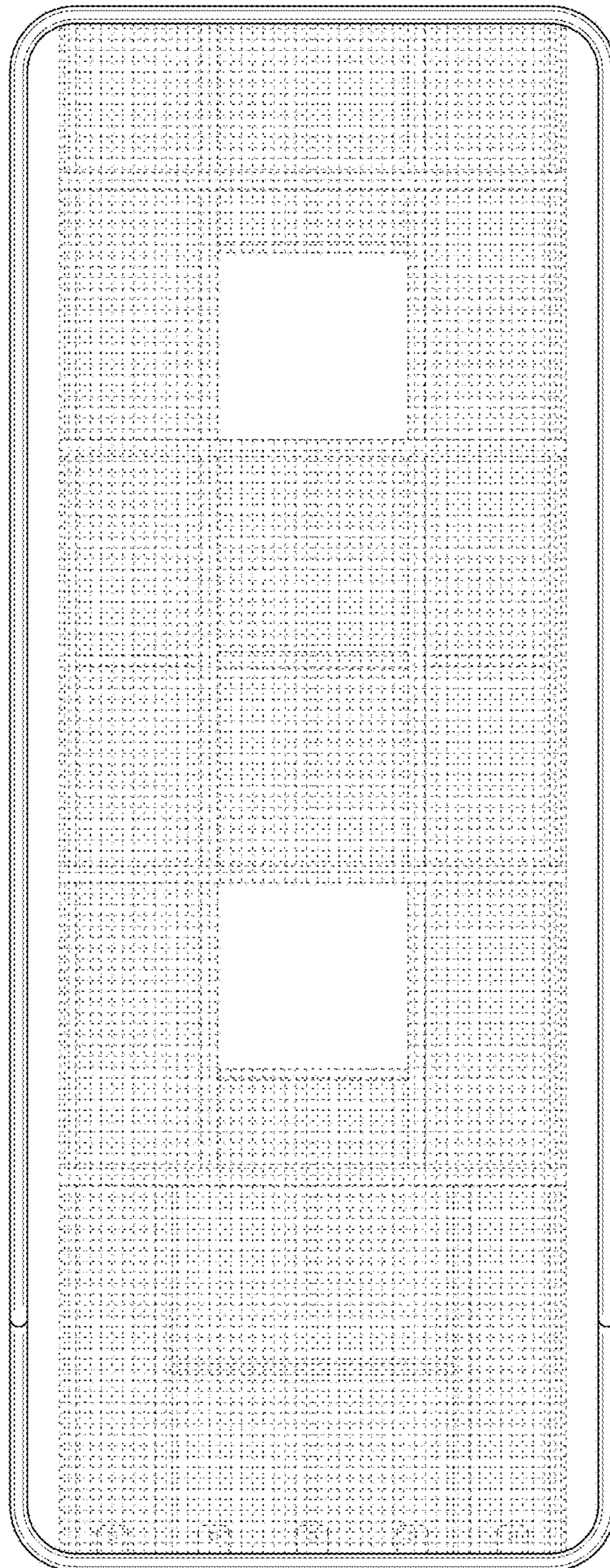


FIG. 6

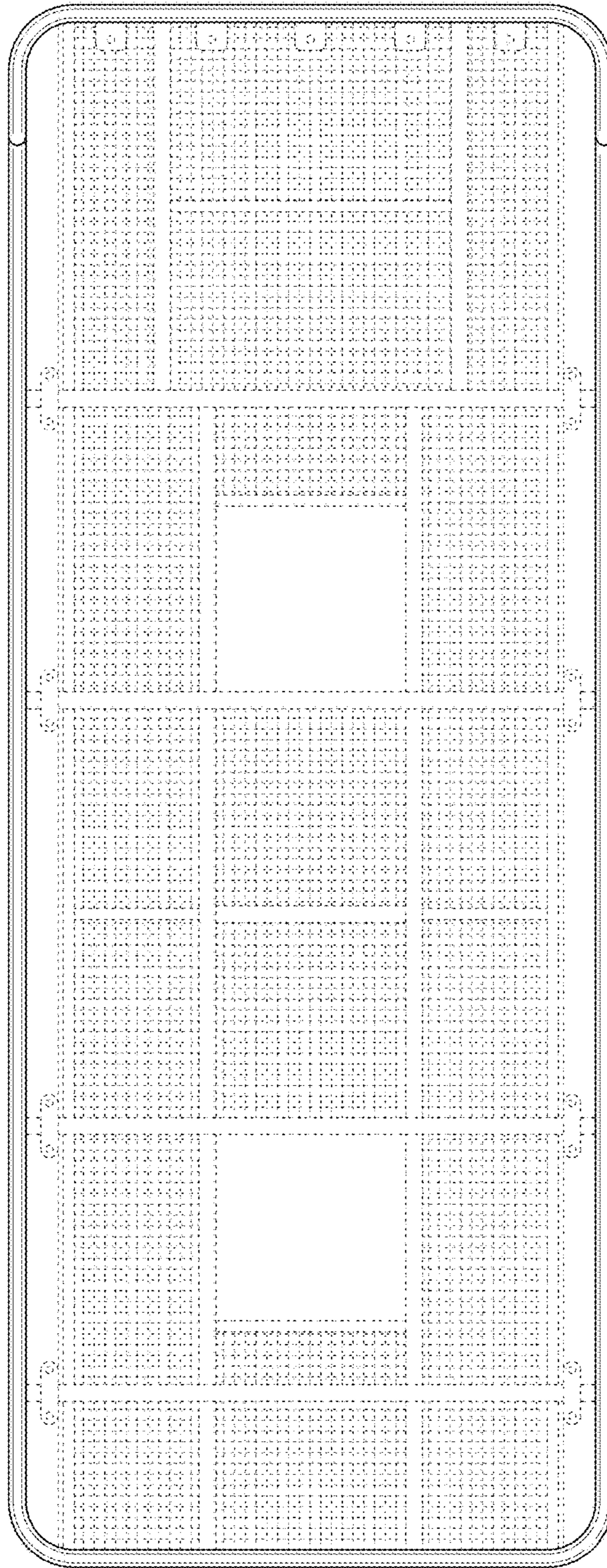


FIG. 7

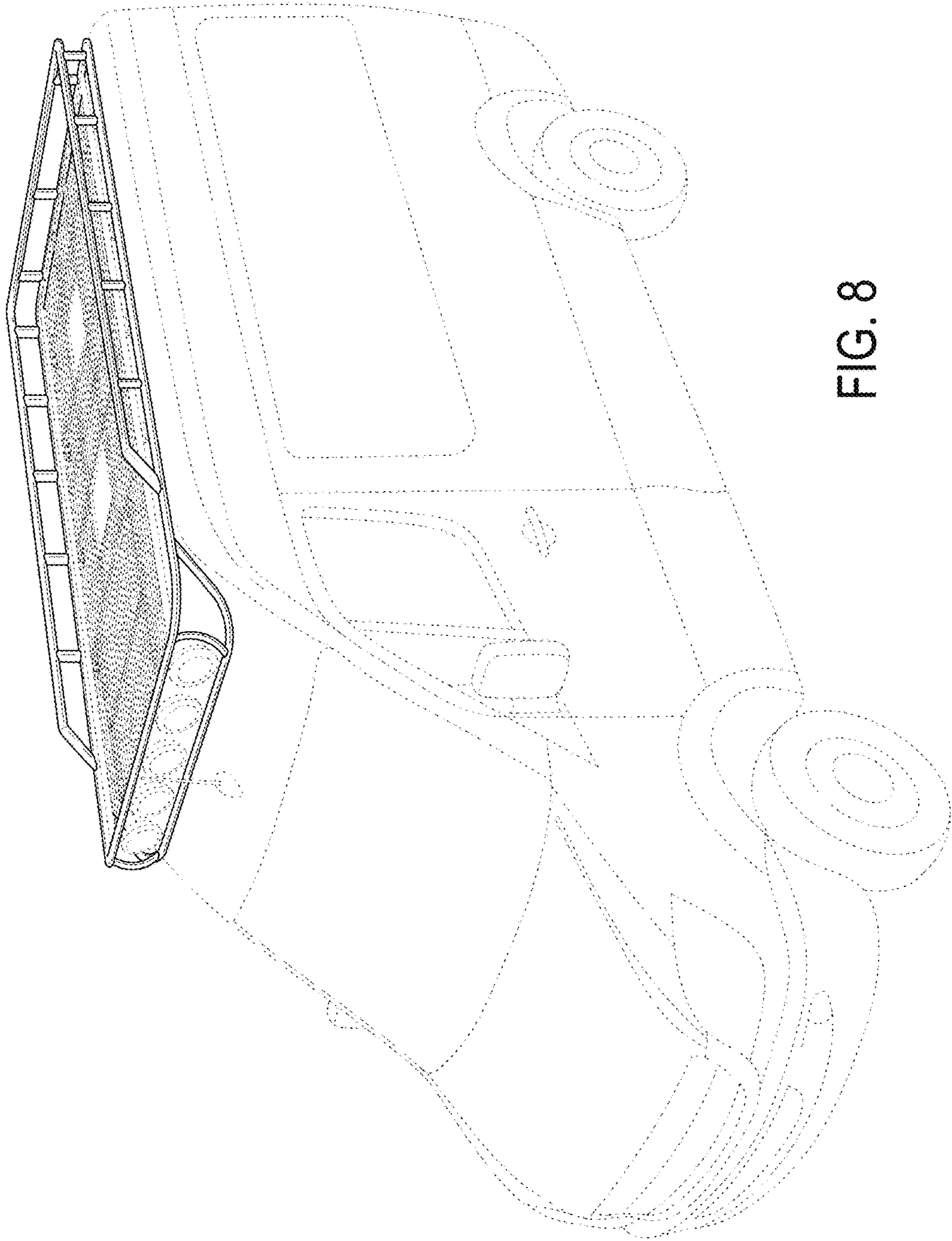


FIG. 8