



US00D809995S

(12) **United States Design Patent**
Ghannam et al.

(10) **Patent No.:** **US D809,995 S**

(45) **Date of Patent:** **** Feb. 13, 2018**

(54) **SENSOR COVER**

(71) Applicant: **Ford Motor Company**, Dearborn, MI (US)

(72) Inventors: **Mahmoud Yousef Ghannam**, Canton, MI (US); **Saied Nusier**, Canton, MI (US); **Swadad A. Carremm**, Canton, MI (US)

(73) Assignee: **Ford Motor Company**, Dearborn, MI (US)

(**) Term: **15 Years**

(21) Appl. No.: **29/574,795**

(22) Filed: **Aug. 18, 2016**

(51) **LOC (11) Cl.** **12-16**

(52) **U.S. Cl.**
USPC **D12/400**

(58) **Field of Classification Search**
USPC D12/107, 110, 114, 115, 117, 126, 400, D12/401, 404, 415, 423, 179; D25/48.1, D25/48.3

CPC . B60R 1/025; B60R 1/08; B62H 5/001; B62J 9/006; B65D 43/16; B65D 43/22; B65D 55/02; F21S 48/00; G01S 13/931

See application file for complete search history.

(56) **References Cited**

U.S. PATENT DOCUMENTS

2,544,144	A *	3/1951	Ellis	F04C 2/101 418/170
6,502,839	B1 *	1/2003	Chino	B62D 15/023 280/93.512
6,761,296	B2	7/2004	Ford et al.		
D579,833	S	11/2008	Acenbrak		
D581,298	S	11/2008	Beaujard et al.		
D623,121	S	9/2010	Lewis		
D651,964	S	1/2012	Sakae		
8,177,292	B1	5/2012	Baccouche et al.		

D661,630	S *	6/2012	Fehring	D12/179
D663,397	S *	7/2012	Yeung	D23/324
D664,284	S	7/2012	Komarov et al.		
D665,249	S	8/2012	Hernandez		

(Continued)

FOREIGN PATENT DOCUMENTS

CN	203485859	U	3/2014
JP	10316393	A	12/1998

(Continued)

OTHER PUBLICATIONS

Sensor Cover & Base Plate, image post date Mar. 18, 2016, site visited May 7, 2017, (online), <<https://web.archive.org/web/20160318031405/http://thermalcomp.com/products/sensor-components/>>.*

(Continued)

Primary Examiner — Kevin Rudzinski

Assistant Examiner — Sean D Lough

(74) *Attorney, Agent, or Firm* — James P. Muraff; Neal, Gerber & Eisenberg

(57) **CLAIM**

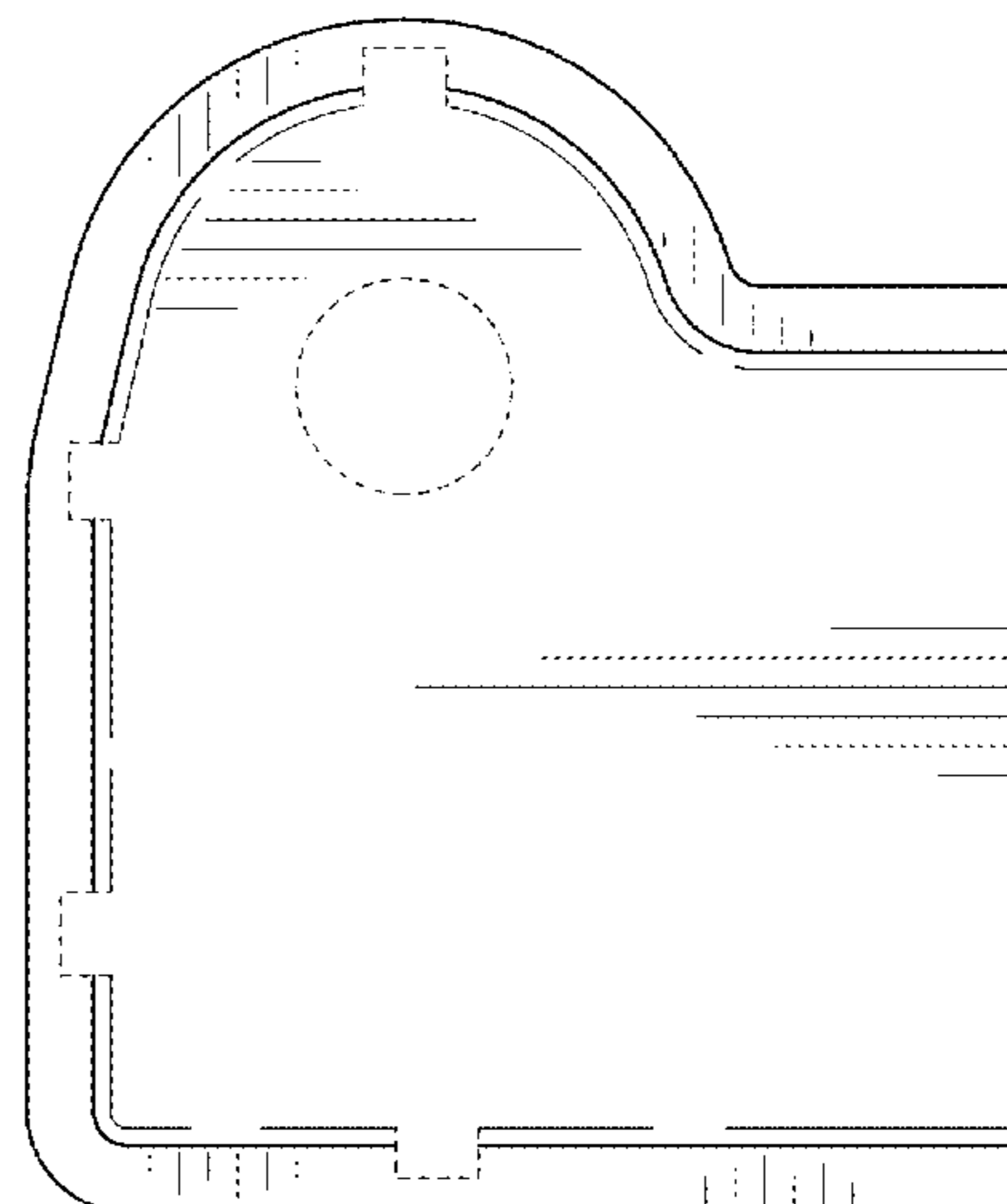
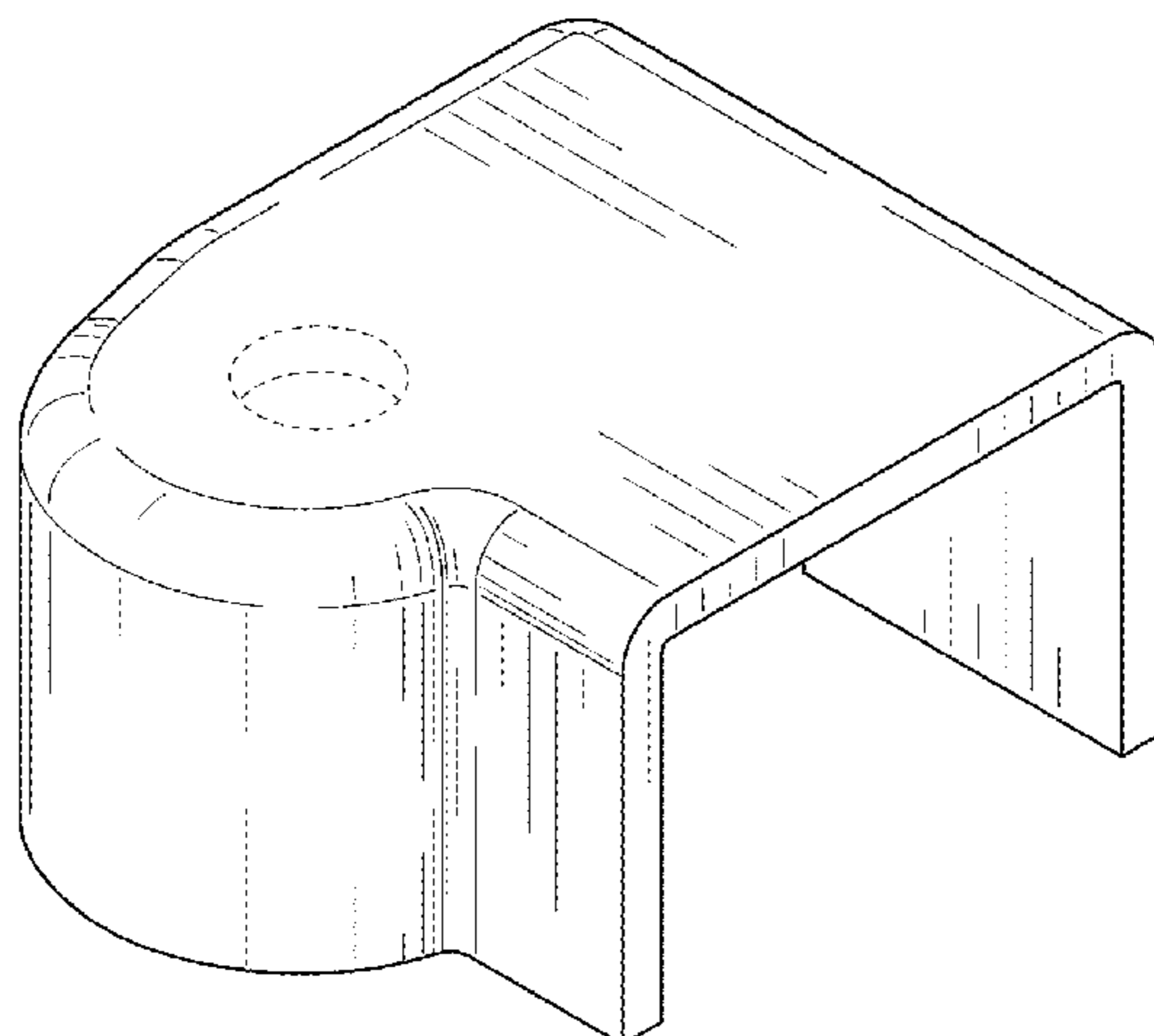
The ornamental design for a sensor cover, as shown and described.

DESCRIPTION

FIG. 1 is a front, left perspective view of the sensor cover. FIG. 2 is a left side plan view thereof. FIG. 3 is a right side plan view thereof. FIG. 4 is a front plan view thereof. FIG. 5 is a rear plan view thereof. FIG. 6 is a top plan view thereof; and, FIG. 7 is a bottom plan view thereof.

The broken line showings of (a) the aperture, and (b) the recesses are for the purpose of illustrating portions of the article and form no part of the claimed design.

1 Claim, 4 Drawing Sheets



(56)

References Cited

U.S. PATENT DOCUMENTS

D666,891 S * 9/2012 Gulseth D8/308
 D683,663 S * 6/2013 Foley D12/114
 D705,716 S * 5/2014 Newman D12/400
 8,894,121 B2 * 11/2014 Eilers B60R 7/04
 108/44
 D719,887 S * 12/2014 Hensel D12/207
 D719,896 S 12/2014 Sakae
 8,907,663 B2 12/2014 Lee
 D724,330 S 3/2015 Toll
 8,966,975 B2 * 3/2015 Campbell B29C 45/14655
 280/735
 D726,094 S 4/2015 Simecek et al.
 D729,691 S * 5/2015 Baron B60R 21/0428
 D12/16
 D736,141 S 8/2015 Sakae
 9,120,219 B1 * 9/2015 Liao B25H 3/021
 D741,780 S 10/2015 Lee
 D742,718 S 11/2015 Bouthillier
 D742,797 S 11/2015 Sugiura
 D743,239 S * 11/2015 Jones, Jr. D8/308
 D743,411 S * 11/2015 Zenri D14/447
 D743,518 S * 11/2015 Finnie D23/355
 D744,073 S * 11/2015 Waggoner D23/267
 9,199,592 B1 12/2015 Nusier et al.
 D747,225 S 1/2016 Decook et al.
 D750,706 S * 3/2016 Kim D18/50
 D751,023 S * 3/2016 Hennen D12/218
 D751,462 S * 3/2016 Baron D12/16
 D754,449 S 4/2016 Lam
 D762,462 S 8/2016 Anderson
 D764,822 S 8/2016 Toll
 D766,130 S * 9/2016 Baron D12/16
 D767,786 S * 9/2016 Smith D25/119
 D767,908 S * 10/2016 Berry D6/336
 D768,400 S * 10/2016 Berry D6/336
 D769,034 S 10/2016 Lawson
 D769,235 S * 10/2016 Li D14/253
 D773,839 S 12/2016 Player
 D774,791 S 12/2016 Toll
 D775,036 S 12/2016 Shafer
 D775,561 S * 1/2017 Platto D12/169
 D775,565 S 1/2017 Shafer
 D776,165 S * 1/2017 Ellison D15/5
 D776,747 S 1/2017 Lenihan
 D784,033 S 4/2017 Li
 D785,052 S 4/2017 Underhill et al.
 2002/0096517 A1 7/2002 Gelardi
 2006/0022531 A1 * 2/2006 Tenca G01D 5/34707
 310/66
 2007/0256946 A1 * 11/2007 Godshaw B65D 25/10
 206/320
 2008/0164707 A1 7/2008 Belwafa et al.
 2008/0203782 A1 8/2008 Bigolin
 2009/0039127 A1 2/2009 Dacko
 2009/0152912 A1 6/2009 Yu
 2009/0193632 A1 * 8/2009 Yeh B62J 9/006
 24/581.1
 2010/0206021 A1 * 8/2010 Tribout B62H 5/001
 70/233

2011/0006027 A1 1/2011 Domoy et al.
 2011/0185812 A1 8/2011 Raschke
 2011/0285176 A1 11/2011 Baccouche et al.
 2013/0256353 A1 10/2013 Angeli et al.
 2013/0272009 A1 * 10/2013 Fujiu B60Q 1/0058
 362/517
 2014/0036522 A1 * 2/2014 Nakada F21S 48/00
 362/511
 2014/0060882 A1 * 3/2014 Ellis H01R 4/04
 174/78
 2014/0286031 A1 * 9/2014 Marcori F21S 48/1225
 362/511
 2015/0202402 A1 7/2015 Kat
 2015/0225137 A1 * 8/2015 Wei B65D 43/16
 220/230
 2015/0331087 A1 * 11/2015 Philipp H05K 5/0069
 342/175
 2016/0033621 A1 2/2016 Ottenhues et al.
 2016/0116666 A1 4/2016 Sato
 2016/0264314 A1 * 9/2016 Bristow B65D 47/286
 2016/0264315 A1 * 9/2016 Downey B65D 65/403
 2016/0372832 A1 12/2016 Park et al.
 2017/0062929 A1 3/2017 Abe
 2017/0107022 A1 4/2017 Lee

FOREIGN PATENT DOCUMENTS

JP 4057246 B2 3/2008
 KR 20120059907 A 6/2012

OTHER PUBLICATIONS

P2M Nissan SR20DET Billet Aluminum Crank Angle Sensor Cover Silver P2-CASNSR20S-GD, image post date Jul. 3, 2015, site visited May 7, 2017, (online), <https://guide.alibaba.com/shop/p2m-nissan-sr20det-billet-aluminum-crank-angle-sensor-cover-silver-p2-casnsr20s-gd_59449234.html>.*
 SAAB Rain Sensor Cover, image post date 2000, site visited May 07, 2017, (online), <<https://www.eeuroparts.com/Parts/57222/Rain-Sensor-Cover-12796773/>>.*
 OEM Windshield Rain Sensor Cover, image post date 2013, site visited May 9, 2017, (online), <<http://www.ebay.com/itm/BRAND-NEW-OEM-WINDSHIELD-RAIN-SENSOR-COVER-FORD-LINCOLN-MERCURY-9L3Z-17D550-A-/361181938502>>.*
 Imfsoft aluminium timing cover, image post date Aug. 15, 2014, site visited Jan. 9, 2017, (online), <<http://www.mjscrane.com/panhard/ignition/>>.*
 SAAB Rain Sensor Cover, image post date 2000, site visited May 7, 2017, (online), <<https://www.europarts.com/Parts/57222/Rain-Sensor-Cover-12796773/>>.*
 P2M Nissan SR200ET Billet Aluminum Crank Angle Sensor Cover Silver P2-CASNSR20S-GO, image post date Jul. 3, 2015, site visited May 7, 2017, (online), <https://guide.alibaba.com/shop/p2m-nissan-sr20det-billet-aluminum-crank-angle-sensor-coversilver-p2-casnsr20s-gd_59449234.html>.*
 Genuine Ford Rain Sensor Cover 1798226, image post date 2008, site visited May 7, 2017, (online), <<https://picclick.co.uk/Genuine-Ford-Rain-Sensor-Cover-1798226-122136621218.html>>.*

* cited by examiner

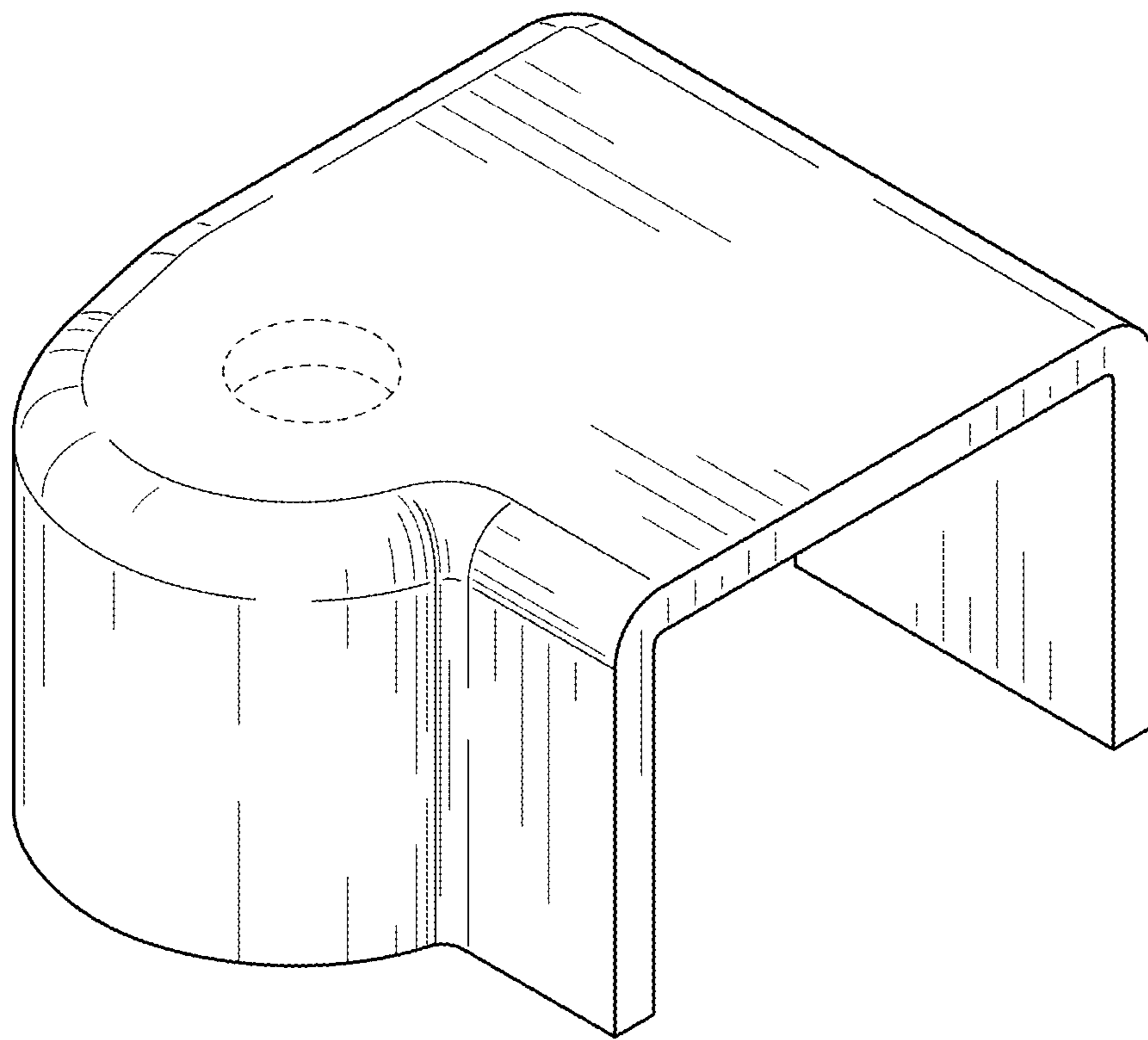


FIG. 1

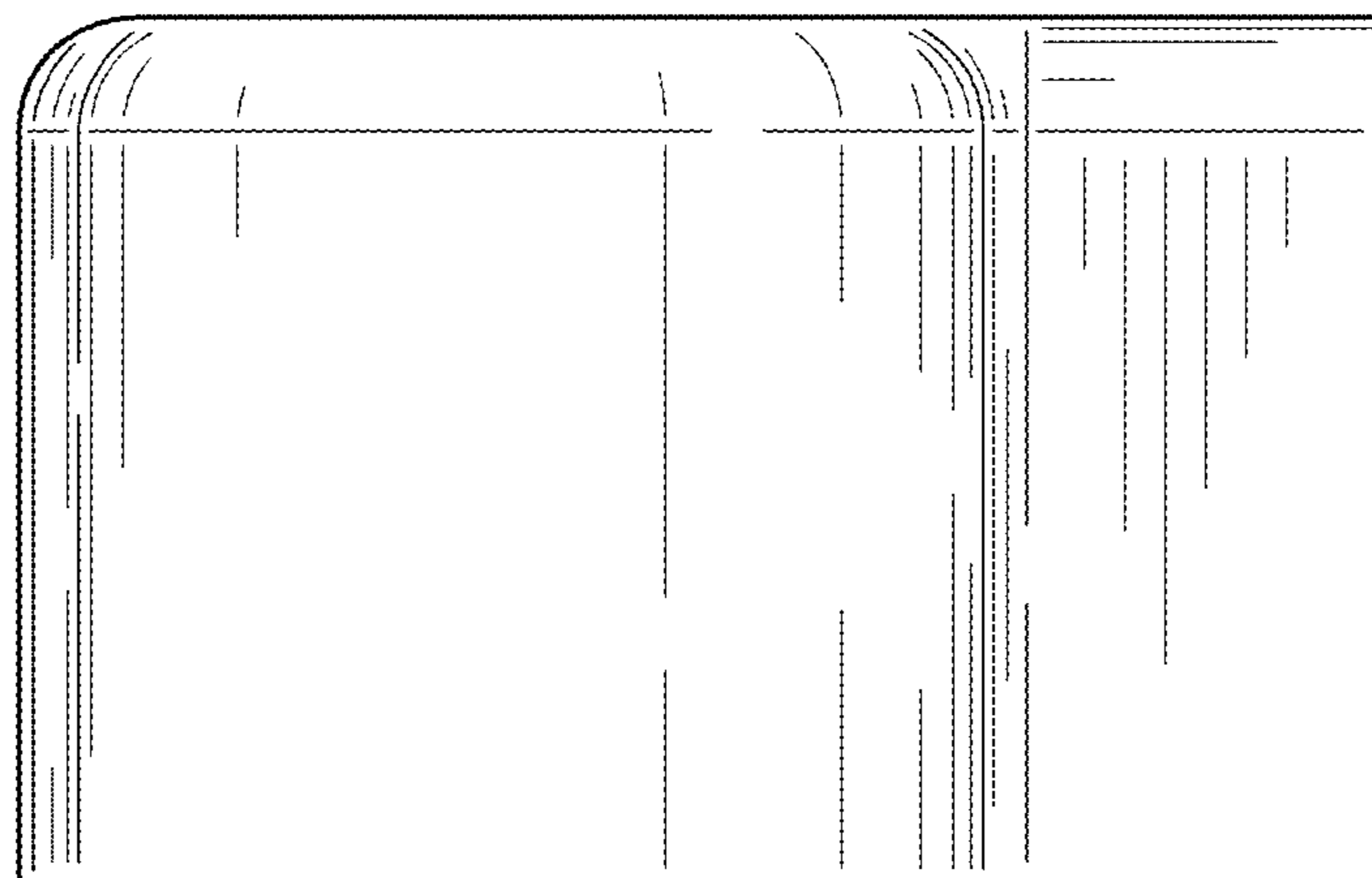


FIG. 2

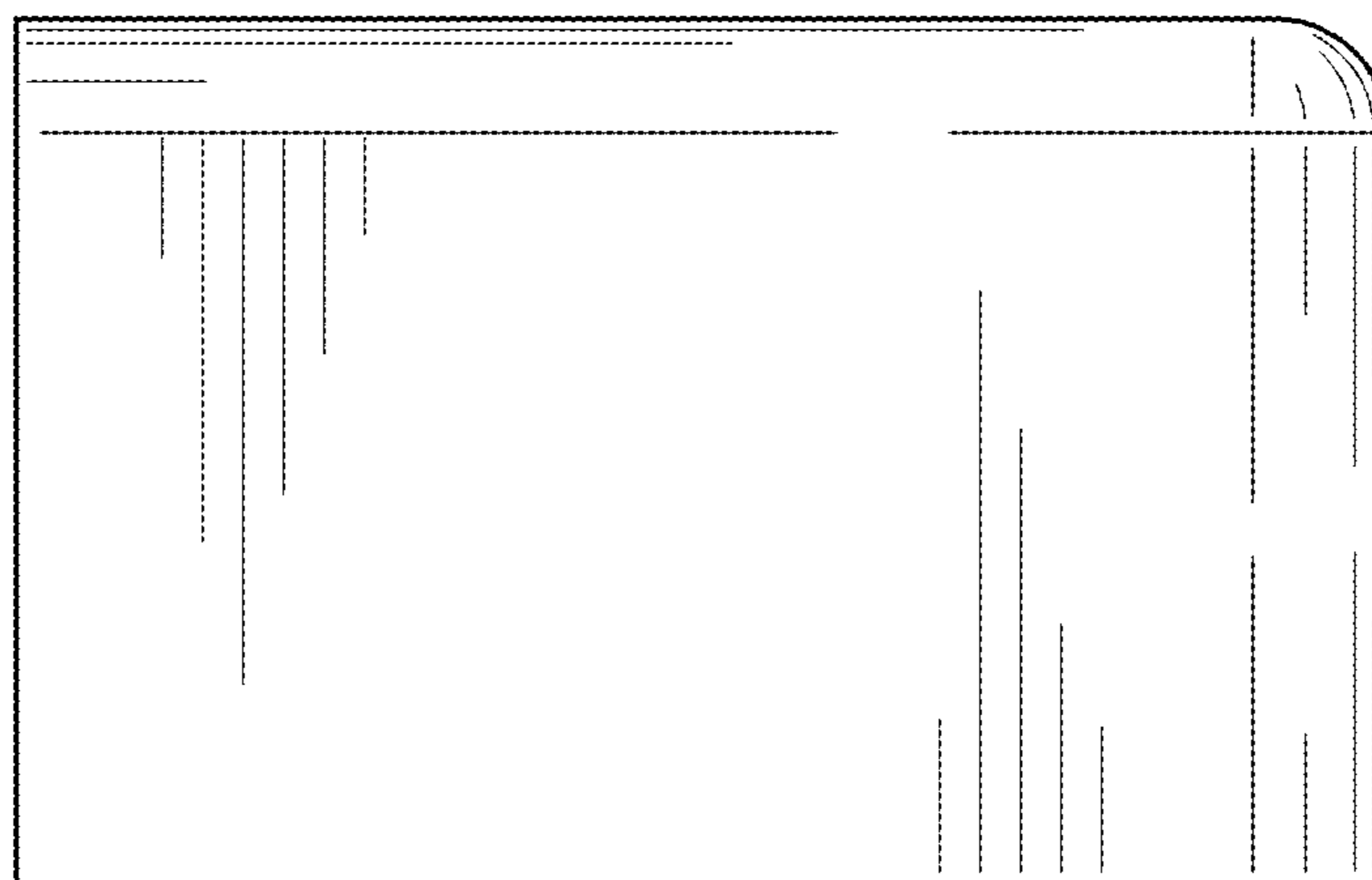


FIG. 3

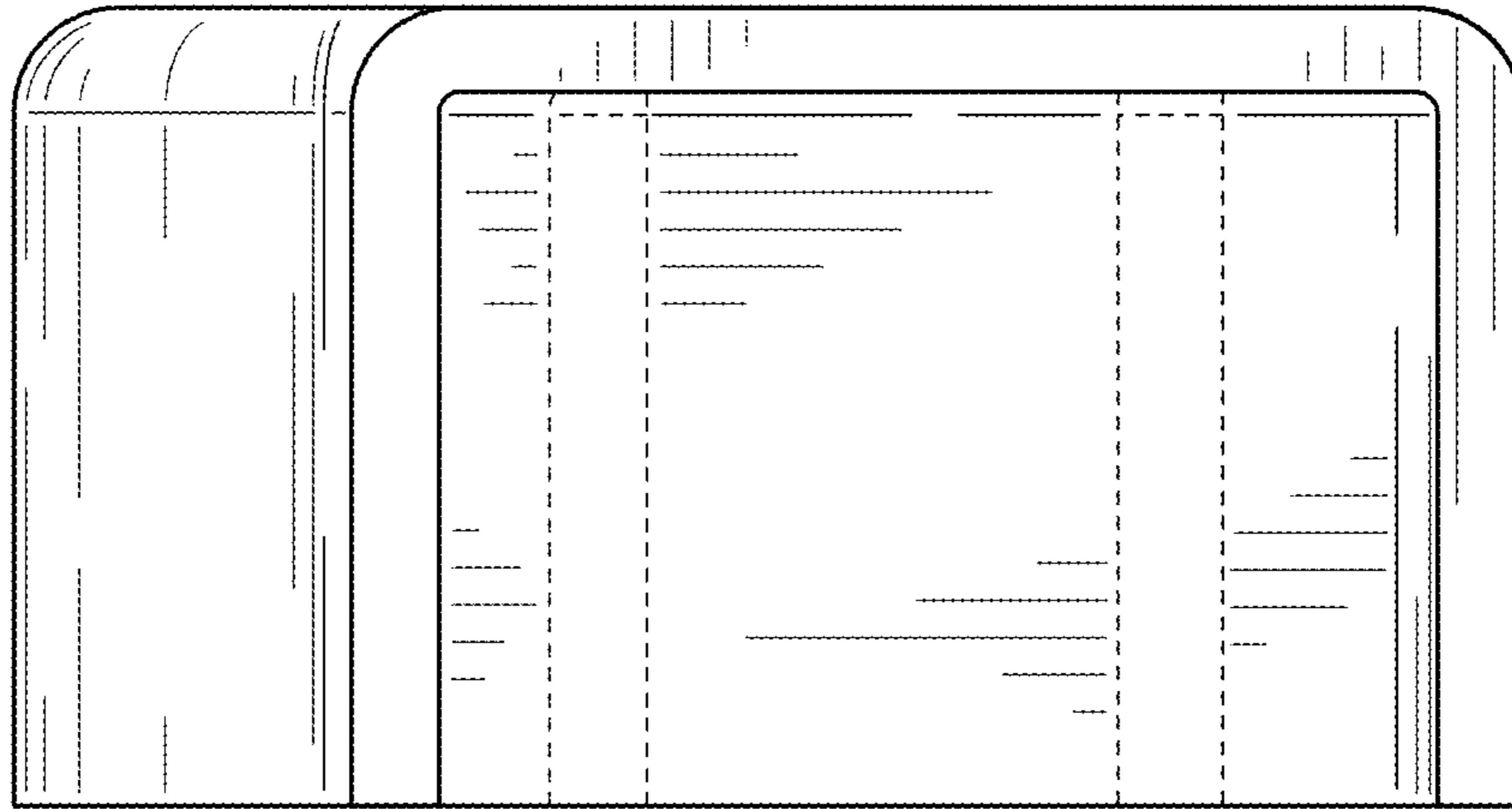


FIG. 4

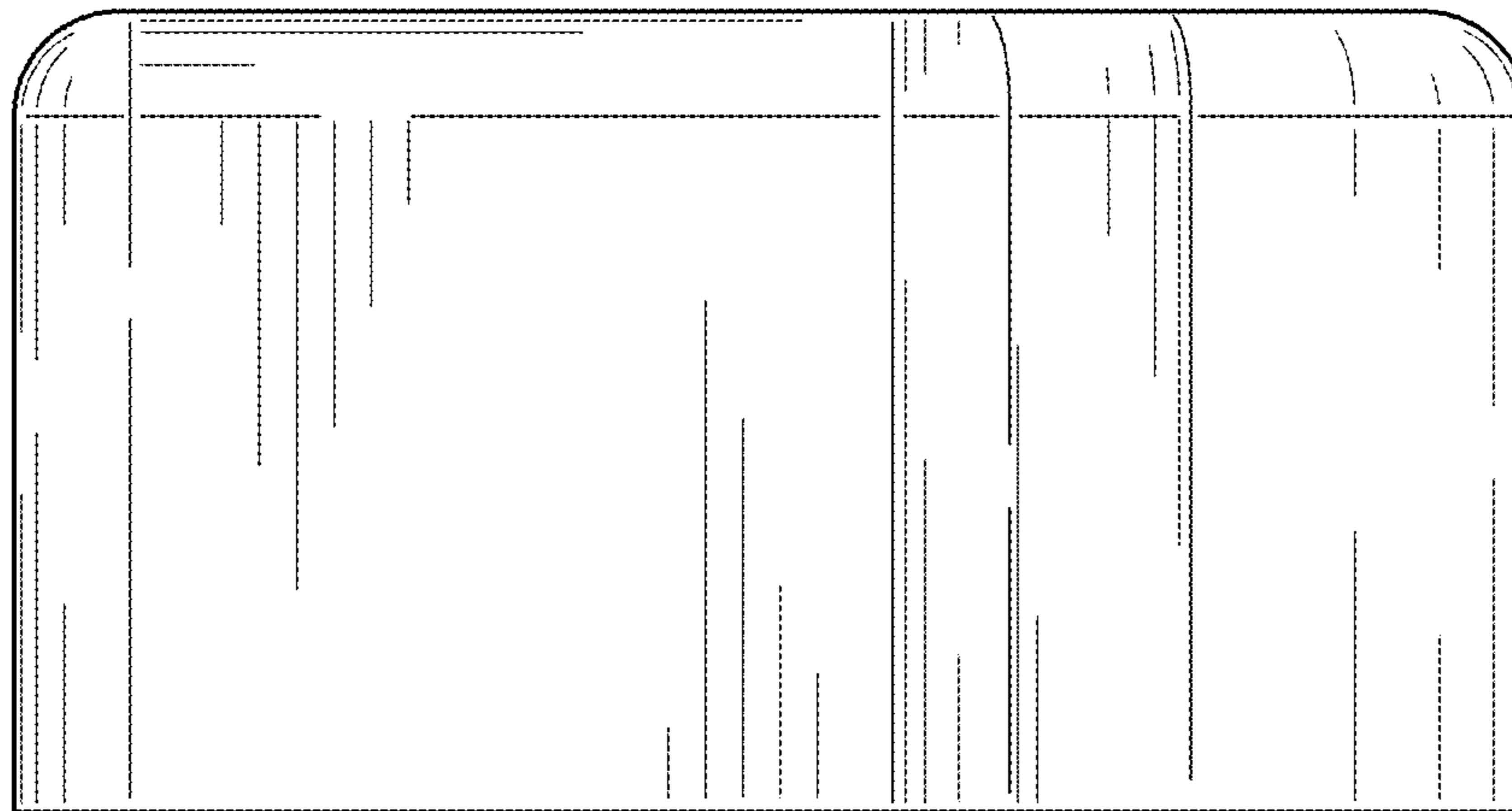


FIG. 5

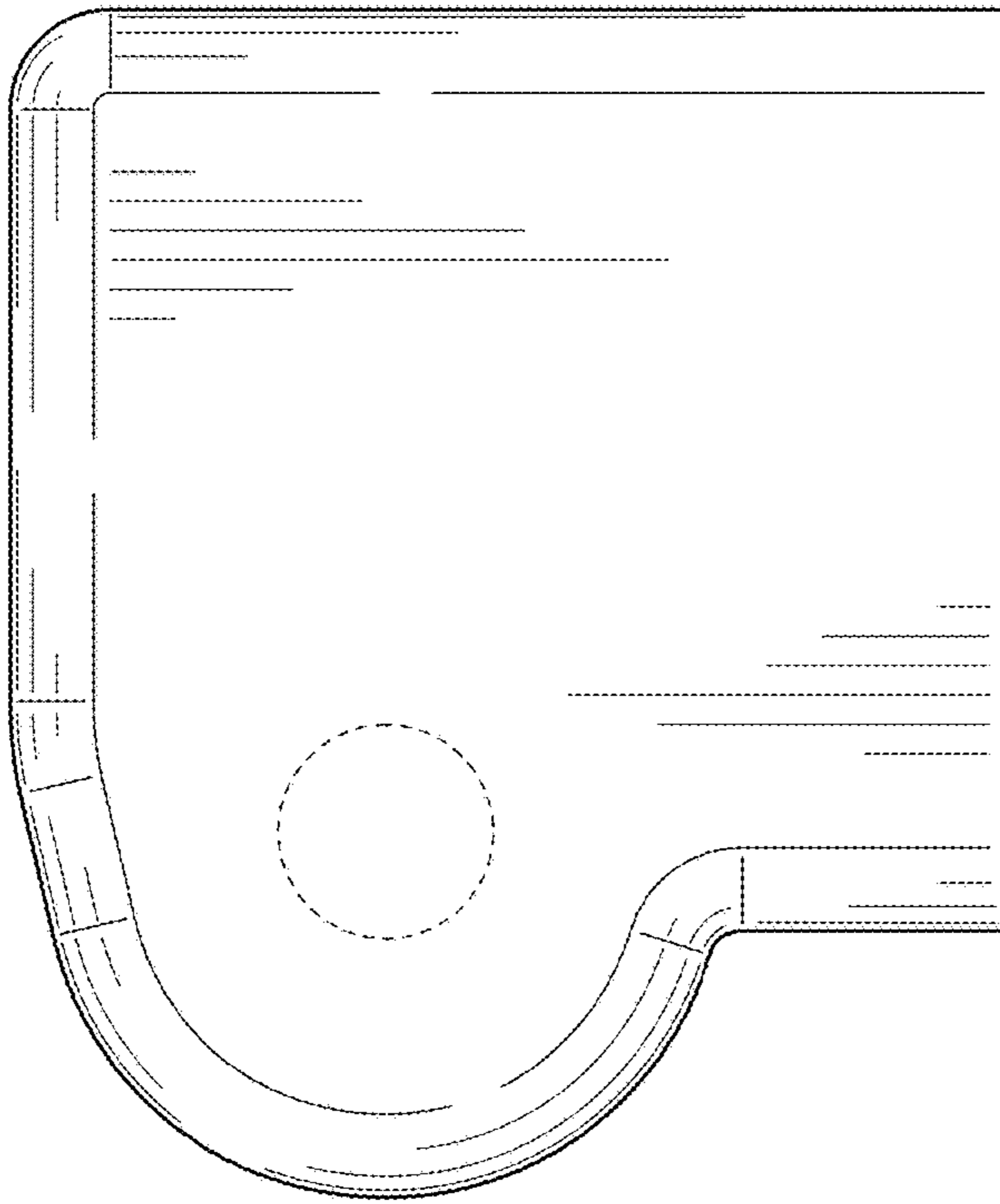


FIG. 6

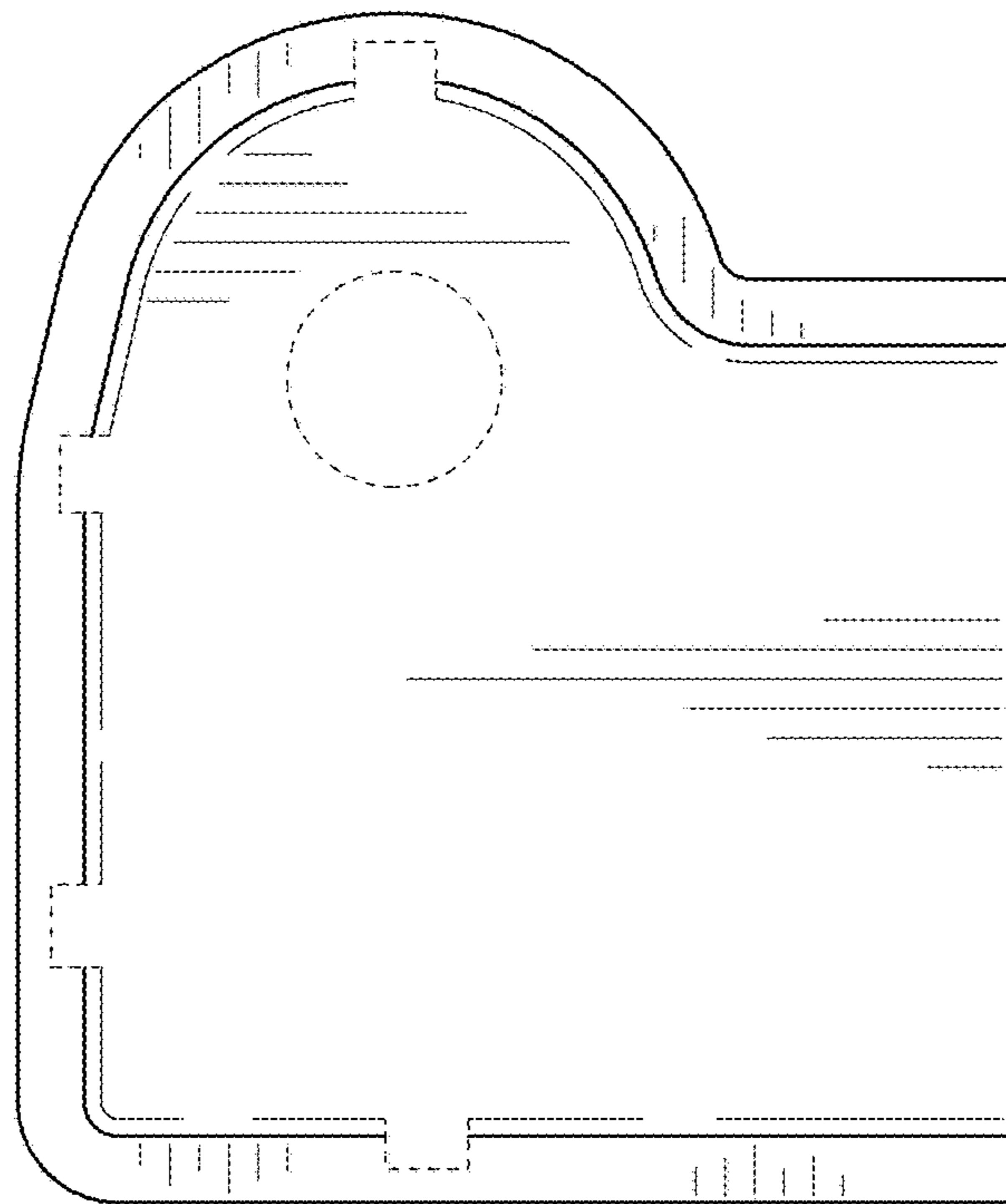


FIG. 7