



US00D809993S

(12) **United States Design Patent**
Tsukii

(10) **Patent No.:** **US D809,993 S**

(45) **Date of Patent:** **** Feb. 13, 2018**

(54) **JET AIRPLANE**

(71) Applicant: **Toshikazu Tsukii**, Oro Valley, AZ (US)

(72) Inventor: **Toshikazu Tsukii**, Oro Valley, AZ (US)

(**) Term: **15 Years**

(21) Appl. No.: **29/588,708**

(22) Filed: **Dec. 22, 2016**

(51) **LOC (11) Cl.** **12-07**

(52) **U.S. Cl.**
USPC **D12/343**

(58) **Field of Classification Search**
USPC D12/3, 16.1, 319–345; D21/436–455
CPC B64C 39/024; B64C 2201/108
See application file for complete search history.

(56) **References Cited**

U.S. PATENT DOCUMENTS

D193,013 S *	6/1962	Alvaney	D21/448
D214,597 S *	7/1969	Cathers	D12/340
D219,295 S *	11/1970	Rosenthal	D21/451
D232,926 S *	9/1974	Rellis	D12/337
D377,326 S *	1/1997	Grossman	D12/16.1
D386,143 S *	11/1997	Astaire	D12/319
D396,445 S *	7/1998	Navarro-Machado	D12/319
D418,105 S *	12/1999	Margaritoff	D12/319
D426,804 S *	6/2000	Birrenbach	D12/319
D446,764 S *	8/2001	Panatov	D12/324
D469,054 S *	1/2003	Fujino	D12/319
D476,943 S *	7/2003	Reinhard	D12/319
D477,561 S *	7/2003	Nelson	D12/319
D479,501 S *	9/2003	Nelson	D12/319
D499,687 S *	12/2004	Fraser	D12/319
D504,862 S *	5/2005	Seidel	D12/319
D530,659 S *	10/2006	Guering	D12/319
D541,207 S *	4/2007	Seidel	D12/343
D543,494 S *	5/2007	Hall	D12/319
D589,867 S *	4/2009	Chesne	D12/343

D589,868 S *	4/2009	Matharan	D12/343
D599,727 S *	9/2009	Couvelaire	D12/343
D612,792 S *	3/2010	Guering	D12/343

(Continued)

Primary Examiner — Robert M. Spear

Assistant Examiner — Marissa J Cash

(74) *Attorney, Agent, or Firm* — Eugene Vamos

(57) **CLAIM**

The ornamental design for a jet airplane, as shown and described.

DESCRIPTION

FIG. 1 is a perspective view of a jet airplane showing my new design;

FIG. 2 is a front plan view of the jet airplane;

FIG. 3 is a back plan view of the jet airplane;

FIG. 4 is a view of one side of the jet airplane;

FIG. 5 is a view of the opposite side of the jet airplane;

FIG. 6 is a top plan view of the jet airplane;

FIG. 7 is a bottom plan view of the jet airplane;

FIG. 8 is a perspective view of the jet airplane shown in an alternate configuration of use with raised landing gear;

FIG. 9 is a front plan view of the jet airplane shown in an alternate configuration of use with raised landing gear;

FIG. 10 is a back plan view of the jet airplane shown in an alternate configuration of use with raised landing gear;

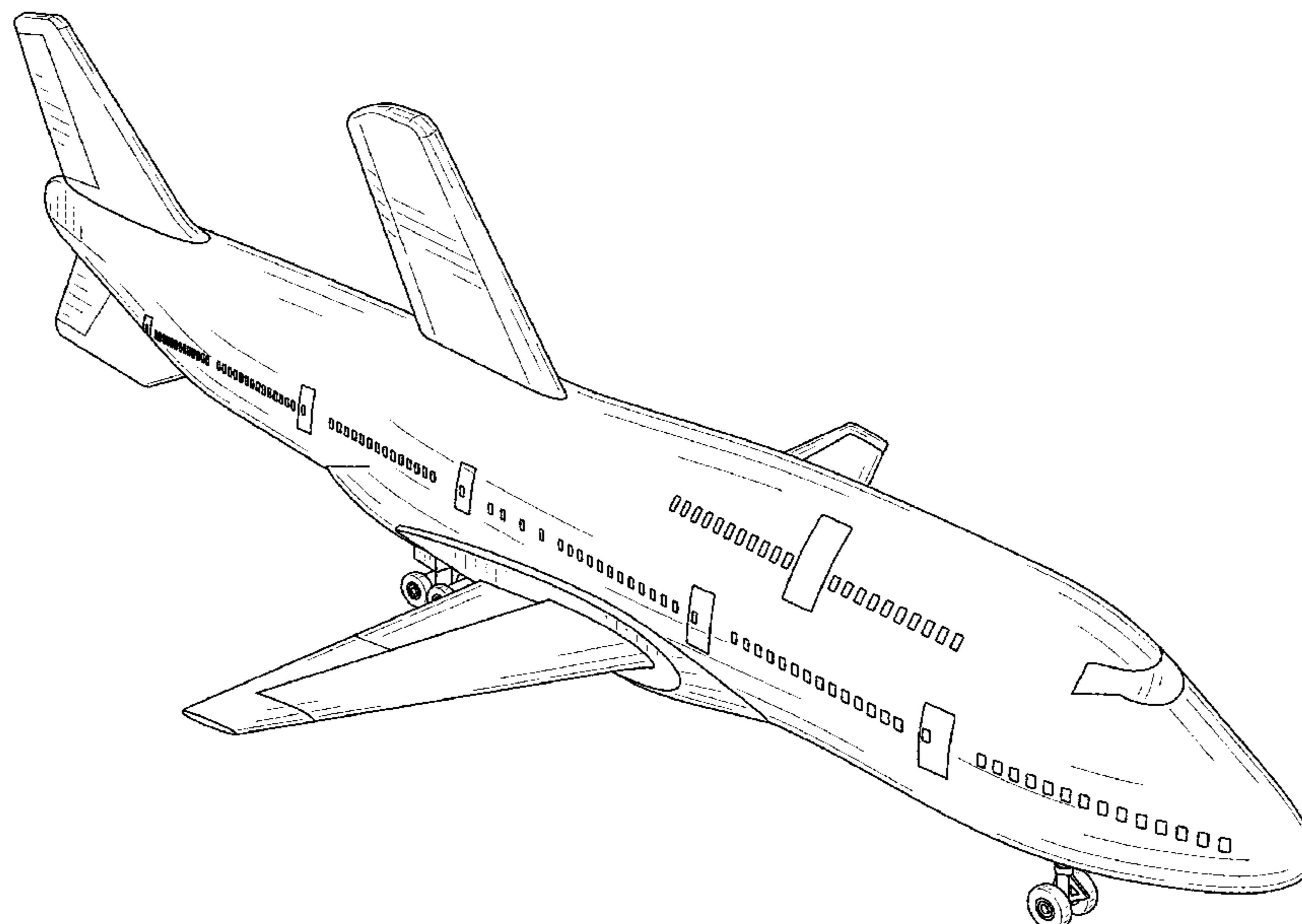
FIG. 11 is a view of one side of the jet airplane shown in an alternate configuration of use with raised landing gear;

FIG. 12 is a view of the opposite side of the jet airplane shown in an alternate configuration of use with raised landing gear;

FIG. 13 is a top plan view of the jet airplane shown in an alternate configuration of use with raised landing gear; and,

FIG. 14 is a bottom plan view of the jet airplane shown in an alternate configuration of use with raised landing gear.

1 Claim, 12 Drawing Sheets



(56)

References Cited

U.S. PATENT DOCUMENTS

D613,202	S *	4/2010	Rodriquez	D12/3
D622,653	S *	8/2010	Moore	D12/319
D624,480	S *	9/2010	Guering	D12/343
D628,528	S *	12/2010	Cabezas Carrasco	D12/319
D642,968	S *	8/2011	Zhao	D12/344
8,313,055	B2 *	11/2012	Gall	B64D 27/02 244/1 N
D702,622	S *	4/2014	Klimov	D12/319
9,022,311	B2 *	5/2015	Thomas	B64C 7/02 244/1 N
D733,030	S *	6/2015	Navarro-Machado	D12/319
D739,807	S *	9/2015	Strand	D12/324
D760,637	S *	7/2016	Cummings	D12/343
D762,157	S *	7/2016	Faure	D12/342
D762,548	S *	8/2016	Faure	D12/342
RE46,320	E *	2/2017	Fujino	D12/319
D778,803	S *	2/2017	Faure	D12/319
D792,832	S *	7/2017	Chung	D12/343
D795,160	S *	8/2017	Koppenwallner	D12/343
D797,641	S *	9/2017	Cummings	D12/343
2012/0160968	A1 *	6/2012	Barmichev	B64C 1/00 244/45 R
2013/0099053	A1 *	4/2013	Barmichev	B64C 1/10 244/102 R

* cited by examiner

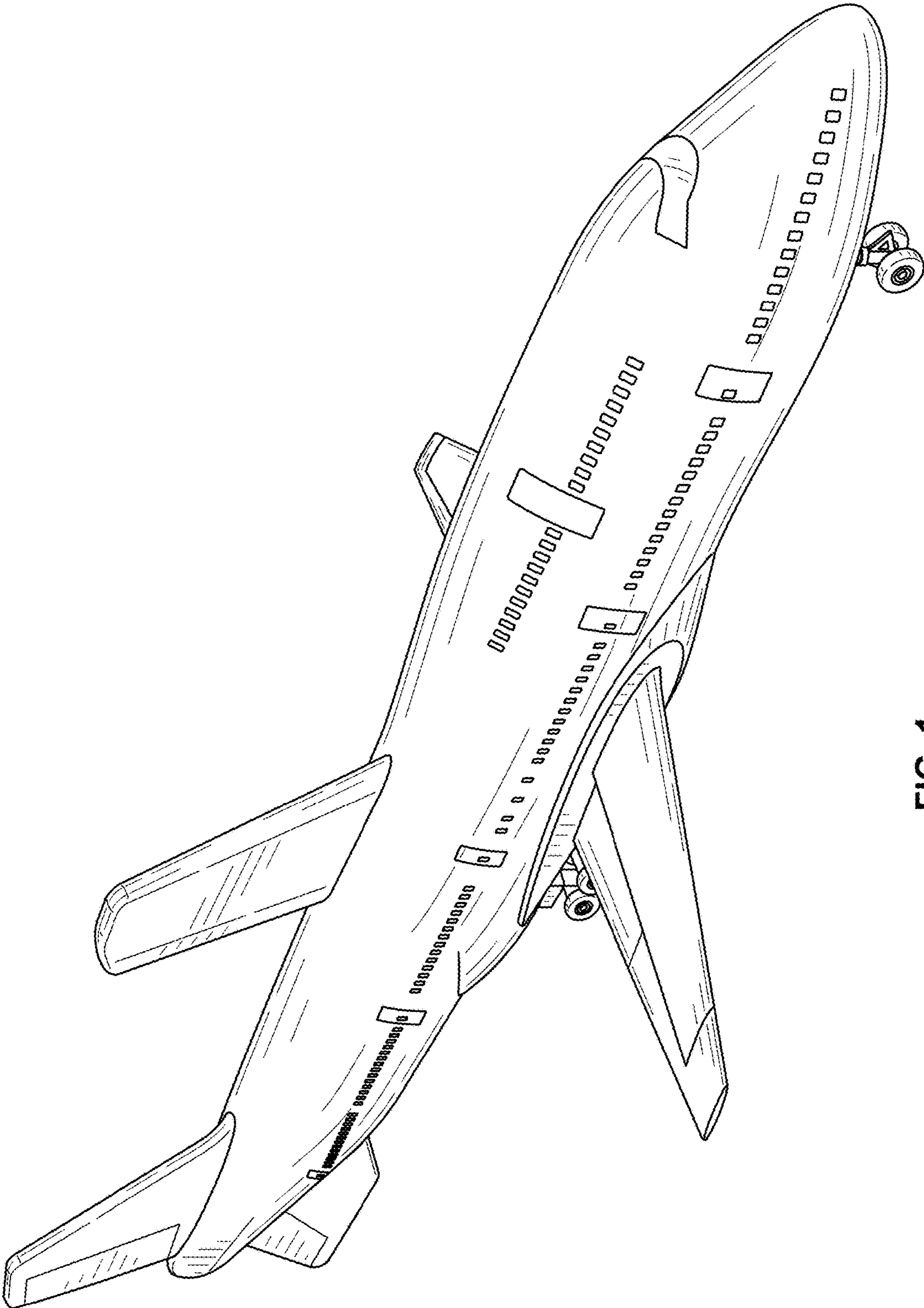


FIG. 1

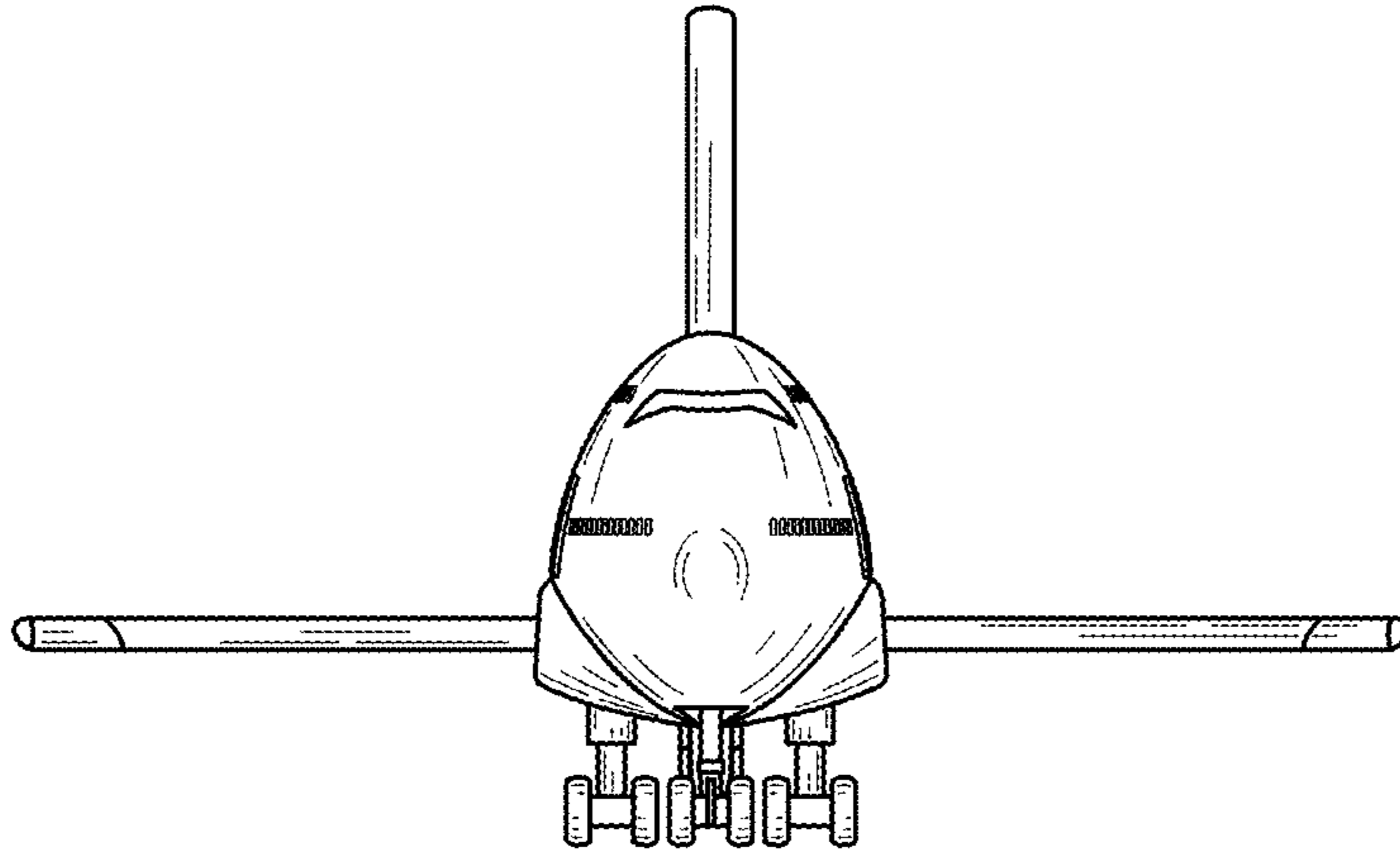


FIG. 2

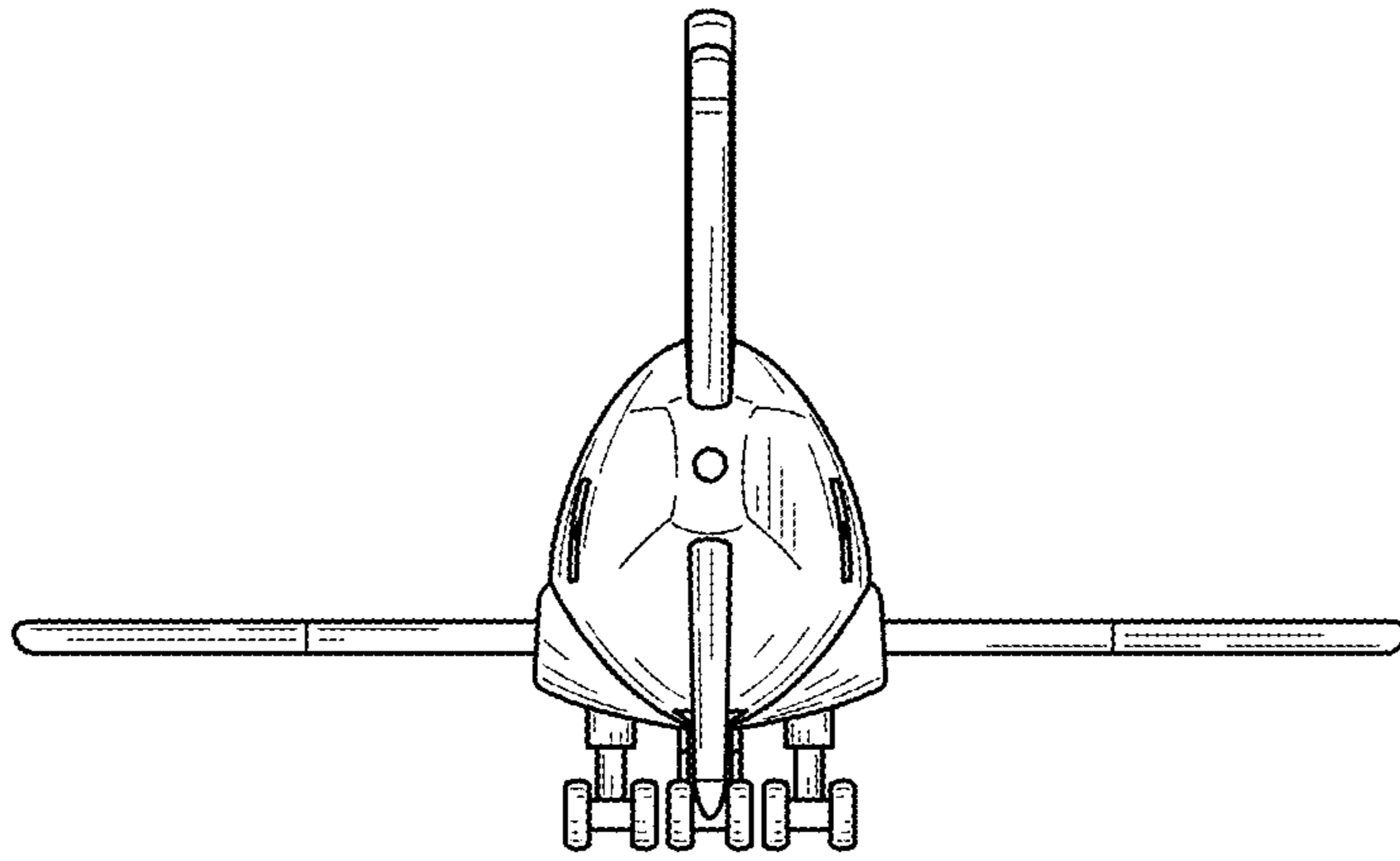


FIG. 3

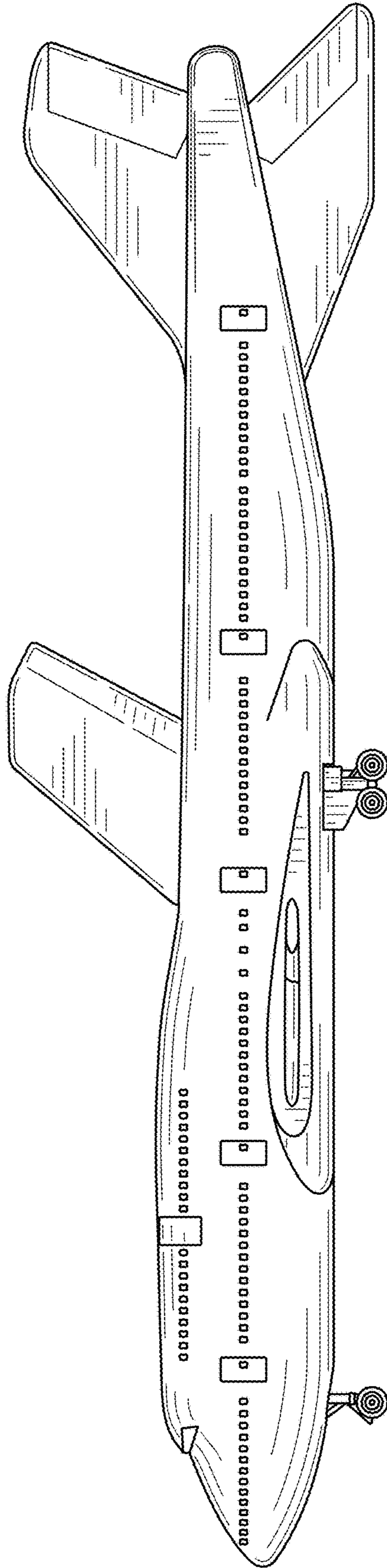


FIG. 4

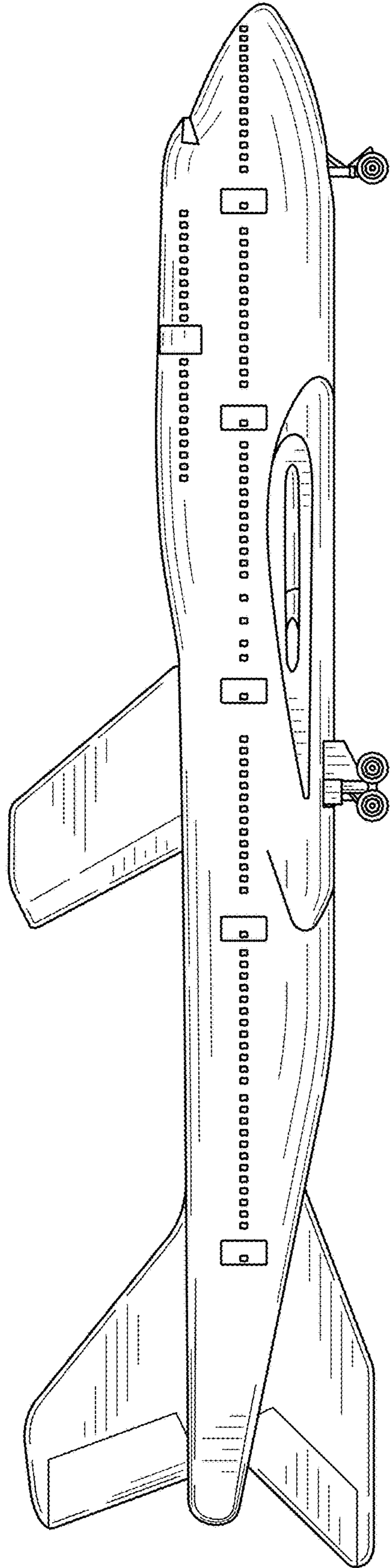


FIG. 5

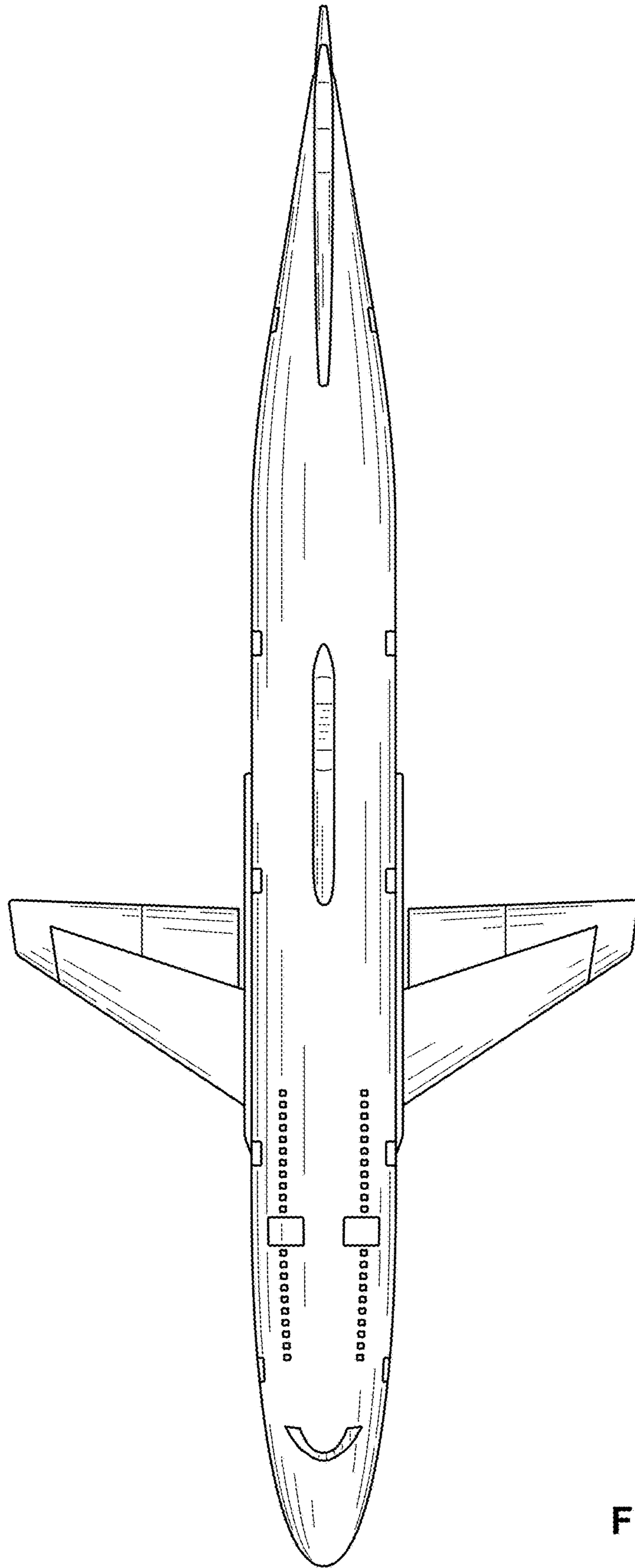


FIG. 6

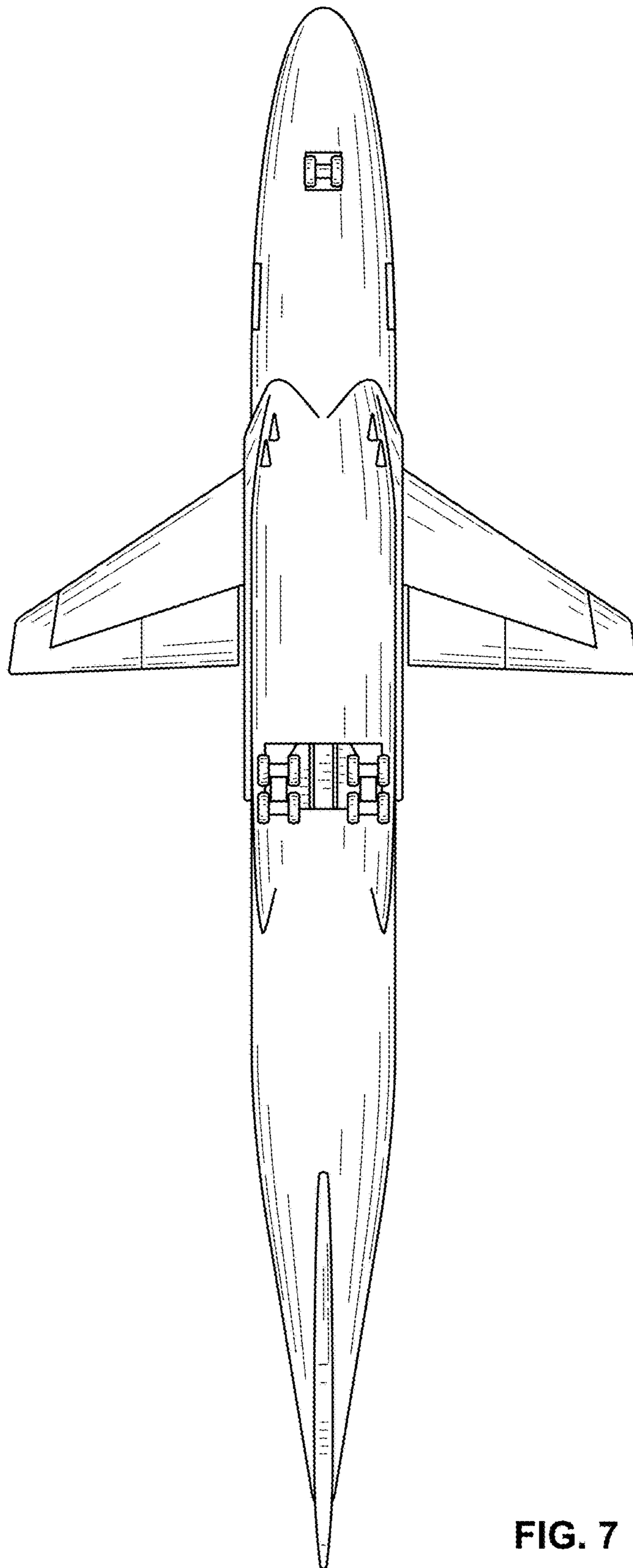


FIG. 7

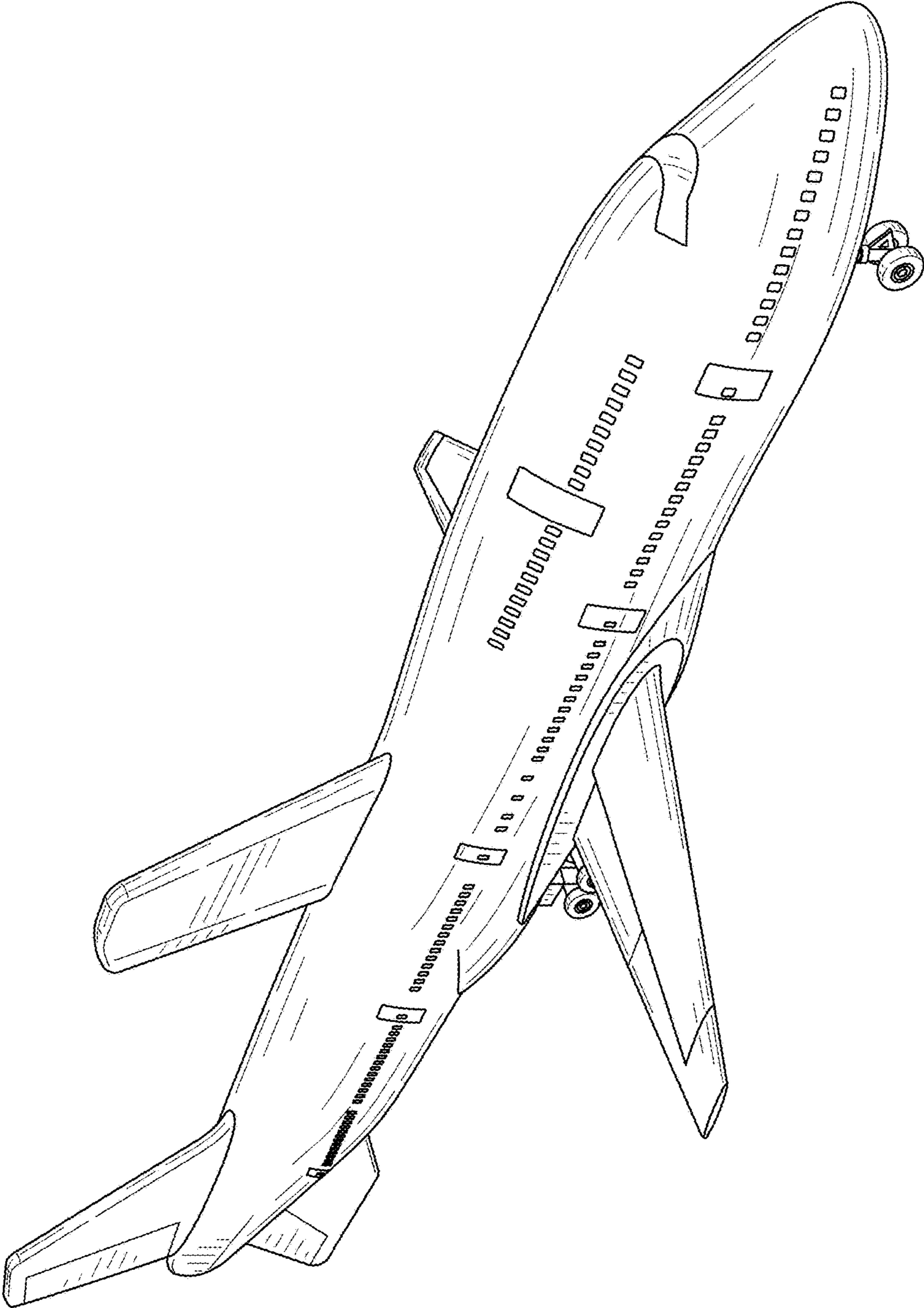


FIG. 8

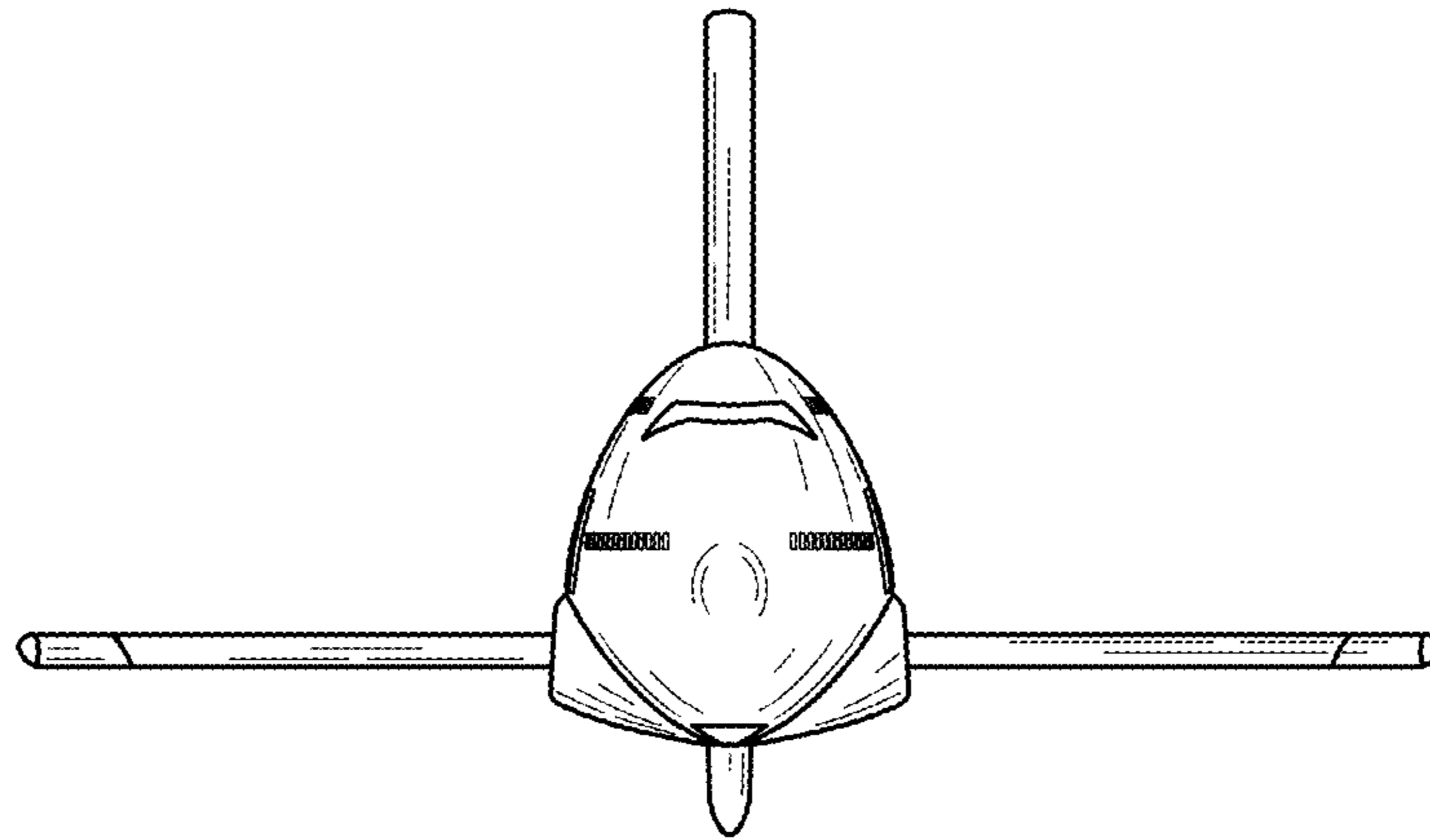


FIG. 9

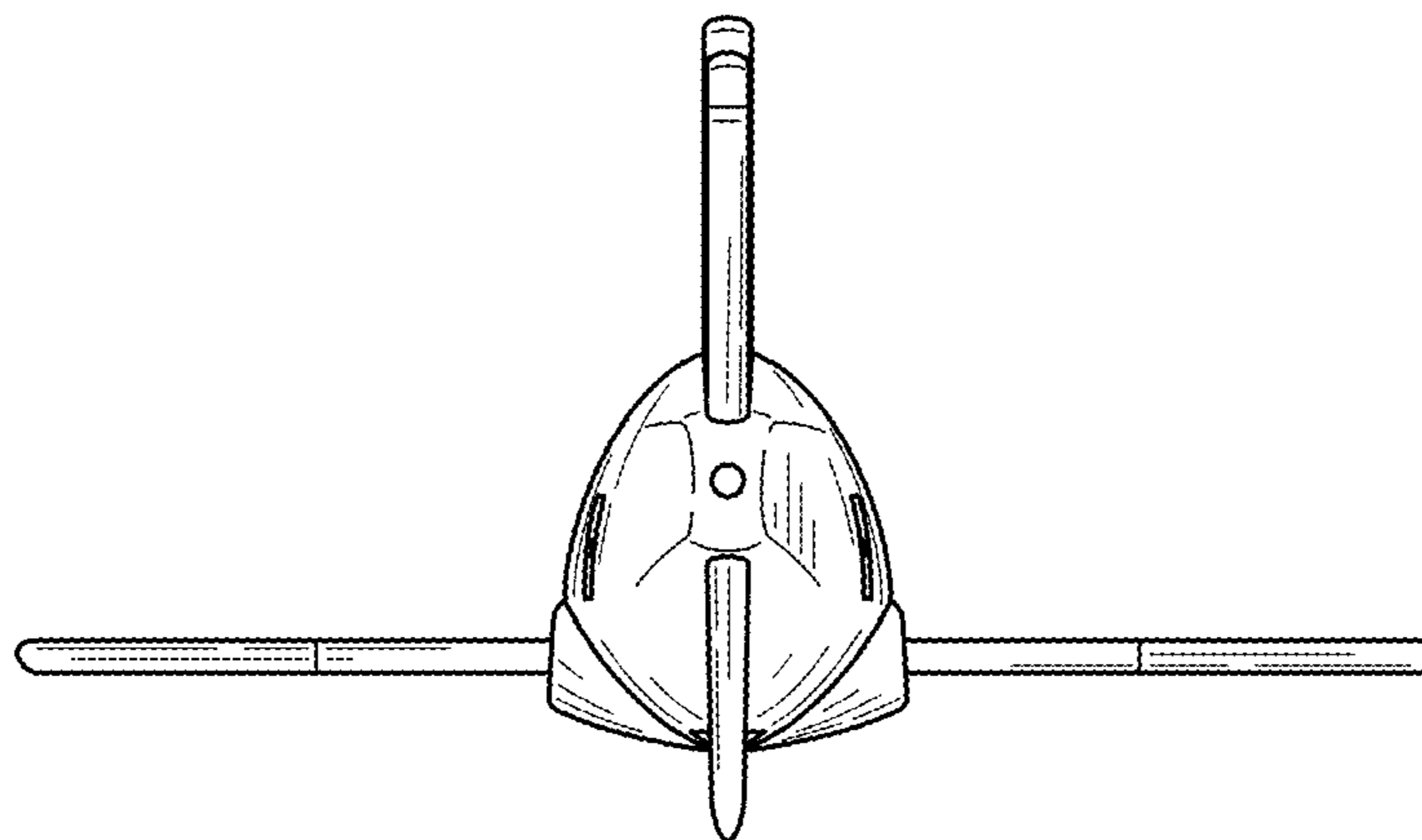


FIG. 10

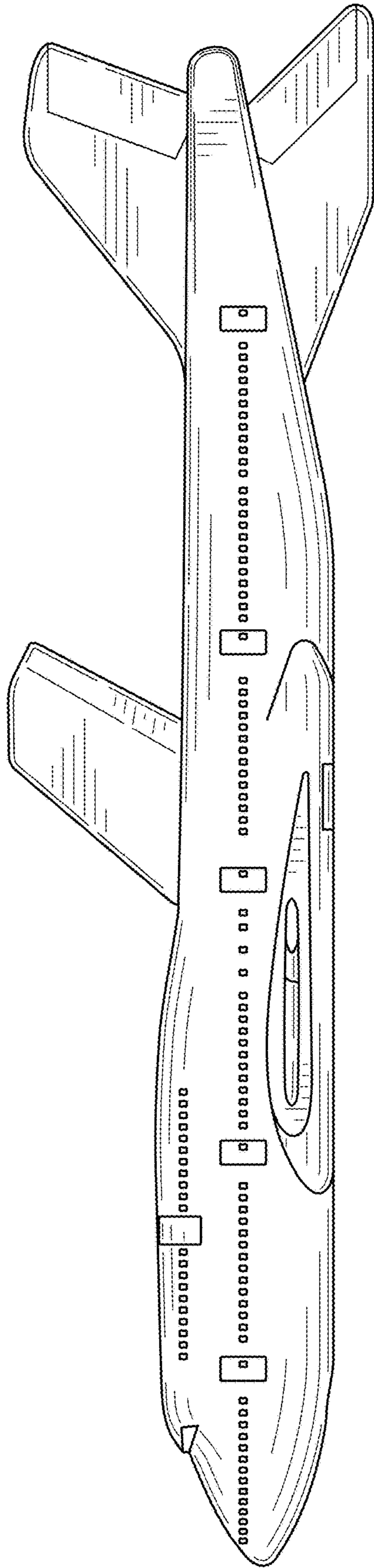


FIG. 11

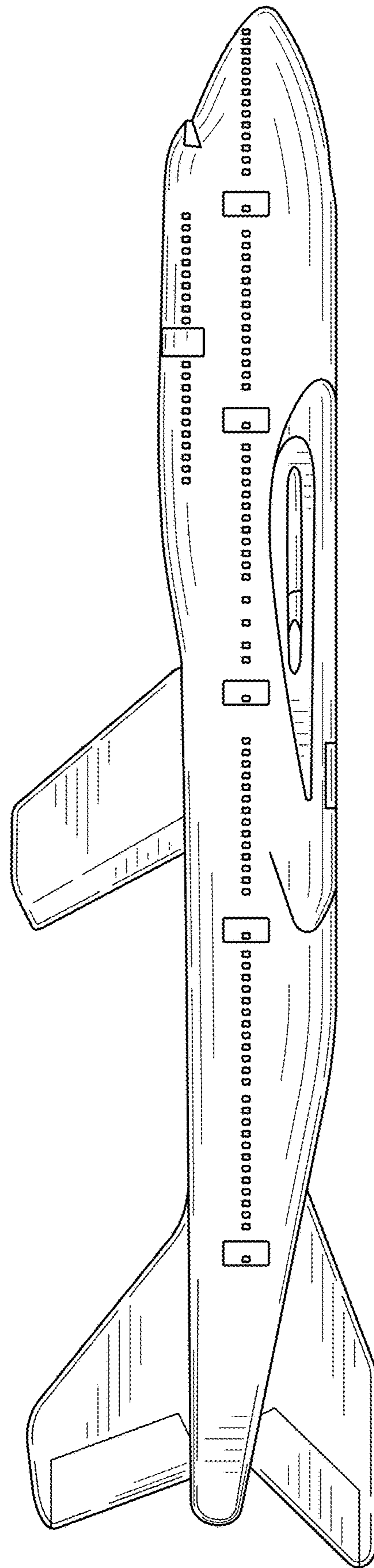


FIG. 12

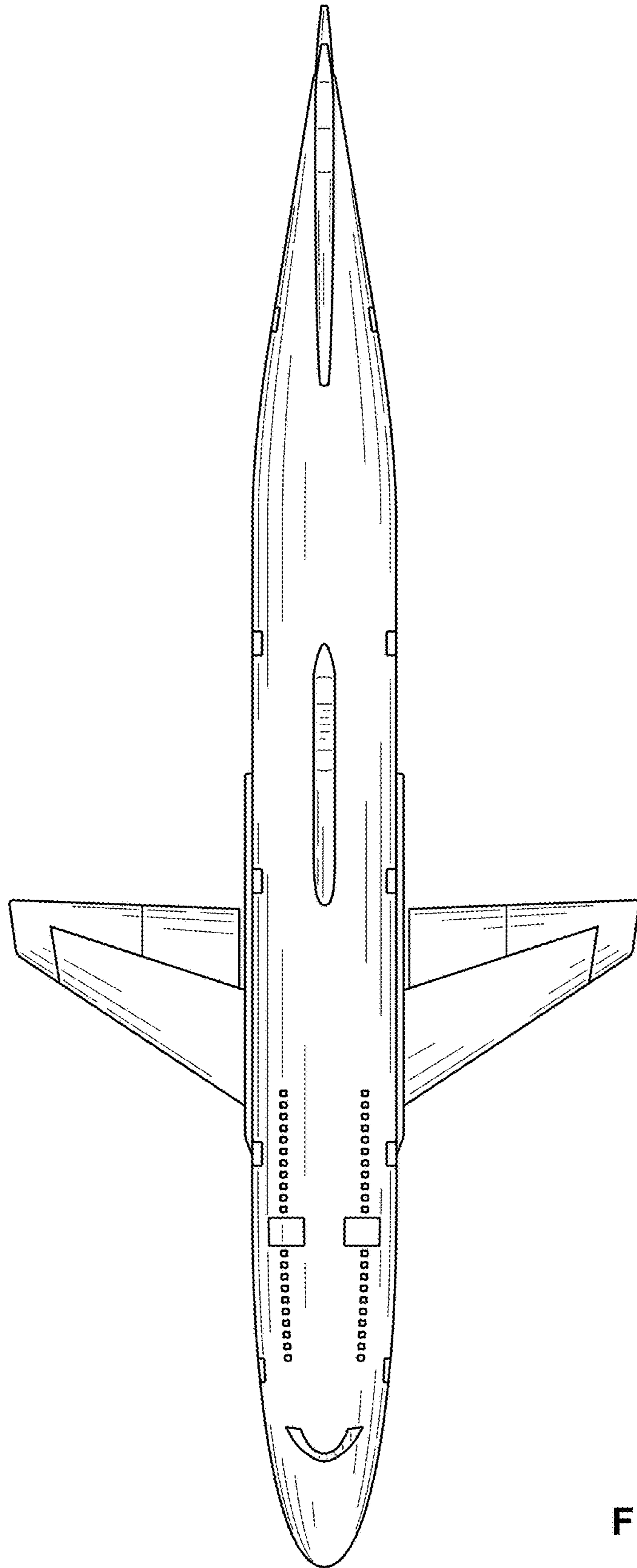


FIG. 13

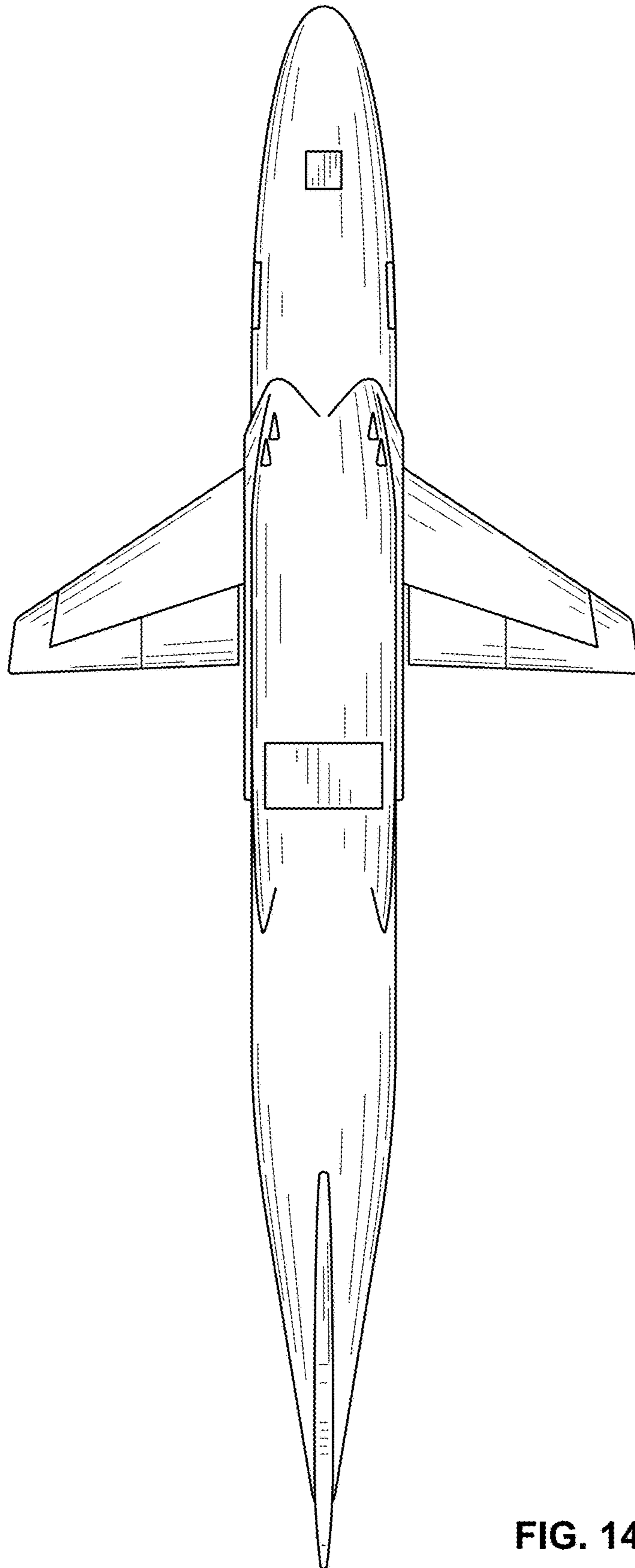


FIG. 14