

US00D809991S

(12) **United States Design Patent** (10) **Patent No.:** **US D809,991 S**  
**Giordano et al.** (45) **Date of Patent:** **\*\* Feb. 13, 2018**

(54) **ADJUSTABLE AFTERMARKET  
AUTOMOTIVE MOUNT**

(71) Applicants: **Michael A. Giordano**, Rohnert Park,  
CA (US); **Sebastien Jame**, Sebastopol,  
CA (US)

(72) Inventors: **Michael A. Giordano**, Rohnert Park,  
CA (US); **Sebastien Jame**, Sebastopol,  
CA (US)

(73) Assignee: **J28 Design, Inc.**, Cotati, CA (US)

(\*\*) Term: **15 Years**

(21) Appl. No.: **29/580,576**

(22) Filed: **Oct. 11, 2016**

(51) **LOC (11) Cl.** ..... **12-06**

(52) **U.S. Cl.**  
USPC ..... **D12/223**; D12/415

(58) **Field of Classification Search**  
USPC ..... D8/14, 71, 72, 73, 106, 349, 354, 355,  
D8/382, 394, 396, 499; D12/223, 400,  
D12/188, 187, 415, 418; D14/432, 433,  
D14/483, 217, 251, 256, 299  
CPC .... B60R 7/00; B60R 7/04; B60R 7/08; B60R  
2011/0003; B60R 2011/0005; B60R  
2011/0026; B60R 2011/0033; B60R  
2011/008; B60R 11/04  
See application file for complete search history.

(56) **References Cited**

**U.S. PATENT DOCUMENTS**

5,826,836 A \* 10/1998 Gallichan ..... B60K 37/04  
248/231.9  
D475,013 S \* 5/2003 Grimm ..... D13/133

D576,026 S \* 9/2008 Mazzocco ..... D8/382  
D625,580 S \* 10/2010 Giordano ..... D8/349  
D702,530 S \* 4/2014 Hasegawa ..... D8/349  
D749,558 S \* 2/2016 Nielsen ..... D14/251  
D758,951 S \* 6/2016 Unterlechner ..... D12/415  
D761,101 S \* 7/2016 Seo ..... D8/396  
D777,021 S \* 1/2017 Dew ..... D8/394  
D782,294 S \* 3/2017 Dordick ..... D8/396  
D782,901 S \* 4/2017 Richter ..... D8/355  
D794,421 S \* 8/2017 Moon ..... D8/349  
2014/0204218 A1 \* 7/2014 Gebhard ..... F21V 21/30  
348/164  
2014/0263509 A1 \* 9/2014 Oquendo ..... B62J 11/00  
224/447

\* cited by examiner

*Primary Examiner* — Sandra S Snapp

*Assistant Examiner* — Ieisha N Price

(74) *Attorney, Agent, or Firm* — Bay Area Technology  
Law Group PC

(57) **CLAIM**

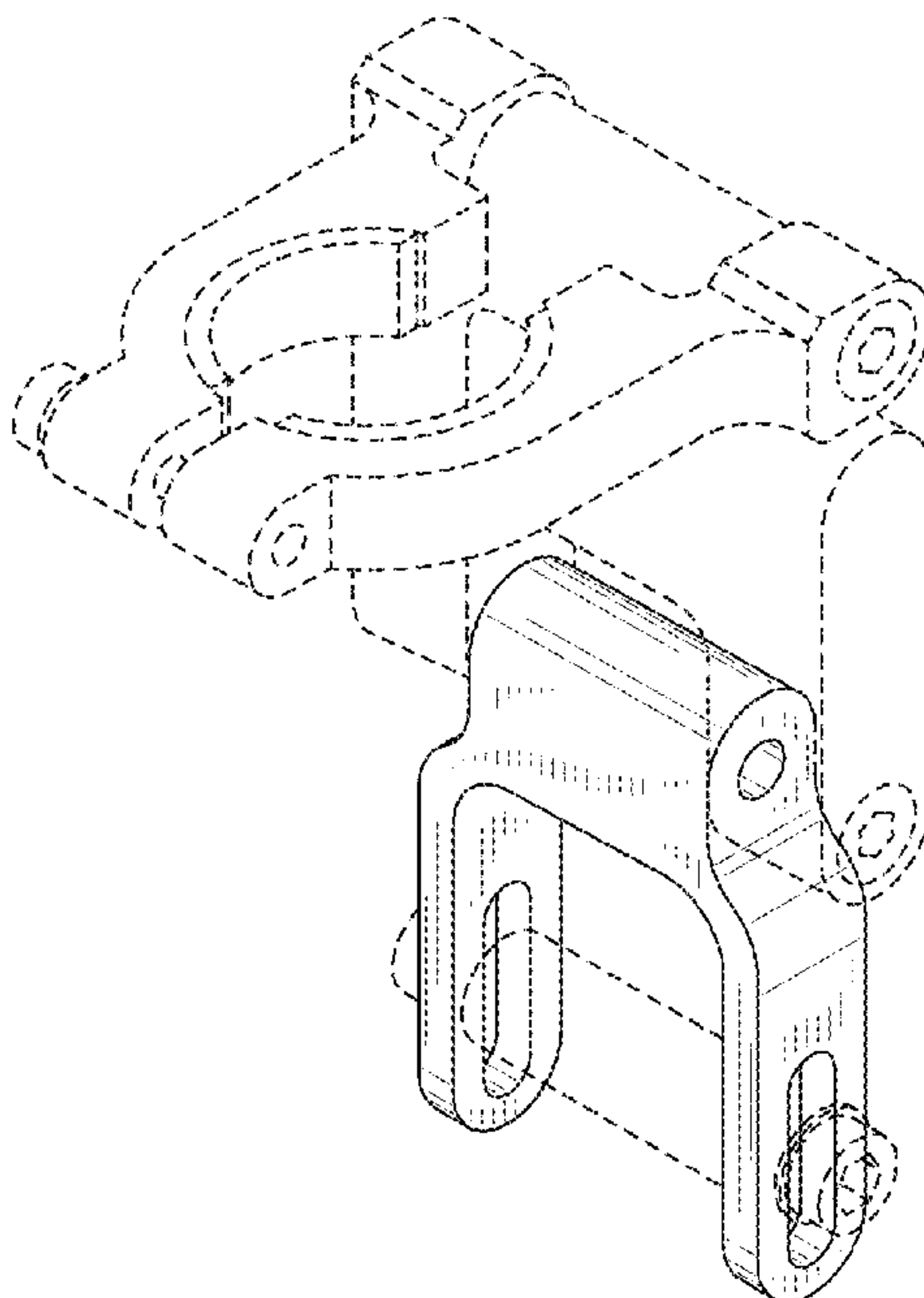
The ornamental design for an adjustable aftermarket auto-  
motive mount, as shown and described.

**DESCRIPTION**

FIG. 1 is a perspective view of an adjustable aftermarket  
automotive mount showing our new design;  
FIG. 2 is a front view of FIG. 1;  
FIG. 3 is a back view of FIG. 1;  
FIG. 4 is a left side view of FIG. 1;  
FIG. 5 is a right side view of FIG. 1;  
FIG. 6 is a top view of FIG. 1; and,  
FIG. 7 is a bottom view of FIG. 1.

The broken lines depict environment subject matter and  
form no part of the claimed design.

**1 Claim, 3 Drawing Sheets**



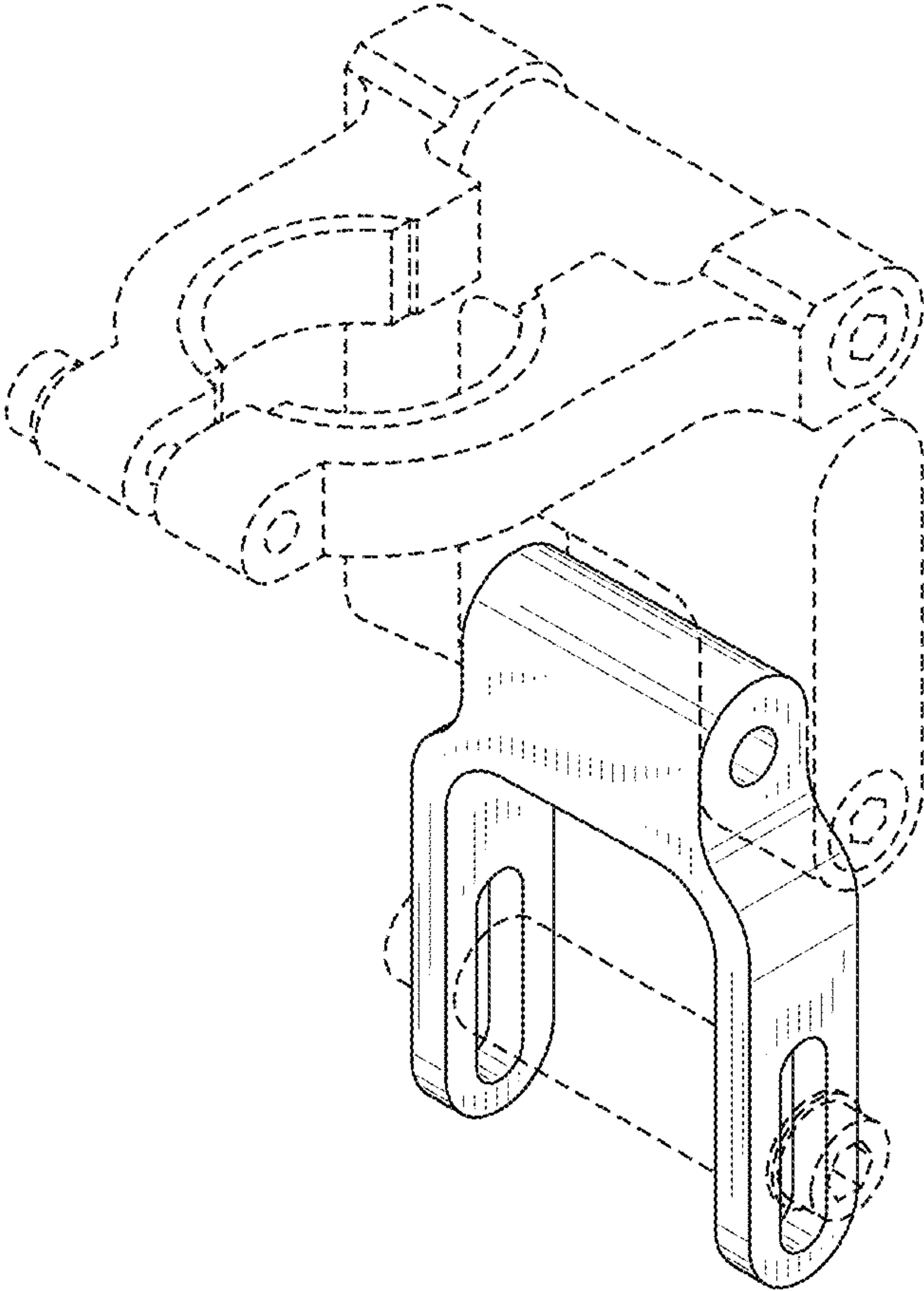


FIG. 1

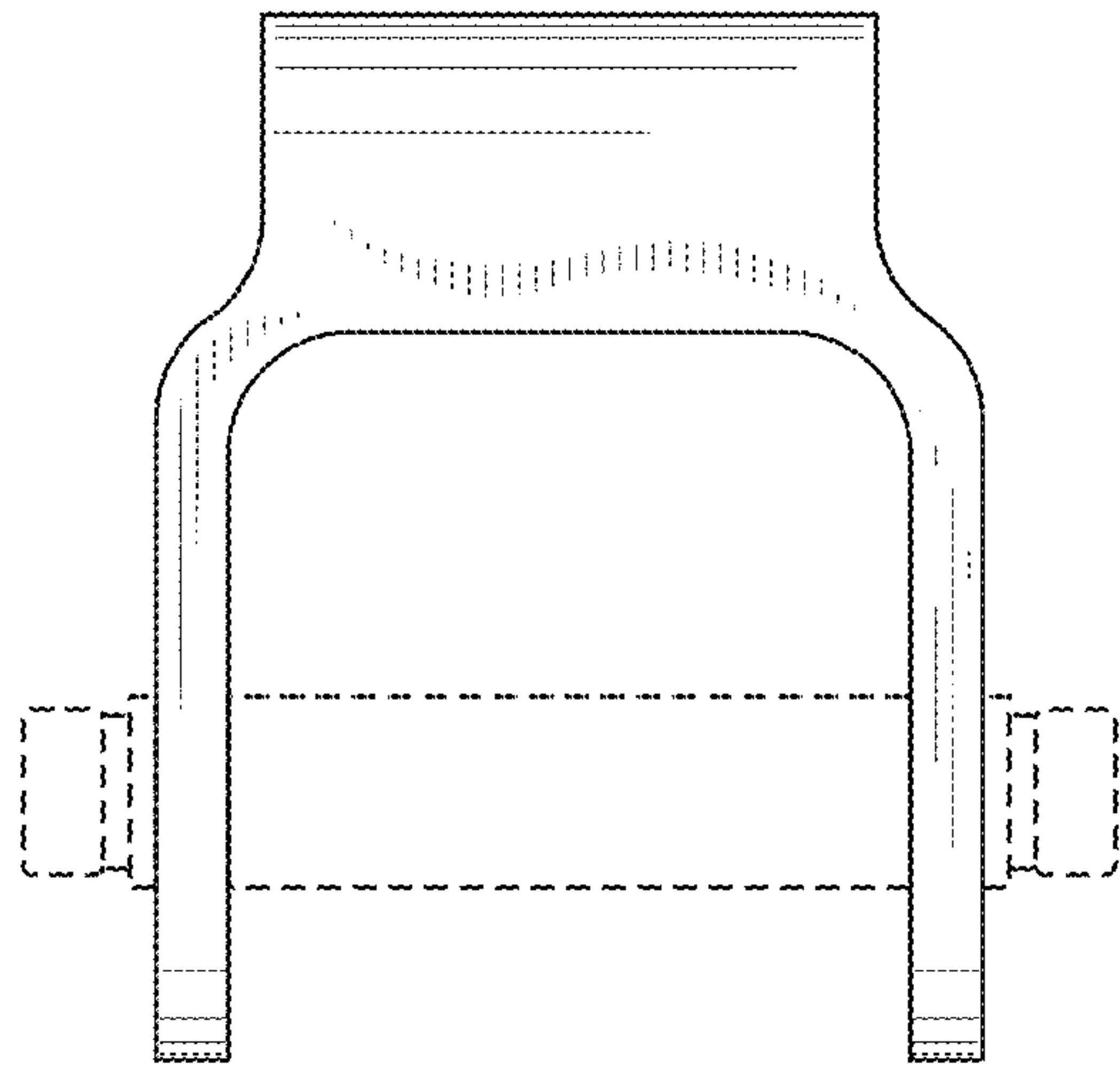


FIG. 2

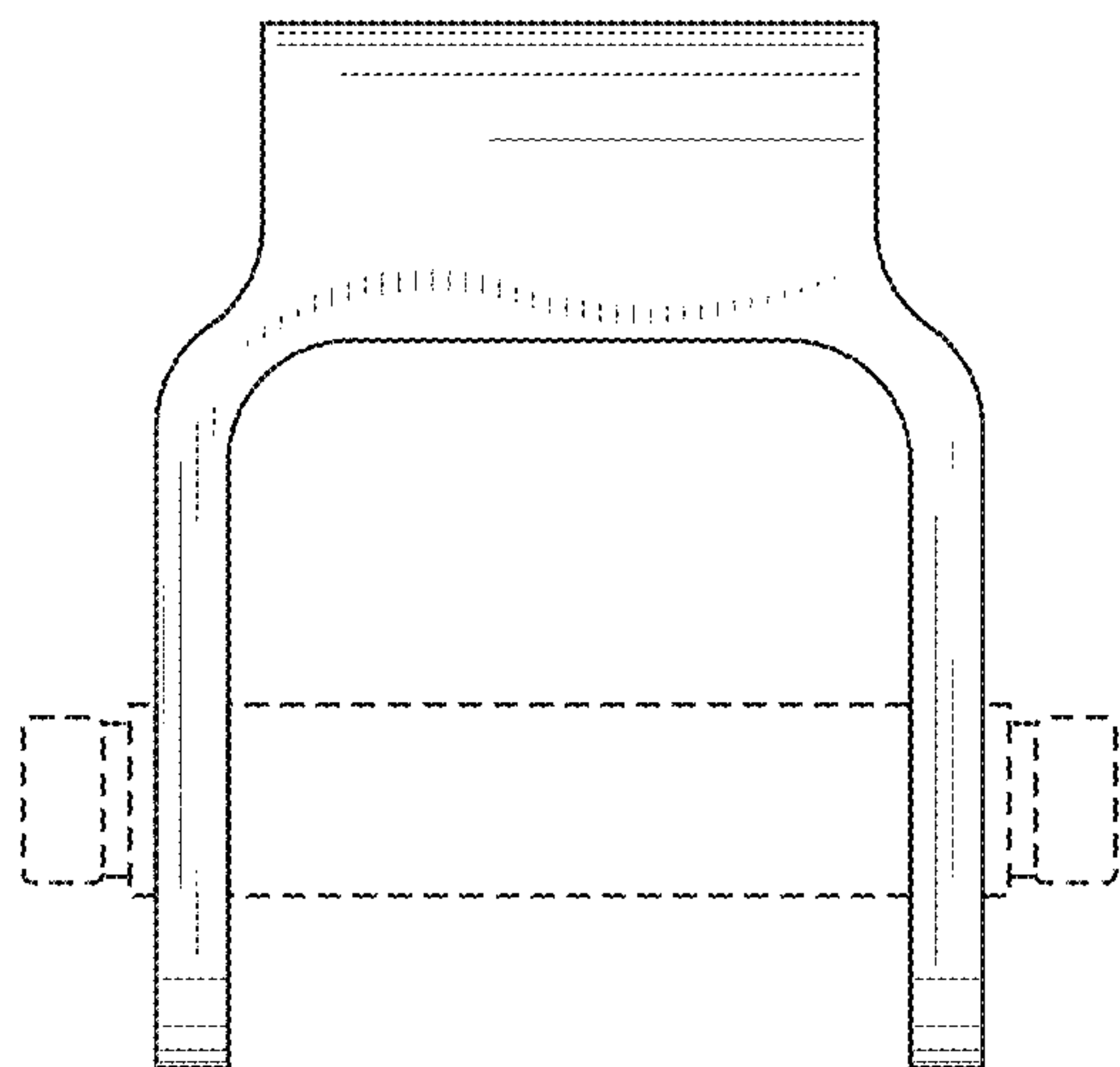
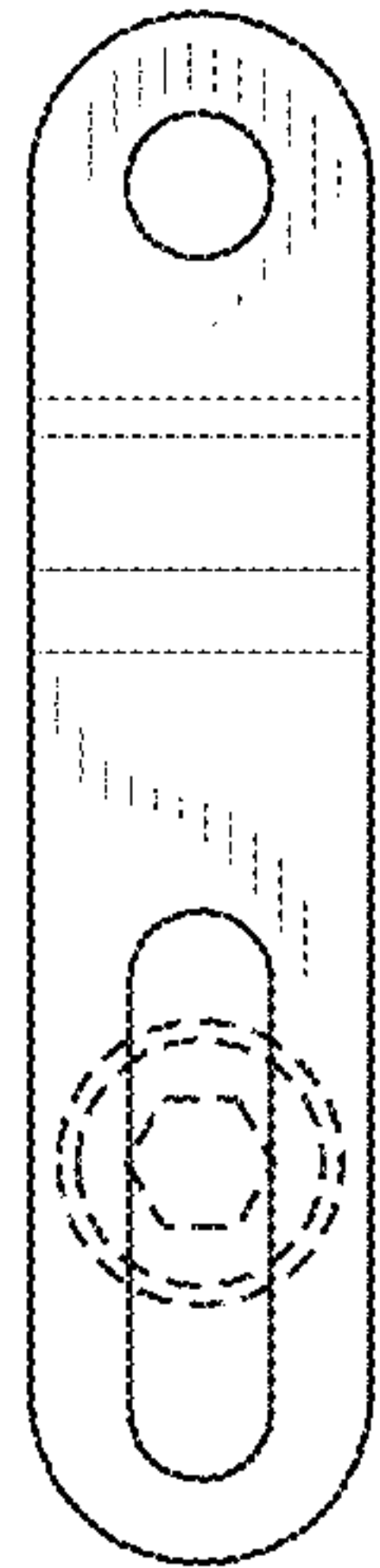
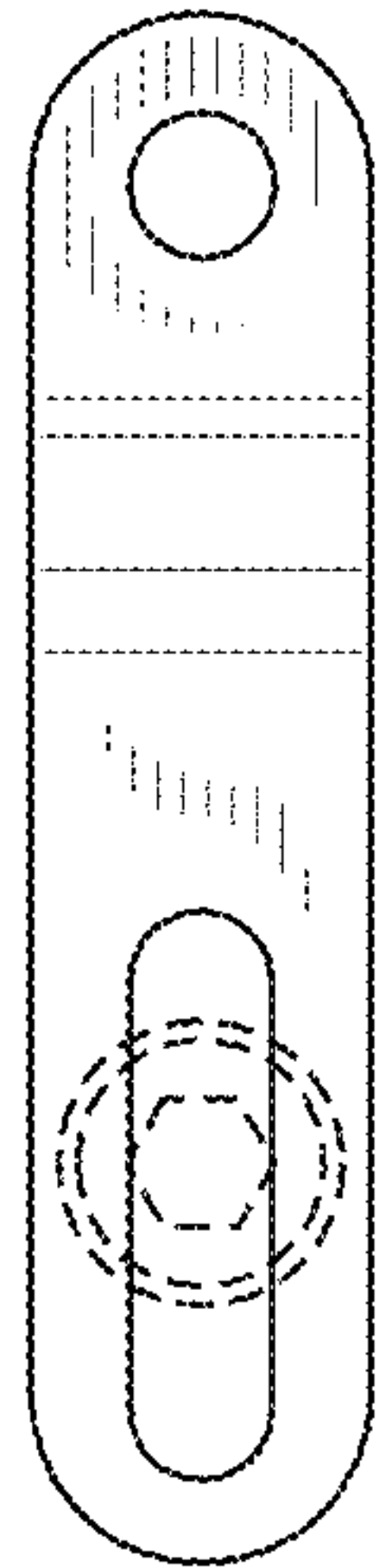


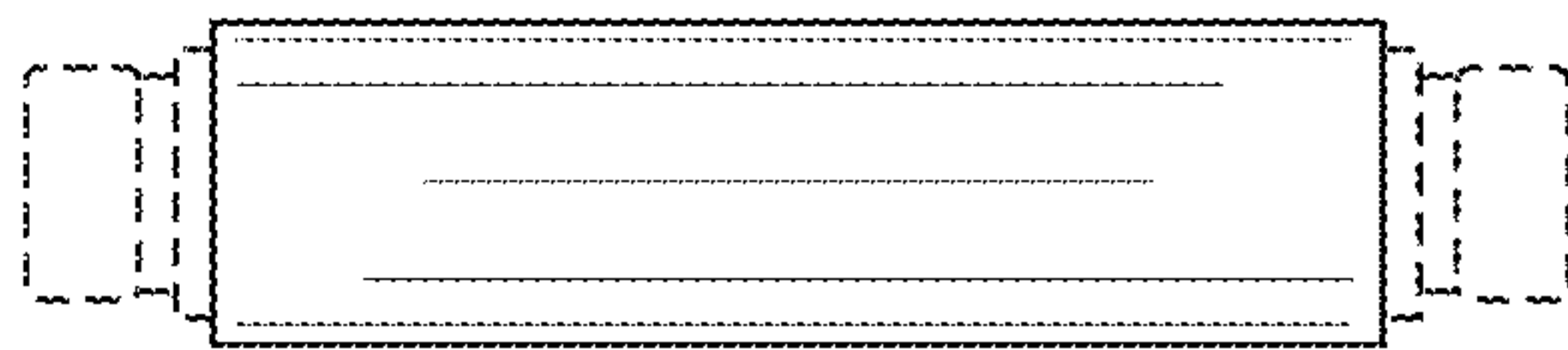
FIG. 3



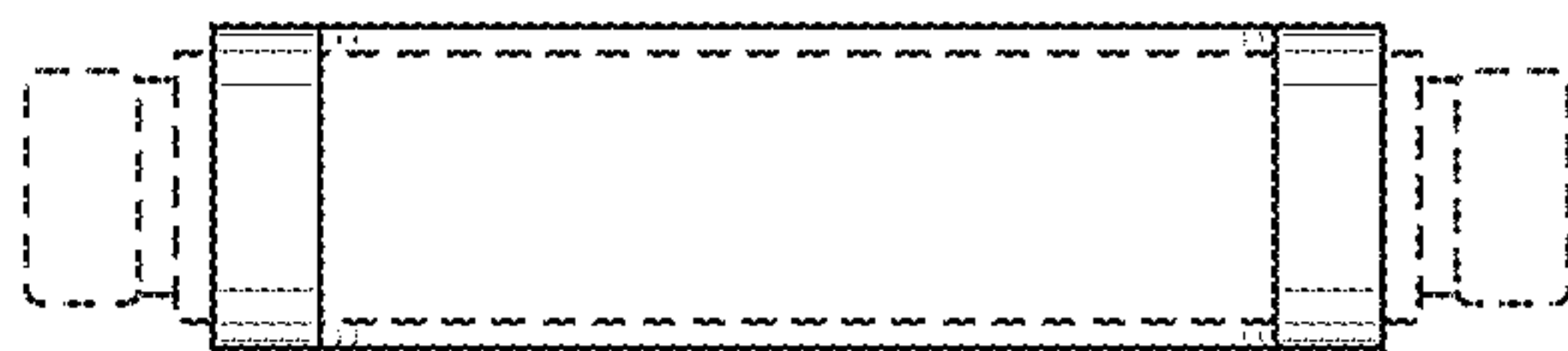
**FIG. 4**



**FIG. 5**



**FIG. 6**



**FIG. 7**