



US00D809990S

(12) **United States Design Patent** (10) **Patent No.:** **US D809,990 S**
Schlup, Jr. et al. (45) **Date of Patent:** **** Feb. 13, 2018**

(54) **HEADACHE RACK**
(71) Applicant: **Full Vision, Inc.**, Newton, KS (US)
(72) Inventors: **Kenneth G. Schlup, Jr.**, Newton, KS (US); **Scott Marshall**, Hutchinson, KS (US)
(73) Assignee: **Full Vision, Inc.**, Newton, KS (US)
(**) Term: **15 Years**
(21) Appl. No.: **29/553,401**
(22) Filed: **Feb. 1, 2016**
(51) **LOC (11) Cl.** **12-16**
(52) **U.S. Cl.**
USPC **D12/222**
(58) **Field of Classification Search**
USPC D12/222, 401-414; D6/610-611
CPC B60J 1/20; B60R 21/02; B60R 9/045
See application file for complete search history.

Primary Examiner — Katrina A Betton
(74) *Attorney, Agent, or Firm* — Hovey Williams LLP

(57) **CLAIM**

The ornamental design for a headache rack, as shown and described.

DESCRIPTION

FIG. 1 is a rear perspective view of a headache rack showing our new design;
FIG. 2 is a front perspective view of the headache rack shown in FIG. 1;
FIG. 3 is a rear elevation view of the headache rack shown in FIGS. 1 and 2;
FIG. 4 is a right side elevation view of the headache rack shown in FIGS. 1-3, with the left side elevation view being a mirror image thereof;
FIG. 5 is a front elevation view of the headache rack shown in FIGS. 1-4;
FIG. 6 is a top elevation view of the headache rack shown in FIGS. 1-5;
FIG. 7 is a bottom elevation view of the headache rack shown in FIGS. 1-6;
FIG. 8 is a rear perspective view of a headache rack similar to FIG. 1, but showing an alternative internal panel and grate design, which is depicted in broken lines for illustrative purposes only and forming no part of the claimed design; and,
FIG. 9 is a front perspective view of the headache rack as shown in FIG. 8; FIGS. 1-8.
In the drawings, the broken lines depict portions of the article that form no part of the claimed design.

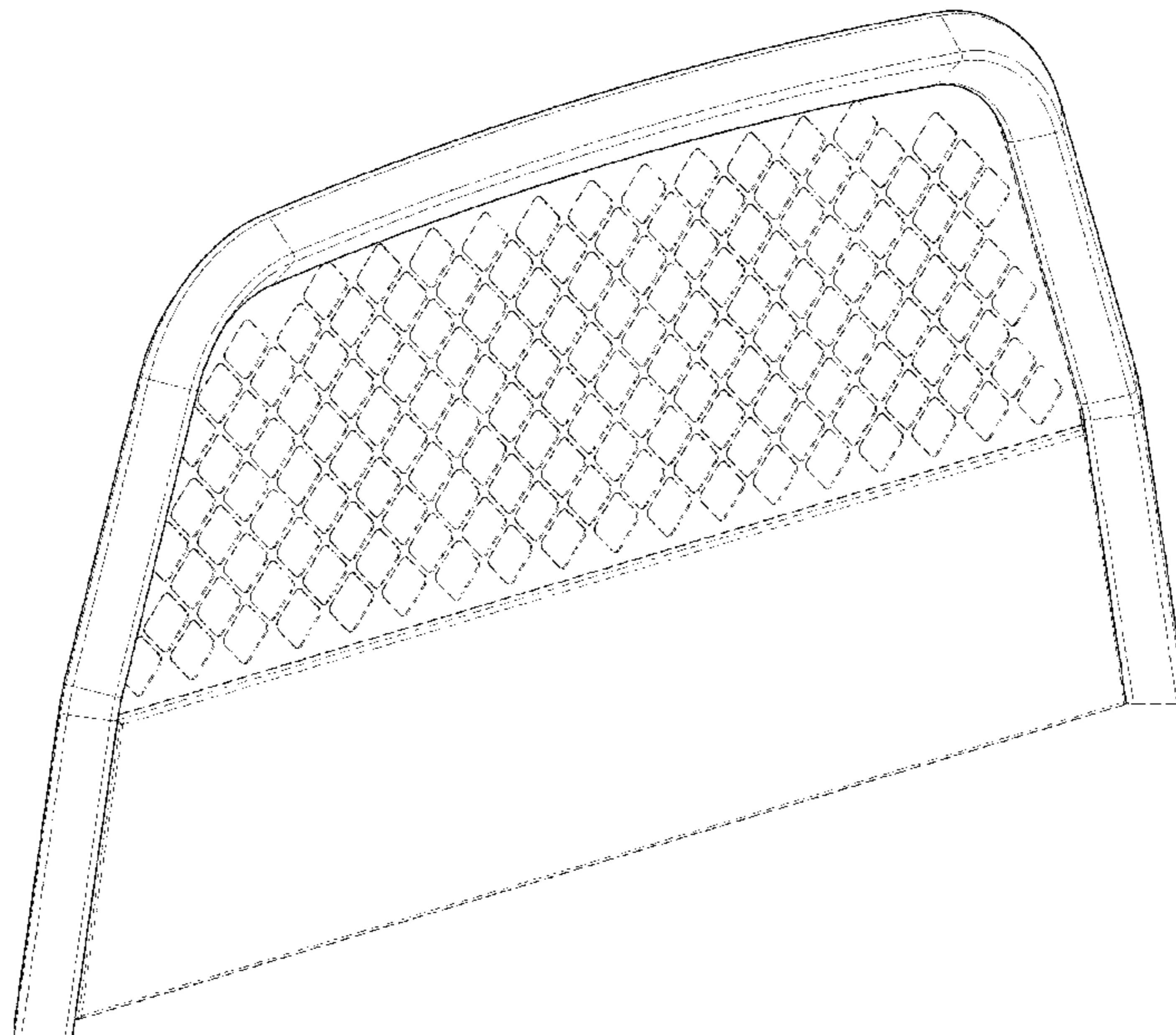
(56) **References Cited**

U.S. PATENT DOCUMENTS

2,289,366	A *	7/1942	Johnson	B66C 7/00 414/542
2,778,512	A *	1/1957	Strona	B66C 1/24 212/74
7,011,486	B2 *	3/2006	Dyer	B60P 1/54 212/180
7,413,394	B2 *	8/2008	Risser	B60P 1/5442 212/74
D624,005	S *	9/2010	Winner	D12/412
D695,675	S *	12/2013	Voglmayr	D12/414
D717,230	S *	11/2014	Fichter	D12/414
D722,007	S *	2/2015	Ting	D12/414
D765,577	S *	9/2016	Kmita	D12/412

* cited by examiner

1 Claim, 8 Drawing Sheets



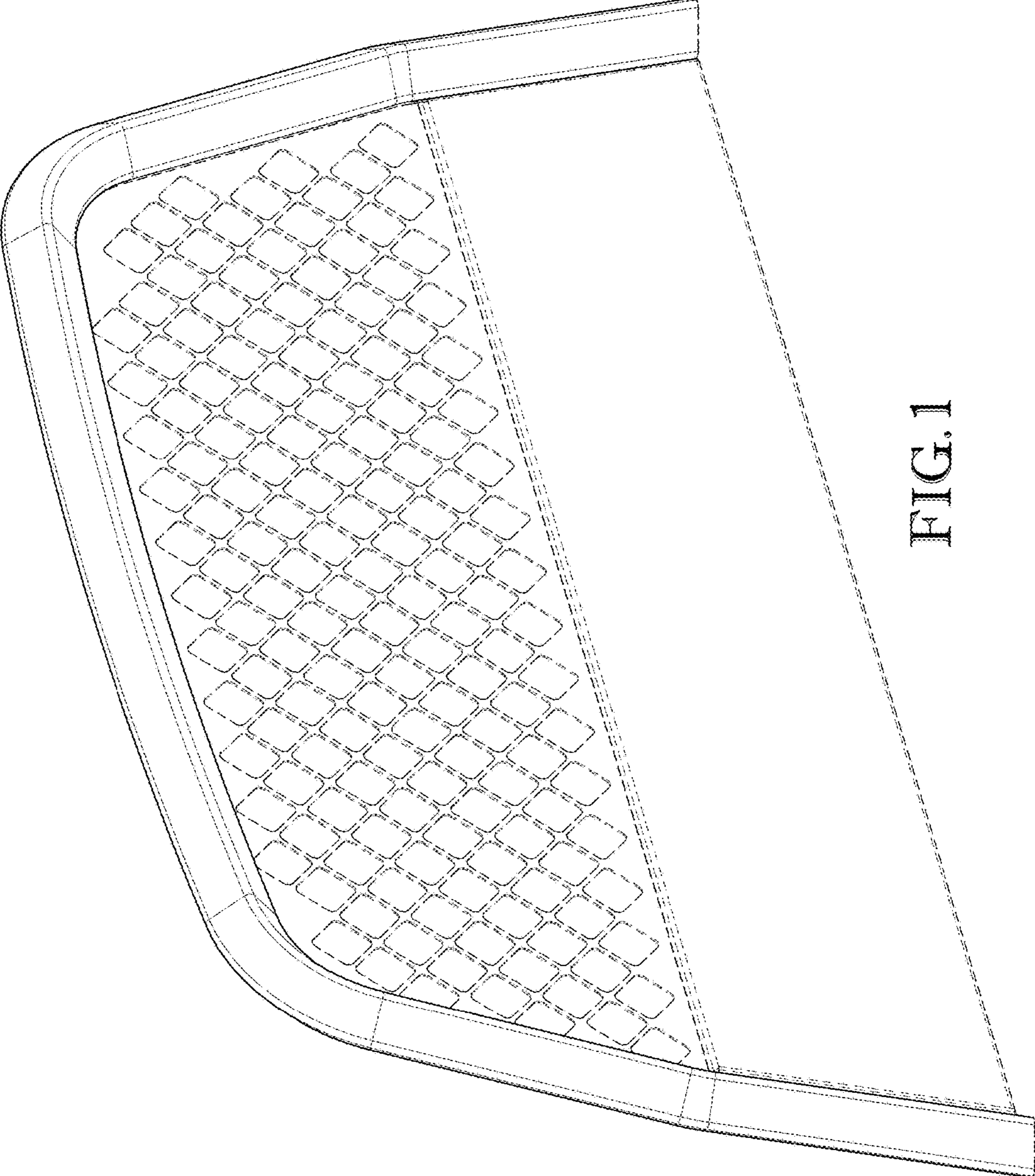


FIG. 1

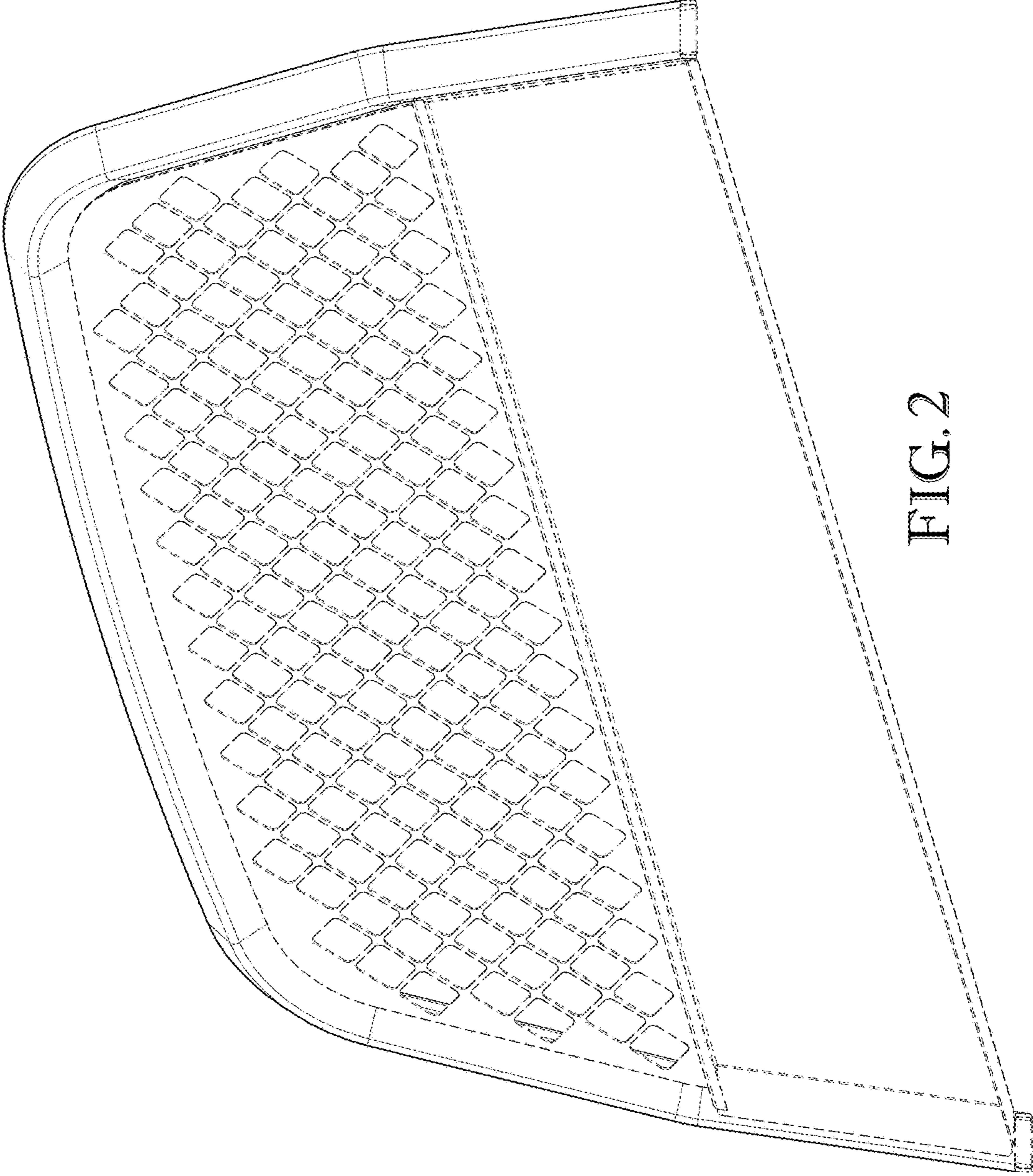


FIG. 2

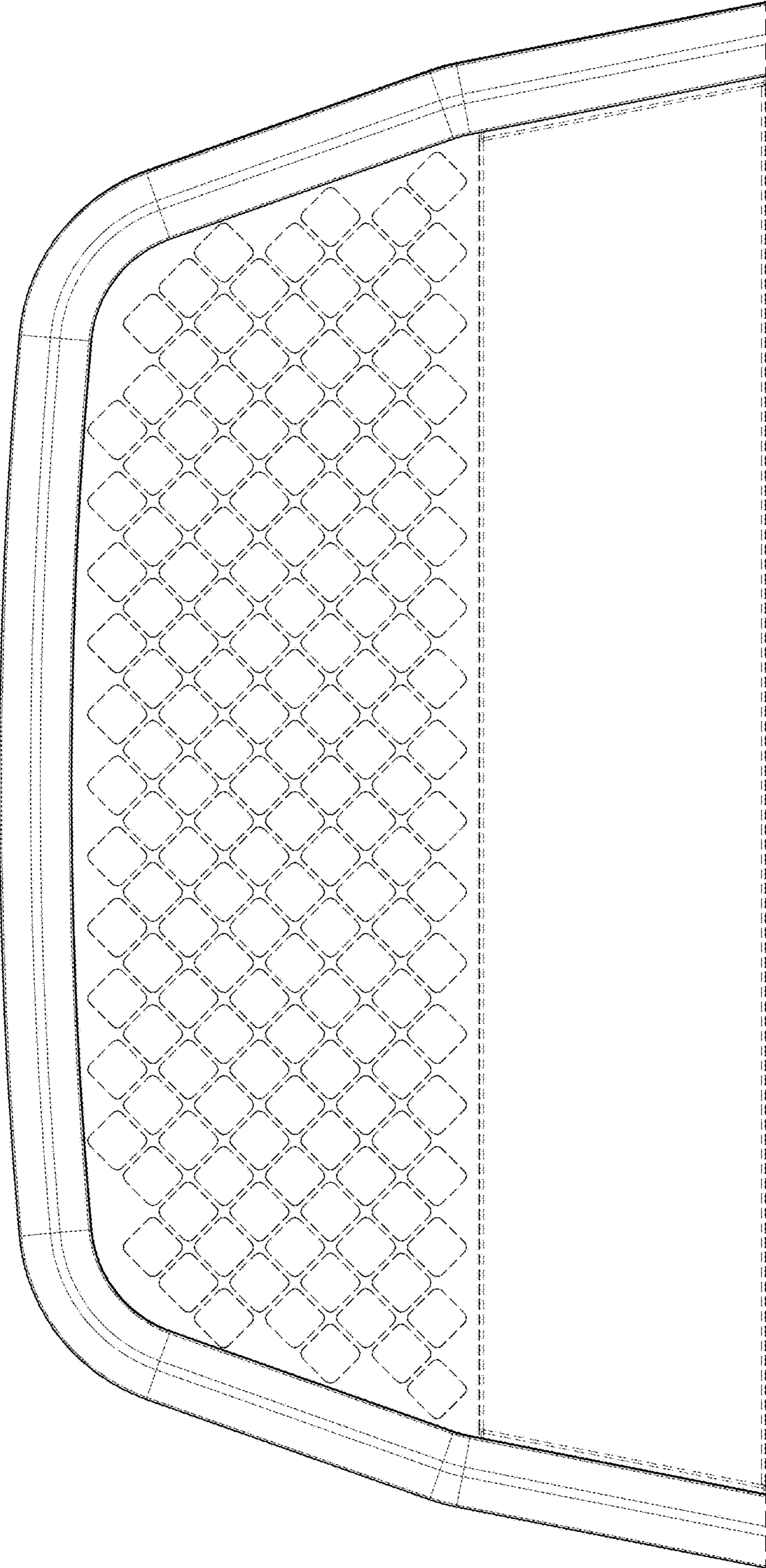


FIG. 3

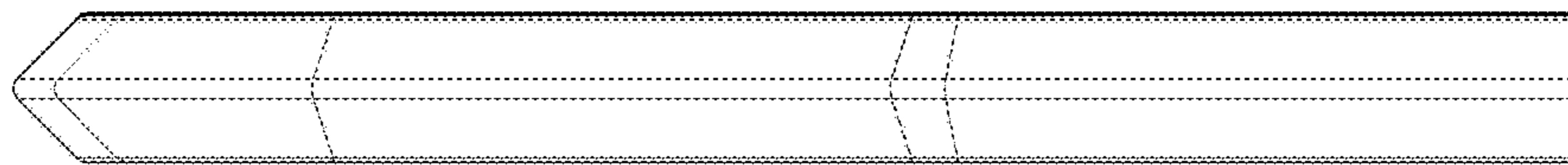


FIG. 4

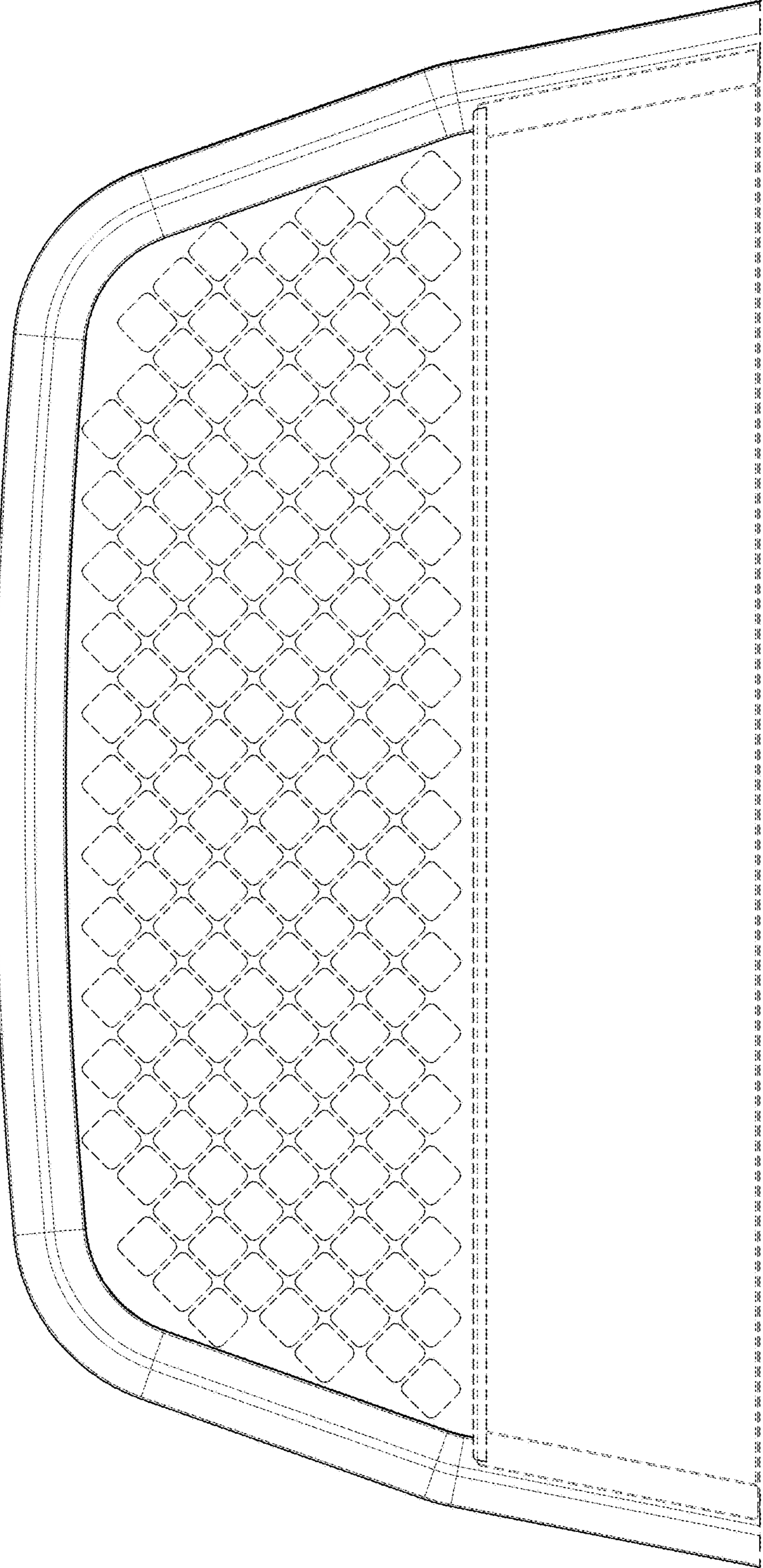


FIG. 5

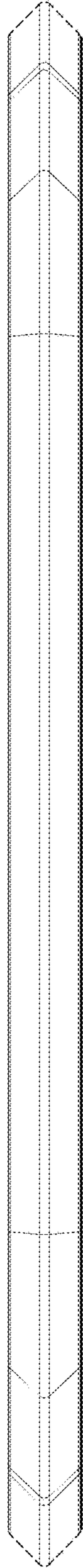


FIG. 6

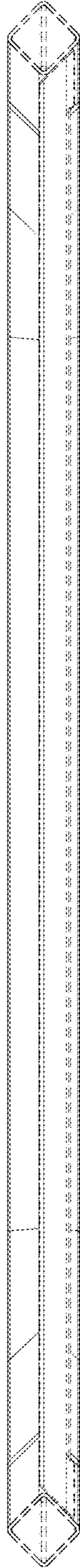


FIG. 7

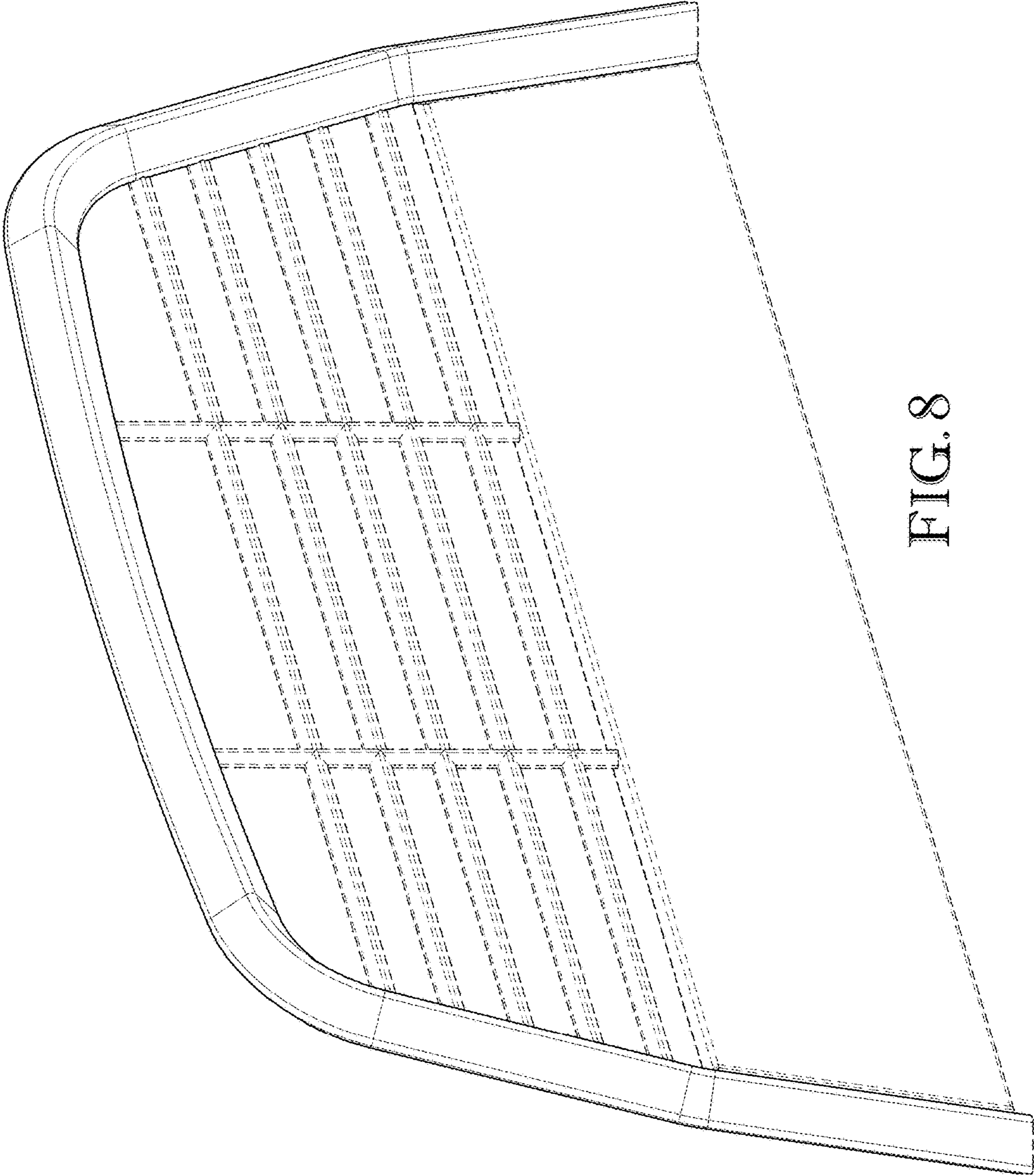


FIG. 8

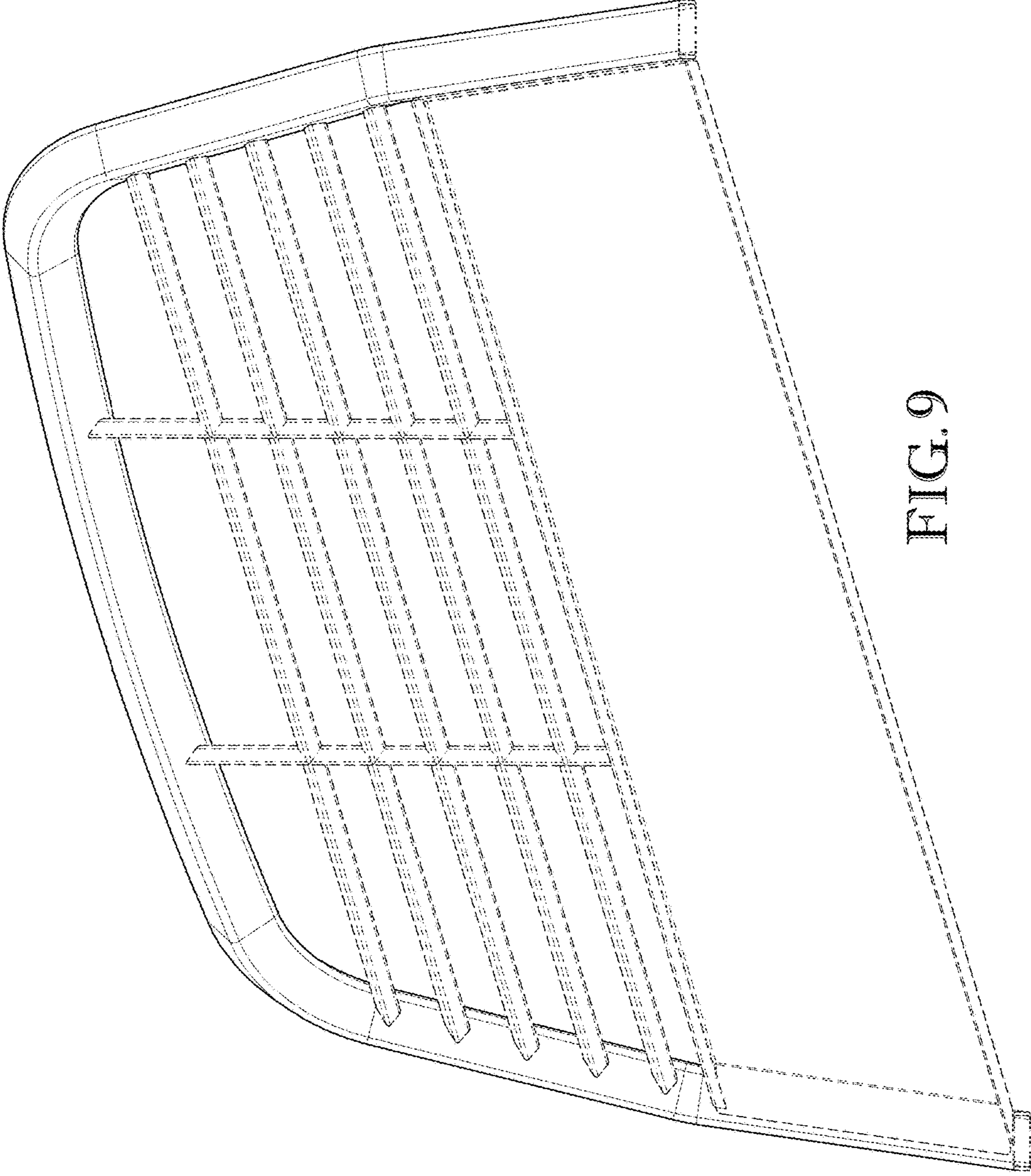


FIG. 9