



US00D809989S

(12) **United States Design Patent**  
**Lee et al.**

(10) **Patent No.:** **US D809,989 S**  
(45) **Date of Patent:** **\*\* Feb. 13, 2018**

(54) **ADAPTER FOR WINDSCREEN WIPER**

(71) Applicant: **CAP Corporation**, Gyeongsangbuk-do (KR)

(72) Inventors: **Sang Chul Lee**, Gyeongsangbuk-do (KR); **Seung Chul Hyun**, Gyeonggi-do (KR)

(73) Assignee: **CAP Corporation**, Gyeongsangbuk-do (KR)

(\*\*) Term: **15 Years**

(21) Appl. No.: **29/552,830**

(22) Filed: **Jan. 26, 2016**

(51) **LOC (11) Cl.** ..... **12-16**

(52) **U.S. Cl.**  
USPC ..... **D12/220**

(58) **Field of Classification Search**  
USPC ..... D12/219–220  
CPC ..... B60S 2001/3815; B60S 1/4003; B60S 1/3801  
See application file for complete search history.

(56) **References Cited**

**U.S. PATENT DOCUMENTS**

D704,619 S \* 5/2014 Kim ..... D12/220  
D705,156 S \* 5/2014 Lee ..... D12/220

D706,201 S \* 6/2014 Depondt ..... D12/220  
D725,022 S \* 3/2015 Poton ..... D12/220  
D725,023 S \* 3/2015 Poton ..... D12/220  
D725,024 S \* 3/2015 Poton ..... D12/220  
D725,025 S \* 3/2015 Poton ..... D12/220  
D725,026 S \* 3/2015 Poton ..... D12/220  
D727,238 S \* 4/2015 Lepper ..... D12/220  
D784,243 S \* 4/2017 Lee ..... D12/220  
D786,769 S \* 5/2017 Lee ..... D12/220

\* cited by examiner

*Primary Examiner* — Katrina A Betton

(74) *Attorney, Agent, or Firm* — Grossman Tucker Perreault & Pfleger, PLLC

(57) **CLAIM**

The ornamental design for the adapter for windscreen wiper, as shown and described.

**DESCRIPTION**

FIG. 1 is a top perspective view of an adaptor for windscreen wiper.

FIG. 2 is a front view thereof.

FIG. 3 is a rear view thereof.

FIG. 4 is a left side view thereof.

FIG. 5 is a right side view thereof.

FIG. 6 is a top plan view thereof; and,

FIG. 7 is a bottom plan view thereof.

**1 Claim, 7 Drawing Sheets**

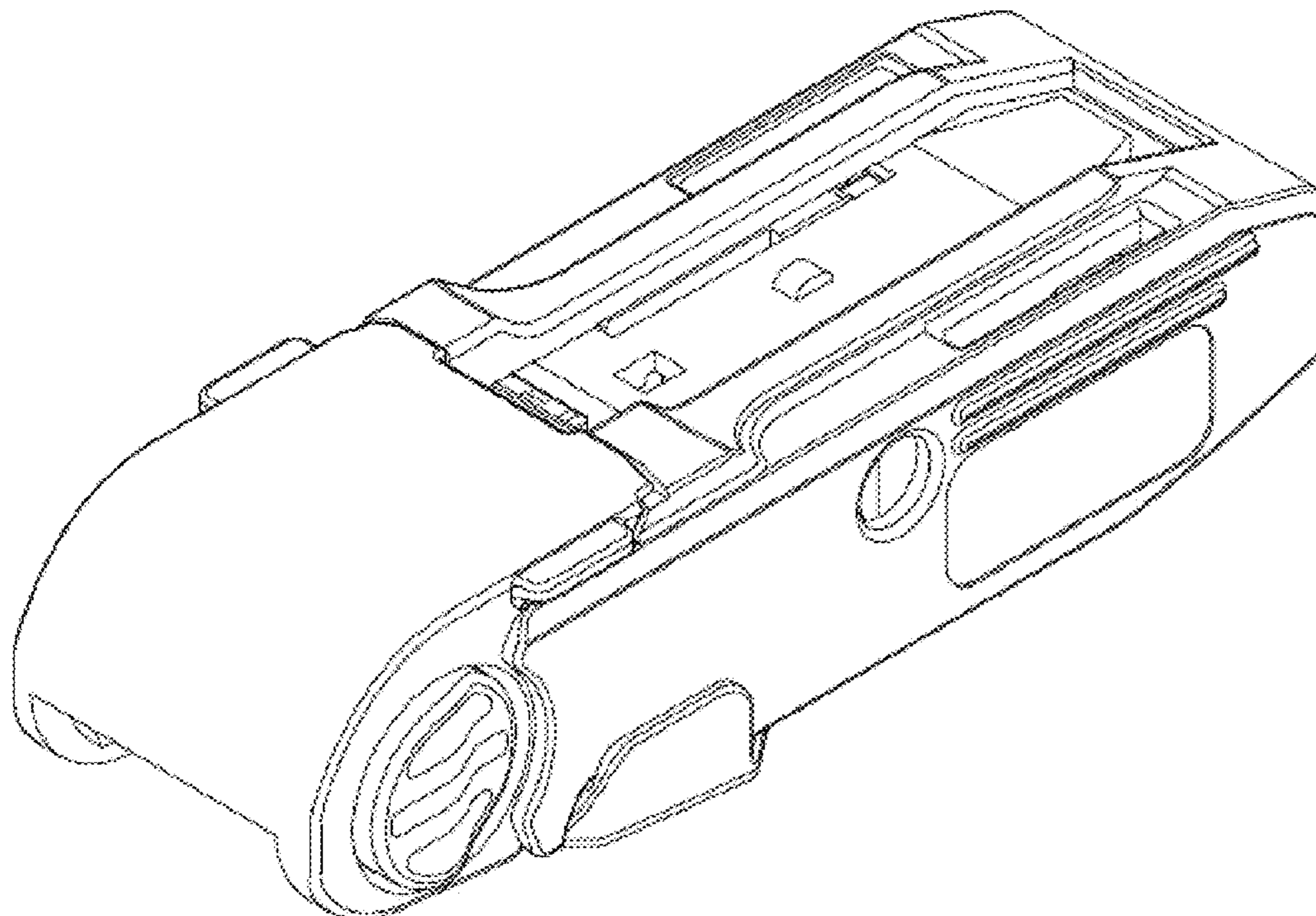


FIG. 1

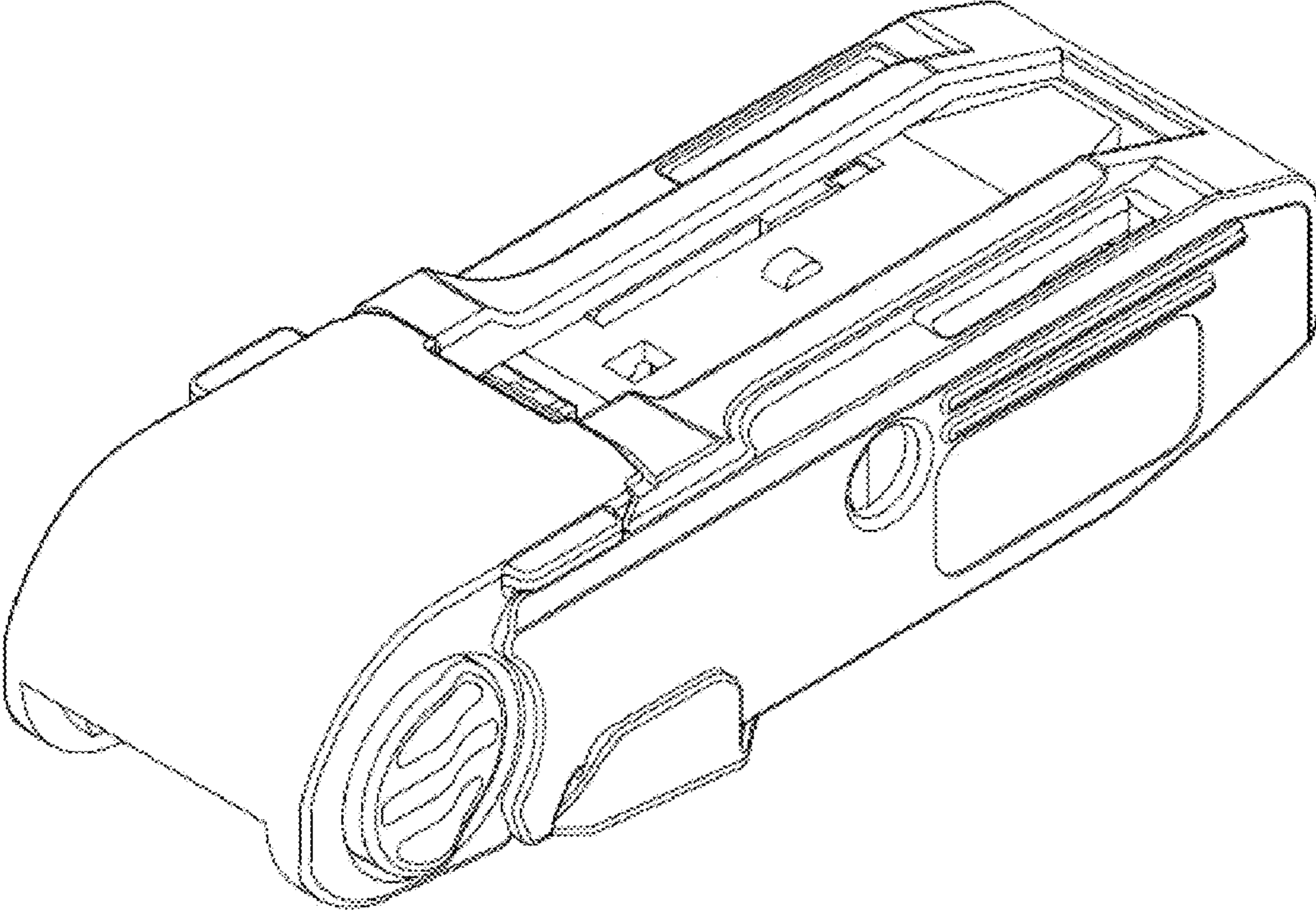


FIG. 2

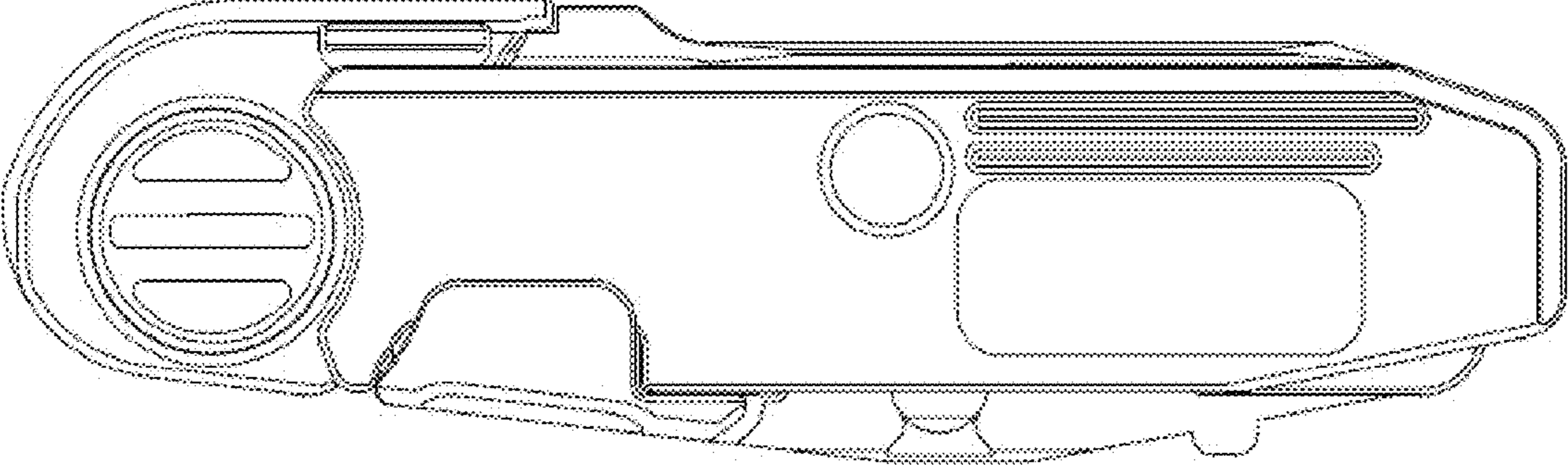


FIG. 3

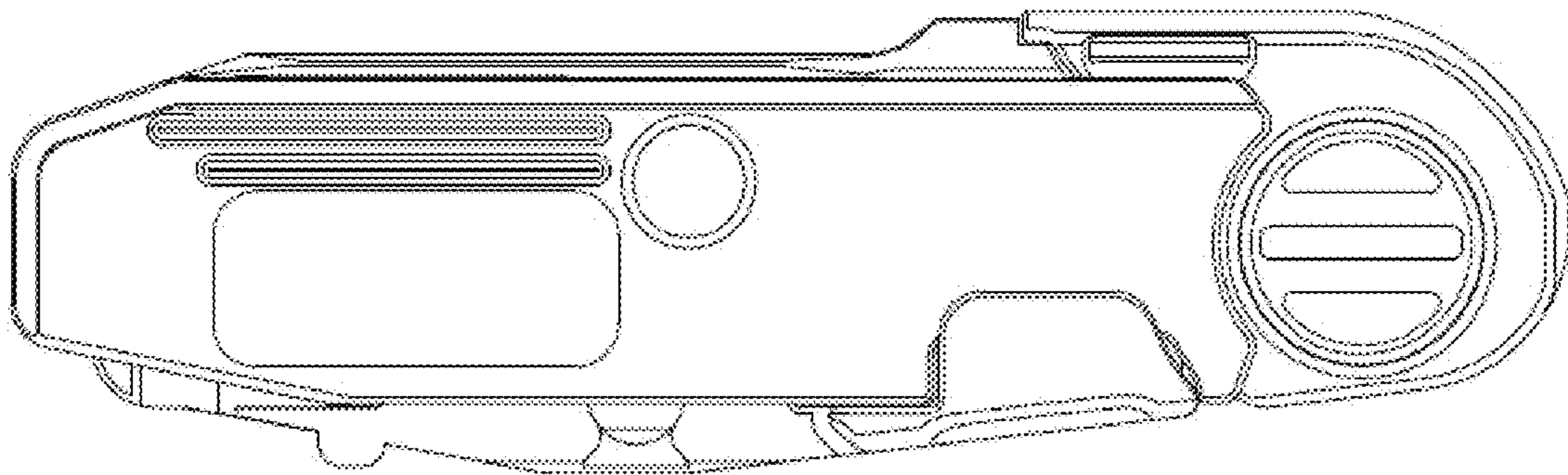


FIG. 4

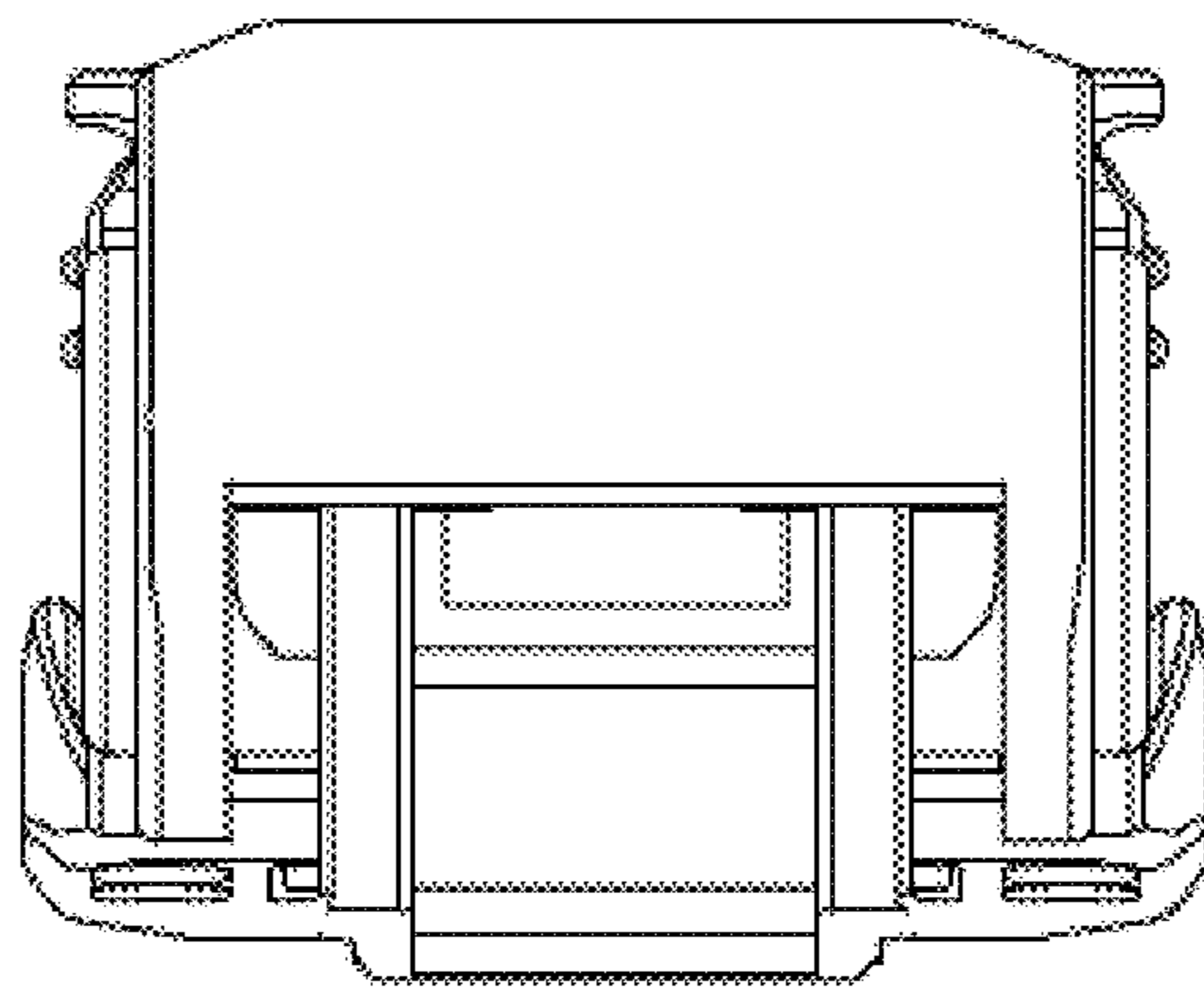


FIG. 5

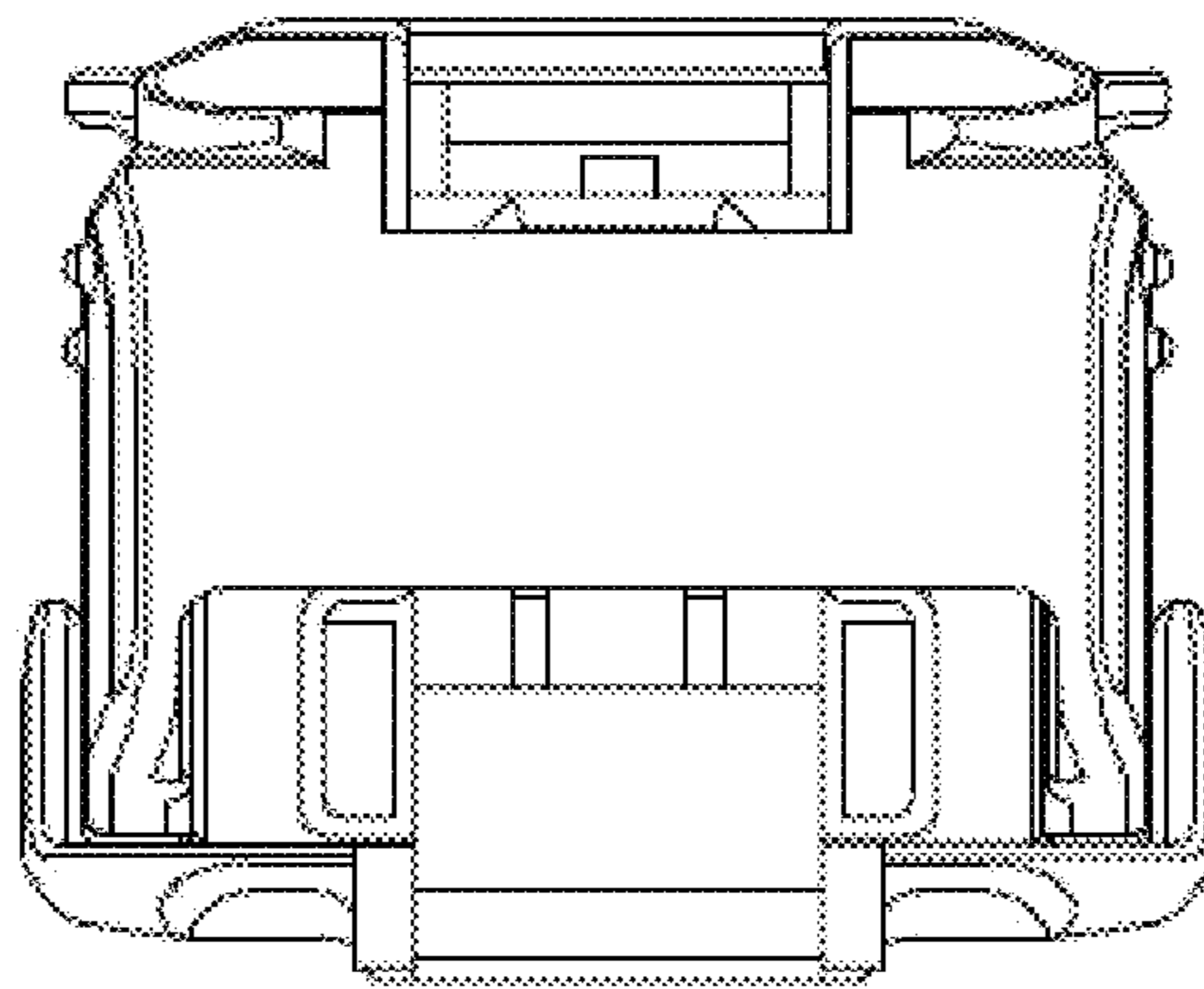


FIG. 6

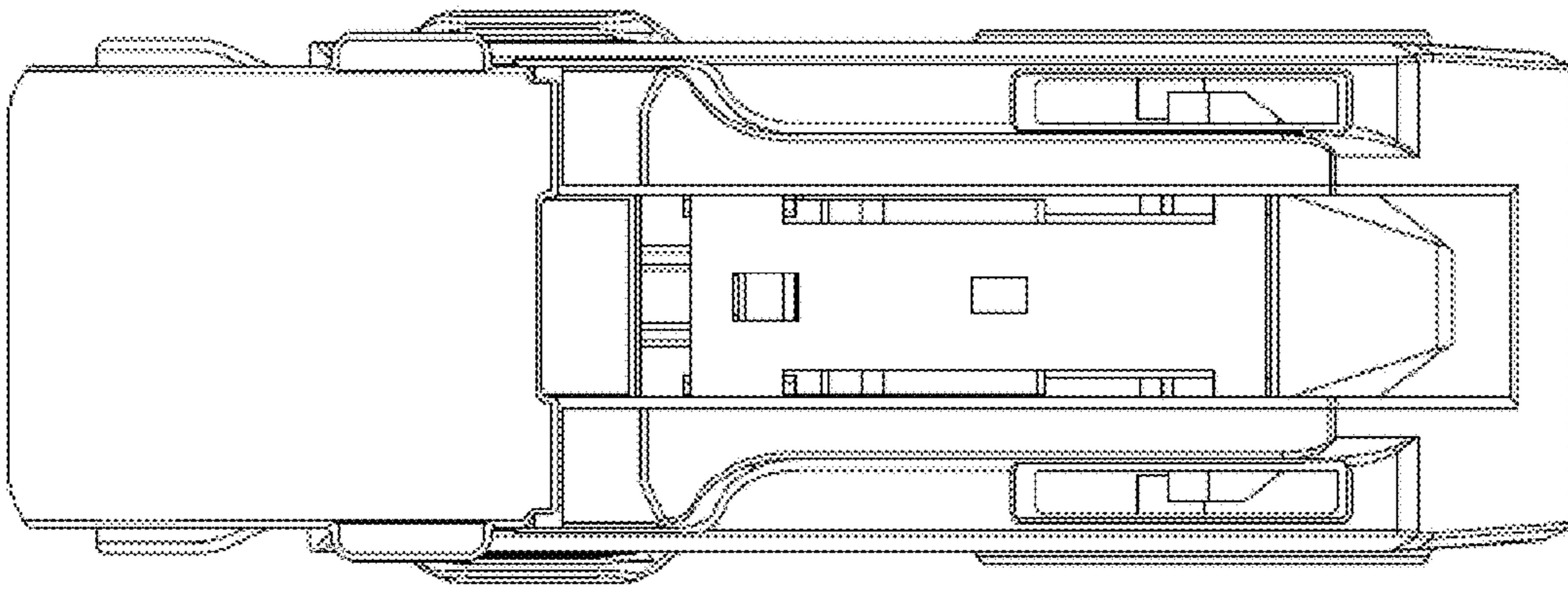


FIG. 7

