



US00D809986S

(12) **United States Design Patent** (10) **Patent No.:** **US D809,986 S**
Williams (45) **Date of Patent:** **** Feb. 13, 2018**

(54) **RUNNING BOARD**
(71) Applicant: **Eric Williams**, De Soto, KS (US)
(72) Inventor: **Eric Williams**, De Soto, KS (US)
(**) Term: **15 Years**
(21) Appl. No.: **29/564,307**
(22) Filed: **May 12, 2016**
(51) **LOC (11) Cl.** **12-16**
(52) **U.S. Cl.**
USPC **D12/203**
(58) **Field of Classification Search**
USPC D12/89, 92, 98, 125, 163, 164, 169, 196,
D12/203, 221, 314, 400; D6/582-586,
D6/592-594; D25/62-65, 68, 69, 156;
280/5.3, 163, 164.2, 166, 169, 291, 507,
280/770; 182/64.1, 127; 238/14;
428/81, 82, 85; 15/215, 217; 296/97.23
CPC B60D 1/00; B60N 2/00; B60R 1/00; B60R
3/00; B60R 3/02; B60R 3/002; B60R
3/005; B60R 3/007; B60R 13/01
See application file for complete search history.

8,851,494 B1 * 10/2014 Strang B60K 13/04
280/163
D720,674 S * 1/2015 Stanesic D12/203
D739,322 S * 9/2015 Villareal D12/203
D766,797 S * 9/2016 Li D12/203
2002/0060440 A1 * 5/2002 Storer B60R 3/007
280/163
2003/0006576 A1 * 1/2003 Lanoue B60R 3/002
280/163
2003/0011164 A1 * 1/2003 Cipolla B60R 3/007
280/164.1
2003/0034626 A1 * 2/2003 Scruggs B60R 3/002
280/163
2003/0085544 A1 * 5/2003 Heil B60R 3/002
280/163
2003/0178805 A1 * 9/2003 Elrod B60R 3/002
280/163
2003/0222423 A1 * 12/2003 Weir B60R 3/002
280/163

(Continued)

Primary Examiner — Wan Laymon
Assistant Examiner — Clint A Samuel
(74) *Attorney, Agent, or Firm* — Dale J. Ream

(57) **CLAIM**

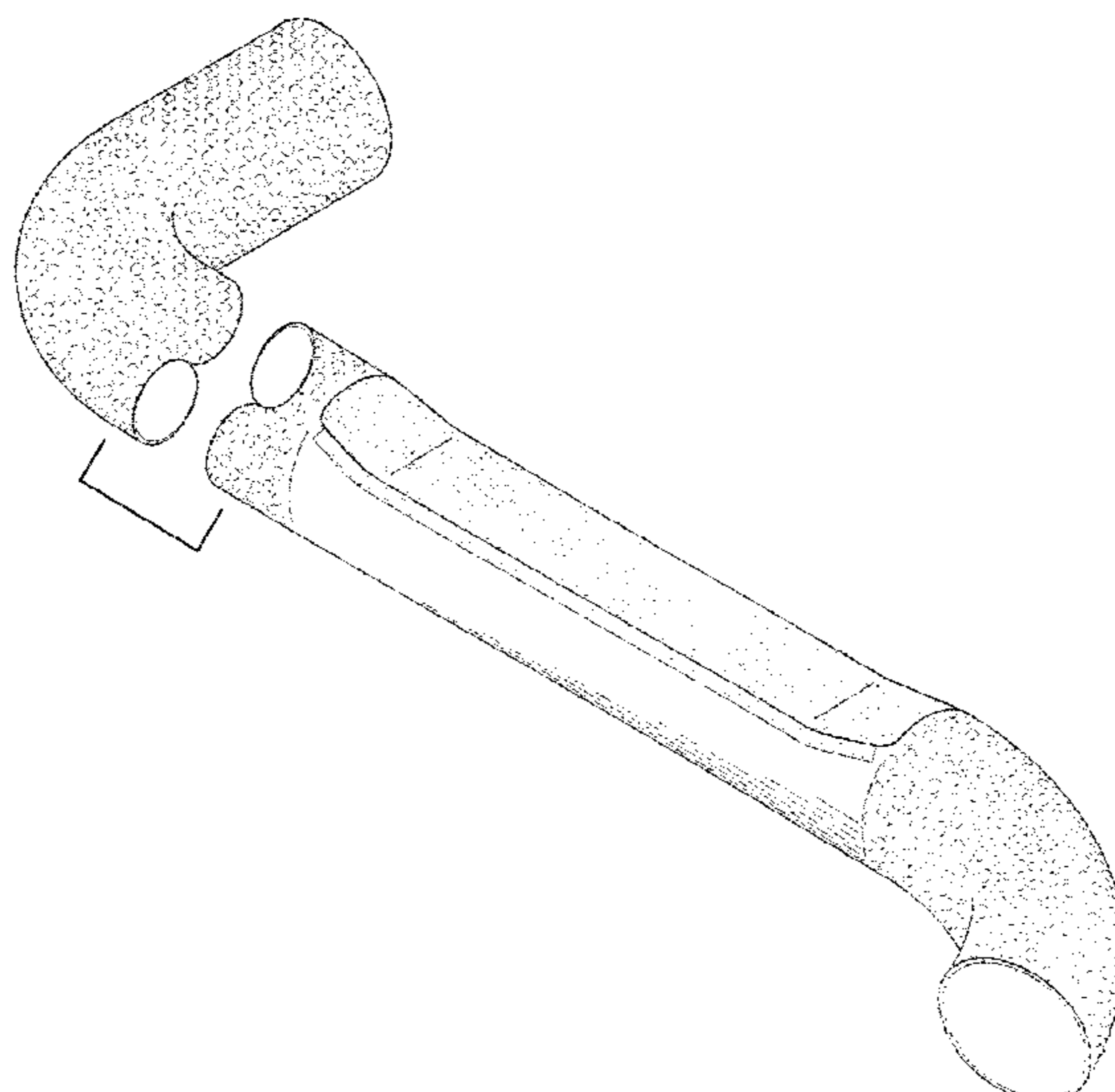
The ornamental design for a running board, as shown and described.

DESCRIPTION

FIG. 1 is an exploded perspective view of a running board in accordance with the present invention;
FIG. 2 is an exploded perspective top plan view thereof;
FIG. 3 is an exploded front elevation thereof;
FIG. 4 is an exploded bottom plan view thereof;
FIG. 5 is an exploded back elevation thereof;
FIG. 6 is a right side elevation thereof; and,
FIG. 7 is a left side elevation thereof.
The broken line showing in the drawings is included for the purpose of illustrating unclaimed portions of the running board and forms no part of the claimed design.

1 Claim, 3 Drawing Sheets

(56) **References Cited**
U.S. PATENT DOCUMENTS
5,713,589 A * 2/1998 Delgado B60R 3/00
182/190
D444,754 S * 7/2001 Storer B60R 3/007
D12/203
D463,345 S * 9/2002 Cipolla D12/162
D494,914 S * 8/2004 Elwell D12/203
D495,646 S * 9/2004 Elwell D12/203
D505,901 S * 6/2005 Wang D12/203
D532,354 S * 11/2006 Storer D12/203
D535,928 S * 1/2007 Crandall D12/203
D568,222 S * 5/2008 Storer D12/203
D632,627 S * 2/2011 Huang-Tsai D12/203
D634,687 S * 3/2011 Vukel D12/162



(56)

References Cited

U.S. PATENT DOCUMENTS

2005/0012294 A1* 1/2005 Yang B60R 3/002
280/163
2006/0249924 A1* 11/2006 Armstrong B60R 3/002
280/163
2010/0102528 A1* 4/2010 Stickles B60R 3/02
280/163
2011/0181012 A1* 7/2011 Storer B60R 3/002
280/169
2016/0059786 A1* 3/2016 Montoya B60R 9/02
280/163
2017/0036596 A1* 2/2017 Yang B60Q 1/323
2017/0166135 A1* 6/2017 Baskin B60P 1/43

* cited by examiner

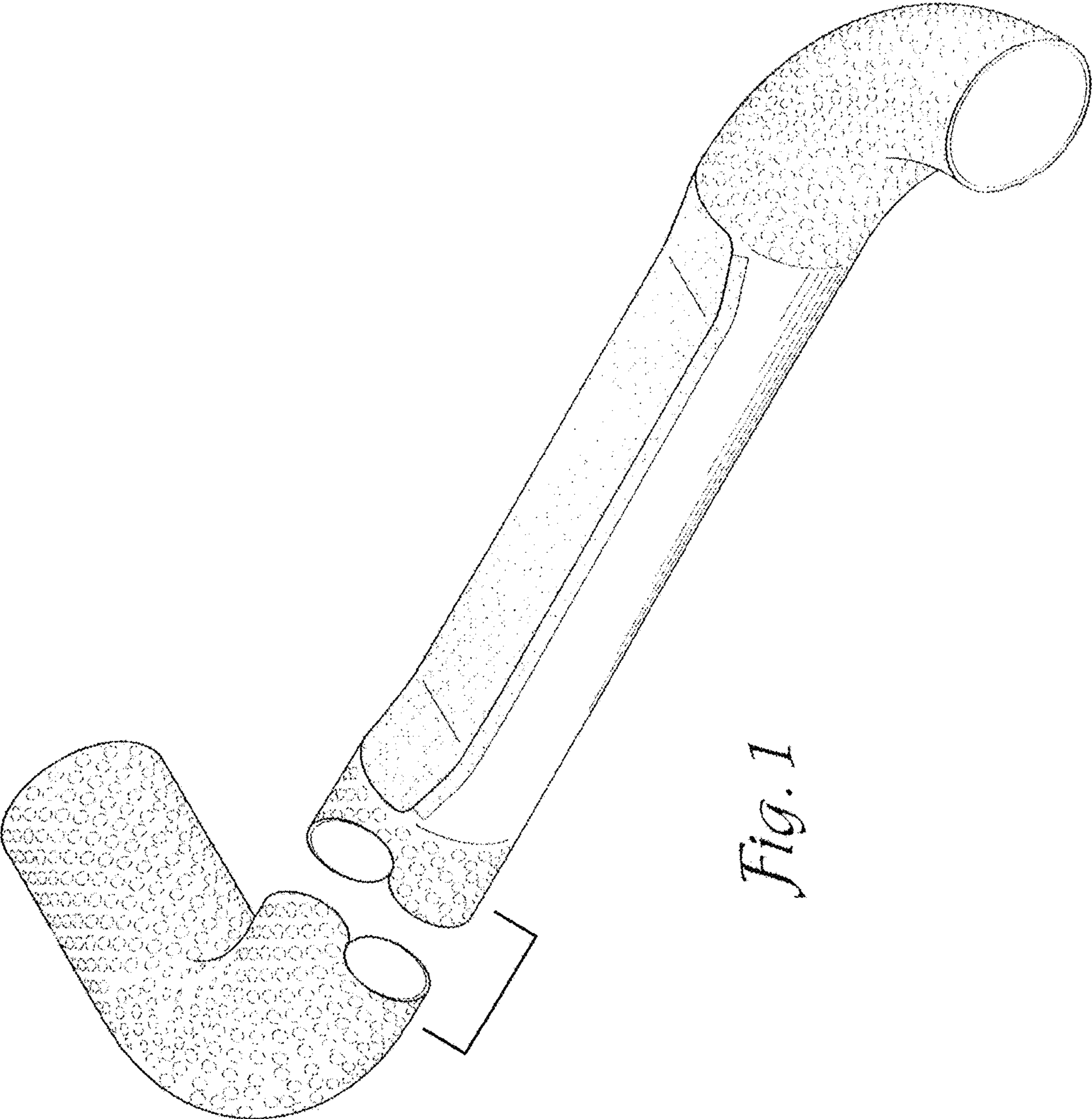


Fig. 1

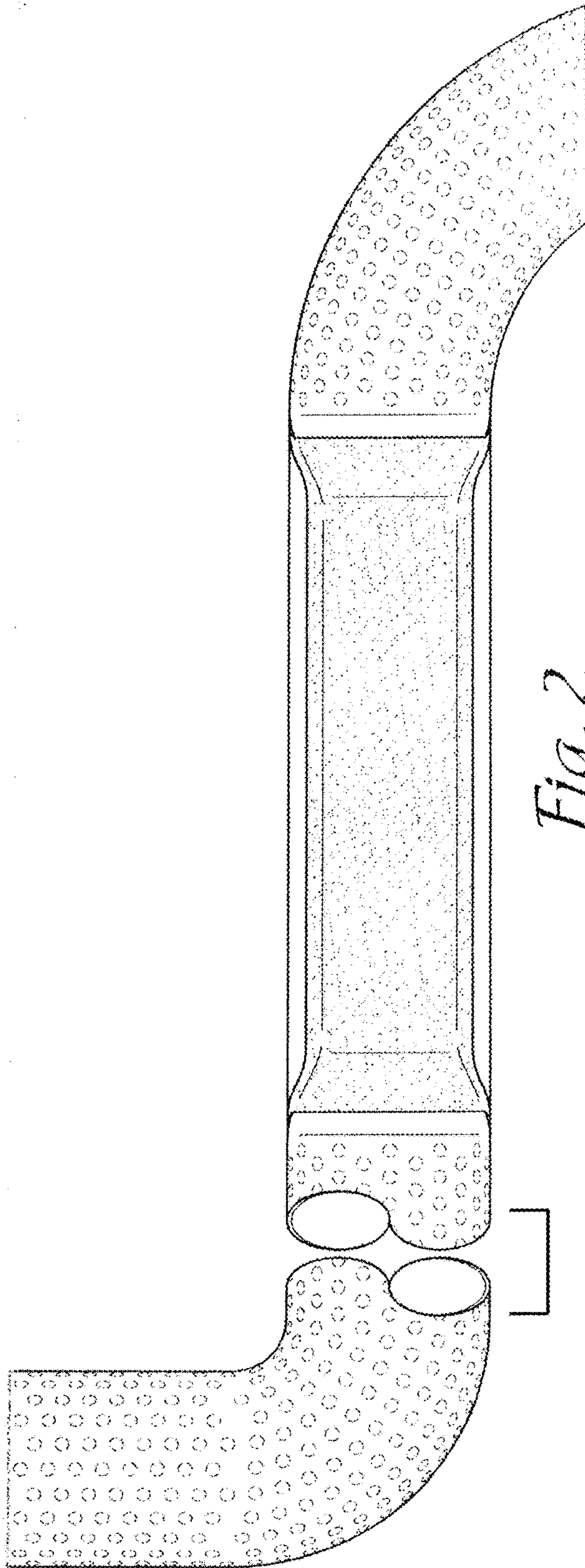


Fig. 2

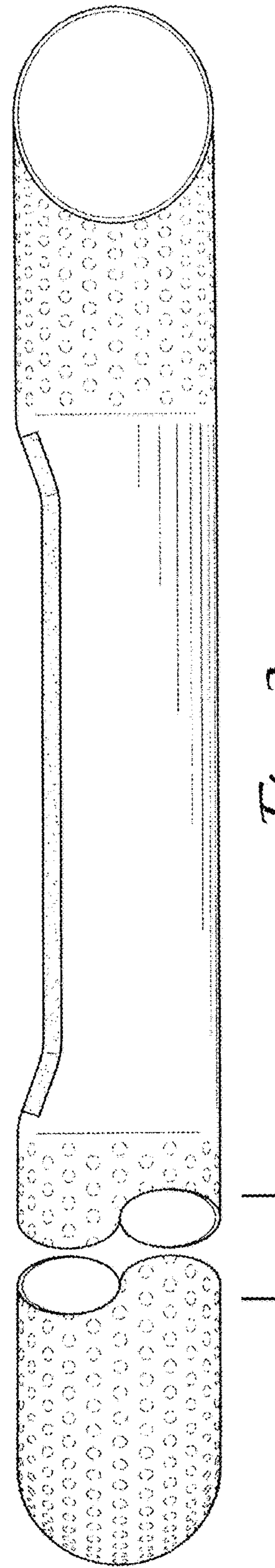


Fig. 3

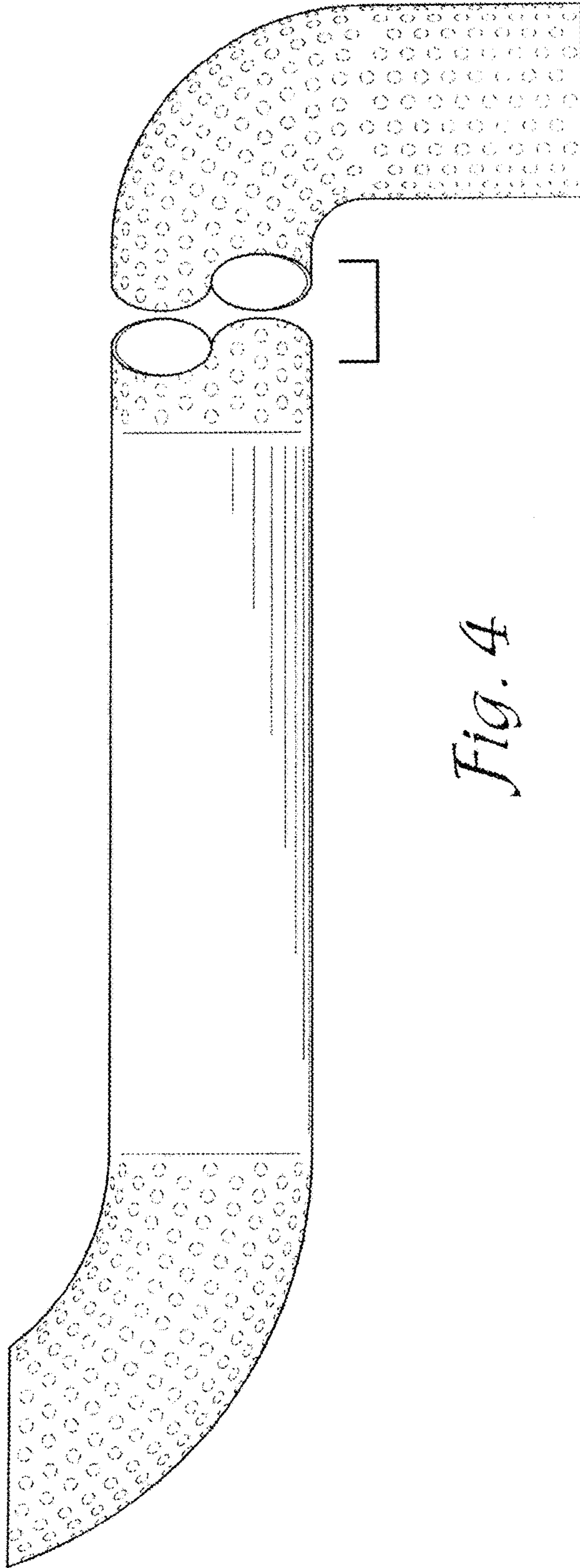


Fig. 4

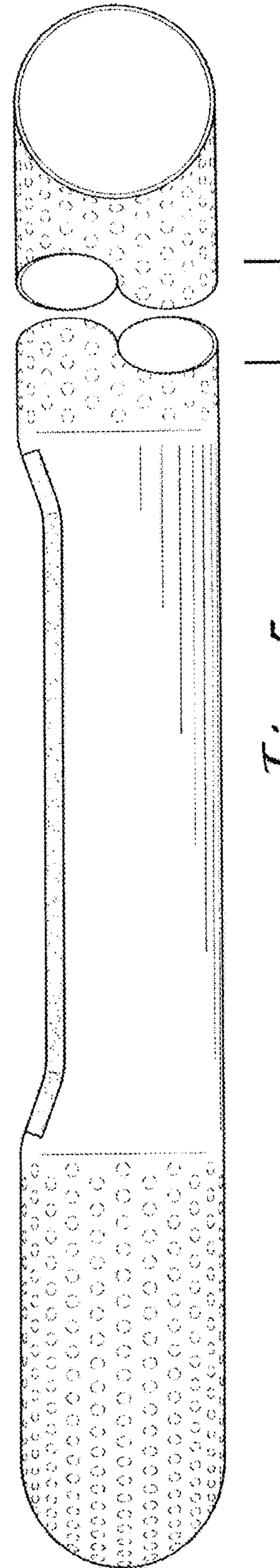


Fig. 5