



US00D809985S

(12) **United States Design Patent**
Milton et al.

(10) **Patent No.:** **US D809,985 S**

(45) **Date of Patent:** **** Feb. 13, 2018**

(54) **SIDE CLADDING**

(71) Applicant: **Bluegentech LLC**, Salt Lake City, UT (US)

(72) Inventors: **Trevor R. Milton**, Salt Lake City, UT (US); **Steve Jennes**, Fullerton, CA (US)

(73) Assignee: **Nikola Corporation**, Salt Lake City, UT (US)

(**) Term: **15 Years**

(21) Appl. No.: **29/550,178**

(22) Filed: **Dec. 30, 2015**

(51) **LOC (11) Cl.** **12-16**

(52) **U.S. Cl.**
USPC **D12/196**

(58) **Field of Classification Search**
USPC D12/12, 93, 94, 95, 96, 106, 196, 46, 42,
D12/100, 99; 280/154, 166, 848, 26, 5.3,
280/5.28
CPC .. B62D 35/001; B62D 25/168; B62D 33/077;
B60R 3/02
See application file for complete search history.

D433,365 S *	11/2000	Beigel	D12/196
D491,862 S *	6/2004	Perfetti	D12/196
D509,779 S *	9/2005	Perfetti	D12/196
D522,944 S *	6/2006	Beigel	D12/196
D522,945 S *	6/2006	Beigel	D12/196
7,637,563 B2 *	12/2009	Plett	B60R 3/02 280/166
7,641,254 B2 *	1/2010	Stegawski	B62D 33/077 280/848
D626,890 S *	11/2010	Cantemir	D12/12
D660,756 S *	5/2012	Peltola	D12/196
D682,172 S *	5/2013	Peltola	D12/196
D708,105 S *	7/2014	Leetz	D12/196
D714,199 S *	9/2014	Ito	D12/196
D753,039 S *	4/2016	Duncan	D12/196

* cited by examiner

Primary Examiner — Cynthia Ramirez

Assistant Examiner — Andrew Kerr

(74) *Attorney, Agent, or Firm* — Terrence J. Edwards;
TechLaw Ventures, PLLC

(57) **CLAIM**

We claim the ornamental design for a side cladding, as shown and described.

DESCRIPTION

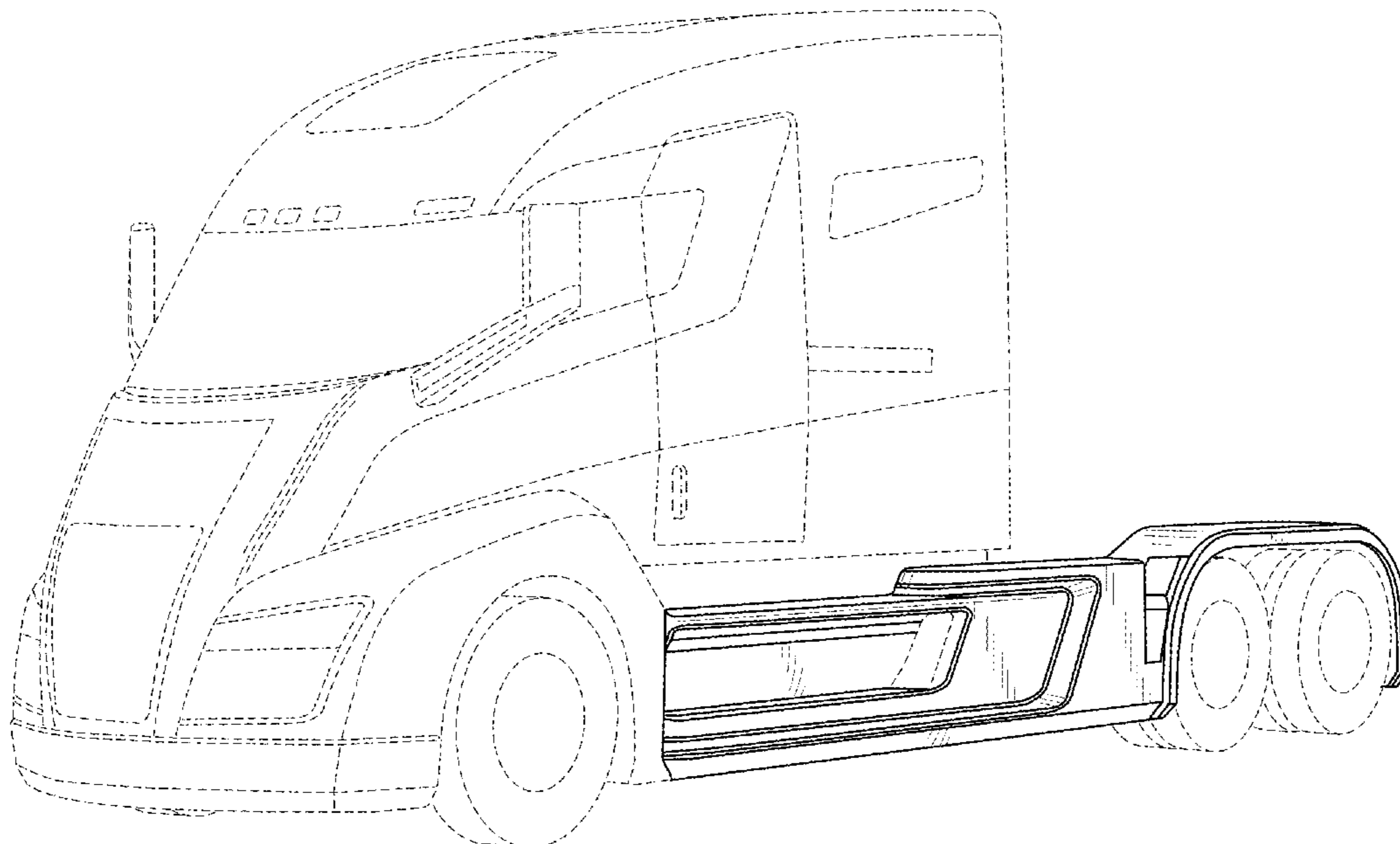
FIG. 1 is a front perspective view thereof;
FIG. 2 is a top view thereof;
FIG. 3 is a side view thereof;
FIG. 4 is a side view thereof;
FIG. 5 is a front view thereof; and,
FIG. 6 is a rear view thereof.

1 Claim, 5 Drawing Sheets

(56) **References Cited**

U.S. PATENT DOCUMENTS

4,991,906 A *	2/1991	Fingerle	B62D 35/001 280/164.1
D319,036 S *	8/1991	Fingerle	D12/96
D399,791 S *	10/1998	Hellhake	D12/96
5,947,520 A *	9/1999	McHorse	B62D 25/168 280/154
D420,622 S *	2/2000	Hellhake	D12/96



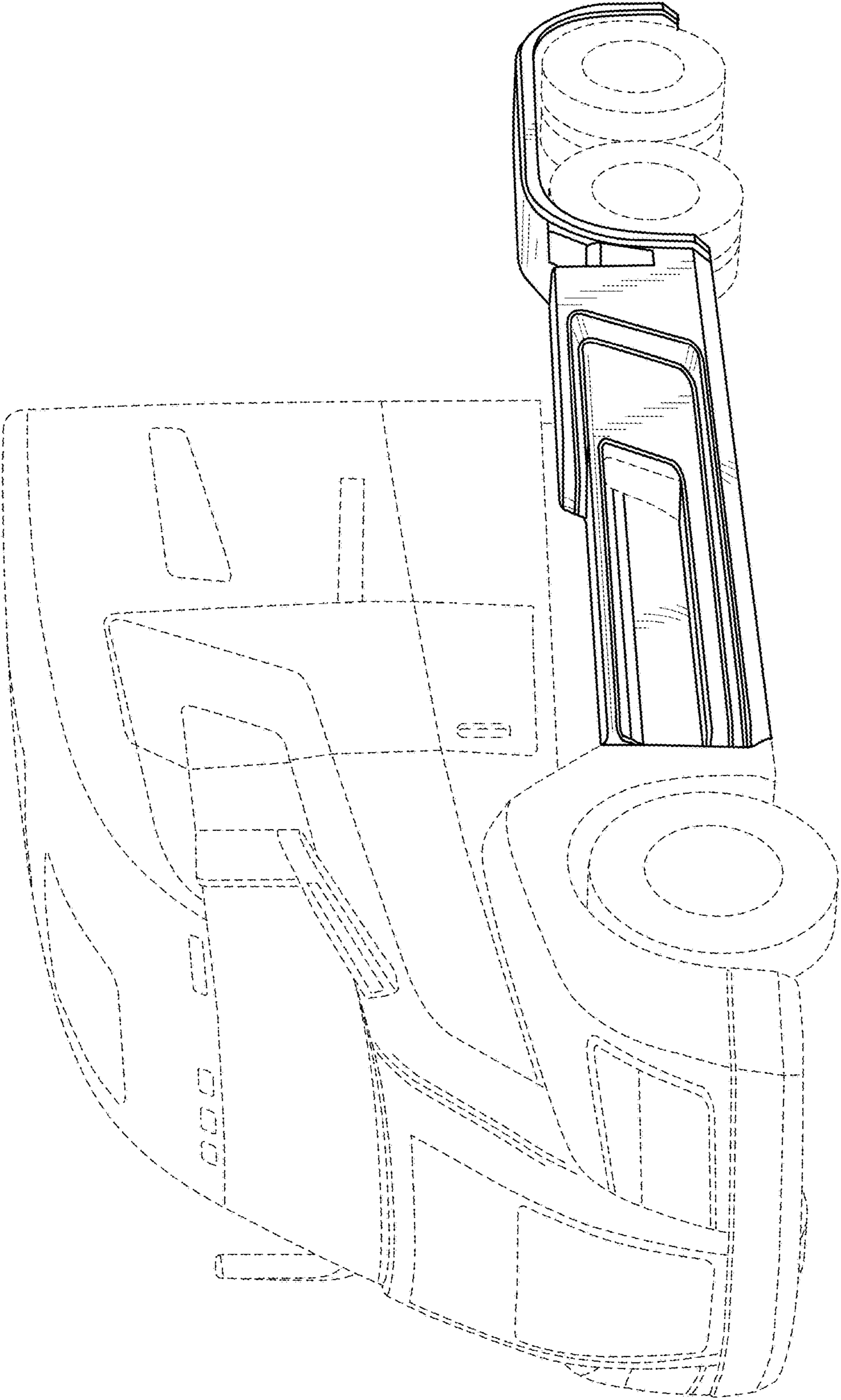


FIG. 1

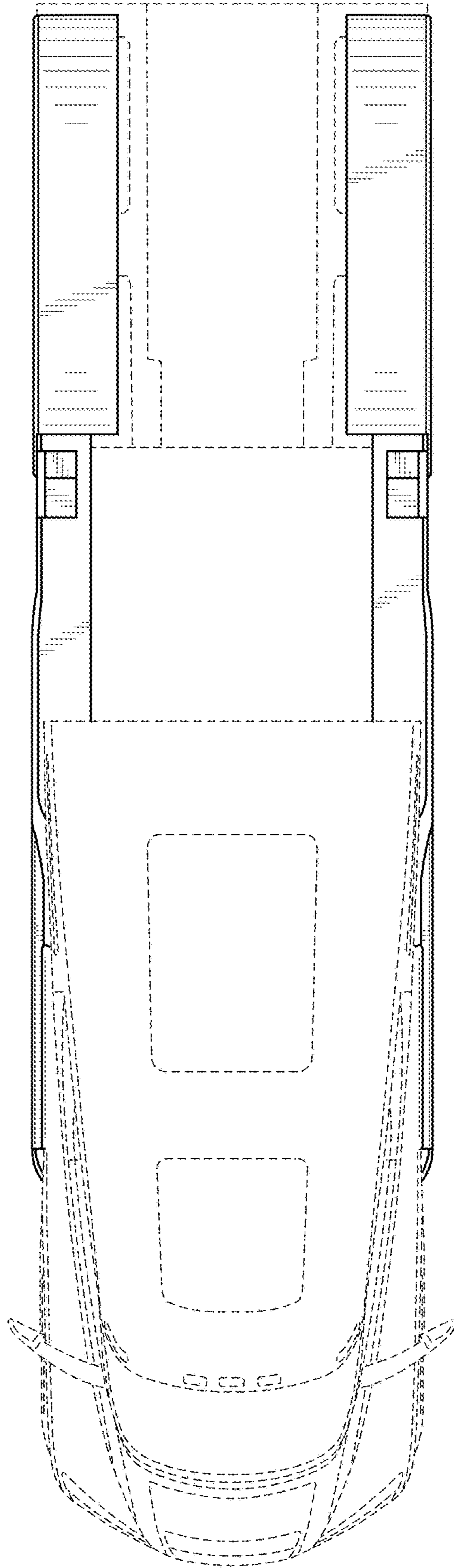


FIG. 2

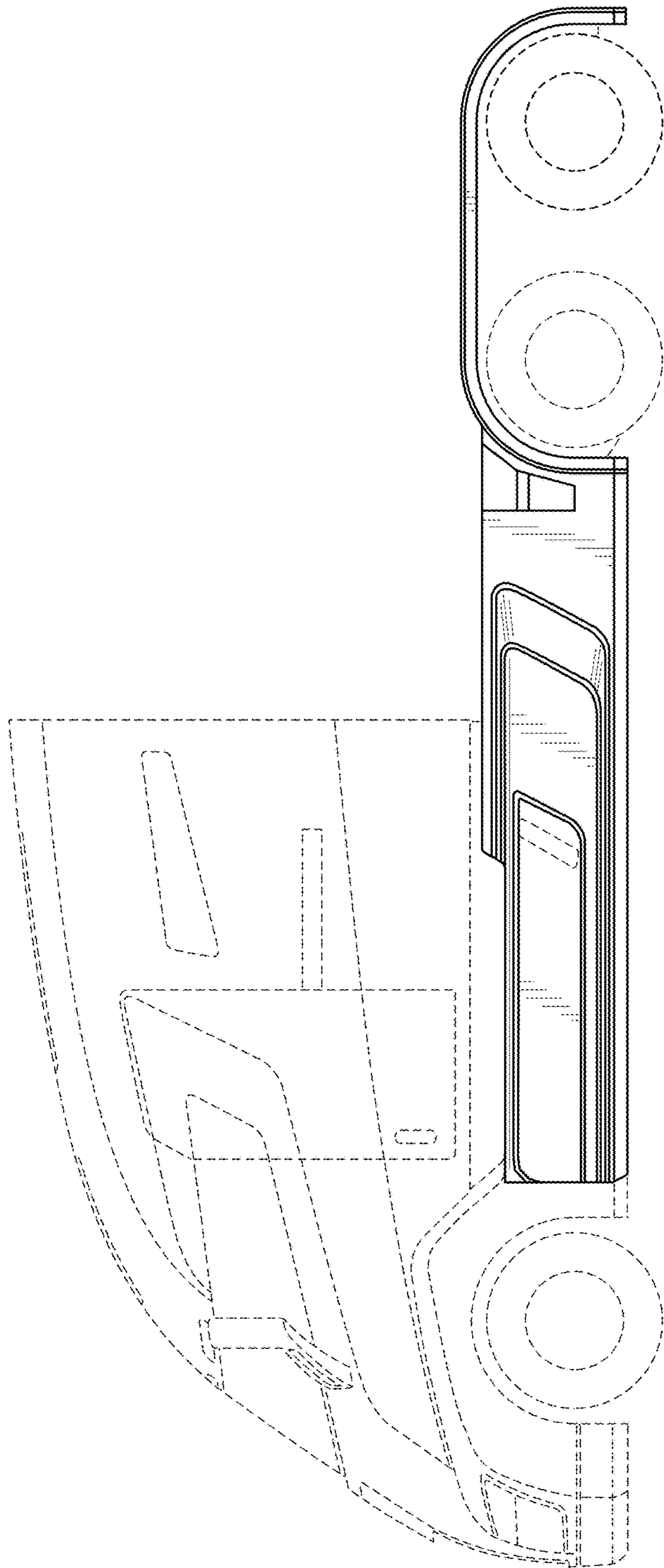


FIG. 3

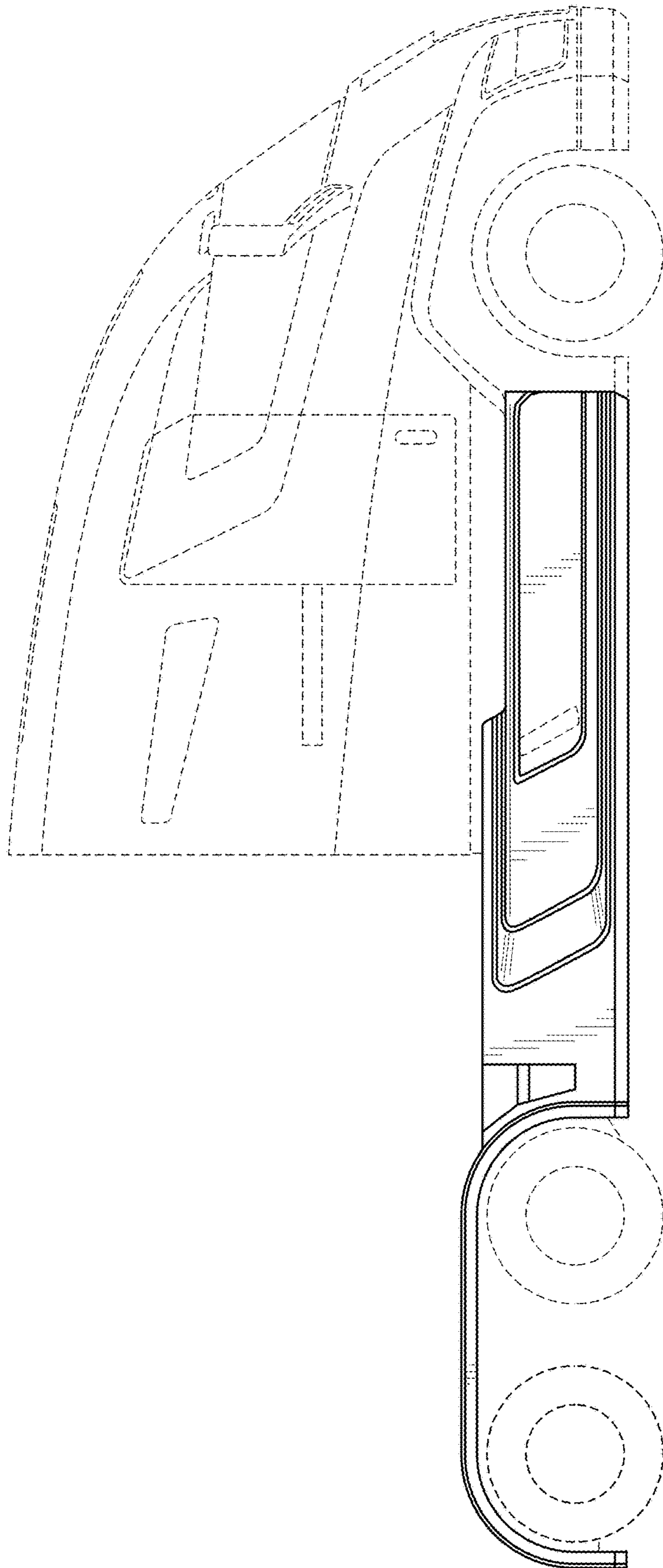


FIG. 4

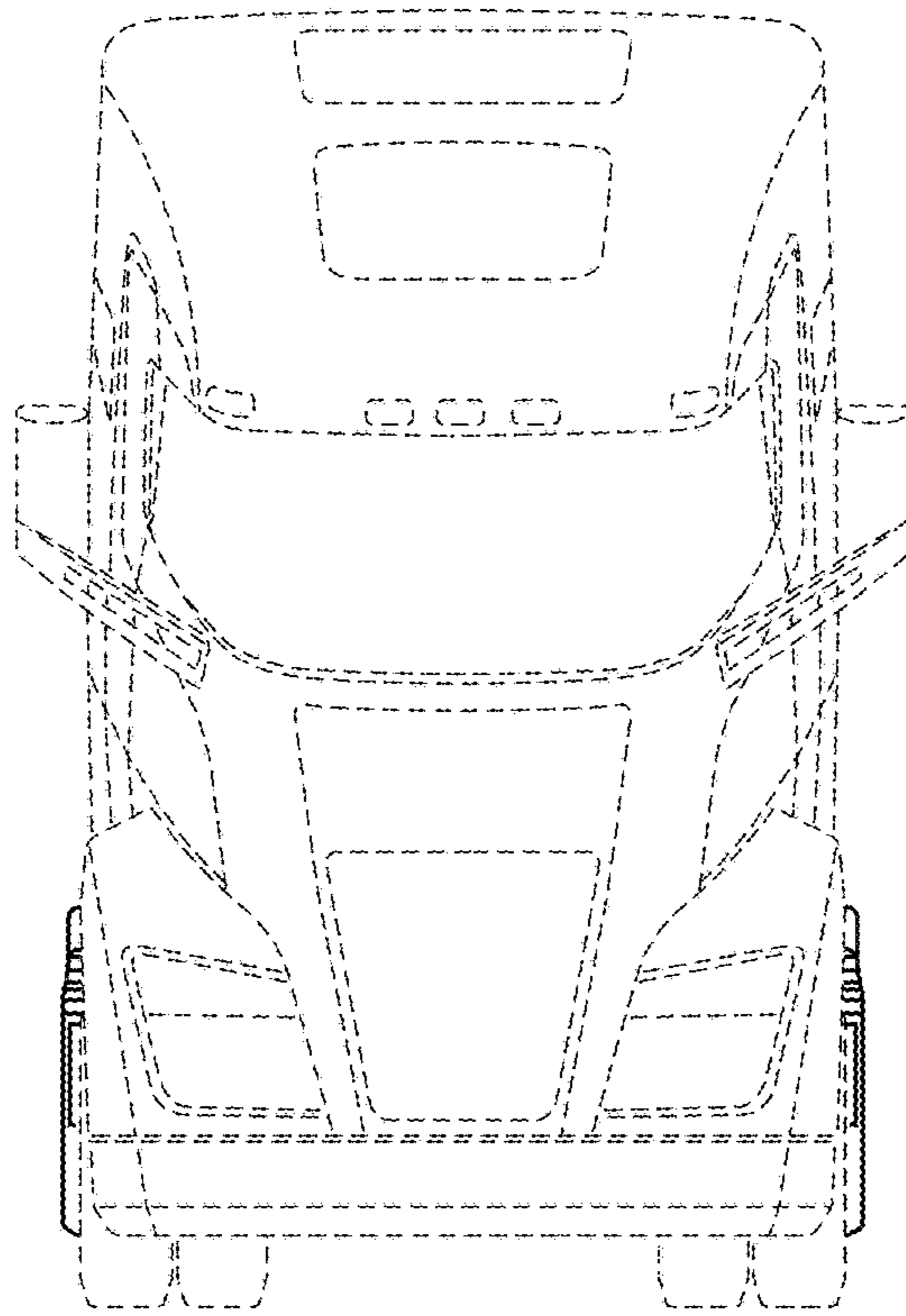


FIG. 5

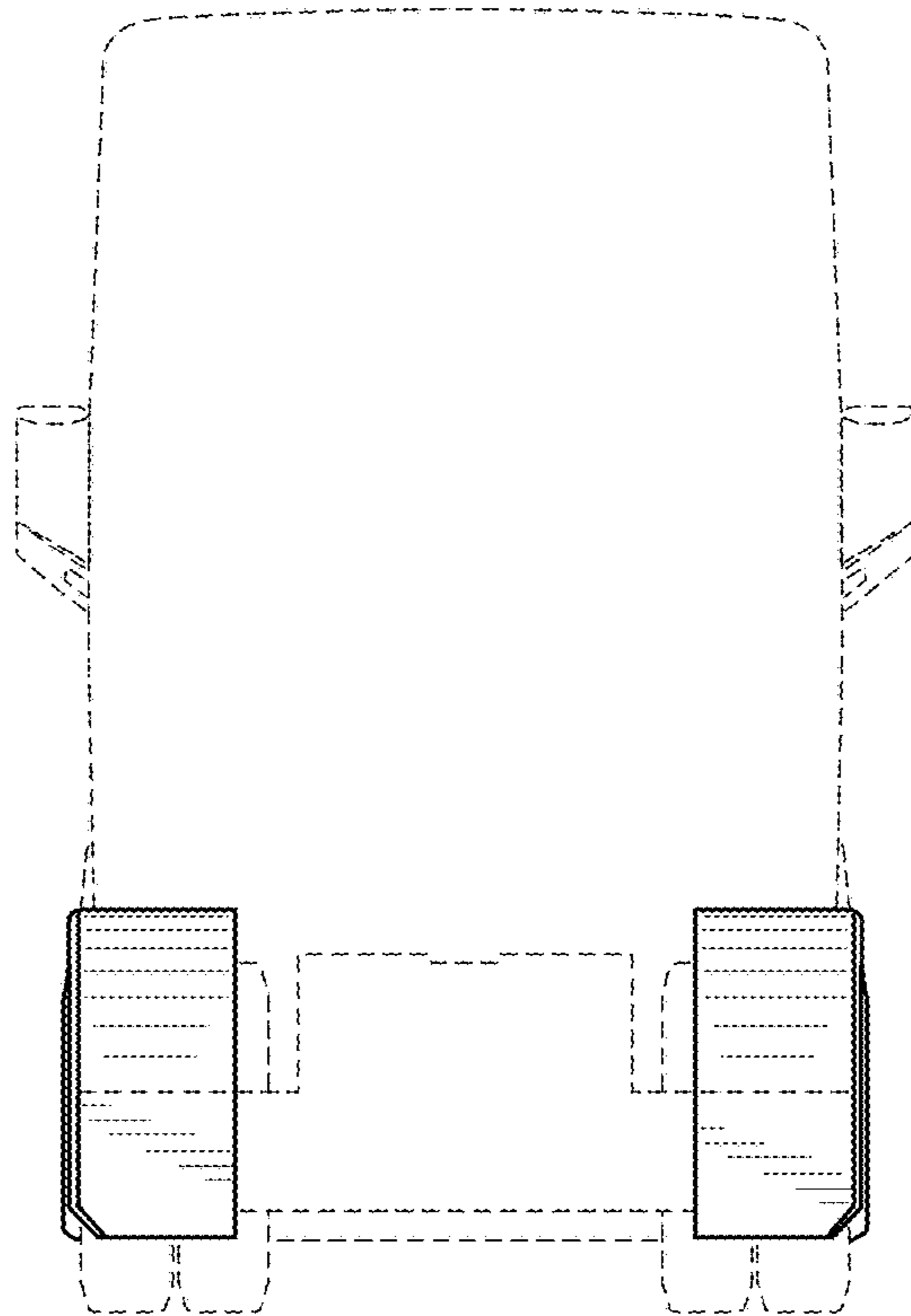


FIG. 6