



US00D809982S

(12) **United States Design Patent** (10) **Patent No.:** **US D809,982 S**
Hosozawa (45) **Date of Patent:** **** Feb. 13, 2018**

(54) **STEERING WHEEL FOR WORKING MACHINE**

D619,519 S * 7/2010 Granata D12/176
D619,943 S * 7/2010 Granata D12/176
D739,318 S * 9/2015 Rancan D12/176
D773,359 S * 12/2016 Okuyama D12/176
D789,262 S * 6/2017 Chen D12/176

(71) Applicant: **Kubota Corporation**, Osaka-shi (JP)

(72) Inventor: **Akari Hosozawa**, Sakai (JP)

FOREIGN PATENT DOCUMENTS

(73) Assignee: **Kubota Corporation**, Osaka (JP)

JP 1190959 S 11/2003
JP 1233731 S 3/2005
JP 1264863 S 3/2006
JP 1293510 S 2/2007
JP 1489907 S 2/2014
JP 1528198 7/2015
JP 1528208 S 7/2015
JP 1537212 S 11/2015

(**) Term: **15 Years**

(21) Appl. No.: **29/582,588**

(22) Filed: **Oct. 28, 2016**

(51) **LOC (11) Cl.** **12-16**

* cited by examiner

(52) **U.S. Cl.**

USPC **D12/175**; D12/176; D15/28; D15/17

Primary Examiner — Mark Goodwin

(58) **Field of Classification Search**

USPC D15/28, 17; D12/175, 176; 74/552, 558, 74/558.5

(74) *Attorney, Agent, or Firm* — The Webb Law Firm

CPC B60R 21/203; B60R 21/05; B62D 1/04
See application file for complete search history.

(57) **CLAIM**

The ornamental design for a steering wheel for working machine, as shown and described.

(56) **References Cited**

DESCRIPTION

U.S. PATENT DOCUMENTS

D222,447 S * 10/1971 Fabien D12/175
D222,768 S * 12/1971 Hikosaburo D12/176
D254,486 S * 3/1980 Montgomery D12/176
D276,040 S * 10/1984 Montgomery D12/192
D296,428 S * 6/1988 Faul D12/176
D301,224 S * 5/1989 Funabashi D12/176
D305,223 S * 12/1989 Breiding D12/176
D312,435 S * 11/1990 Funabashi D12/176
D323,640 S * 2/1992 Holm D12/176
D366,021 S * 1/1996 Tharp D12/176
D410,880 S * 6/1999 Conterno D12/176
D439,871 S * 4/2001 Goebert D12/176
D480,668 S * 10/2003 Ohm D12/176
D587,176 S * 2/2009 Yang D12/176
D593,009 S * 5/2009 Dammkoehler D12/176

FIG. 1 is a front view of a steering wheel for working machine showing my new design;

FIG. 2 is a rear view thereof;

FIG. 3 is a left side view thereof;

FIG. 4 is a top view thereof;

FIG. 5 is a bottom view thereof;

FIG. 6 is a front perspective view thereof; and,

FIG. 7 is a rear perspective view thereof.

A right side view of the steering wheel for working machine is omitted because the right side view is symmetric in appearance to the left side view of FIG. 3.

The portions of the steering wheel for working machine shown in broken lines form no part of the claimed design.

1 Claim, 7 Drawing Sheets

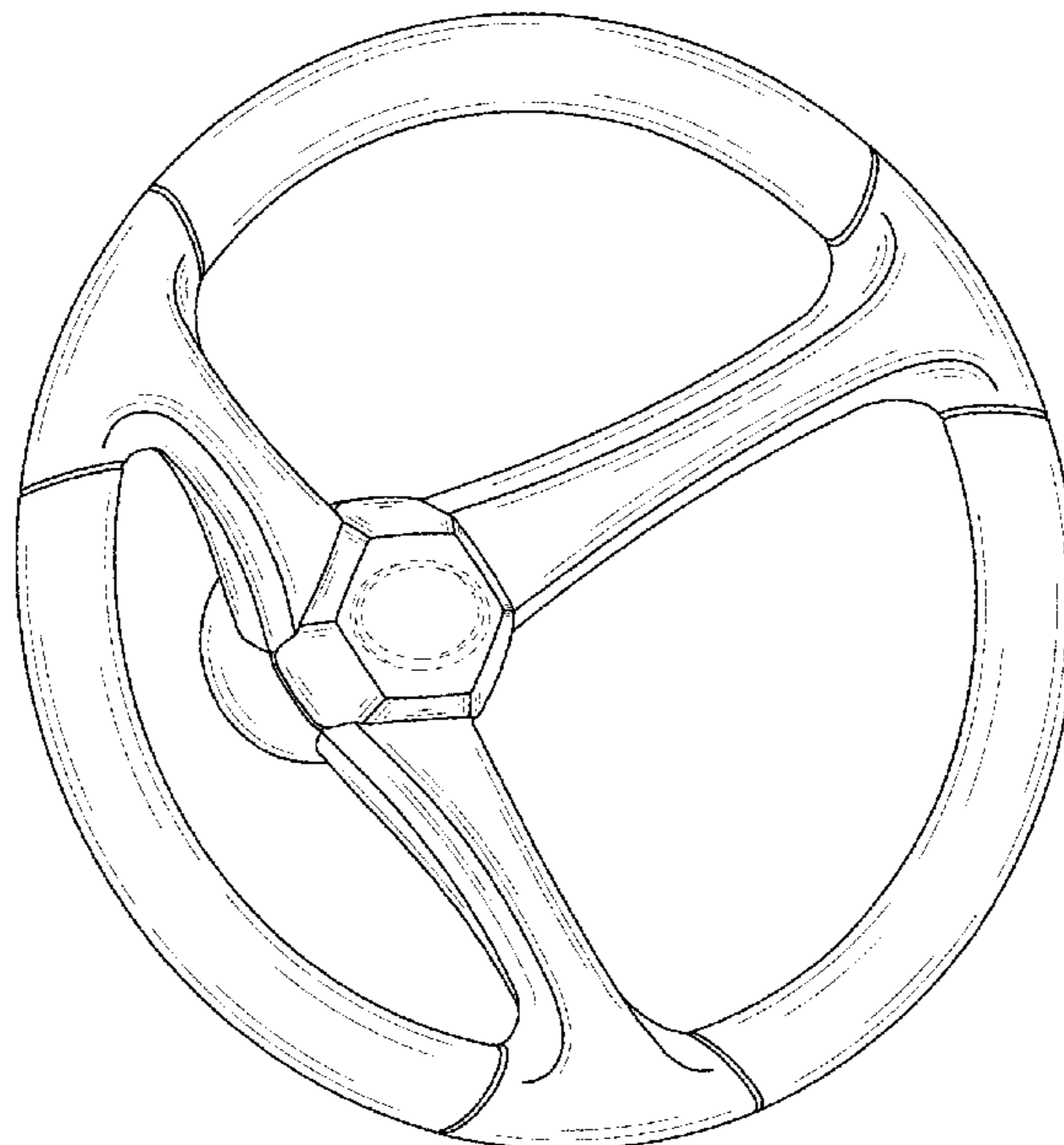


Fig. 1

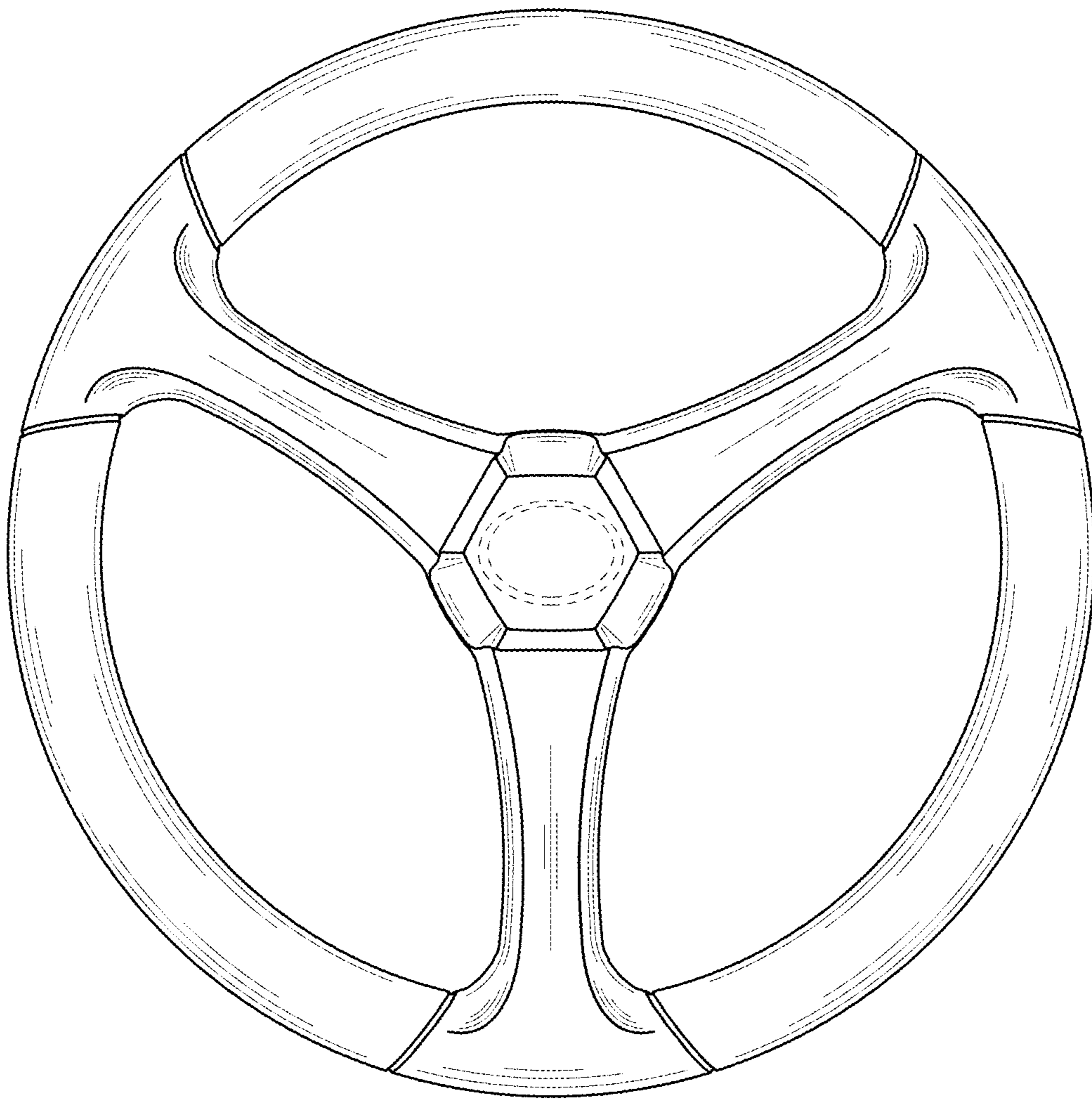


Fig.2

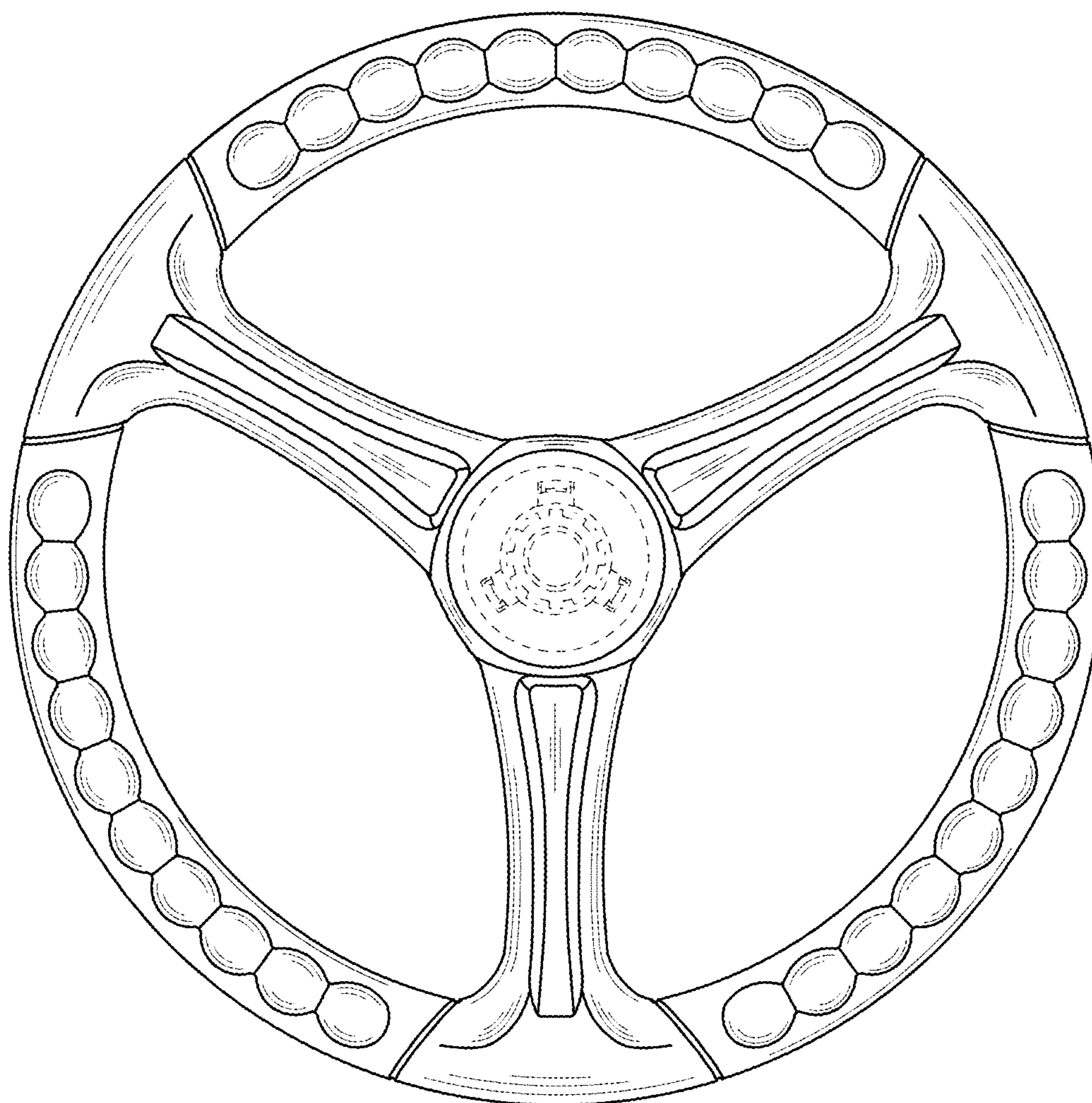


Fig.3

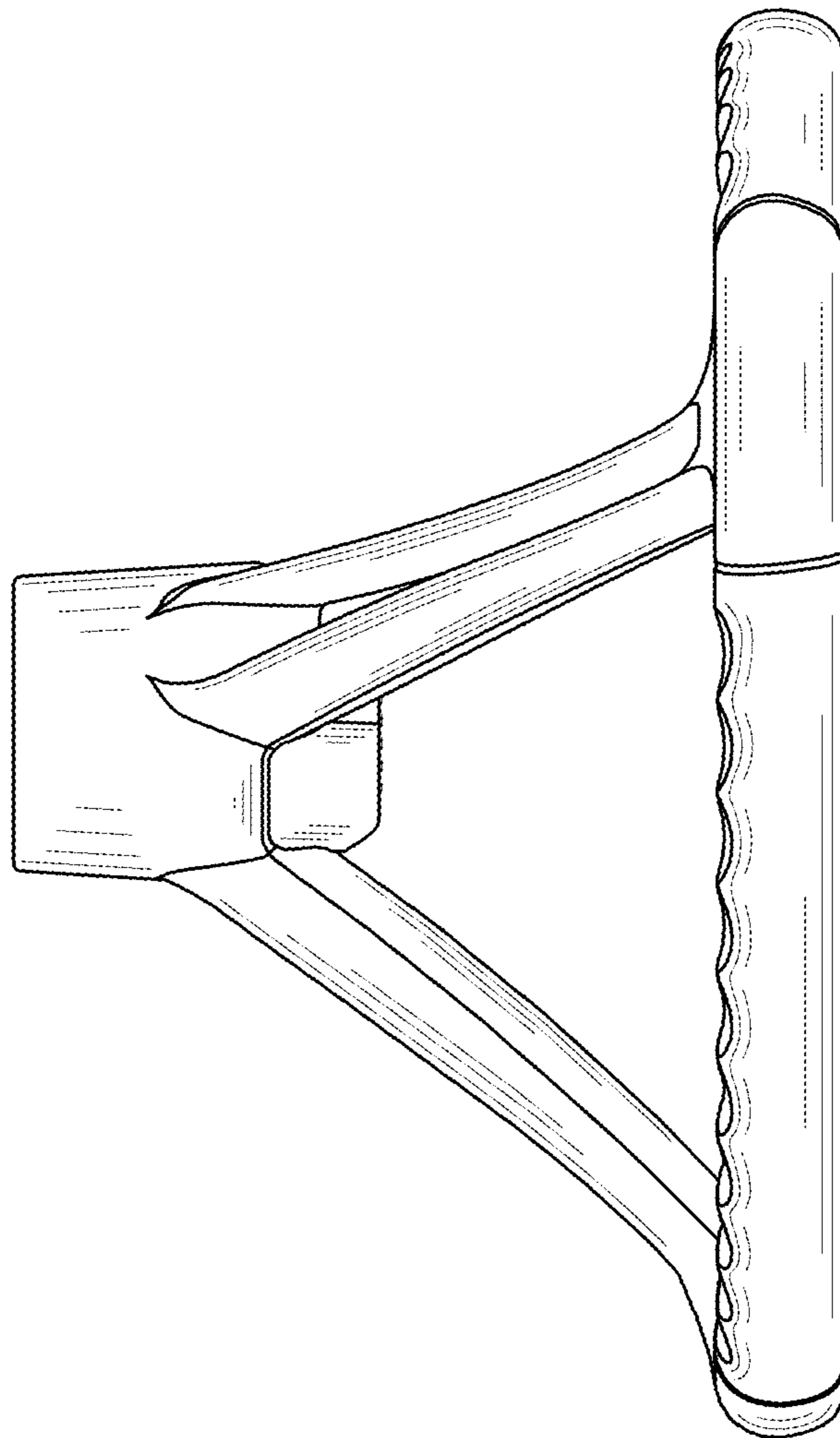


Fig.4

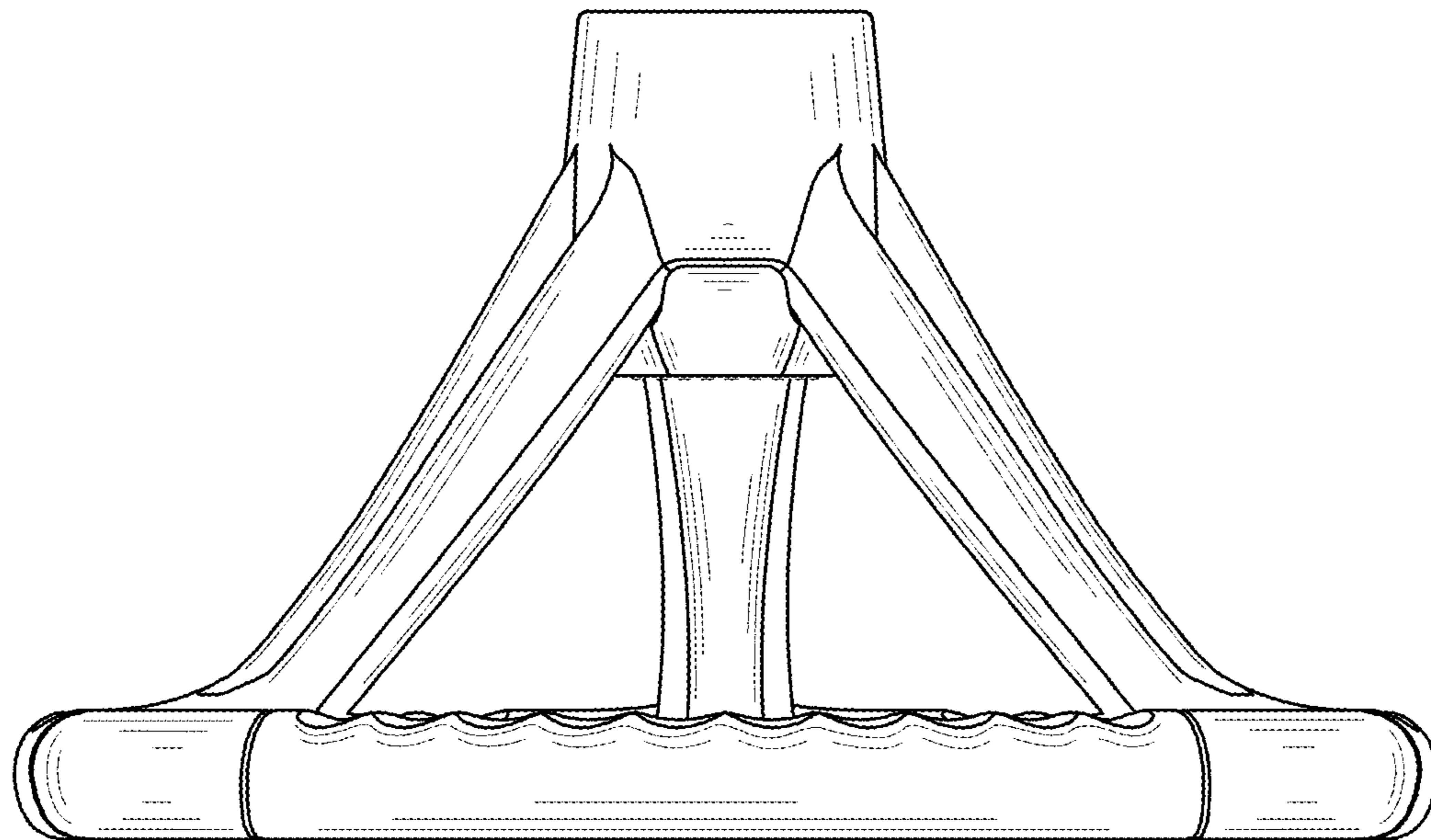


Fig.5

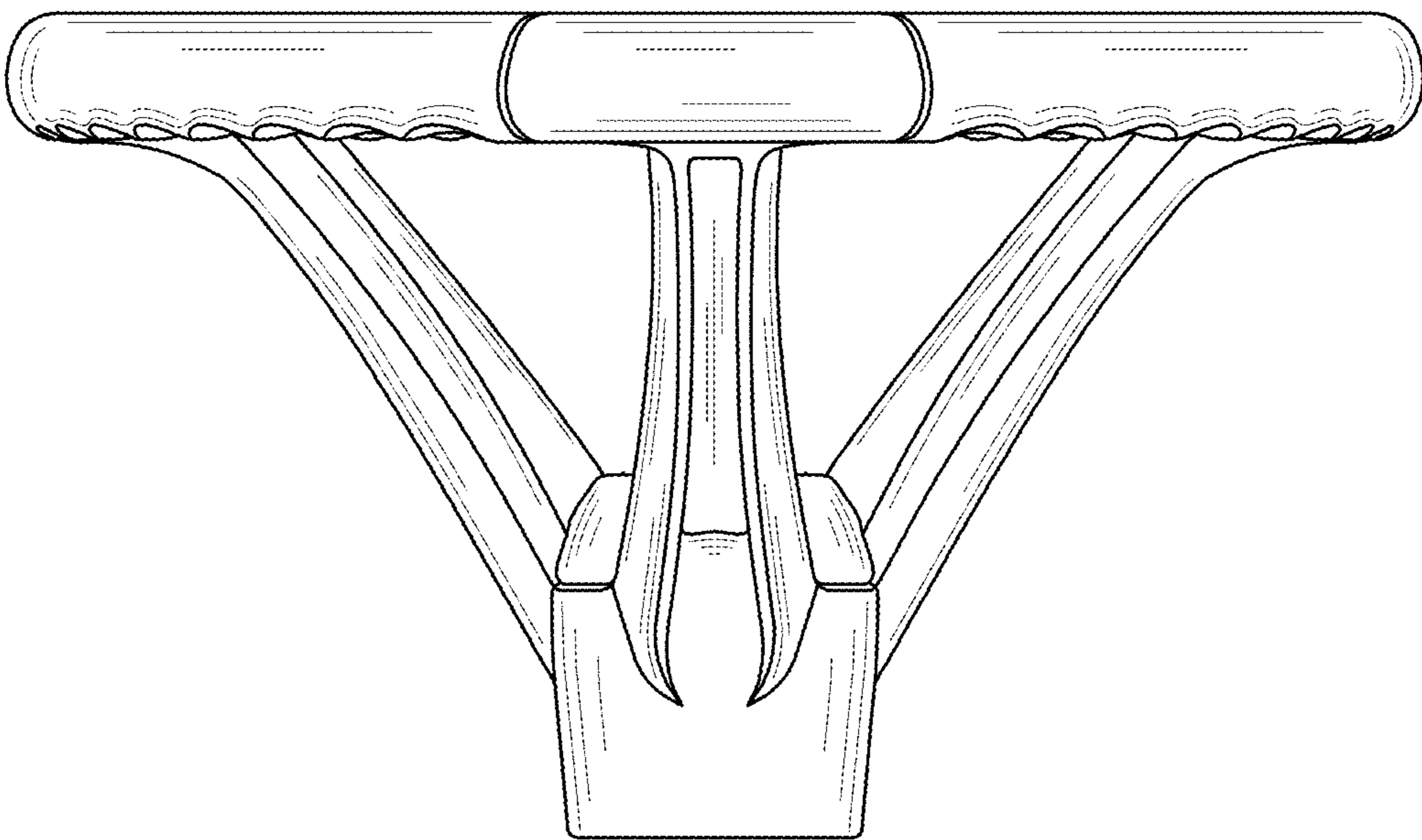


Fig.6

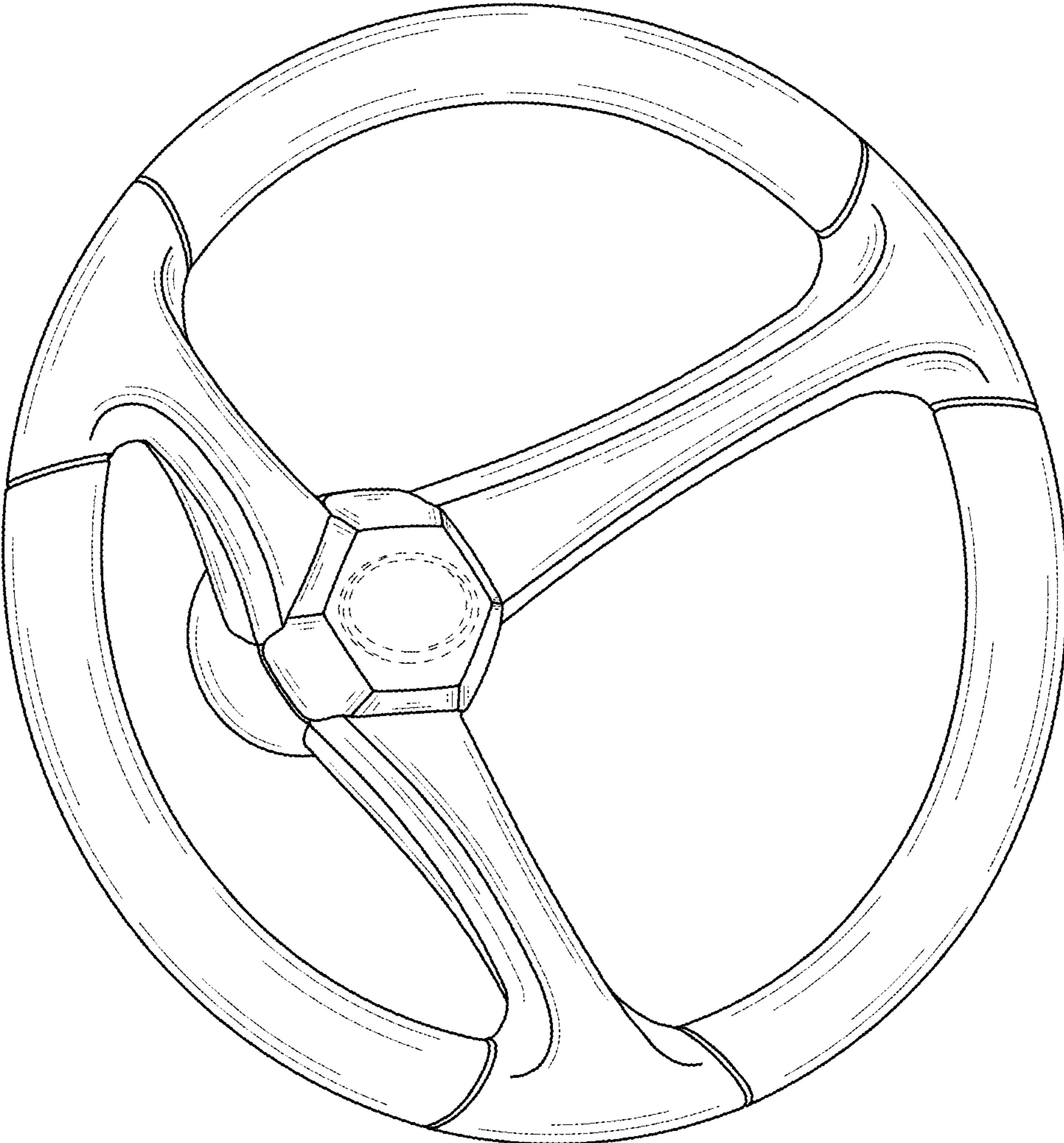


Fig.7

