



US00D809980S

(12) **United States Design Patent** (10) **Patent No.:** **US D809,980 S**
Tanaka (45) **Date of Patent:** **** Feb. 13, 2018**

(54) **FRONT BUMPER FOR AUTOMOBILE**
(71) Applicant: **Nissan Motor Co., Ltd.**, Yokohama,
Kanagawa (JP)
(72) Inventor: **Satoshi Tanaka**, Kanagawa (JP)
(73) Assignee: **Nissan Motor Co., Ltd.**, Yokohama
(JP)

D725,007 S * 3/2015 Beaven D12/164
D732,443 S * 6/2015 Won D12/169
D740,729 S * 10/2015 Yamamoto D12/169
D745,837 S * 12/2015 Smith D12/169
D749,022 S * 2/2016 Nakahara D12/169
D756,275 S * 5/2016 Ino D12/169
2008/0079271 A1* 4/2008 Maruko B60R 19/52
293/102
2009/0115205 A1* 5/2009 Steller B60R 19/12
293/115

(Continued)

(**) Term: **15 Years**
(21) Appl. No.: **29/584,450**
(22) Filed: **Nov. 15, 2016**

FOREIGN PATENT DOCUMENTS

JP D1311325 S 10/2007
JP D1398944 S 10/2010

(Continued)

(30) **Foreign Application Priority Data**
May 16, 2016 (JP) 2016-010309
(51) **LOC (11) Cl.** **12-16**
(52) **U.S. Cl.**
USPC **D12/169**
(58) **Field of Classification Search**
USPC D12/86, 90, 91, 92, 163, 164, 169, 171,
D12/196, 216
CPC B60R 19/02; B60R 19/18; B60R 19/24;
B60R 19/56; B60R 2019/007
See application file for complete search history.

Primary Examiner — Darlington Ly
(74) *Attorney, Agent, or Firm* — Global IP Counselors,
LLP

(57) **CLAIM**

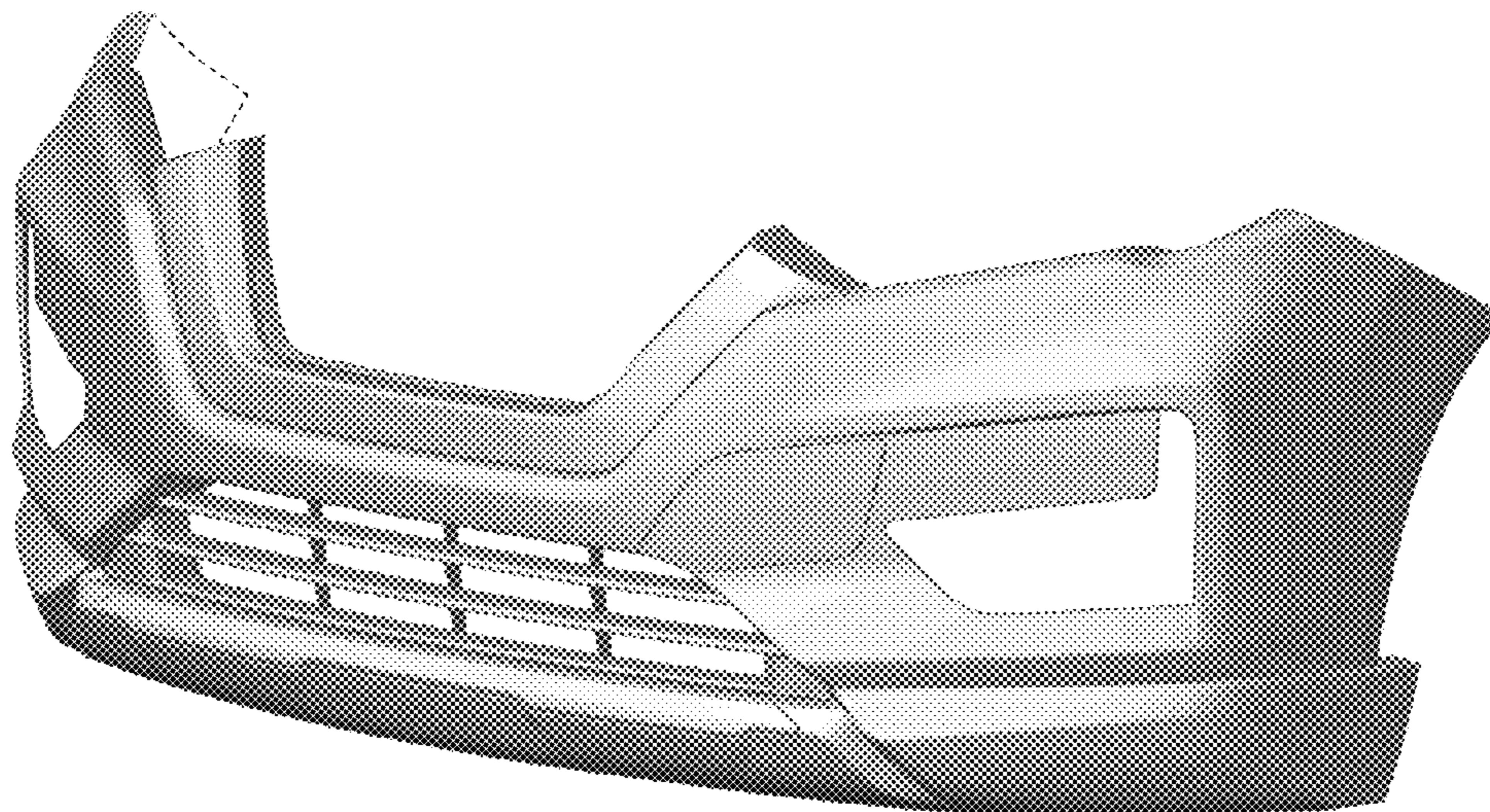
The ornamental design for an front bumper for automobile,
as shown and described.

DESCRIPTION

FIG. 1 is a front elevational view of a front bumper for an
automobile in accordance with our new design;
FIG. 2 is a top plan view thereof;
FIG. 3 is a bottom plan view thereof;
FIG. 4 is a left side elevational view thereof;
FIG. 5 is a right side elevational view thereof;
FIG. 6 is a bottom, front, and left-side perspective view
thereof; and,
FIG. 7 is a top, front, and right-side perspective view
thereof.
The broken lines in the drawings illustrate portions of the
front bumper for automobile that form no part of the claimed
design.

(56) **References Cited**
U.S. PATENT DOCUMENTS
7,434,872 B2* 10/2008 Steller B60R 19/18
296/155
D637,945 S * 5/2011 Nakagawa D12/169
D685,301 S * 7/2013 Watanabe D12/169
D691,526 S * 10/2013 Uchino D12/169
D698,710 S * 2/2014 Endo D12/169
D703,117 S * 4/2014 Osborne D12/169
D708,997 S * 7/2014 Koizumi D12/169
D717,703 S * 11/2014 Munson D12/169
D718,189 S * 11/2014 Krieg D12/92

1 Claim, 7 Drawing Sheets



US D809,980 S

Page 2

(56)

References Cited

U.S. PATENT DOCUMENTS

2009/0243315 A1* 10/2009 Goldsberry B60R 19/18
293/155
2011/0049913 A1* 3/2011 Bernt B60R 19/48
293/102
2012/0292931 A1* 11/2012 Mizoguchi B60R 19/24
293/102

FOREIGN PATENT DOCUMENTS

JP D1401635 S 11/2010
JP D1426524 S 11/2011
JP D1454380 S 11/2012
JP D1451045 S 1/2013
JP D1483828 S 11/2013
JP D1484950 S 11/2013
JP D1498810 S 6/2014
JP D1458119 S 12/2014

JP D1518711 S 3/2015
JP D1475942 S 7/2015
JP D1540609 S 12/2015
JP D1517392 S 2/2016
JP D1518665 S 2/2016
JP D1548747 S 5/2016
JP D1553169 S 7/2016
JP D1554598 S 7/2016
JP D1562807 S 11/2016
JP D1568807 S 2/2017
JP D1569008 S 2/2017
JP D1569024 S 2/2017
JP D1546047 S 3/2017
JP D1572294 S 3/2017
JP D1562919 S 4/2017
JP D1574865 S 4/2017
JP D1576063 S 5/2017
JP D1527903 S 6/2017
JP D1575605 S 7/2017

* cited by examiner

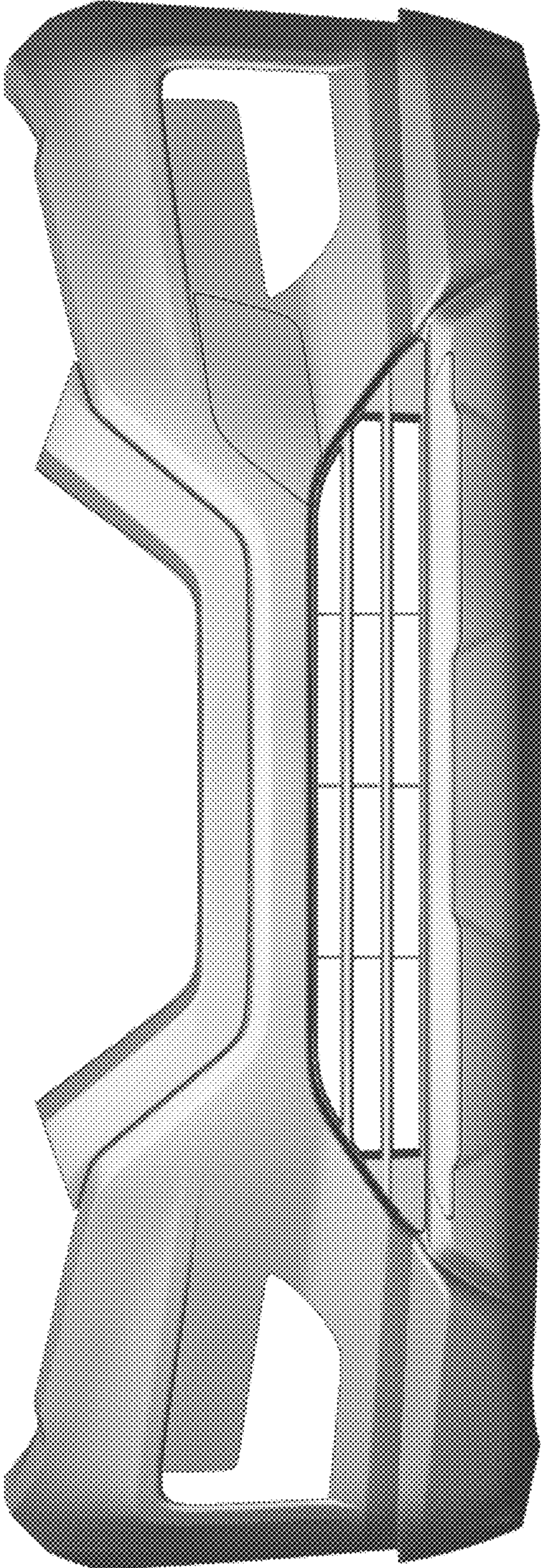


FIG. 1

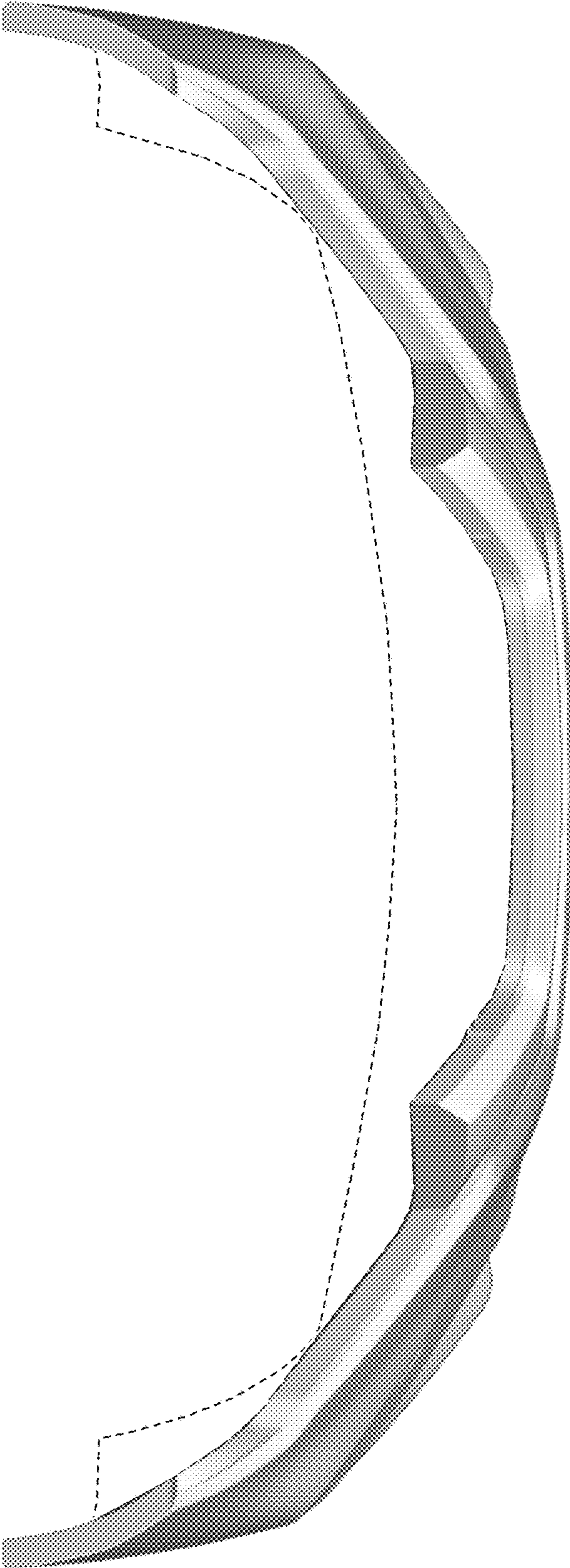


FIG. 2

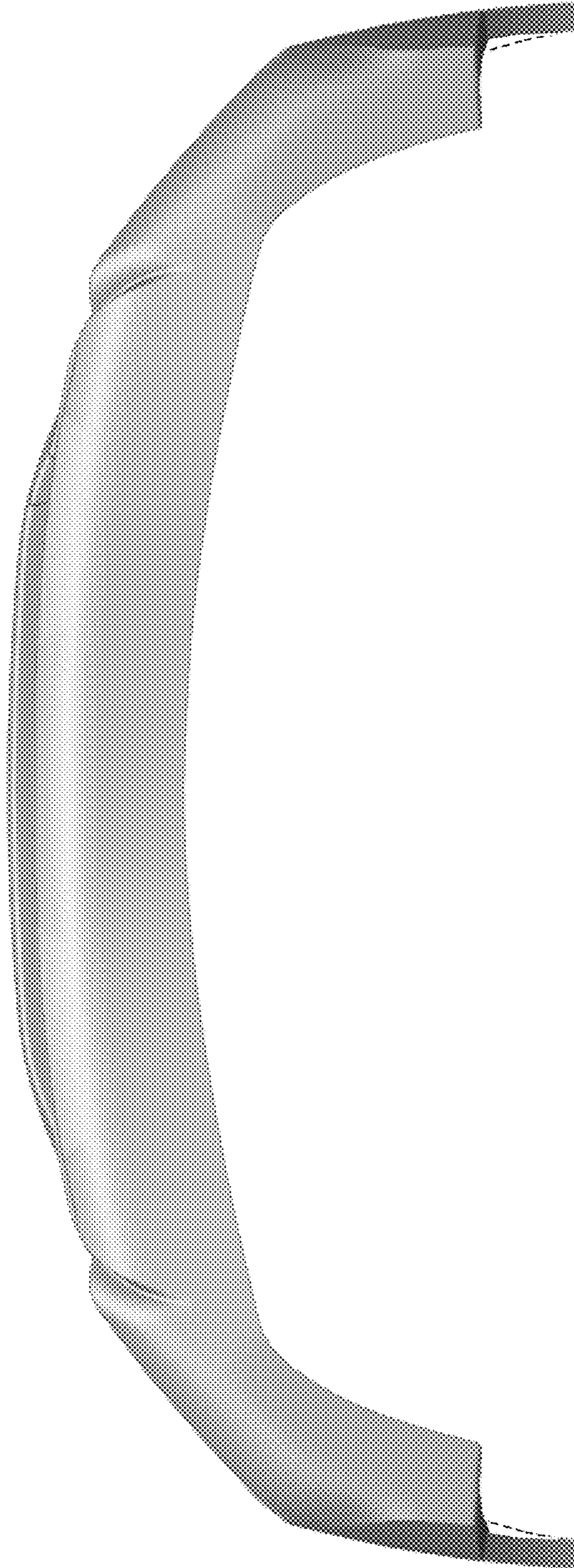


FIG. 3

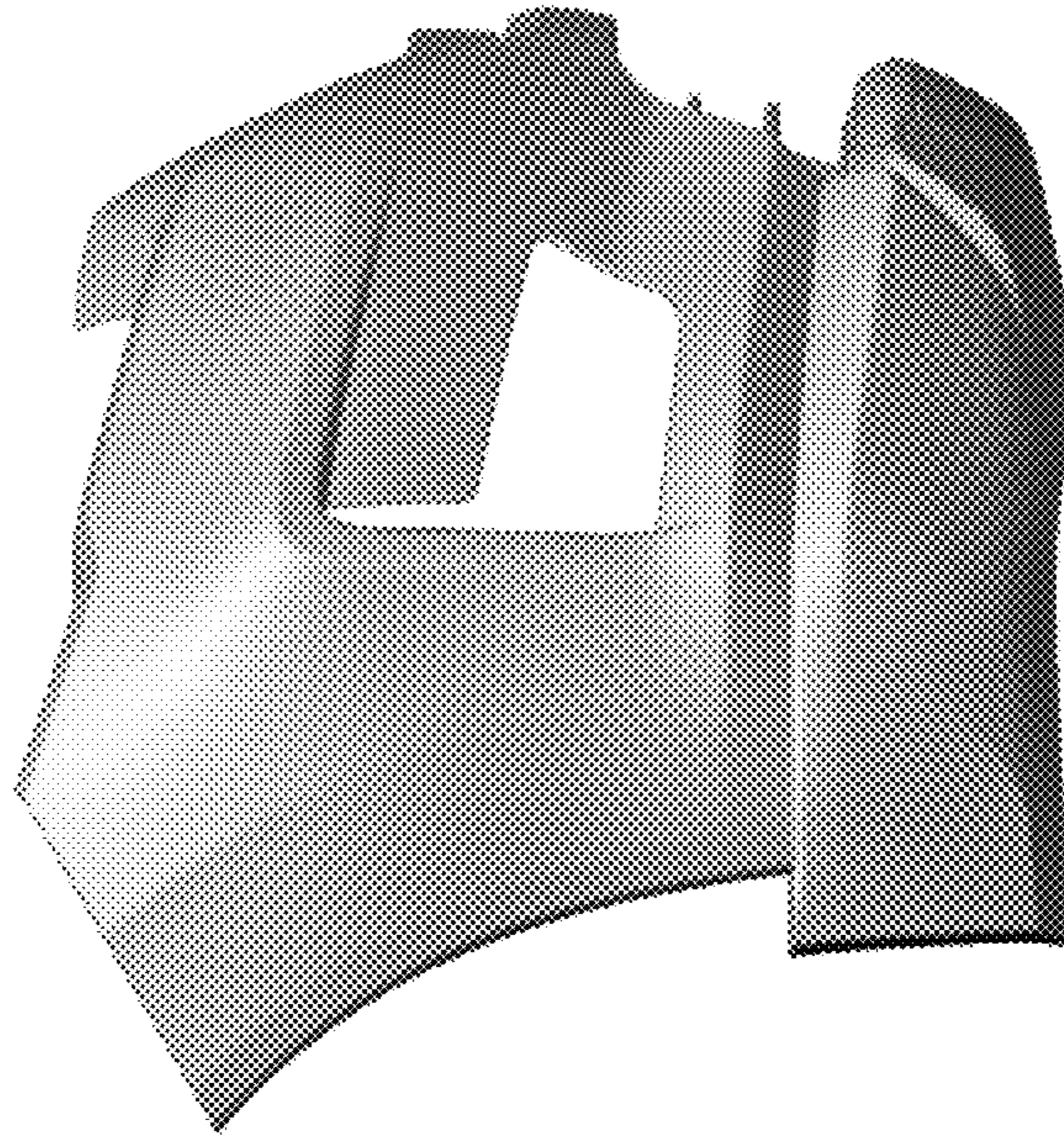


FIG. 4

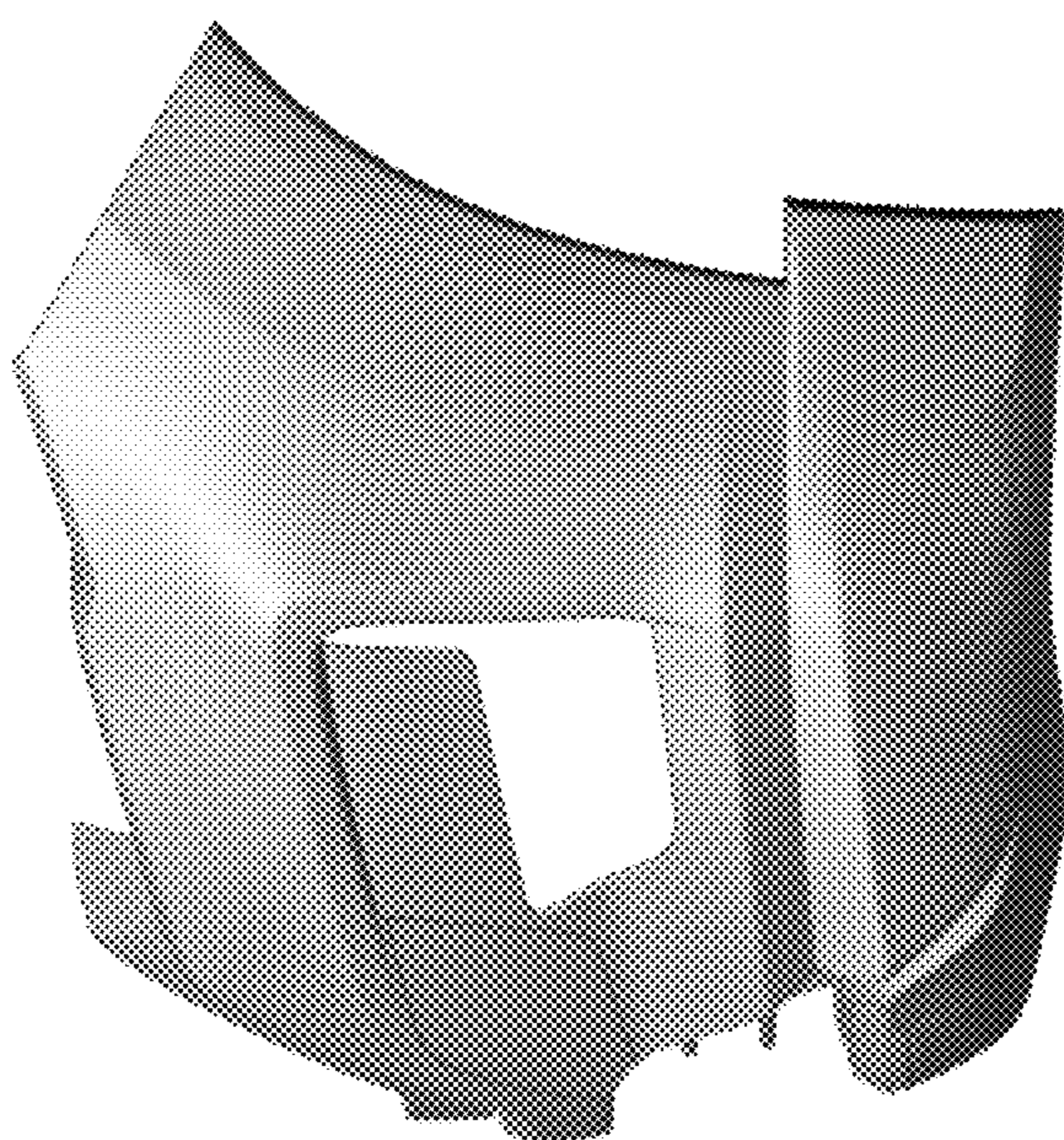


FIG. 5

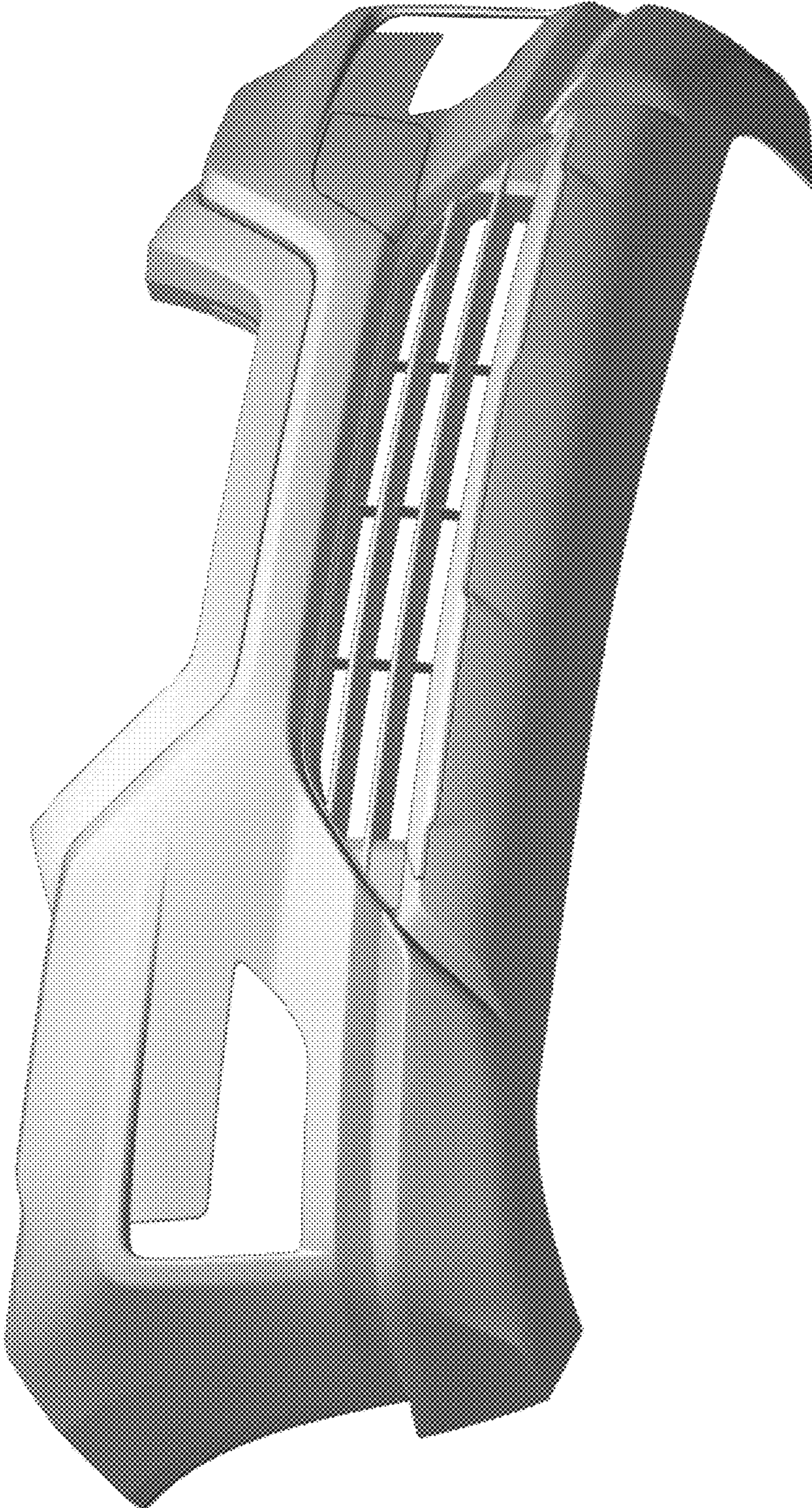


FIG. 6

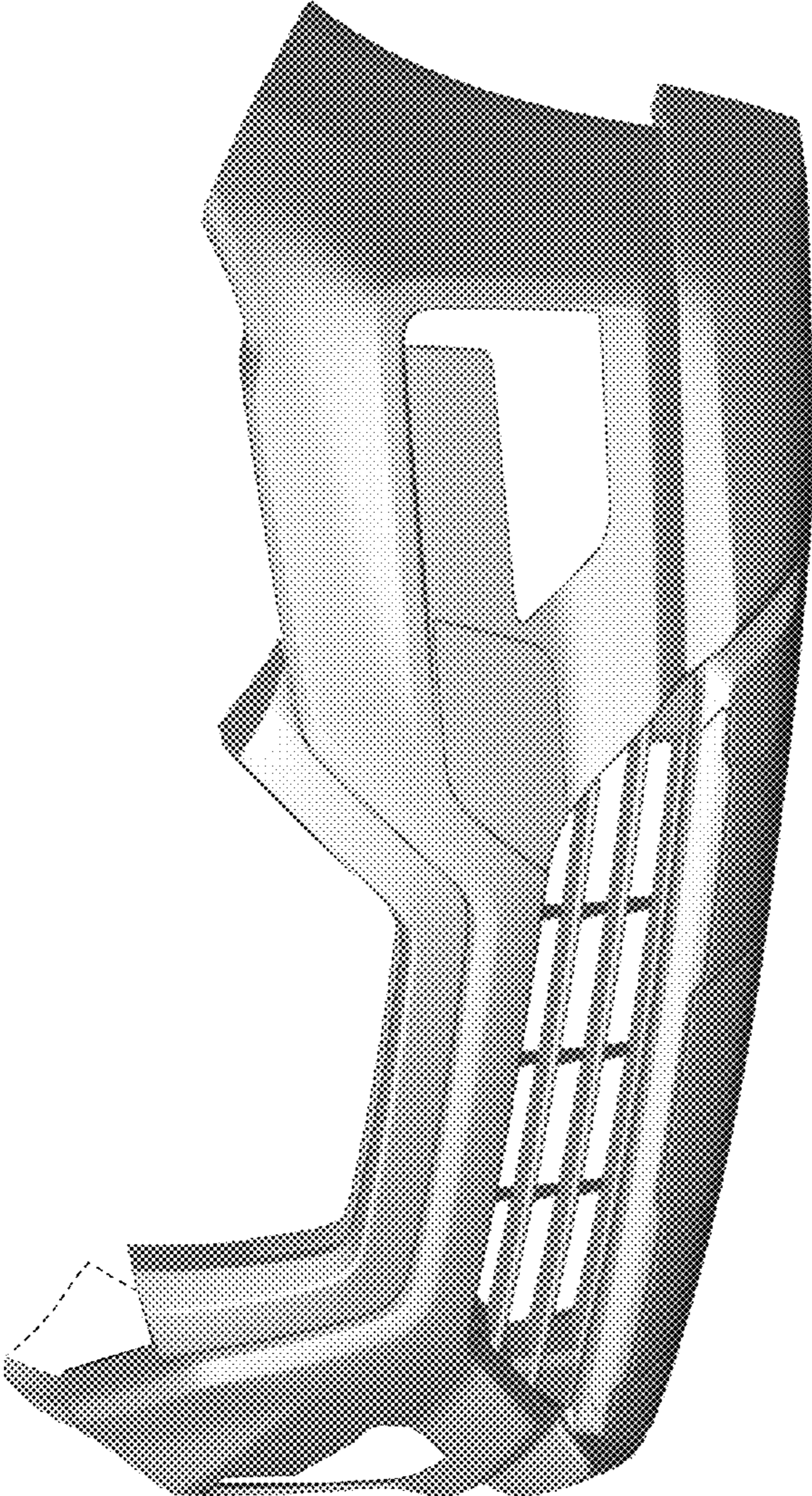


FIG. 7