



US00D809979S

(12) **United States Design Patent** (10) **Patent No.:** **US D809,979 S**
Tanaka (45) **Date of Patent:** **** Feb. 13, 2018**

(54) **RADIATOR GRILLE FOR AUTOMOBILE**

(71) Applicant: **Nissan Motor Co., Ltd.**, Yokohama, Kanagawa (JP)

(72) Inventor: **Satoshi Tanaka**, Kanagawa (JP)

(73) Assignee: **Nissan Motor Co., Ltd.**, Yokohama (JP)

(**) Term: **15 Years**

(21) Appl. No.: **29/584,448**

(22) Filed: **Nov. 15, 2016**

(30) **Foreign Application Priority Data**

May 16, 2016 (JP) 2016-010308

(51) **LOC (11) Cl.** **12-16**

(52) **U.S. Cl.**
USPC **D12/163**

(58) **Field of Classification Search**
USPC D12/86, 90, 91, 92, 163, 169, 196, 171, D12/216; D15/31
CPC . B60R 19/52; B60R 2019/525; B60K 11/085; B62D 25/084; H01Q 1/32
See application file for complete search history.

(56) **References Cited**

U.S. PATENT DOCUMENTS

D497,849 S *	11/2004	Yanase	D12/163
D523,381 S *	6/2006	Taguchi	D12/163
D537,019 S *	2/2007	Pfeiffer	D12/163
D557,177 S *	12/2007	Endo	D12/91
D573,924 S *	7/2008	Tachibana	D12/163
D575,688 S *	8/2008	Miyata	D12/163
D592,111 S *	5/2009	Janik	D12/163
D592,564 S *	5/2009	Kusamoto	D12/163
D610,052 S *	2/2010	Watanabe	D12/163
D614,542 S *	4/2010	Kasai	D12/163

D634,676 S *	3/2011	Iida	D12/163
D635,065 S *	3/2011	Seo	D12/163
D665,314 S *	8/2012	Fukui	D12/163
D665,315 S *	8/2012	Matsuno	D12/163
D670,214 S *	11/2012	Watanabe	D12/163
D682,164 S *	5/2013	Fuchigami	D12/163
D686,117 S *	7/2013	Tase	D12/163
D702,600 S *	4/2014	Akojima	D12/163
D705,137 S *	5/2014	Kawasaki	D12/163
D734,693 S *	7/2015	Koizumi	D12/163
D755,090 S *	5/2016	Ino	D12/163
D766,782 S *	9/2016	Arroba	D12/163

(Continued)

FOREIGN PATENT DOCUMENTS

JP	D1327227 S	4/2008
JP	D1328794 S	6/2008

(Continued)

Primary Examiner — Darlington Ly

(74) *Attorney, Agent, or Firm* — Global IP Counselors, LLP

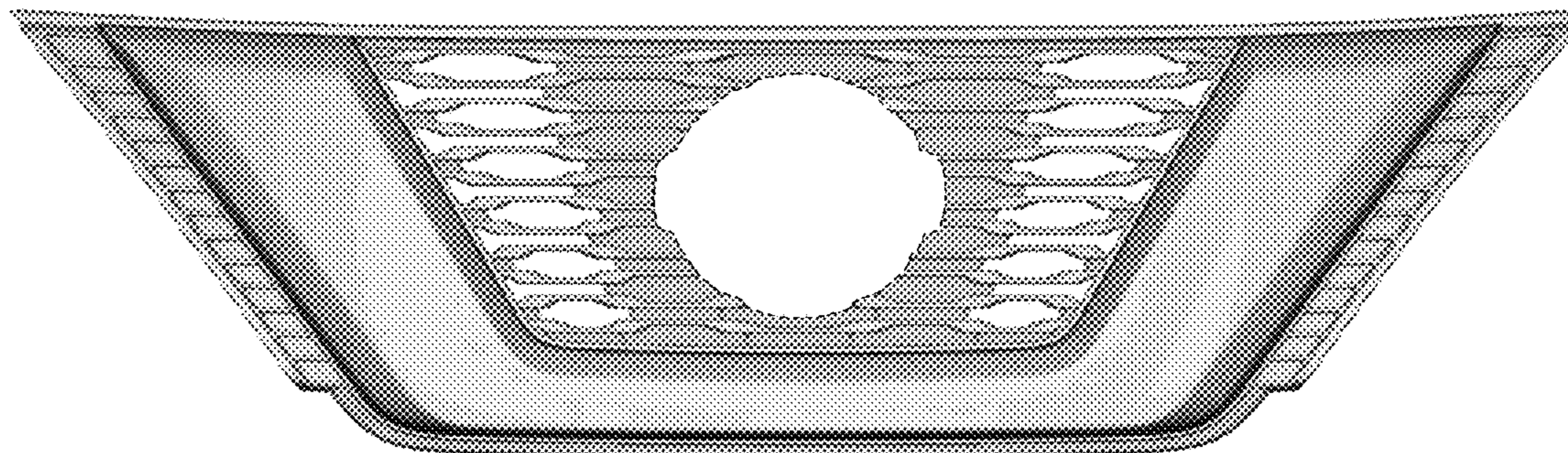
(57) **CLAIM**

The ornamental design for a radiator grille for automobile, as shown and described.

DESCRIPTION

FIG. 1 is a front perspective view of a radiator grille for automobile showing my new design; FIG. 2 is a top plan view thereof; FIG. 3 is a bottom plan view thereof; FIG. 4 is a left-side elevation view thereof; FIG. 5 is a right-side elevation view thereof; FIG. 6 is a front and right-side perspective view thereof; and, FIG. 7 is a front and left-side perspective view thereof. The broken lines in the drawings illustrate portions of the radiator grille for automobile that form no part of the claimed design.

1 Claim, 7 Drawing Sheets



(56)

References Cited

U.S. PATENT DOCUMENTS

D774,999 S * 12/2016 Liu D12/163
 D783,465 S * 4/2017 Choi D12/163
 D789,844 S * 6/2017 Sakai D12/163
 D789,845 S * 6/2017 Oohashi D12/163
 2008/0073920 A1* 3/2008 Knauer B60K 11/085
 293/115
 2010/0015434 A1* 1/2010 Iwata C08G 18/6216
 428/327

FOREIGN PATENT DOCUMENTS

JP D1380440 S 2/2010
 JP D1380442 S 2/2010
 JP D1398264 S 10/2010
 JP D1398265 S 10/2010
 JP D1412379 S 4/2012

JP D1412381 S 4/2012
 JP D1412407 S 4/2012
 JP D1412408 S 4/2012
 JP D1443475 S 6/2012
 JP D1454379 S 11/2012
 JP D1475446 S 7/2013
 JP D1499095 S 6/2014
 JP D1501242 S 6/2014
 JP D1505554 S 8/2014
 JP D1505563 S 8/2014
 JP D1489458 S 2/2015
 JP D1501247 S 6/2015
 JP D1475457 S 7/2015
 JP D1553677 S 7/2016
 JP D1562810 S 11/2016
 JP D1569573 S 2/2017
 JP D1546046 S 3/2017
 JP D1572293 S 3/2017
 JP D1572300 S 3/2017

* cited by examiner

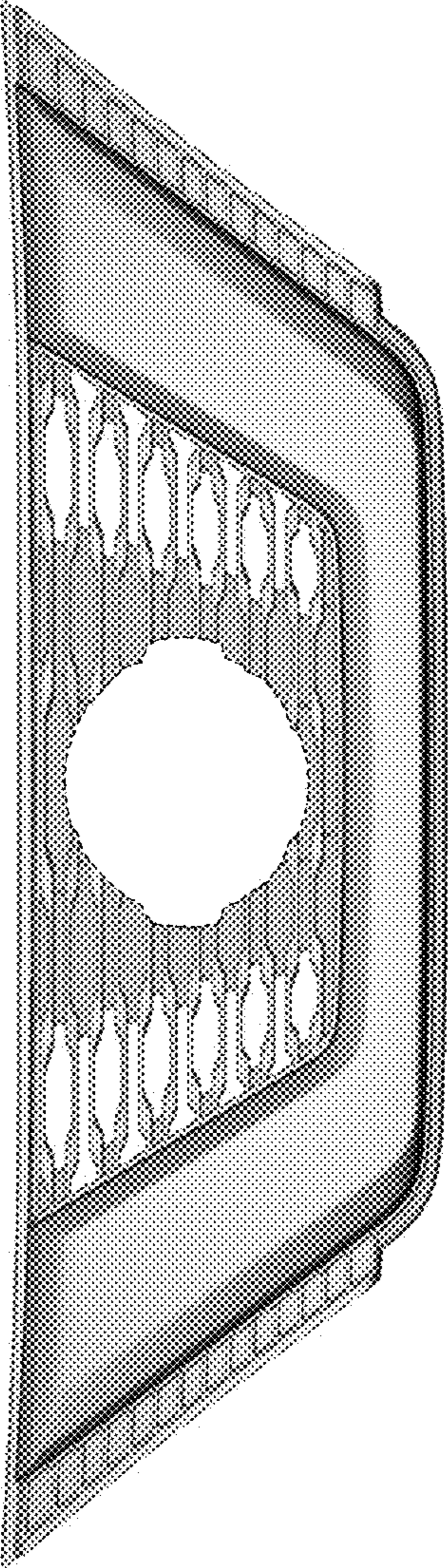


FIG. 1

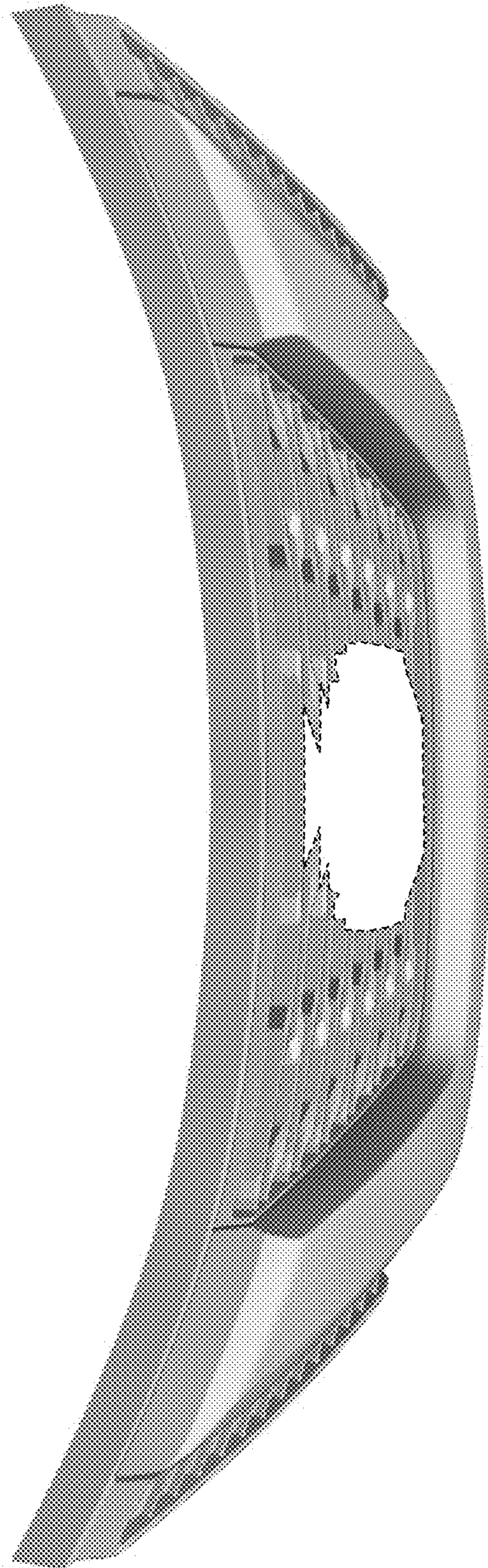


FIG. 2

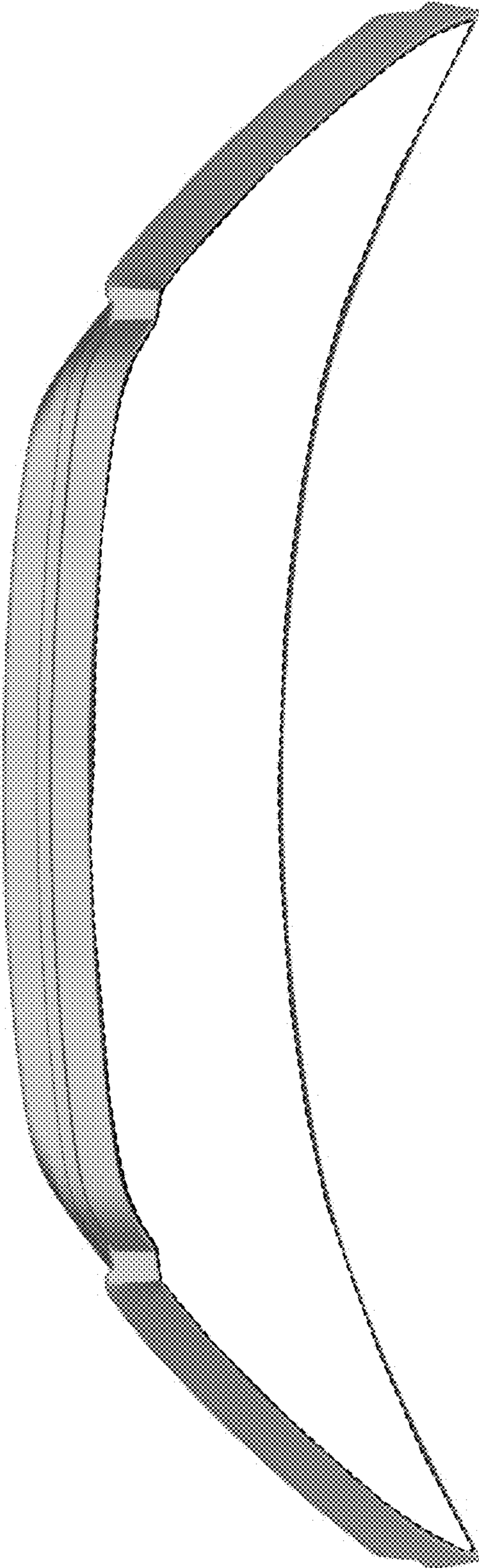


FIG. 3

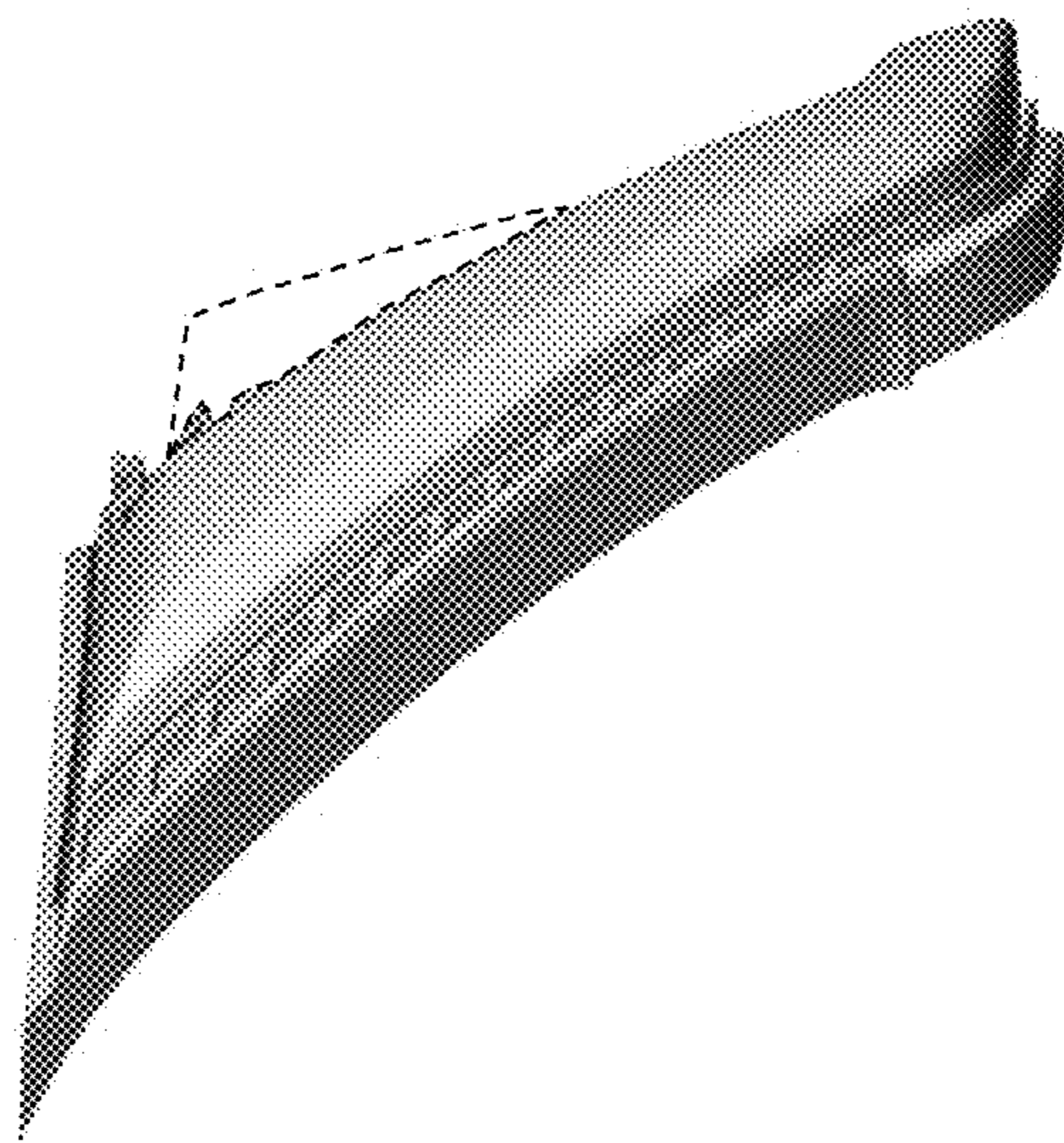


FIG. 4

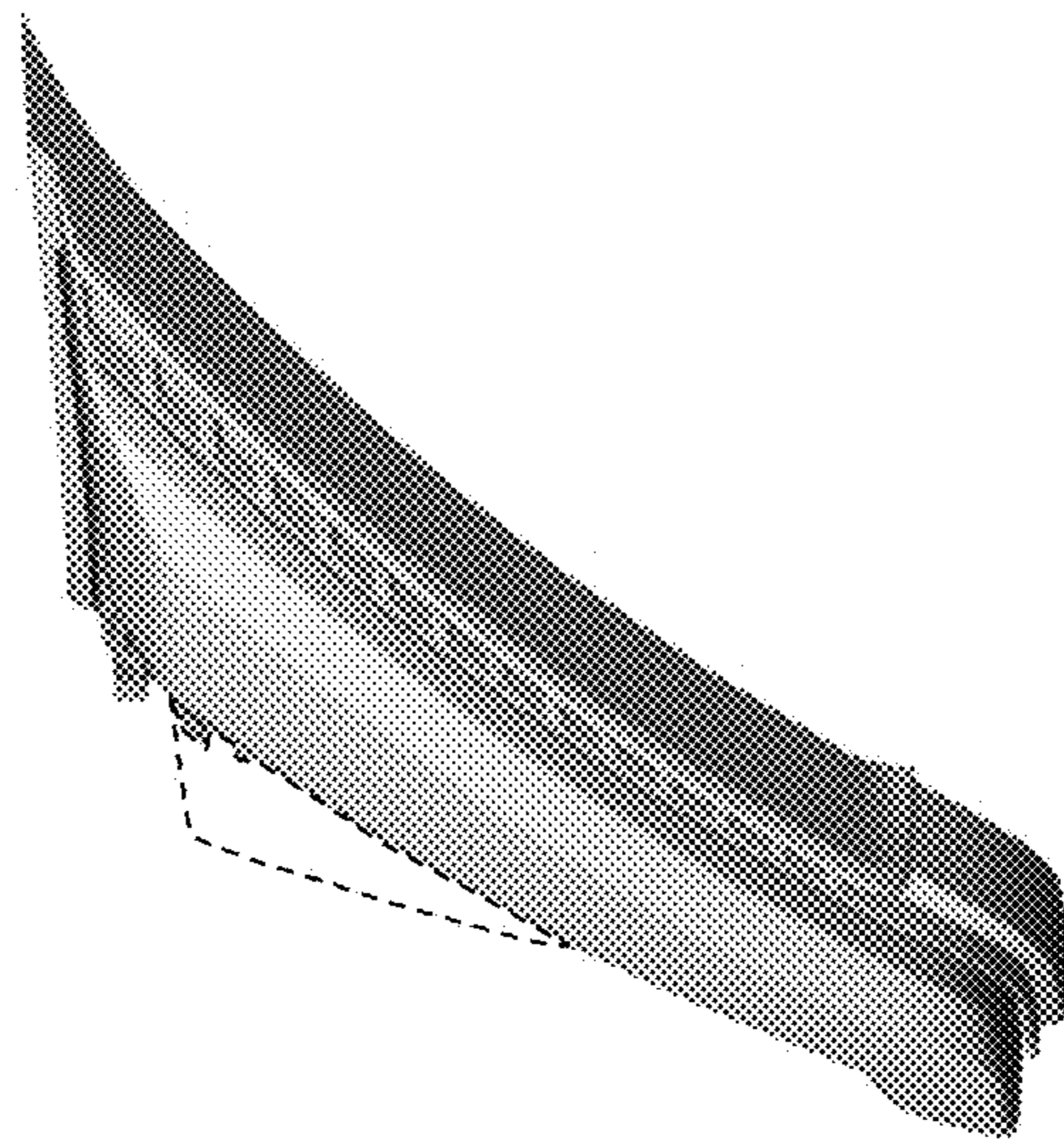


FIG. 5

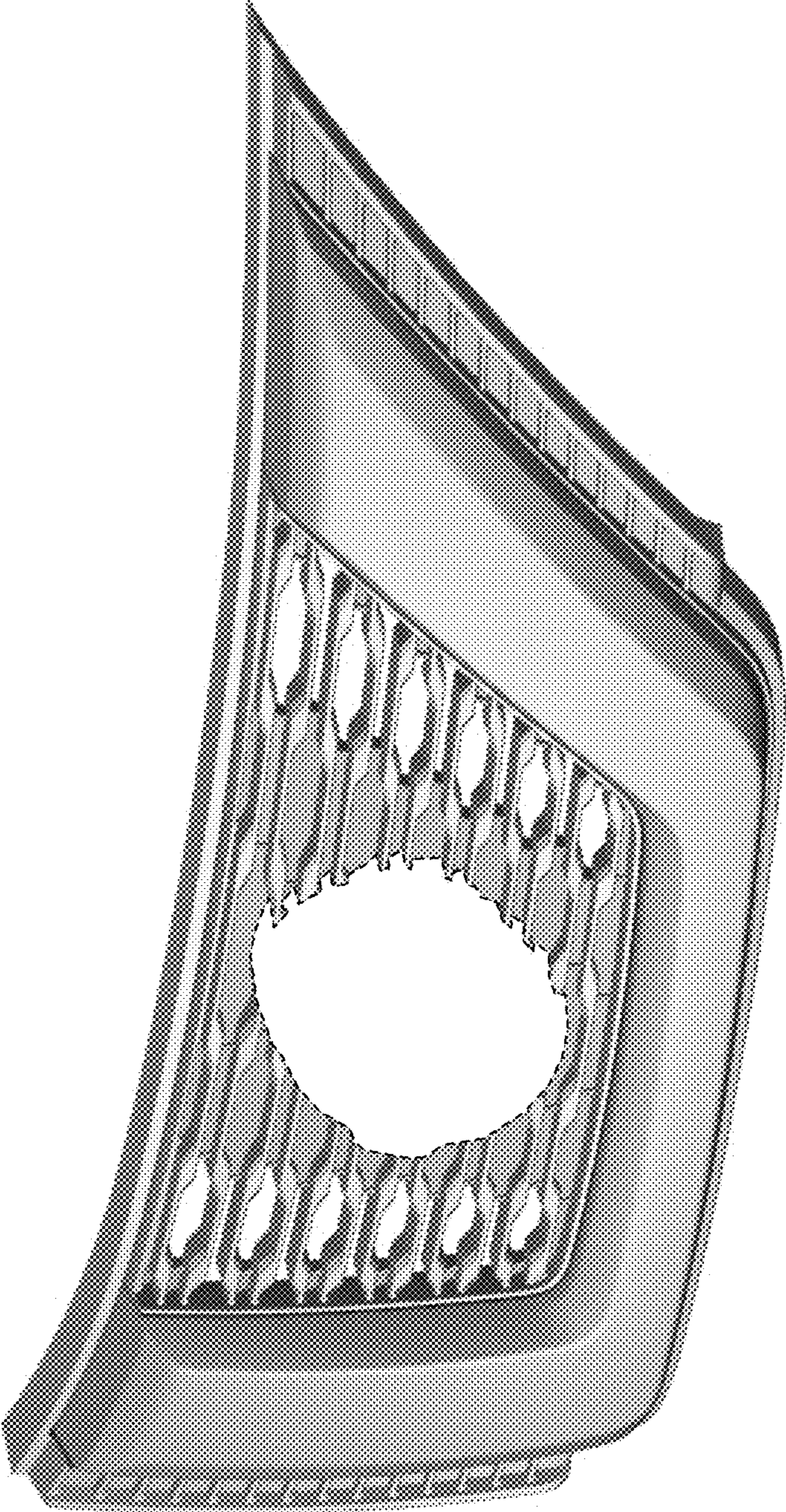


FIG. 6

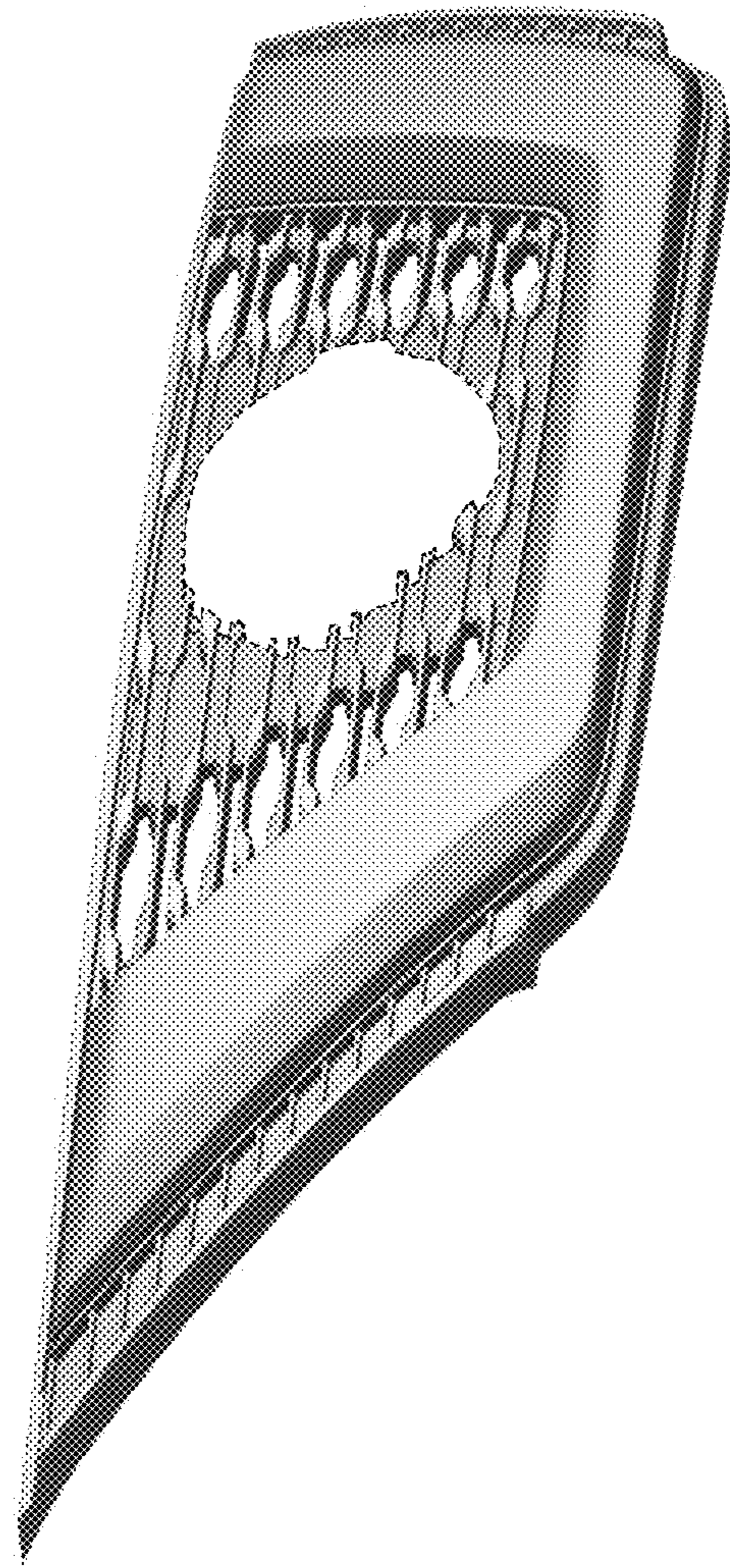


FIG. 7