



US00D809977S

(12) **United States Design Patent** (10) **Patent No.:** **US D809,977 S**
Smith (45) **Date of Patent:** **** Feb. 13, 2018**

(54) **CAMBER MOUNT**
(71) Applicant: **Steeda Autosports, Inc.**, Valdosta, GA
(US)
(72) Inventor: **Brandon Lee Smith**, Valdosta, GA
(US)
(73) Assignee: **Steeda Autosports, Inc.**, Valdosta, GA
(US)

(**) Term: **15 Years**

(21) Appl. No.: **29/587,436**

(22) Filed: **Dec. 13, 2016**

(51) **LOC (11) Cl.** **12-16**

(52) **U.S. Cl.**
USPC **D12/159**

(58) **Field of Classification Search**
USPC D8/394-396, 382, 354, 373, 364, 349;
D12/420, 159-160, 179-180; D14/238,
D14/432
CPC F25D 2400/26; H01Q 1/08; A47B 96/06;
A24F 19/0092; F16D 65/092; F16B 37/04
See application file for complete search history.

(56) **References Cited**

U.S. PATENT DOCUMENTS

111,756 A * 2/1871 Lewis F16D 65/092
188/244
D31,083 S * 6/1899 Seng D8/394
1,927,012 A * 9/1933 Blume F16D 65/092
188/242
D224,082 S * 7/1972 Kolstee, Sr. D8/382
D240,398 S * 7/1976 McKee D8/382
D257,664 S * 12/1980 McKee D8/354
D257,948 S * 1/1981 Klingensmith D6/526
D260,481 S * 9/1981 Norcross D8/354
5,110,243 A * 5/1992 Oh F16B 13/0808
411/344
D348,827 S * 7/1994 Berti D8/382
D359,466 S * 6/1995 Eggers D12/115

D373,075 S * 8/1996 Miyashita D8/382
D426,453 S * 6/2000 Stearns D8/354
D434,295 S * 11/2000 Liang D8/354
D563,769 S * 3/2008 Short D8/354
D576,472 S * 9/2008 Gaiardo D8/354
D633,779 S * 3/2011 Bennett D8/354
D635,445 S * 4/2011 Foresman D8/354

(Continued)

FOREIGN PATENT DOCUMENTS

EM 000123070-0001 * 11/2004
EM 001274930-0001 * 5/2011

OTHER PUBLICATIONS

Rear Camber Mount, HorizonHobby, review date 2014, ps://www.
horizonhobby.com/rear-camber-mount--aluminum%3A-glu--glf-
vtr344001, site visited Sep. 18, 2017.*

(Continued)

Primary Examiner — John Windmuller
Assistant Examiner — John R Yeh
(74) *Attorney, Agent, or Firm* — Fleit Gibbons Gutman
Bongini Bianco PL; Jon A. Gibbons

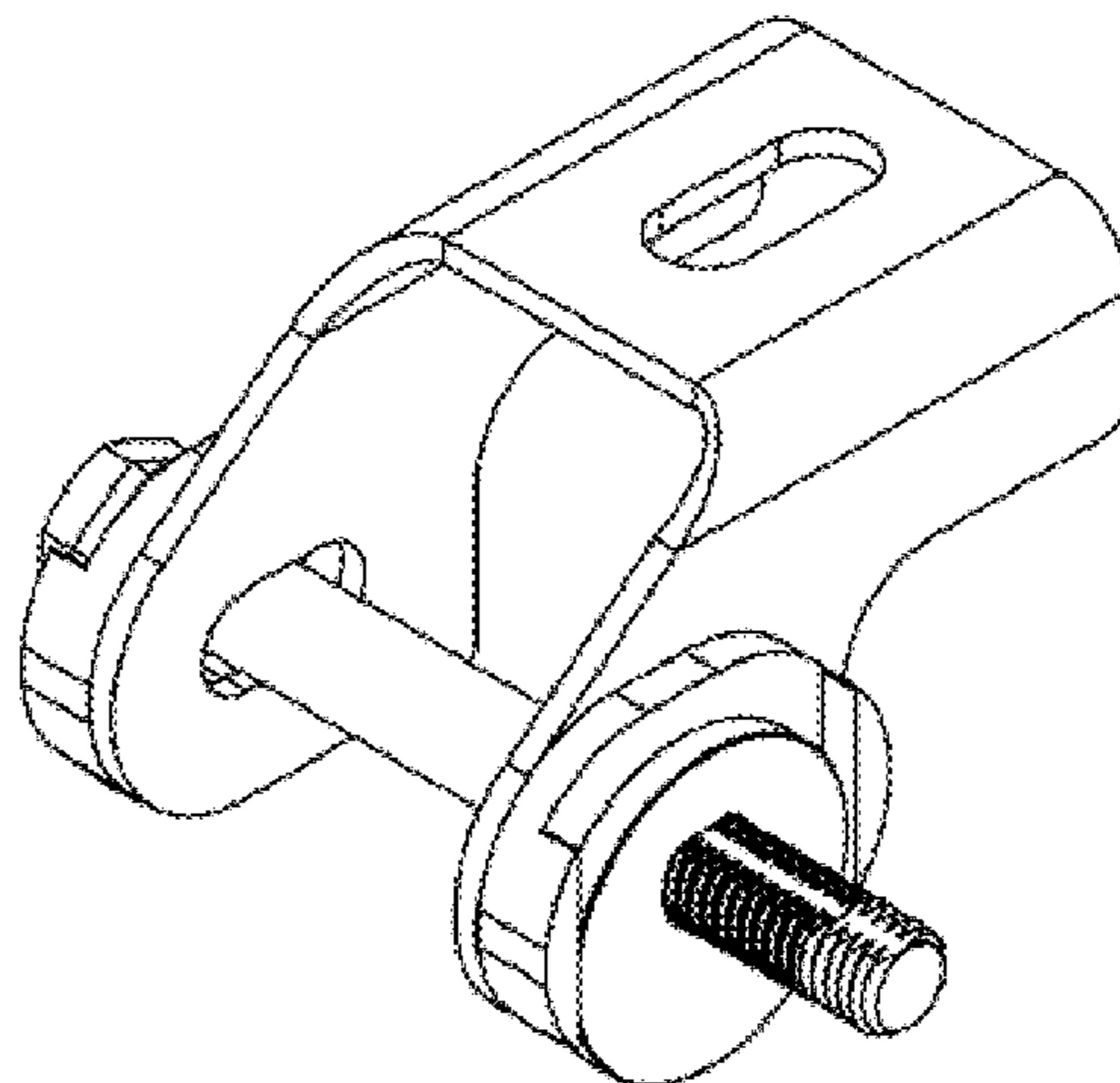
(57) **CLAIM**

The ornamental design for a camber mount, as shown and described.

DESCRIPTION

FIG. 1 is a perspective view showing our design for a camber mount;
FIG. 2 is a second perspective thereof;
FIG. 3 is a first elevational view thereof;
FIG. 4 is a second elevational view thereof;
FIG. 5 is a first side elevational view thereof;
FIG. 6 is a second side elevational thereof;
FIG. 7 is a top plan view thereof; and,
FIG. 8 is a bottom plan view thereof.

1 Claim, 8 Drawing Sheets



(56)

References Cited

U.S. PATENT DOCUMENTS

D686,952 S * 7/2013 Rau D12/160
D761,084 S * 7/2016 Cox D8/354
D782,292 S * 3/2017 Wessel D8/382
2004/0074713 A1 * 4/2004 Beattie F16D 65/092
188/73.46

OTHER PUBLICATIONS

Steeda Mustang Rear Camber Mount, review date Aug. 26, 2017,
<https://www.americanmuscle.com/steeda-rear-camber-mount-adjustment-kit-1517-gt.html>, [site visited Sep. 18, 2017 5:34:13 AM].*

* cited by examiner

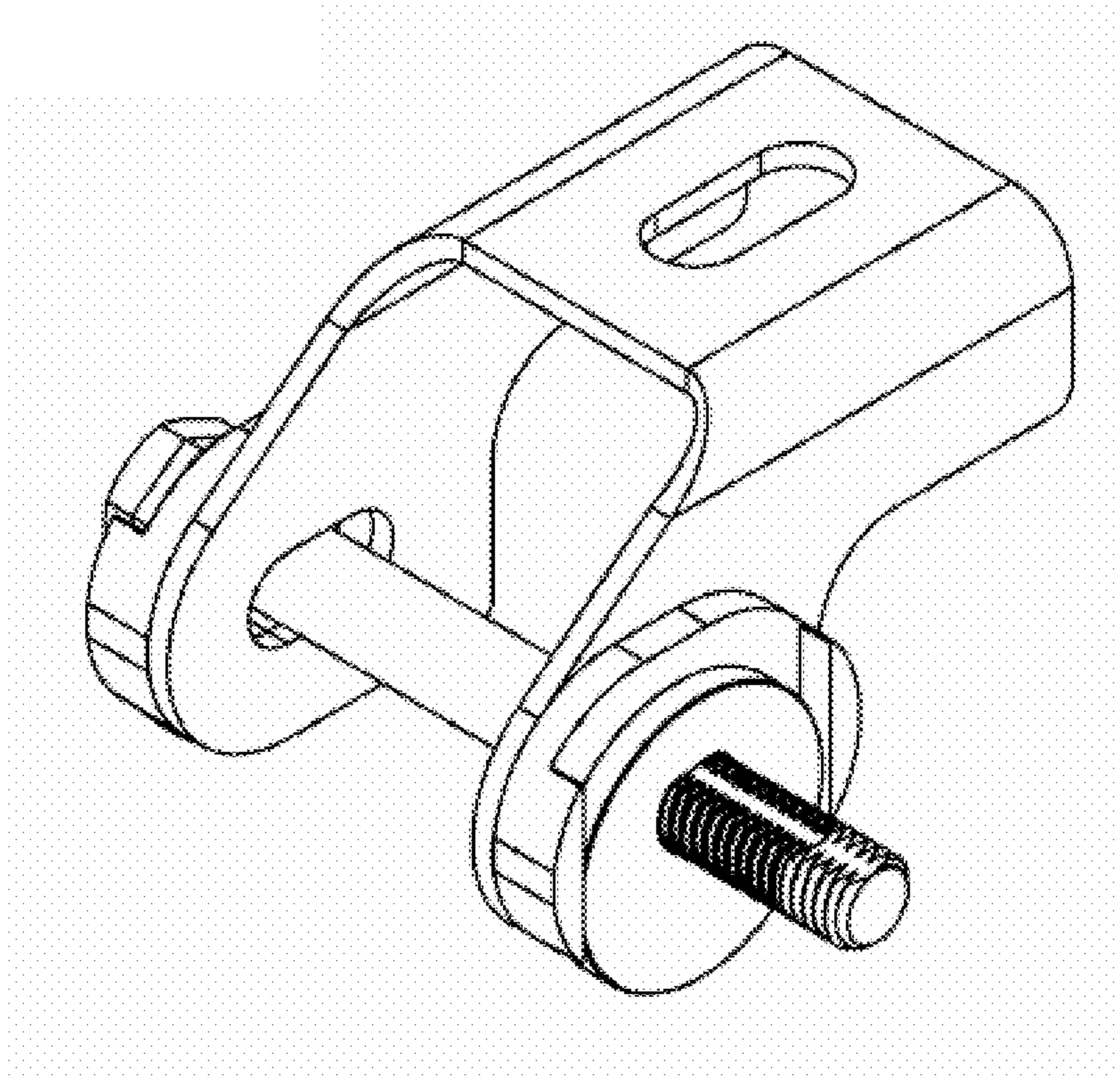


FIG. 1

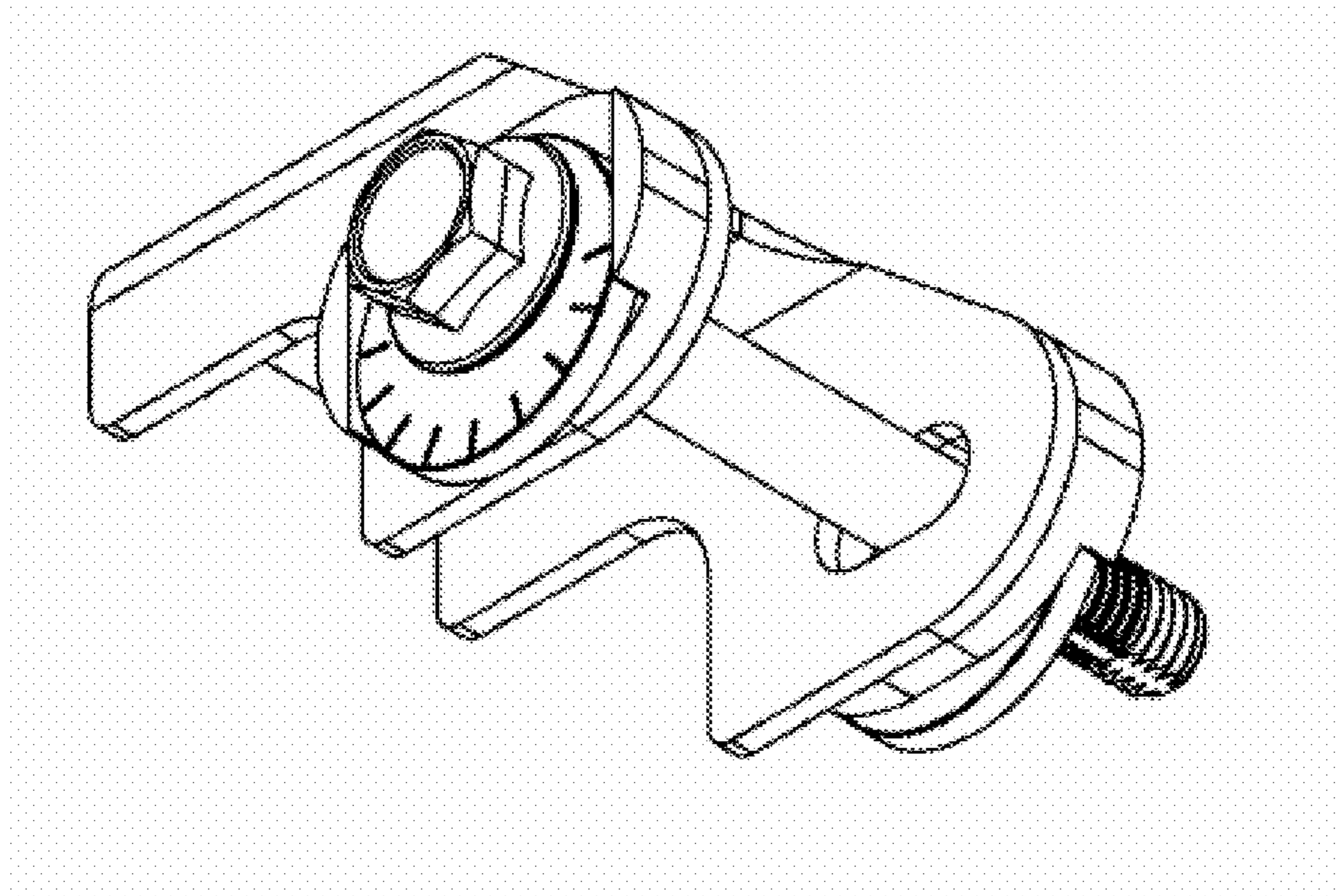


FIG. 2

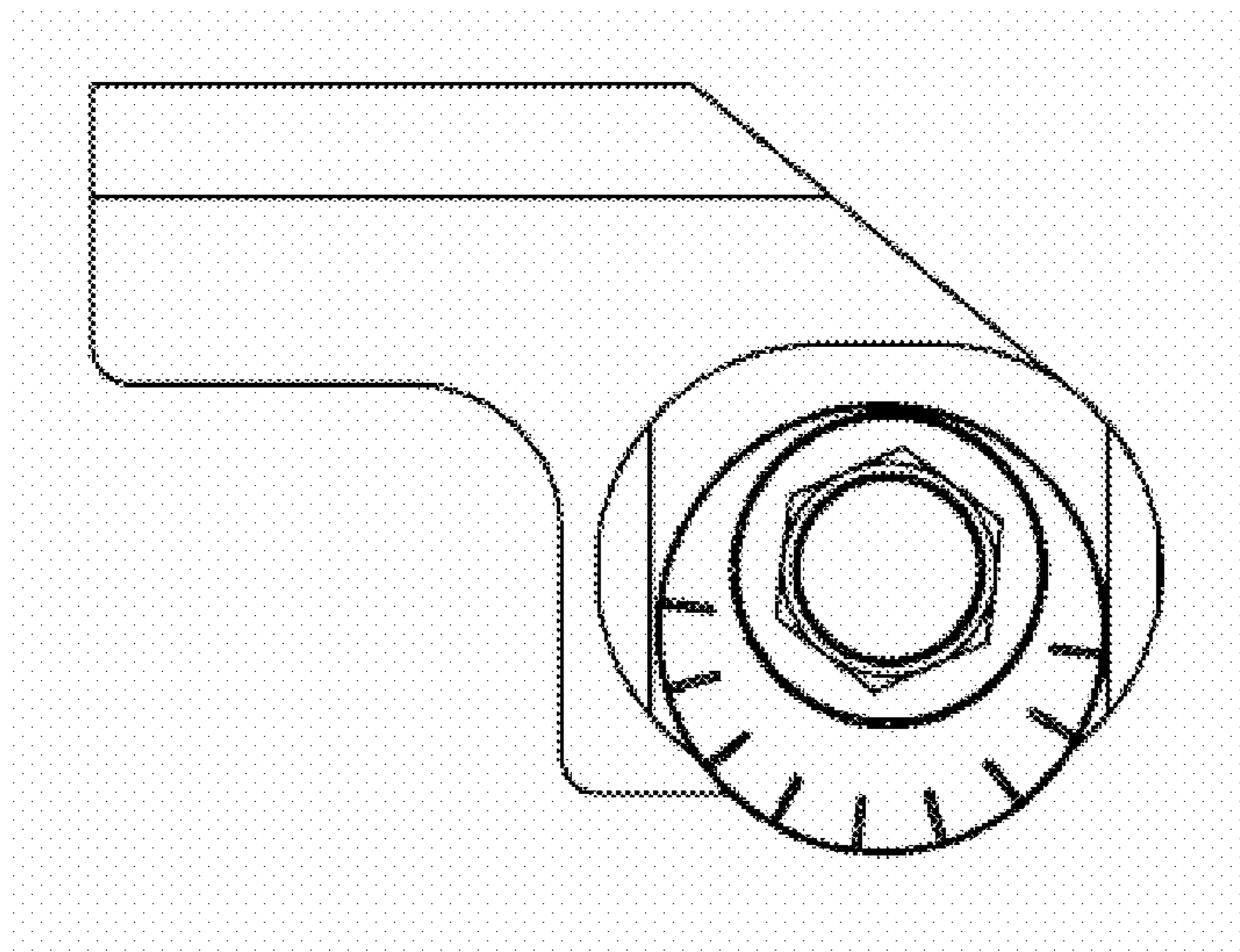


FIG. 3

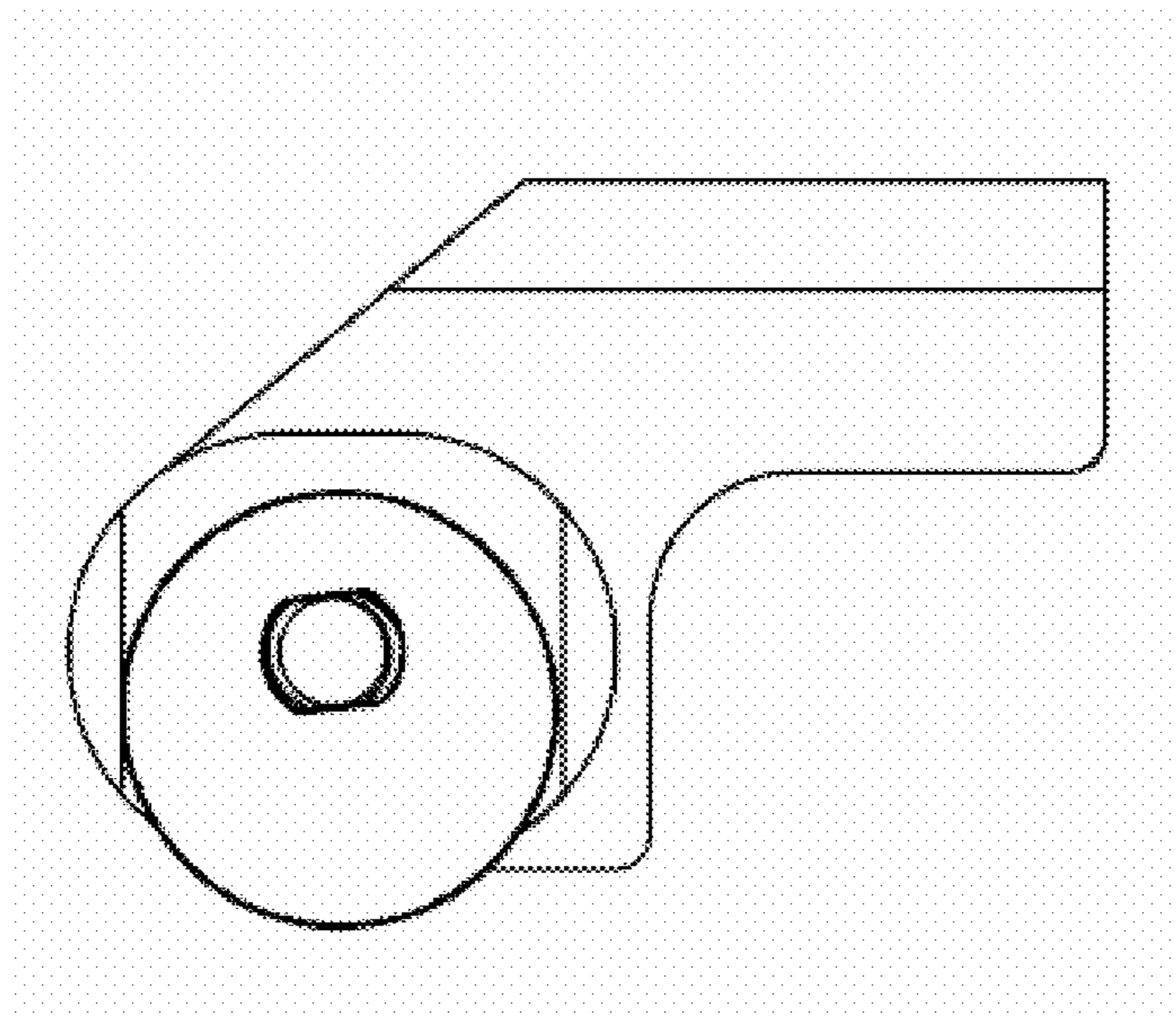


FIG. 4

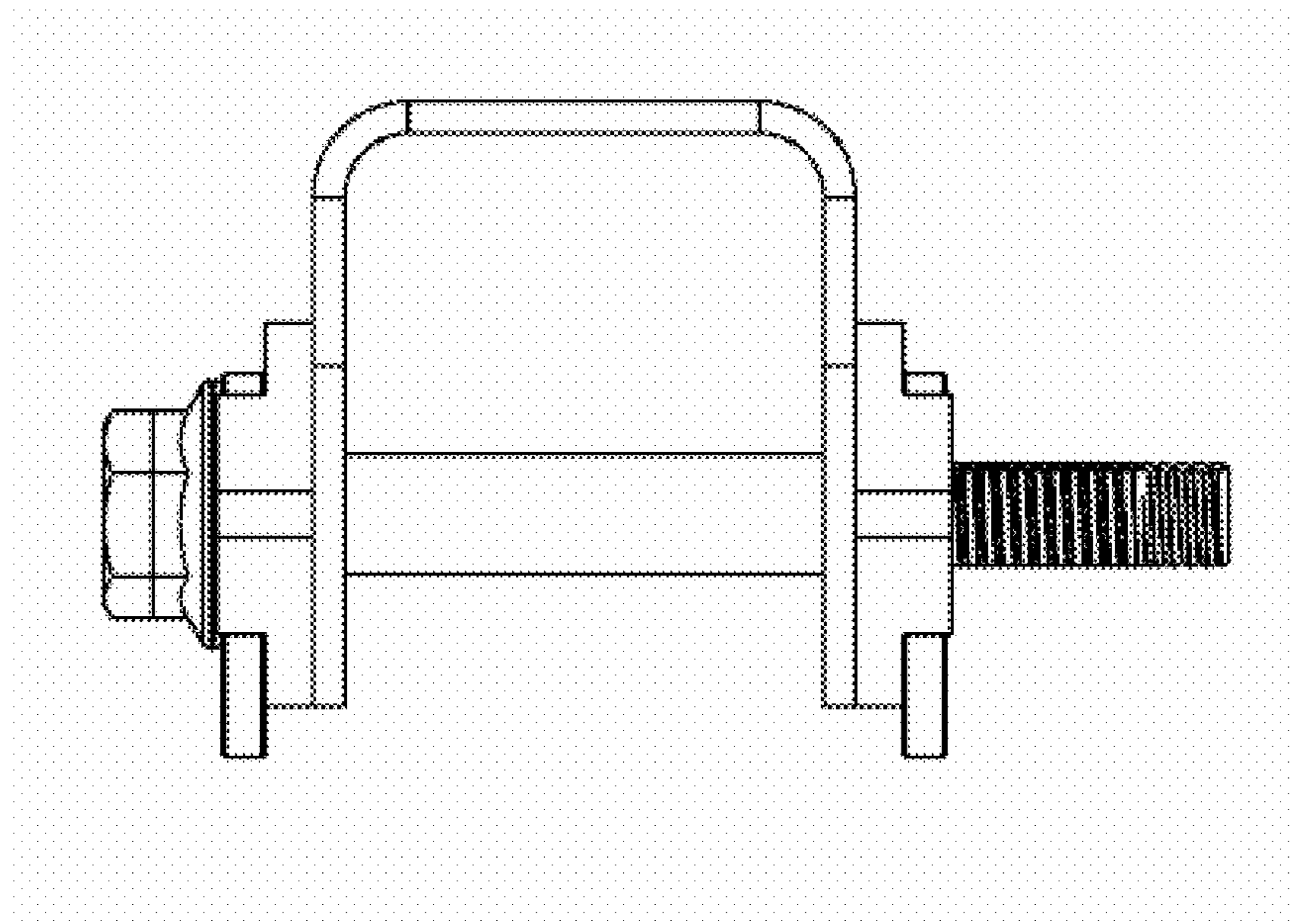


FIG. 5

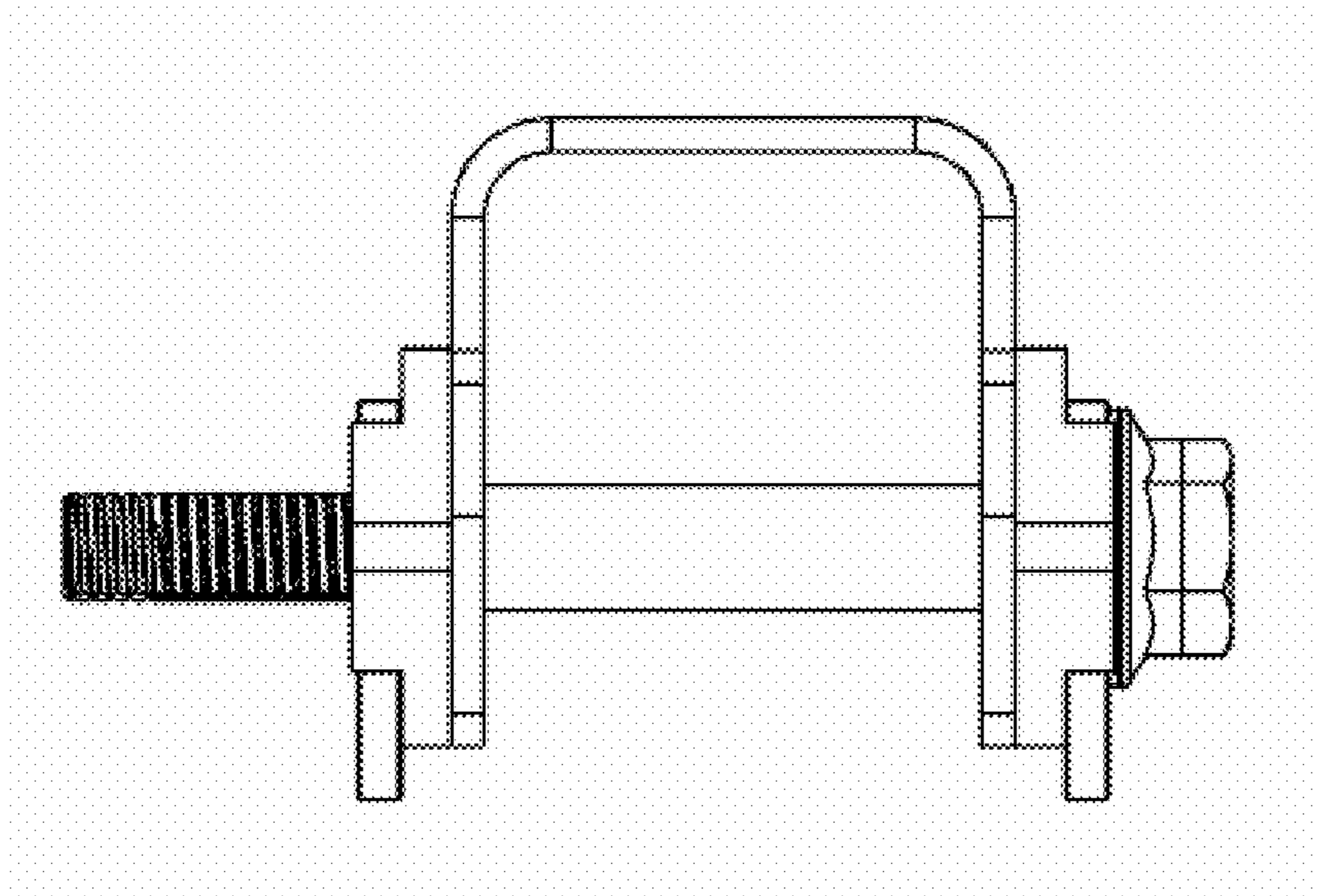


FIG. 6

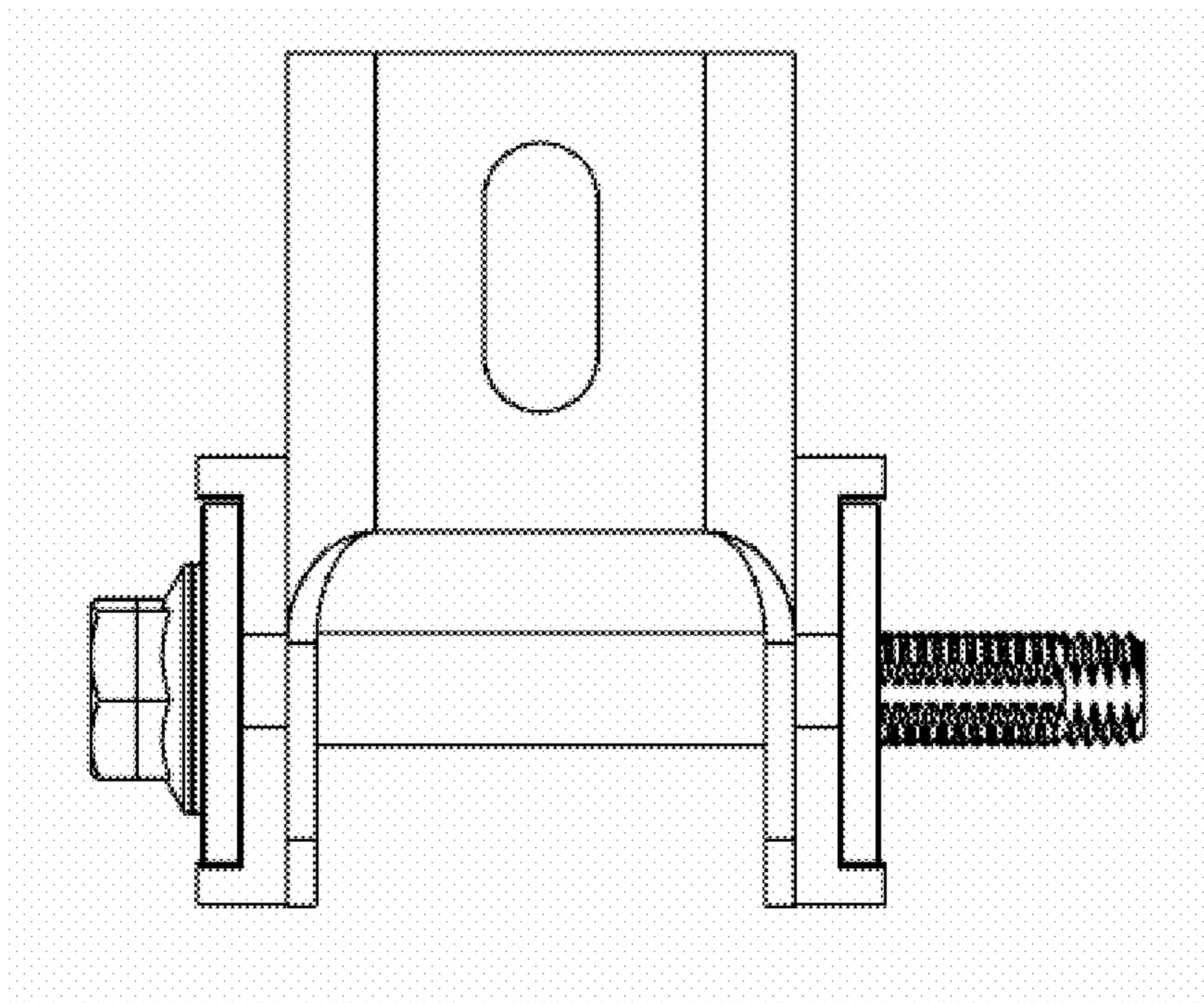


FIG. 7

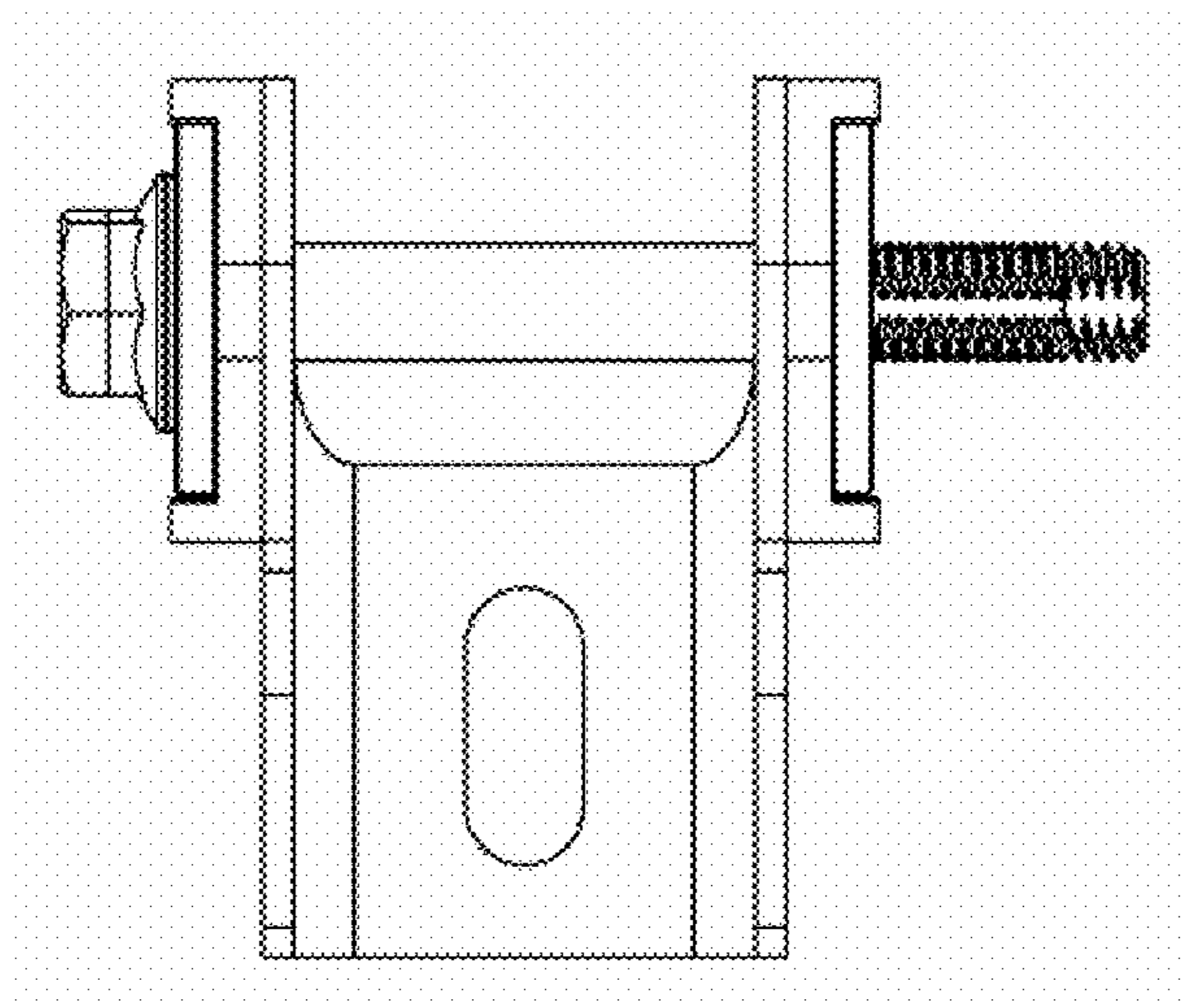


FIG. 8