



US00D809974S

(12) **United States Design Patent**
Chan

(10) **Patent No.:** **US D809,974 S**
(45) **Date of Patent:** **** Feb. 13, 2018**

(54) **FOLDABLE MOTORIZED VEHICLE**

(71) Applicant: **Perfect Union Co., Ltd.**, New Taipei (TW)

(72) Inventor: **Ching Chan**, New Taipei (TW)

(73) Assignee: **PERFECT UNION CO., LTD.**, New Taipei (TW)

(**) Term: **15 Years**

(21) Appl. No.: **29/558,209**

(22) Filed: **Mar. 16, 2016**

(51) **LOC (11) Cl.** **12-12**

(52) **U.S. Cl.**
USPC **D12/131**

(58) **Field of Classification Search**
USPC D12/128–133
CPC A61G 5/00–5/14
See application file for complete search history.

(56) **References Cited**

U.S. PATENT DOCUMENTS

D489,652 S * 5/2004 Roach D12/131
D510,715 S * 10/2005 Wu D12/128

D531,094 S * 10/2006 Flowers D12/131
D560,564 S * 1/2008 Cheng D12/131
D654,407 S * 2/2012 Zanderlehn D12/131
D744,380 S * 12/2015 Cheng B62B 3/02
D12/128
D765,559 S * 9/2016 Chan D12/131

* cited by examiner

Primary Examiner — Charles Hanson

(74) *Attorney, Agent, or Firm* — Jackson IPG PLLC;
Demian K. Jackson

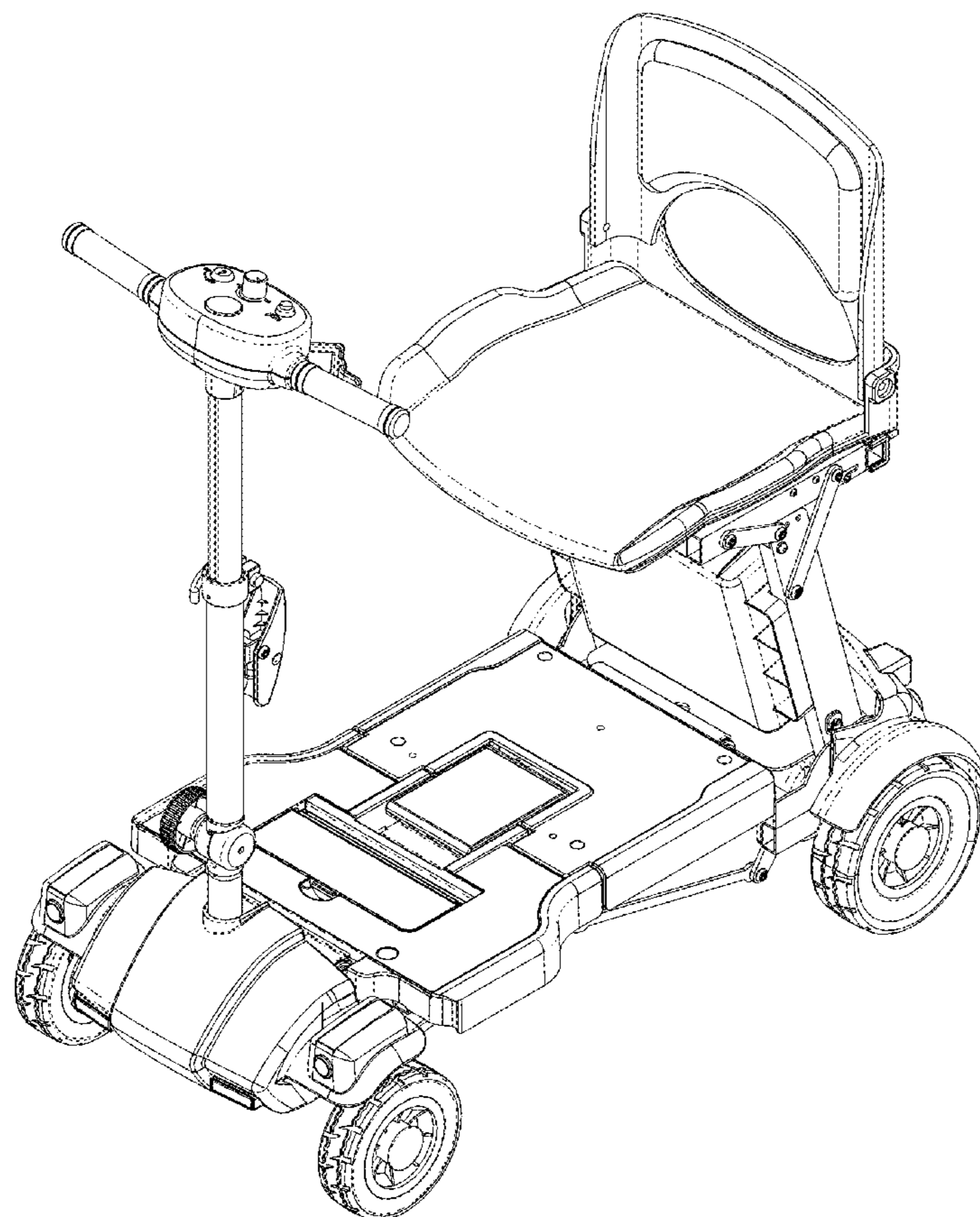
(57) **CLAIM**

The ornamental design for a foldable motorized vehicle, as shown and described.

DESCRIPTION

FIG. 1 is a top front and left side perspective view of foldable motorized vehicle showing my new design; FIG. 2 is a top rear and right side perspective view of foldable motorized vehicle showing my new design; FIG. 3 is a front elevational view thereof; FIG. 4 is a rear elevational view thereof; FIG. 5 is a left side elevational view thereof; FIG. 6 is a right side elevational view thereof; and, FIG. 7 is a top plan view thereof. Those portions of the illustrated design illustrated by broken lines form no part of the claimed design.

1 Claim, 7 Drawing Sheets



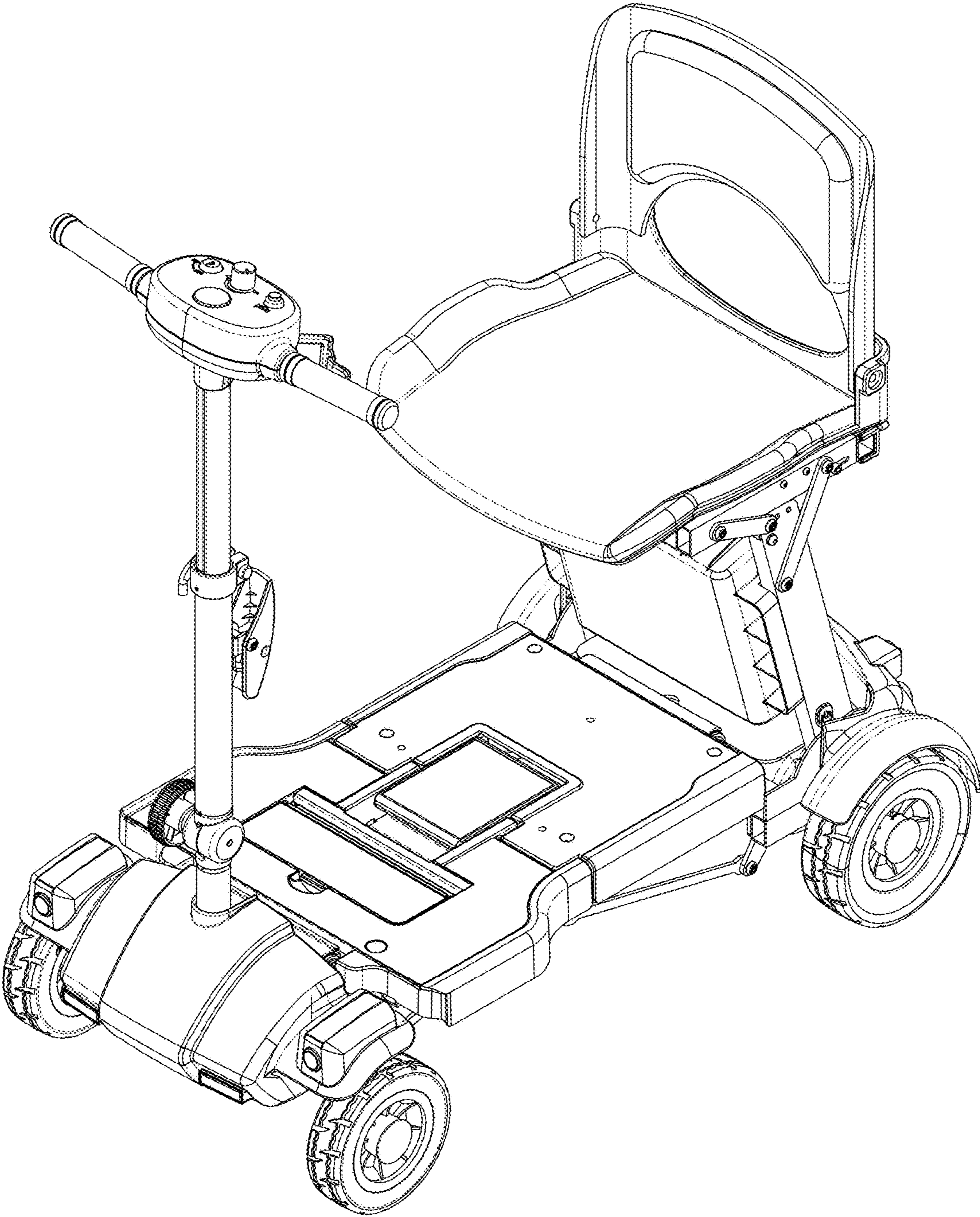


Fig. 1

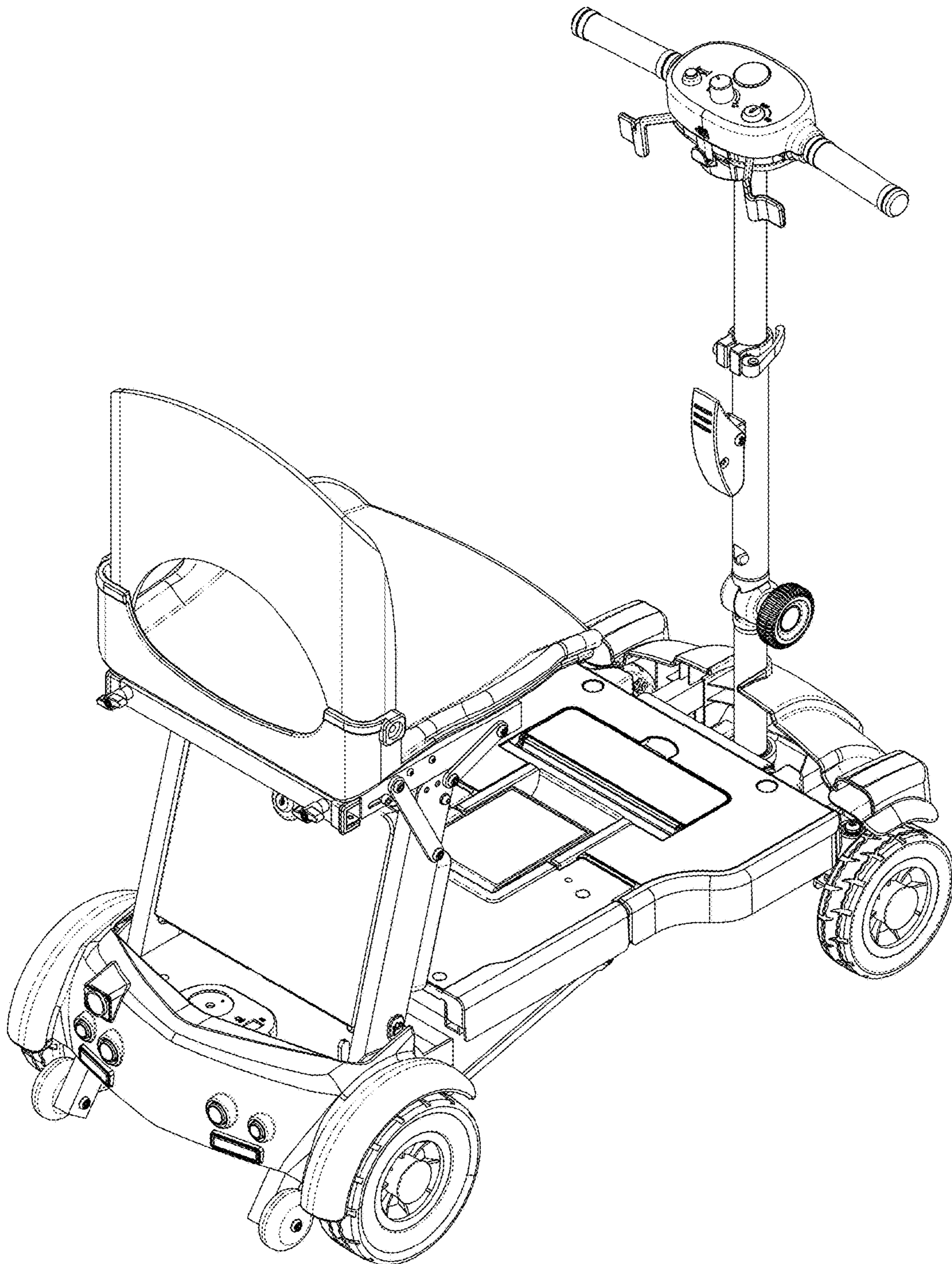


Fig.2

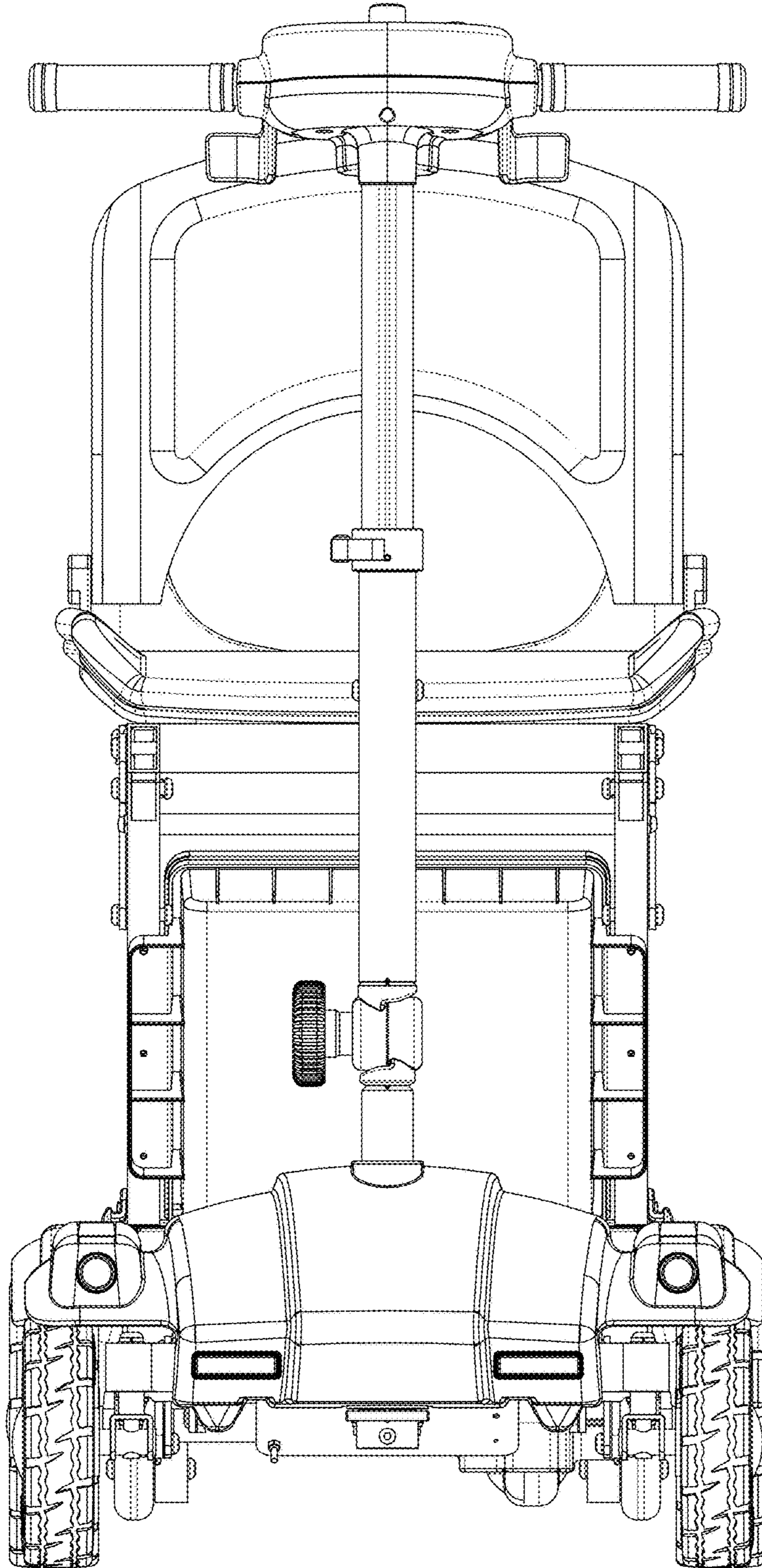


Fig.3

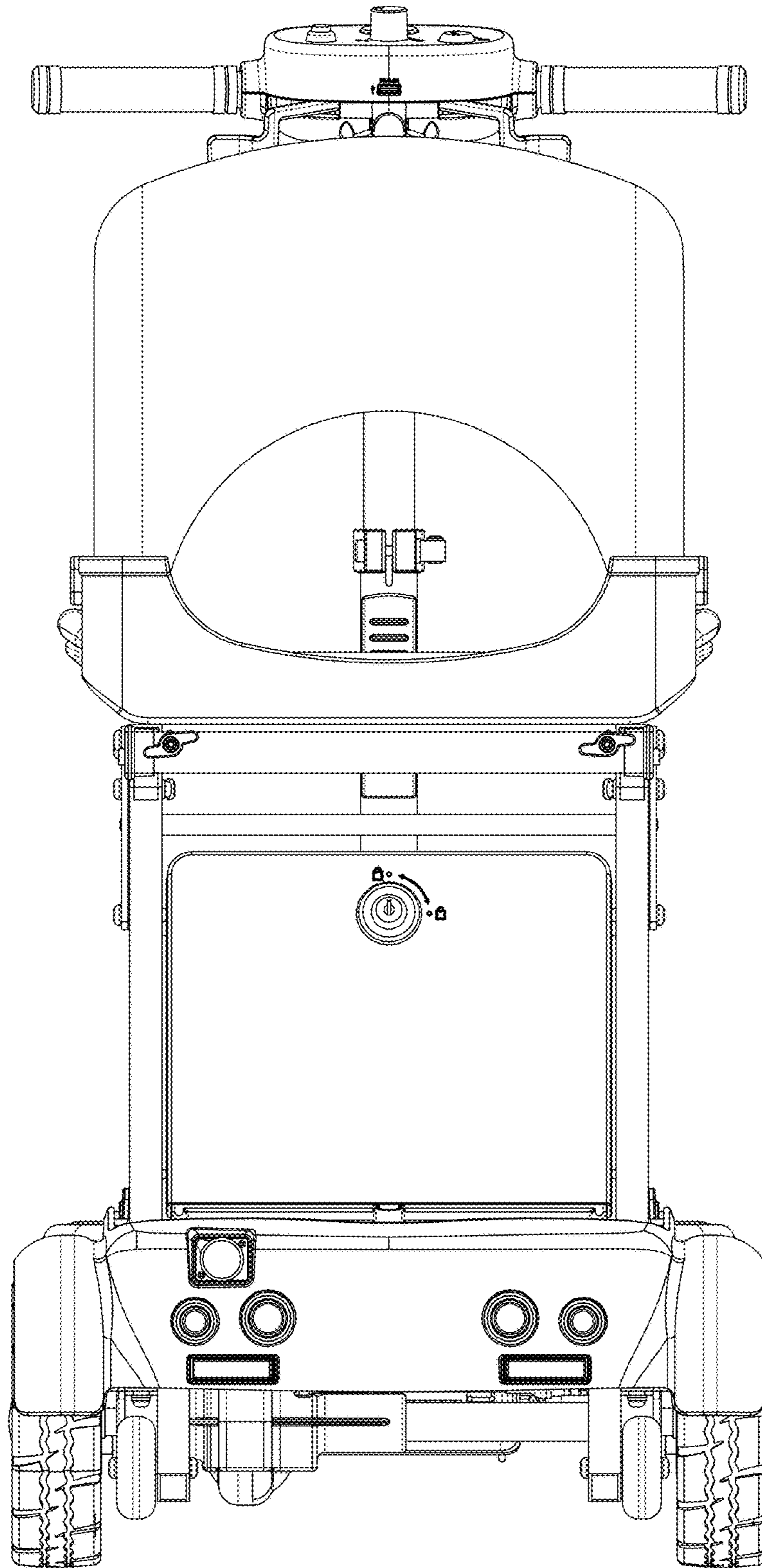


Fig.4

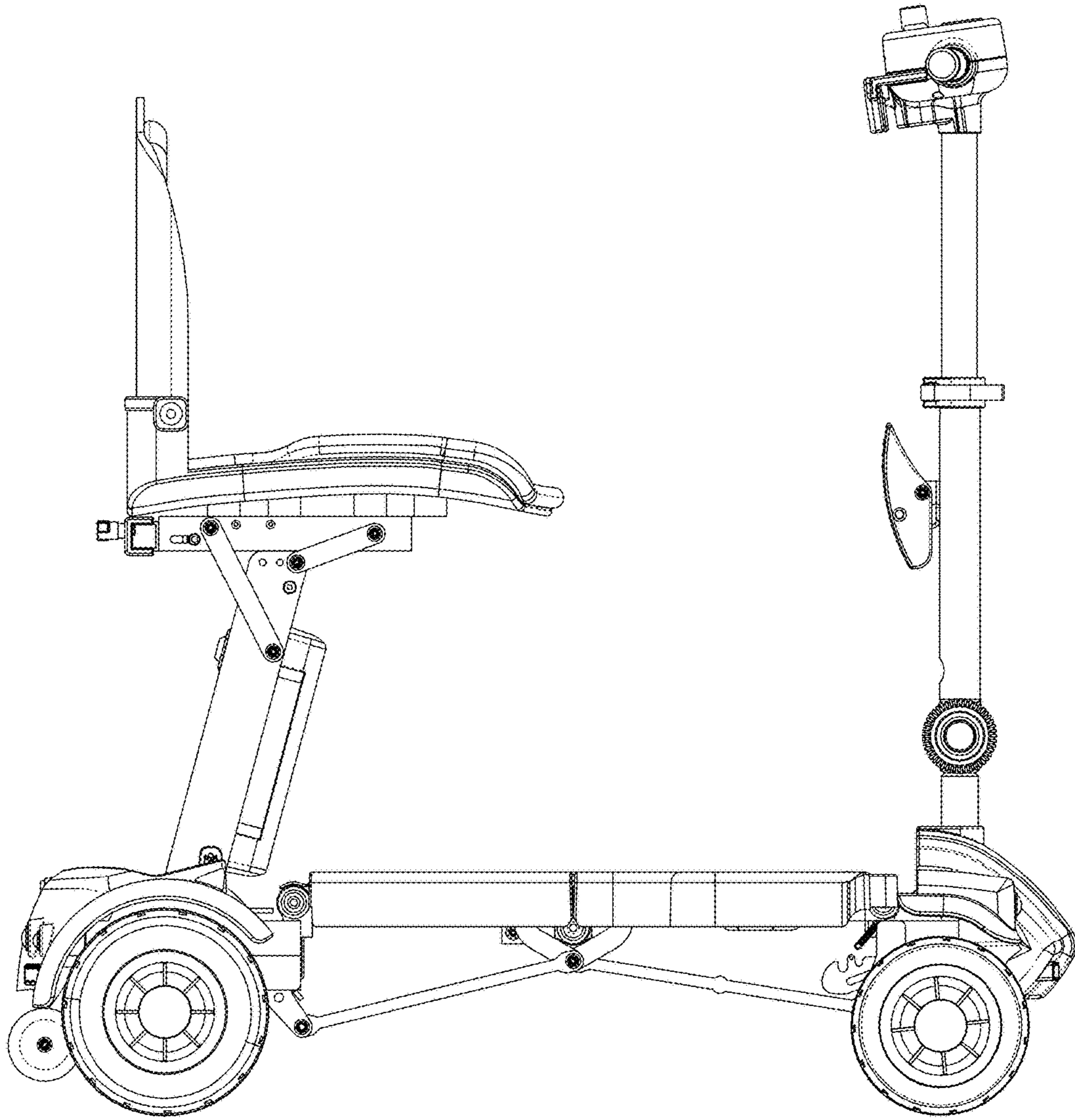


Fig.5

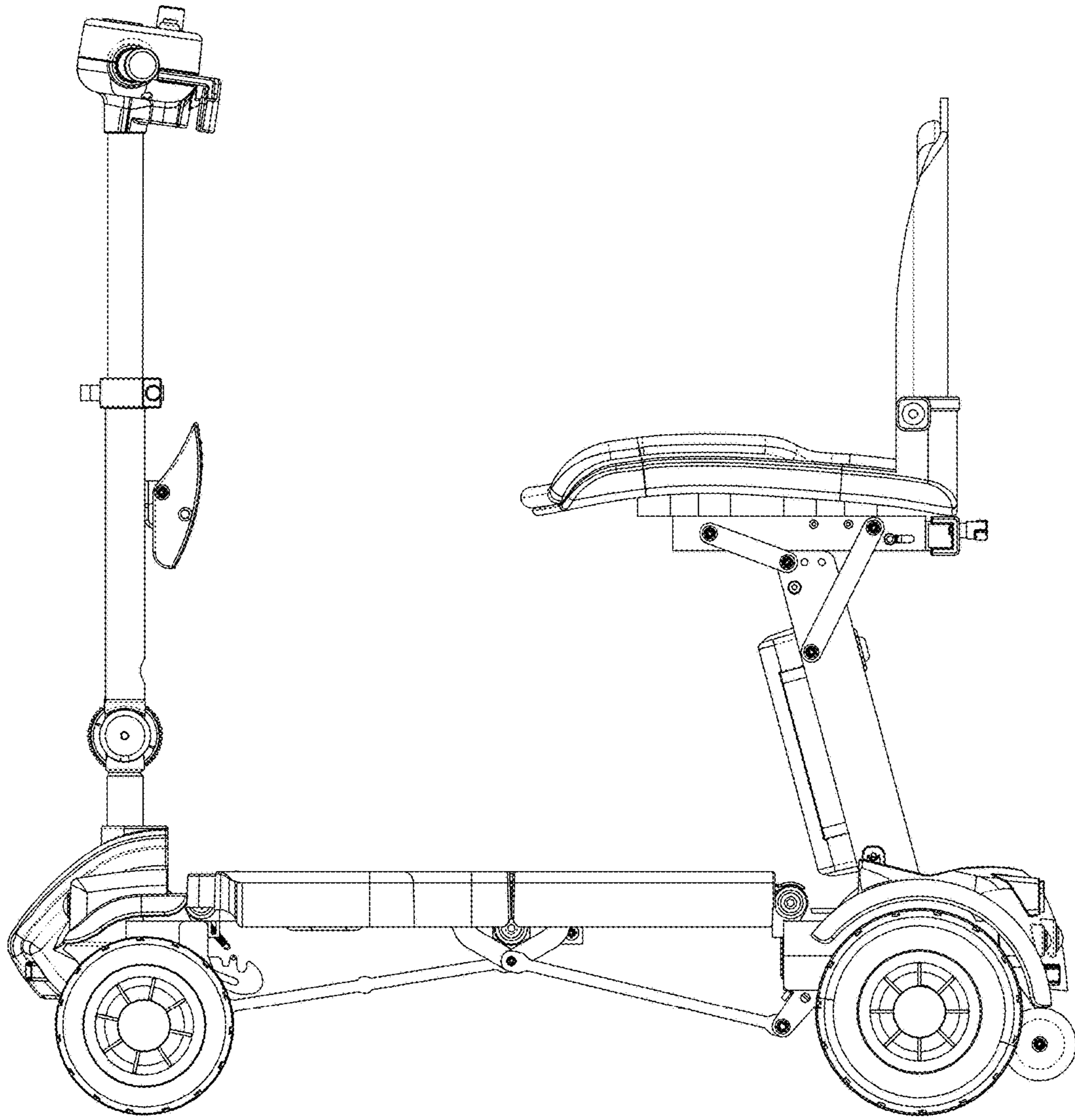


Fig.6

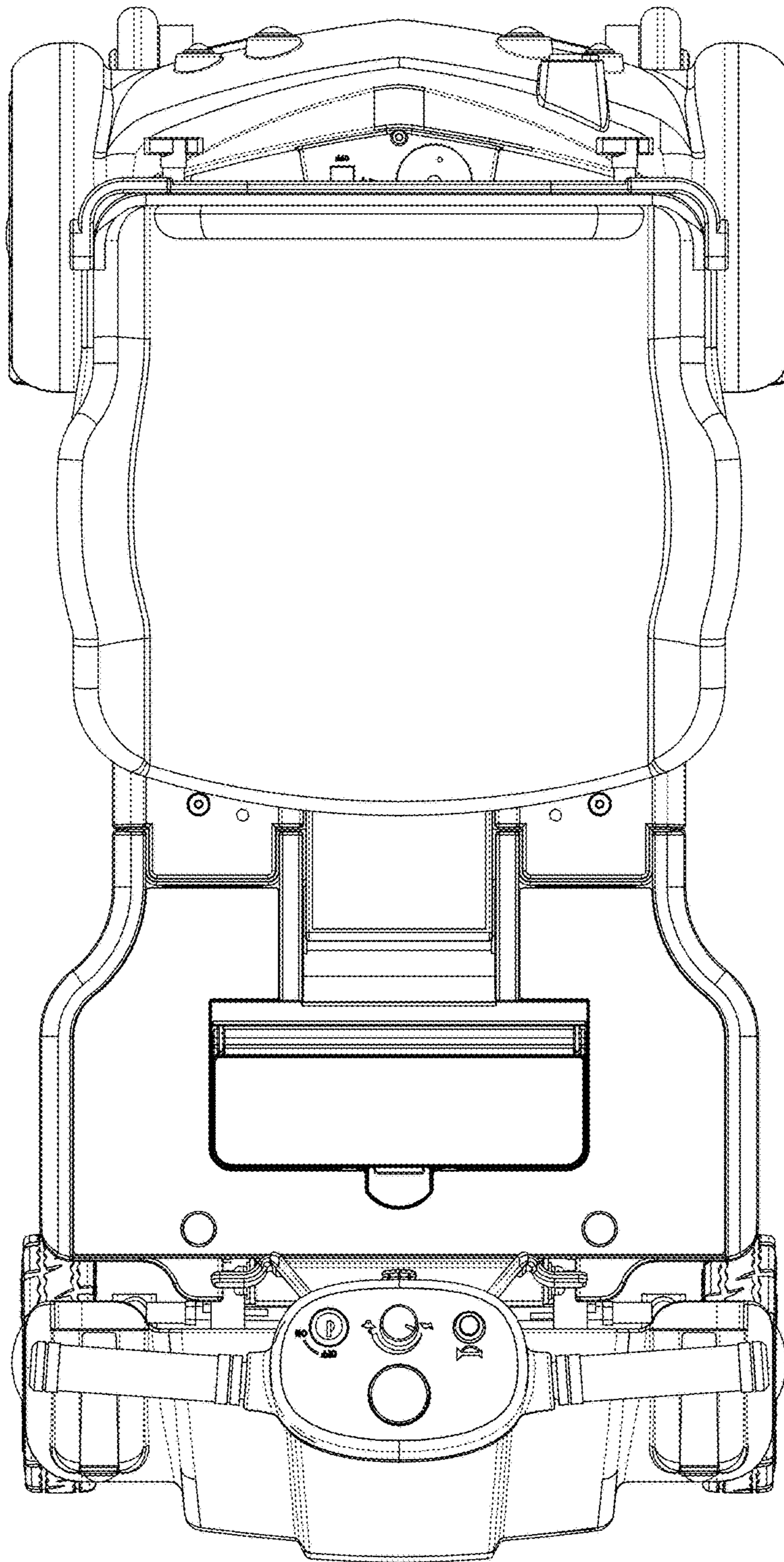


Fig.7