



US00D809971S

(12) **United States Design Patent**
Lee et al.

(10) **Patent No.:** **US D809,971 S**
(45) **Date of Patent:** **** Feb. 13, 2018**

(54) **VEHICLE BODY**

(71) Applicant: **Tesla Motors, Inc.**, Palo Alto, CA (US)

(72) Inventors: **Bernard Lee**, Aliso Viejo, CA (US);
Franz Von Holzhausen, Malibu, CA (US); **David T Imai**, Los Angeles, CA (US)

(73) Assignee: **TESLA, INC.**, Palo Alto, CA (US)

(**) Term: **15 Years**

(21) Appl. No.: **29/559,684**

(22) Filed: **Mar. 30, 2016**

(51) **LOC (11) Cl.** **12-08**

(52) **U.S. Cl.**
USPC **D12/92**

(58) **Field of Classification Search**
USPC D12/86, 90-92, 88; D21/421, 433, 434;
296/181.1, 181.5
CPC B62D 35/00; B62D 25/00; B62D 25/06;
B62D 33/00
See application file for complete search history.

(56) **References Cited**

U.S. PATENT DOCUMENTS

D790,403 S * 6/2017 Lichte D12/92
D797,604 S * 9/2017 Isomura D12/92

OTHER PUBLICATIONS

Car and Driver Magazine, Jan. 2016, p. P#0072-P#0073, "Car and Driver's 10 Best Cars for 2016", Tesla Model S 70/70D.*
Car and Driver Magazine, Feb. 2016, p. 82, Tesla Model S P90D.*

* cited by examiner

Primary Examiner — Melody N Brown

(74) *Attorney, Agent, or Firm* — Garlick & Markison;
Bruce E. Garlick

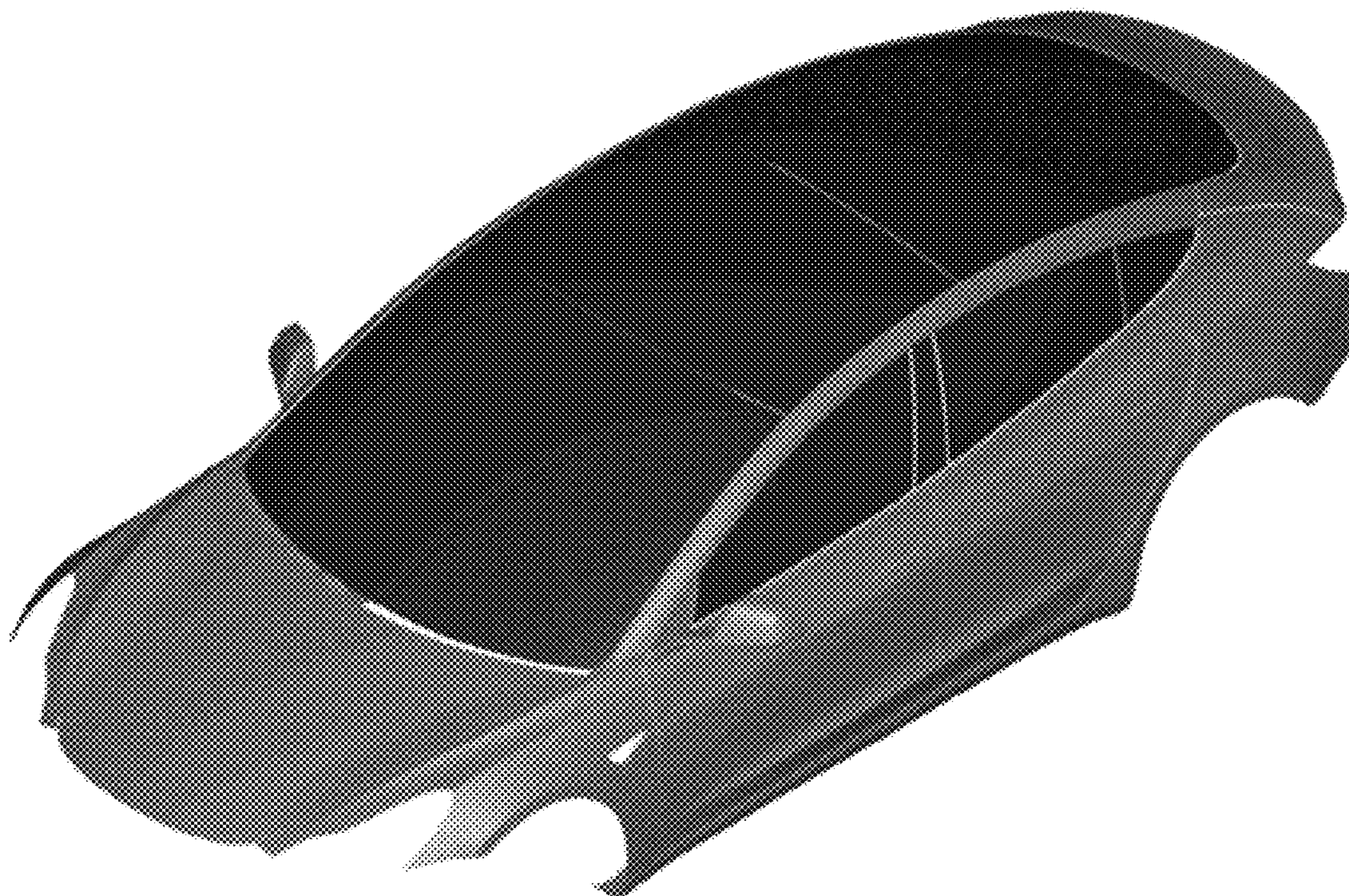
(57) **CLAIM**

The ornamental design for a vehicle body, substantially as shown and described.

DESCRIPTION

FIG. 1 is a side elevational view of a vehicle body of car showing our new design;
FIG. 2 is a front perspective view thereof;
FIG. 3 is a rear perspective view thereof; and,
FIG. 4 is a top plan view thereof.

1 Claim, 4 Drawing Sheets



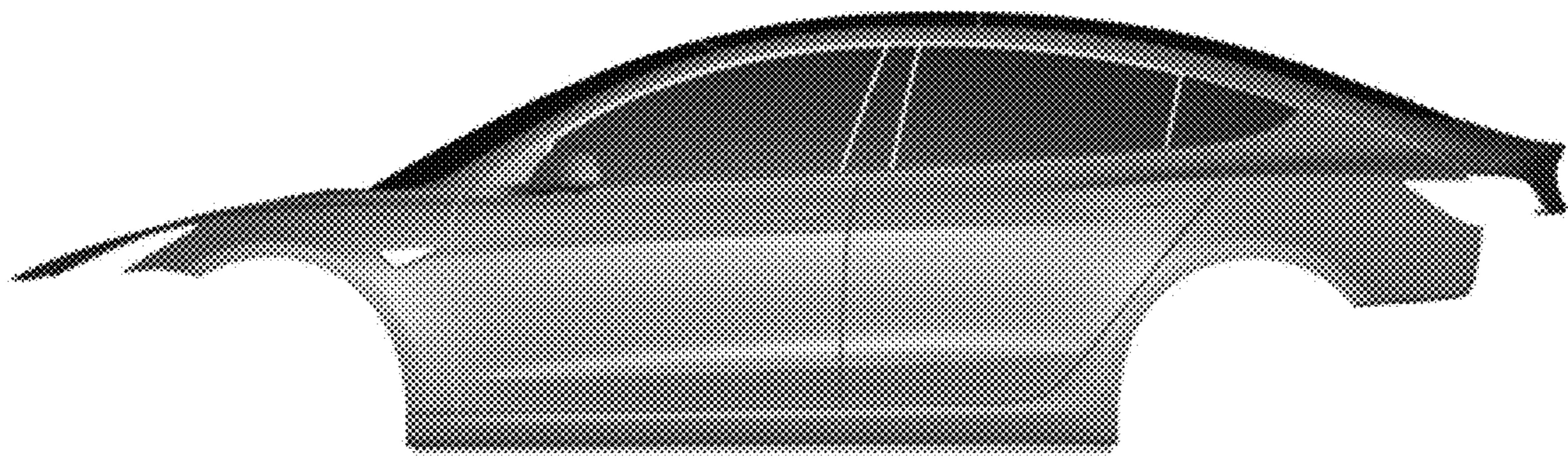


FIG. 1

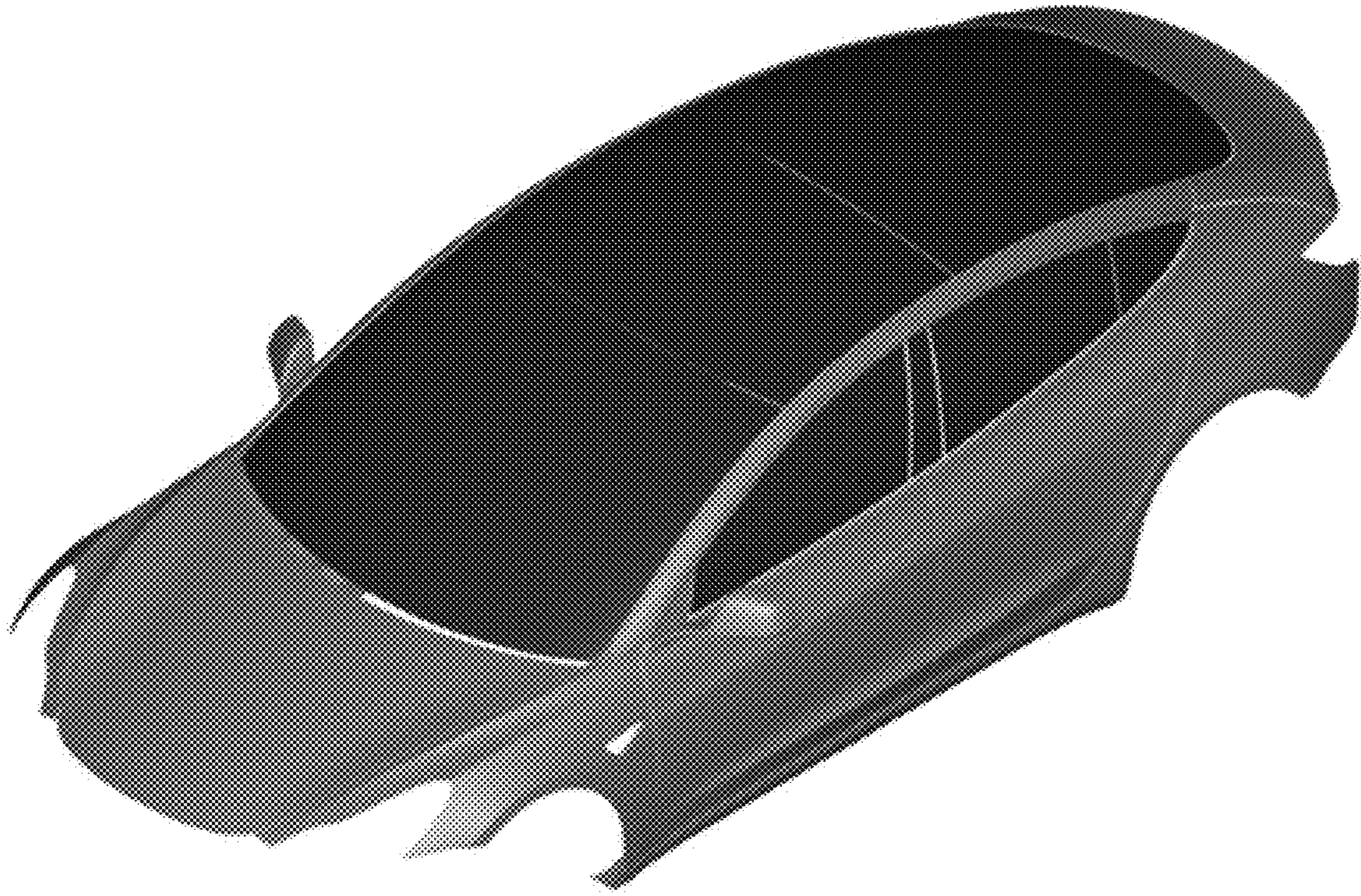


FIG. 2

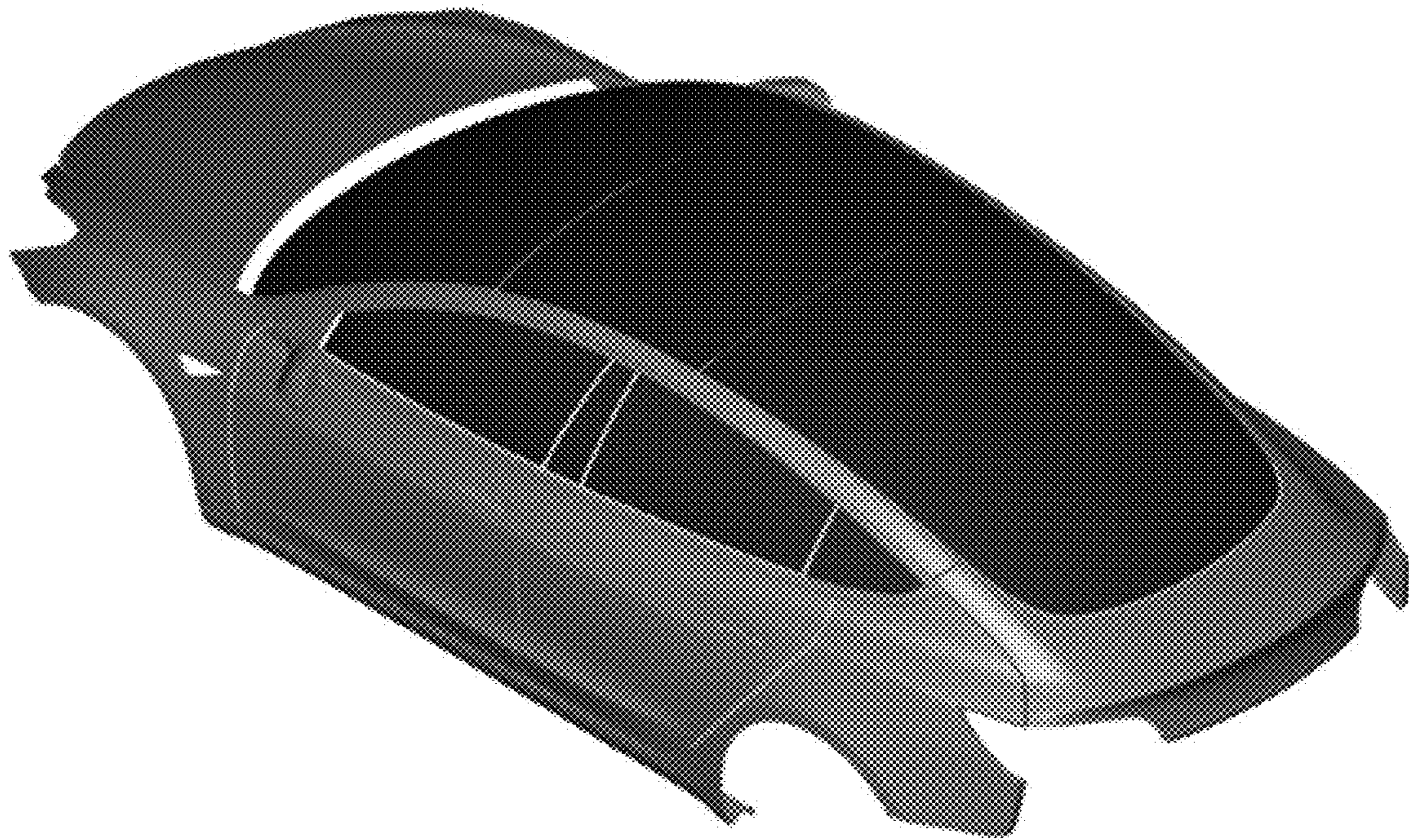


FIG. 3

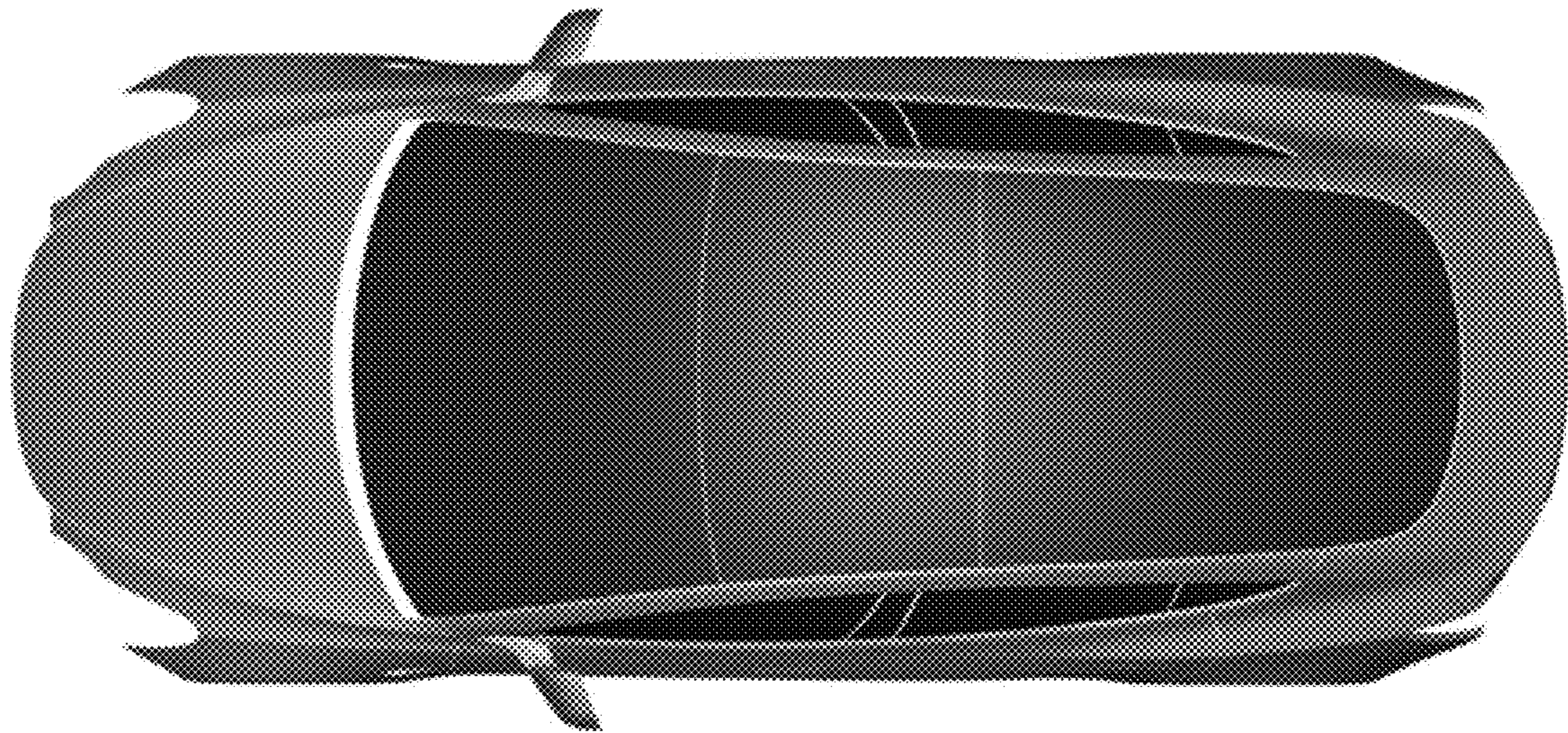


FIG. 4