



US00D809970S

(12) **United States Design Patent**
Zhou

(10) **Patent No.:** **US D809,970 S**
(45) **Date of Patent:** **** Feb. 13, 2018**

(54) **AMPHIBIOUS UNMANNED VERTICAL TAKEOFF AND LANDING AIRCRAFT**

(71) Applicant: **Dylan T X Zhou**, Tiburon, CA (US)

(72) Inventor: **Dylan T X Zhou**, Tiburon, CA (US)

(**) Term: **15 Years**

(21) Appl. No.: **29/576,168**

(22) Filed: **Aug. 31, 2016**

Related U.S. Application Data

(63) Continuation-in-part of application No. 29/572,722, filed on Jul. 29, 2016, and a continuation of (Continued)

(51) **LOC (11) Cl.** **12-07**

(52) **U.S. Cl.**
USPC **D12/16.1**; D12/324; D12/326

(58) **Field of Classification Search**
USPC D12/16.1, 319, 323-345, 82, 88, 90, 91, D12/3, 4, 2; D21/436, 438, 439, 440, (Continued)

(56) **References Cited**

U.S. PATENT DOCUMENTS

D88,107 S * 10/1932 Fike 296/181.5
D95,247 S * 4/1935 Grummer D12/91
(Continued)

Primary Examiner — Robert M. Spear
Assistant Examiner — Marissa J Cash
(74) *Attorney, Agent, or Firm* — Steven A. Nielsen;
www.NielsenPatents.com

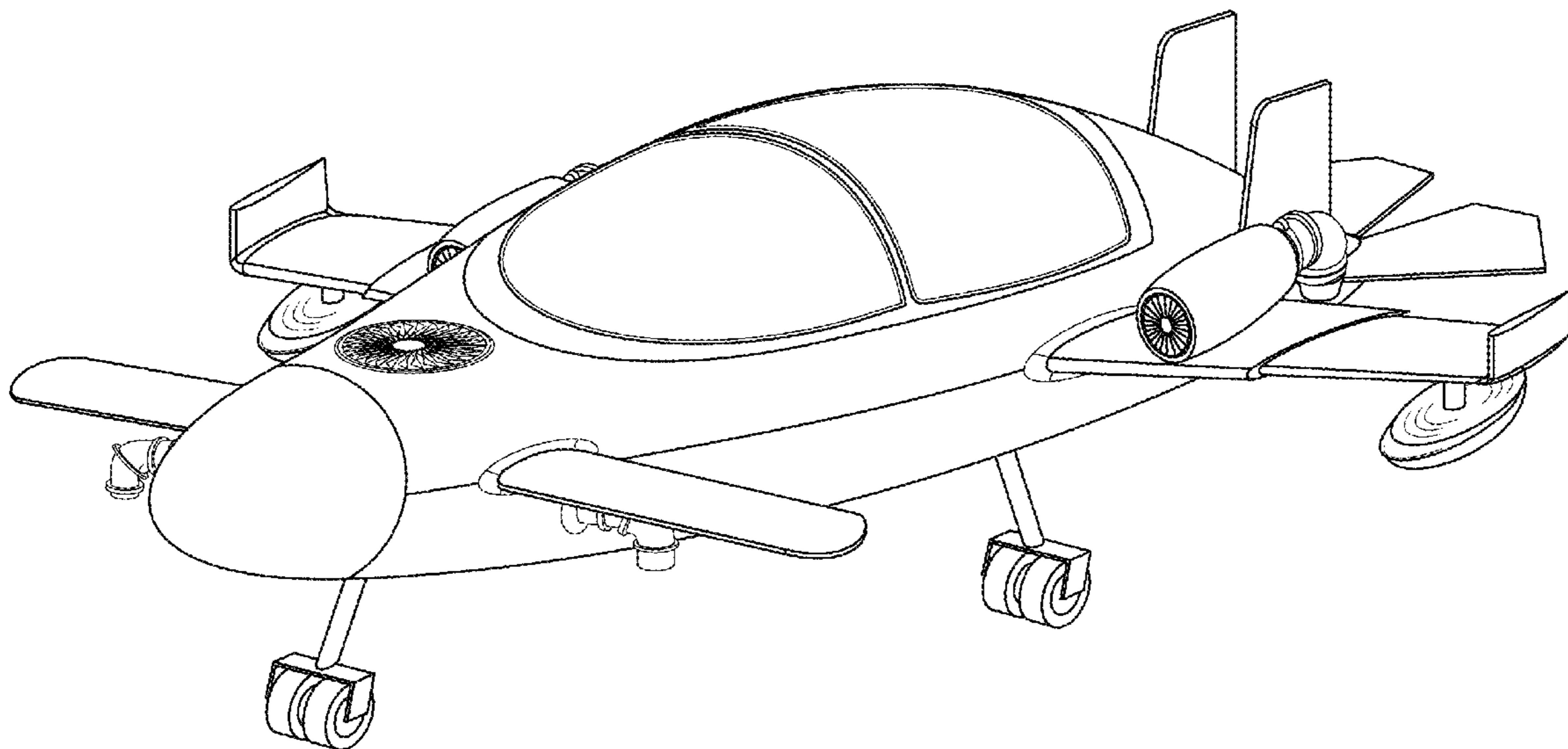
(57) **CLAIM**

I claim the ornamental design for an amphibious unmanned vertical takeoff and landing aircraft, as shown and described.

DESCRIPTION

FIG. 1 is a top perspective view of an amphibious unmanned vertical takeoff and landing aircraft;
FIG. 2 is a top perspective view thereof, shown in an alternate configuration of use, with wings extended;
FIG. 3 is a left side view thereof, with wings extended;
FIG. 4 is a right side view thereof, shown in an alternate configuration of use;
FIG. 5 is a front view thereof;
FIG. 6 is a back view thereof;
FIG. 7 is a top view thereof;
FIG. 8 is a bottom view thereof;
FIG. 9 is a bottom view thereof, shown in an alternate configuration of use with boat hull deployed;
FIG. 10 is a top perspective view of an amphibious unmanned vertical takeoff and landing aircraft shown in FIG. 2, shown in an alternate configuration of use with parachutes deployed;
FIG. 11 is a top perspective view of an amphibious unmanned vertical takeoff and landing aircraft in FIG. 1, with landing gear retracted and engine nozzles shown in an alternate configuration of use;
FIG. 12 is a top perspective view thereof, with engine nozzles shown in an alternate configuration of use;
FIG. 13 is a top perspective view thereof, with engine nozzles shown in an alternate configuration of use;
FIG. 14 is top perspective view of an amphibious unmanned vertical takeoff and landing aircraft in FIG. 11, shown with landing gear deployed and pilot cabin in open position of use; and,
FIG. 15 is a back view thereof with floating devices deployed shown in an alternate environment of use.
The broken lines in the drawings represent unclaimed environmental subject matter and form no part of the claim.

1 Claim, 15 Drawing Sheets



Related U.S. Application Data

application No. 29/567,712, filed on Jun. 10, 2016, and a continuation-in-part of application No. 14/940,379, filed on Nov. 13, 2015, now Pat. No. 9,493,235, which is a continuation-in-part of application No. 14/034,509, filed on Sep. 23, 2013, now Pat. No. 9,510,277.

(58) **Field of Classification Search**

USPC D21/441, 447, 448, 449, 450, 452, 453, D21/454, 455, 424, 533, 833
 CPC B64C 1/062; B64C 39/024; B64C 27/08
 See application file for complete search history.

(56) **References Cited**

U.S. PATENT DOCUMENTS

D99,156 S * 3/1936 Covey D12/91
 D100,186 S * 6/1936 Fitzmaurice D12/91
 2,156,288 A * 5/1939 Holliday B64C 37/00
 180/7.4
 D139,636 S * 12/1944 Walker 296/181.5
 2,562,491 A * 7/1951 Hall B64C 37/00
 244/2
 2,562,492 A * 7/1951 Hall B64C 37/00
 200/43.08
 2,619,184 A * 11/1952 Hall B64C 37/00
 180/54.1
 5,915,649 A * 6/1999 Head B64C 37/00
 244/17.17
 D424,981 S * 5/2000 Cook D12/91
 6,086,014 A * 7/2000 Bragg, Jr. B60F 5/02
 244/2
 D545,925 S * 7/2007 Milner D21/533

D547,238 S * 7/2007 Milner D12/88
 D610,950 S * 3/2010 Helfet D12/91
 7,938,358 B2 * 5/2011 Dietrich B64C 37/00
 244/2
 8,152,096 B2 * 4/2012 Smith B64C 29/0033
 244/12.4
 D684,503 S * 6/2013 Cook D12/92
 8,720,814 B2 * 5/2014 Smith B64C 29/0033
 244/12.4
 8,973,861 B2 * 3/2015 Zhou A63H 27/12
 244/17.23
 D736,140 S * 8/2015 Moller D12/326
 9,099,902 B2 * 8/2015 Chen H02K 5/225
 9,139,299 B2 * 9/2015 Lundgren B64C 37/00
 2003/0094536 A1 * 5/2003 LaBiche B60F 5/02
 244/2
 2004/0245374 A1 * 12/2004 Morgan B64C 29/0025
 244/12.3
 2008/0142643 A1 * 6/2008 Yoeli B60V 1/06
 244/23 R
 2010/0294877 A1 * 11/2010 Jianu B64C 29/0025
 244/2
 2013/0112804 A1 * 5/2013 Zhu B64C 29/0025
 244/2
 2015/0028150 A1 * 1/2015 Klein B64C 3/385
 244/2
 2015/0102155 A1 * 4/2015 Krastev B60K 16/00
 244/2
 2015/0314867 A1 * 11/2015 Razroev B64C 29/0033
 244/119
 2016/0001879 A1 * 1/2016 Johannesson B64C 27/50
 416/142
 2016/0243910 A1 * 8/2016 Hu B60F 5/02
 2016/0272314 A1 * 9/2016 Radu B64C 37/00
 2017/0072755 A1 * 3/2017 Zhou B64C 29/0075

* cited by examiner

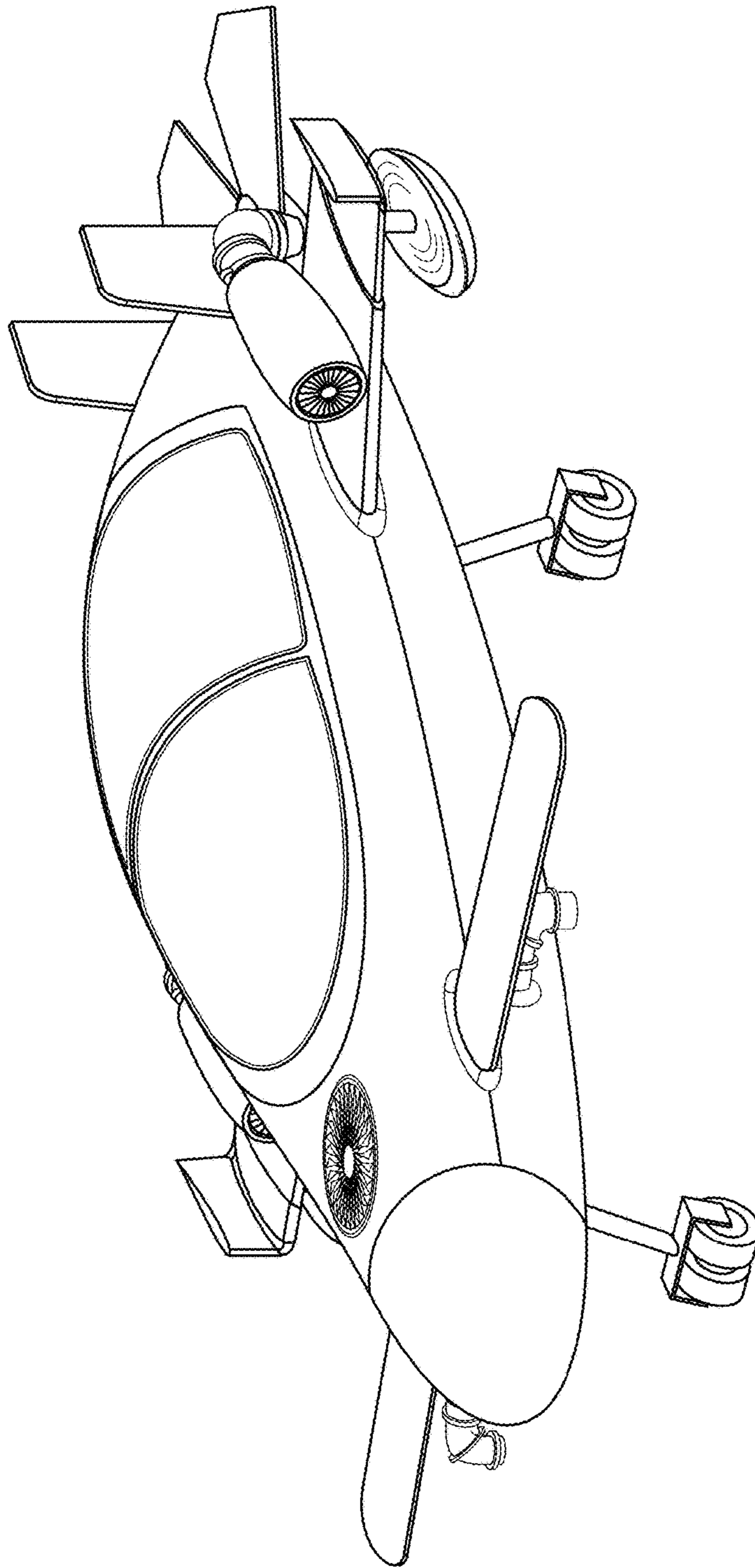


FIG. 1

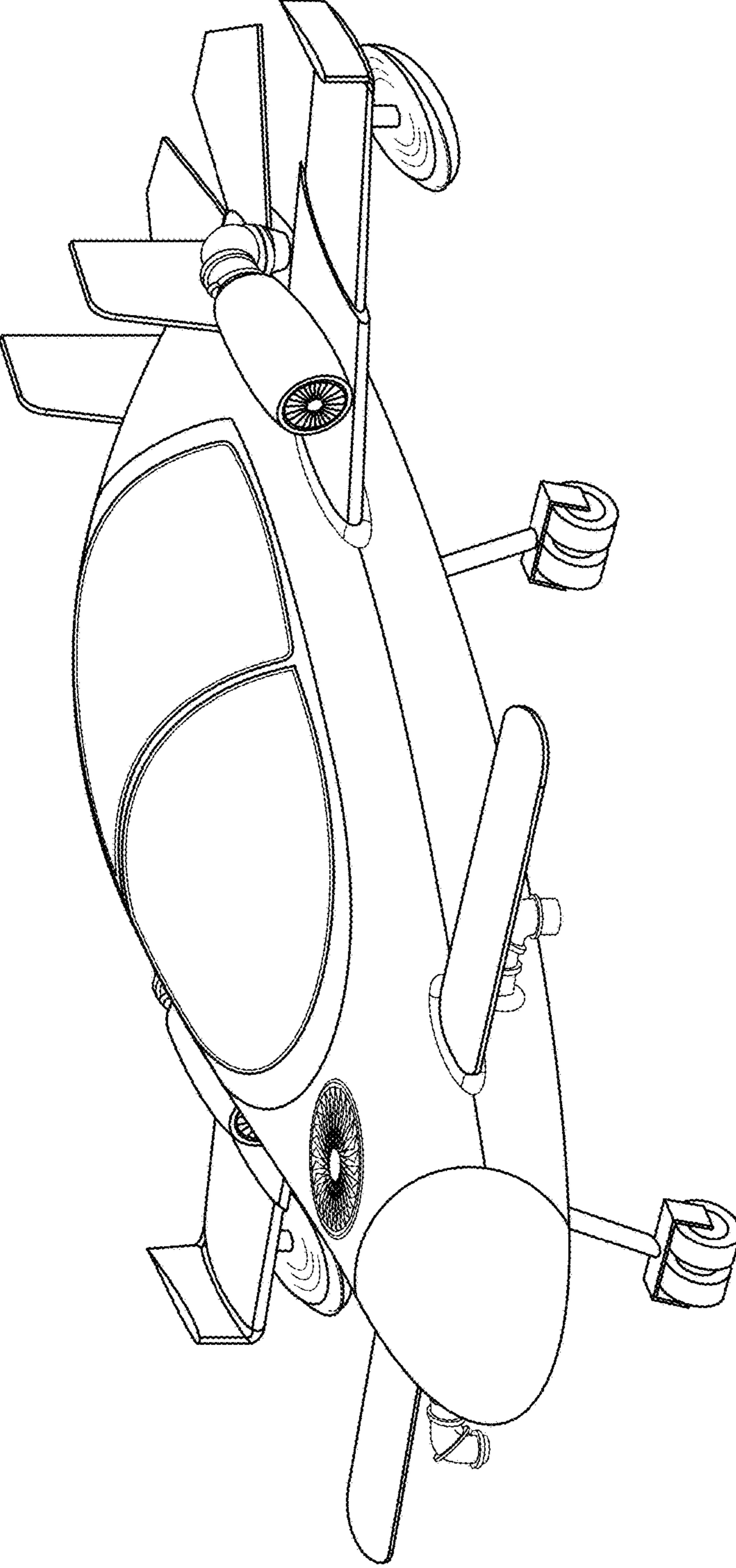


FIG. 2

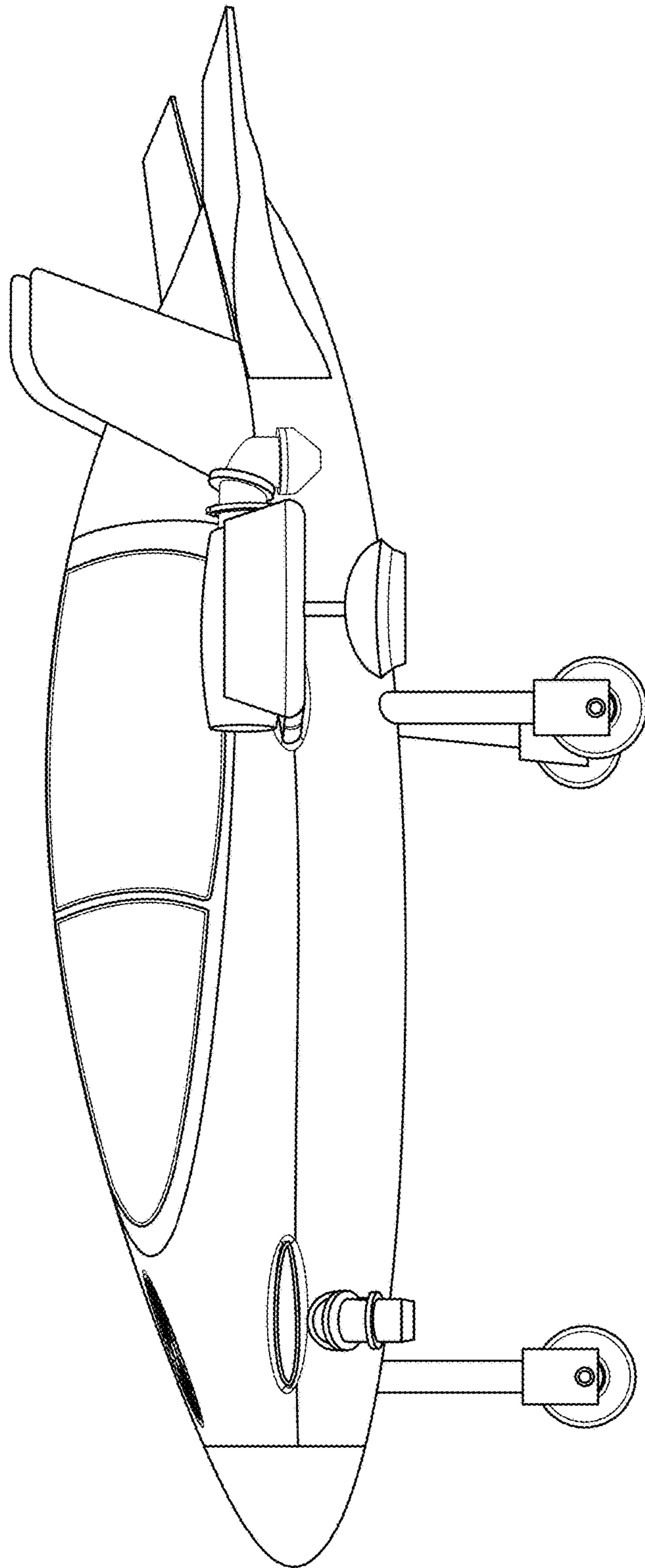


FIG. 3

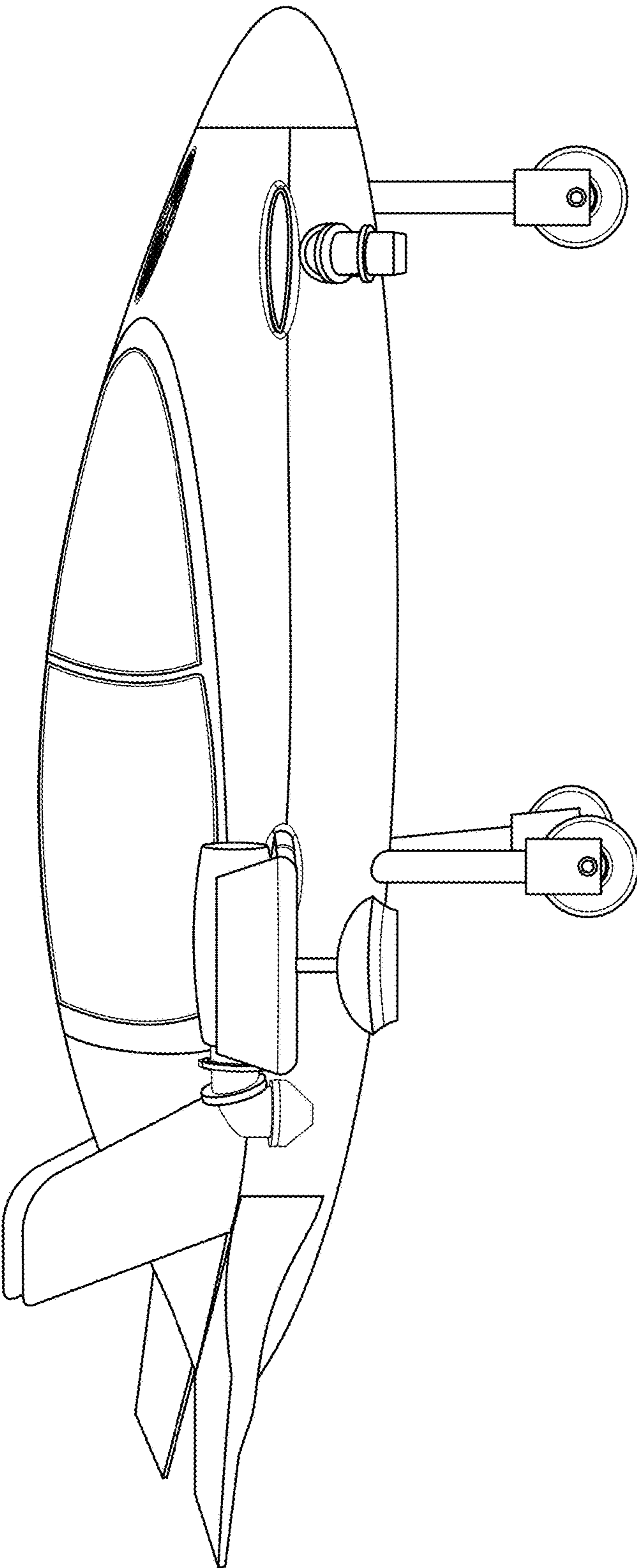


FIG. 4

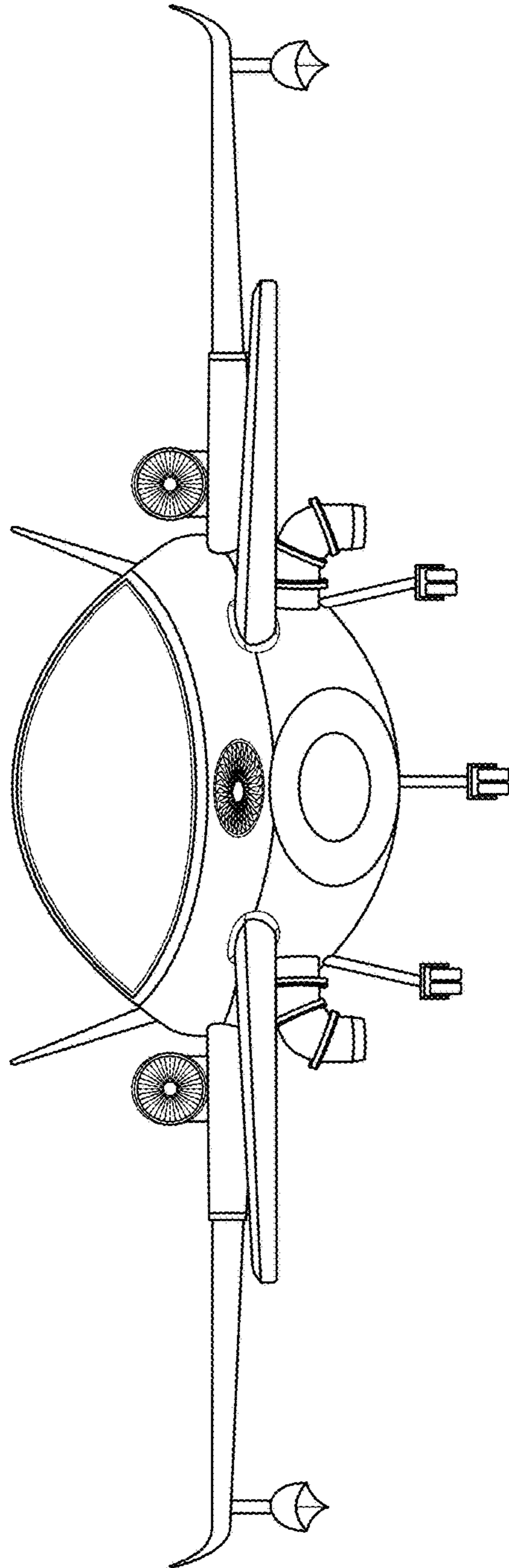


FIG. 5

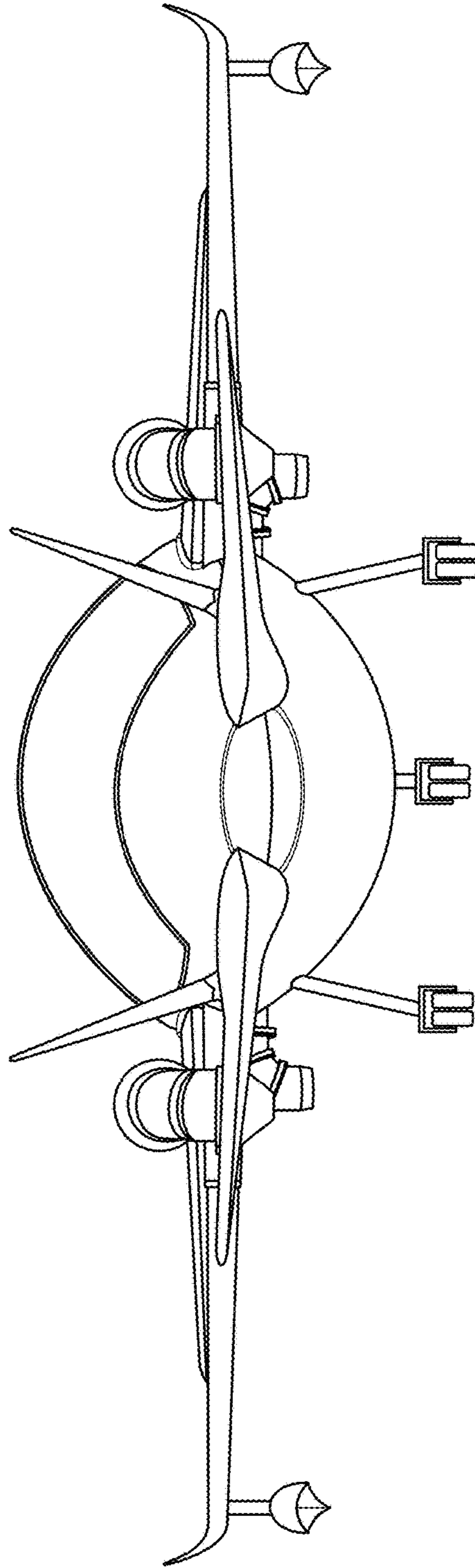


FIG. 6

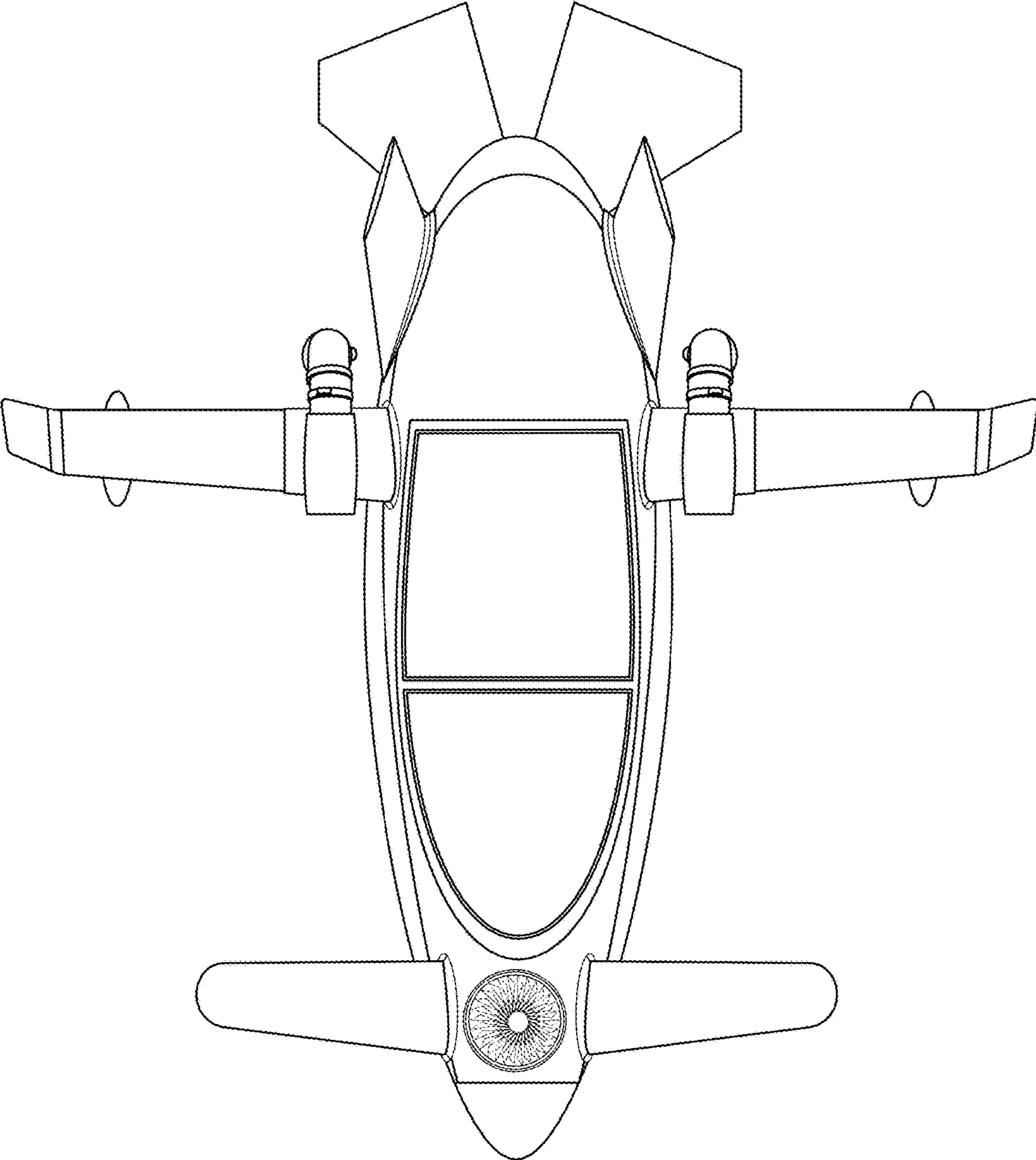


FIG. 7

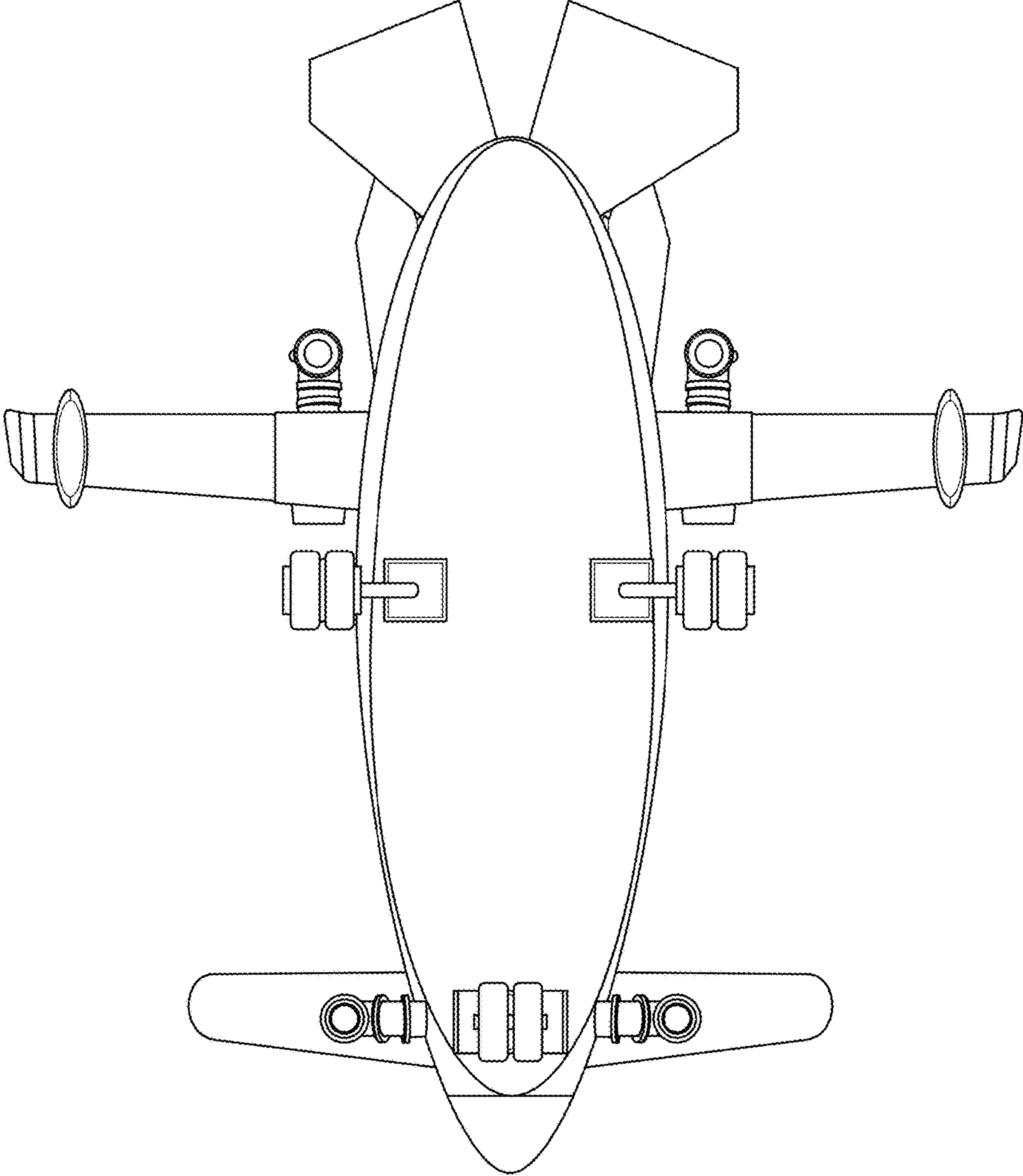


FIG. 8

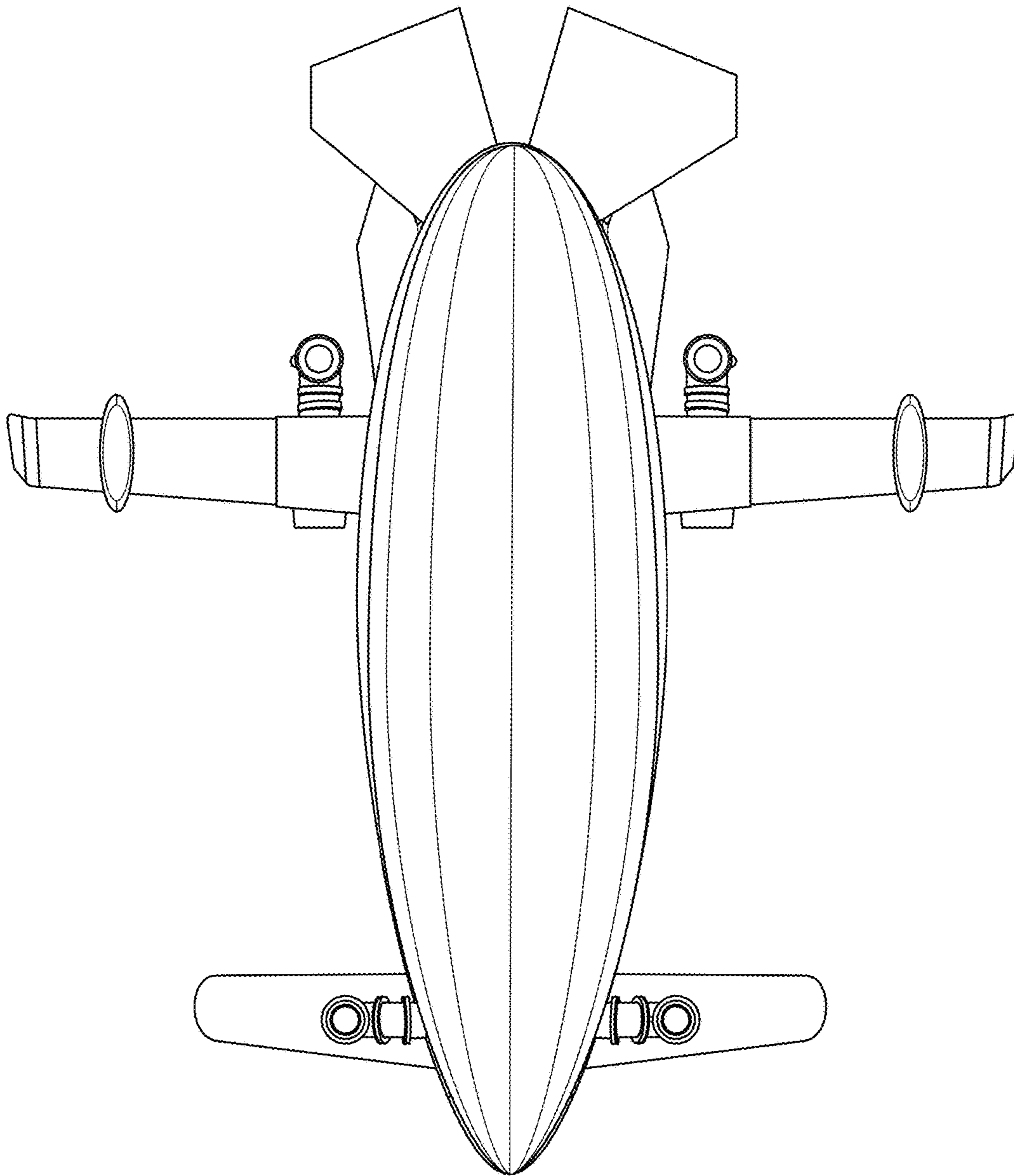


FIG. 9

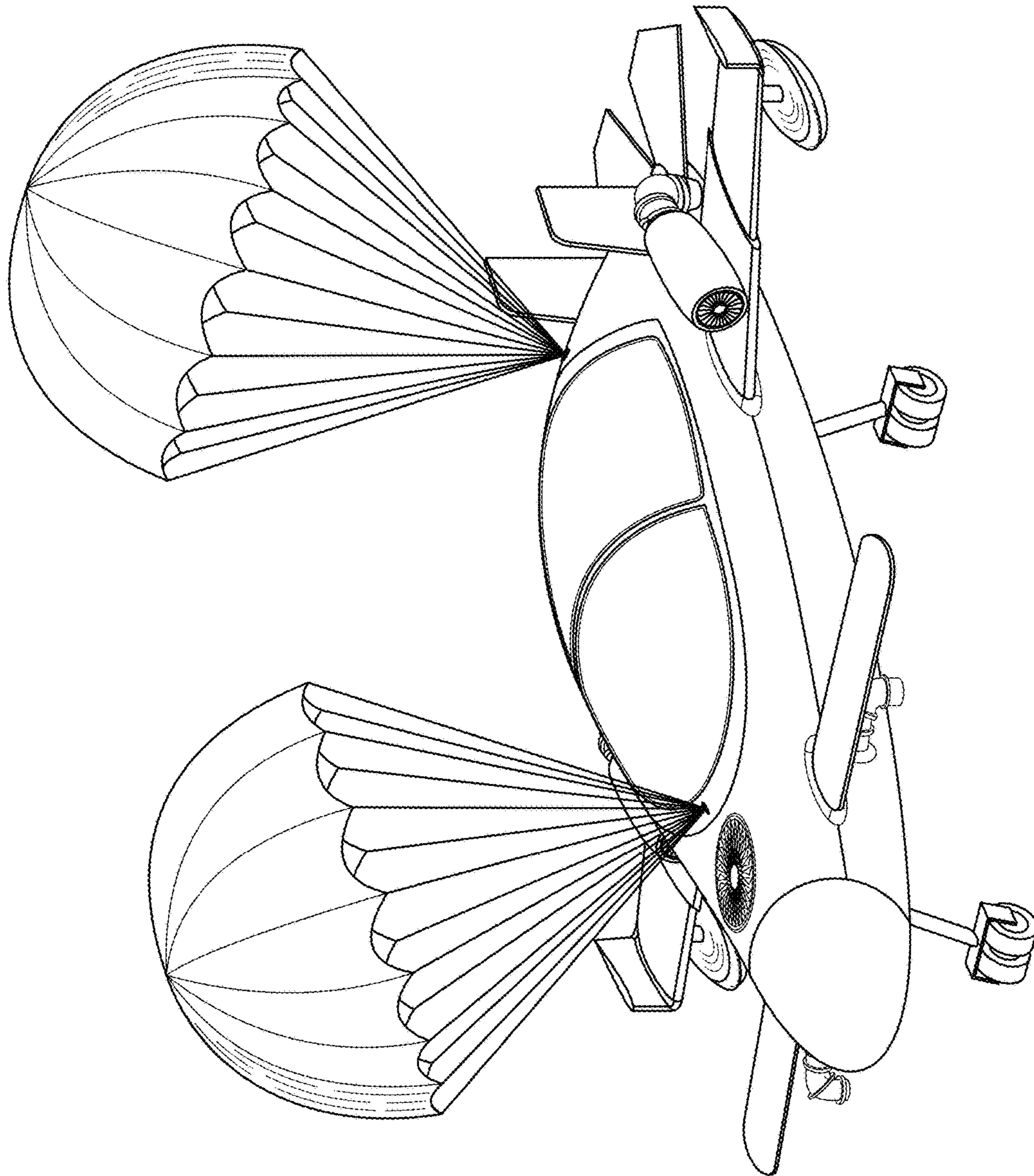


FIG. 10

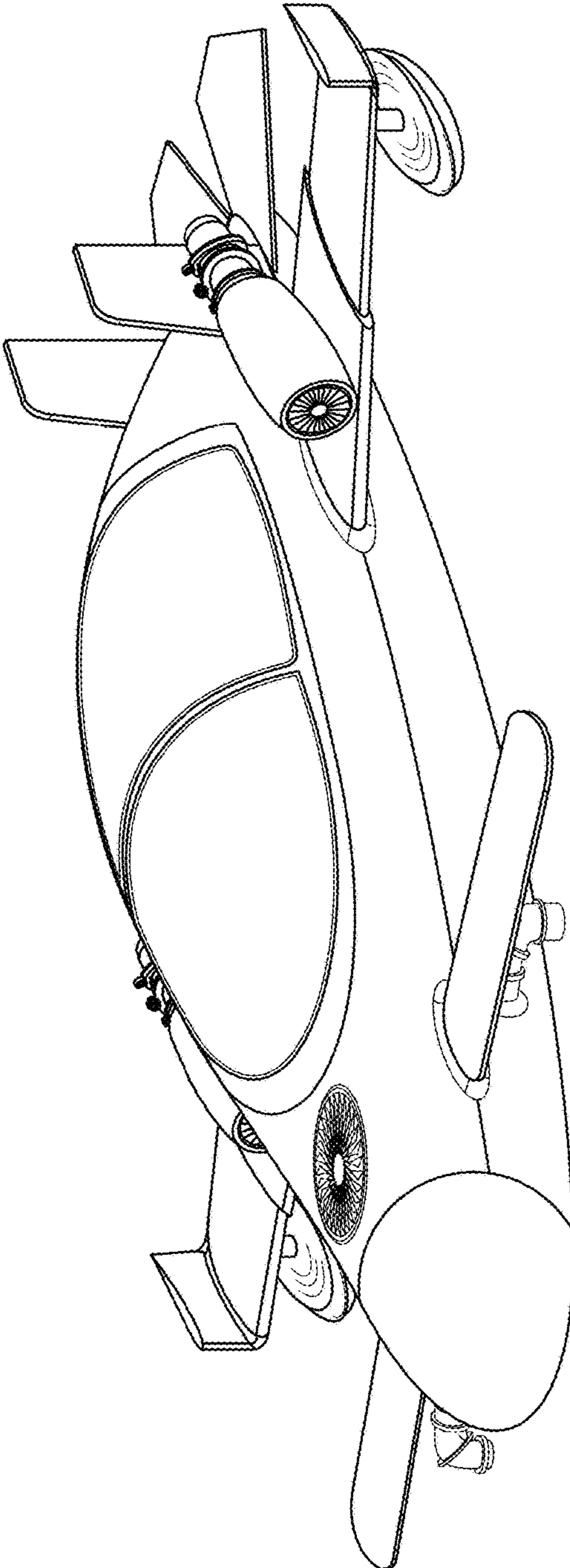


FIG. 11

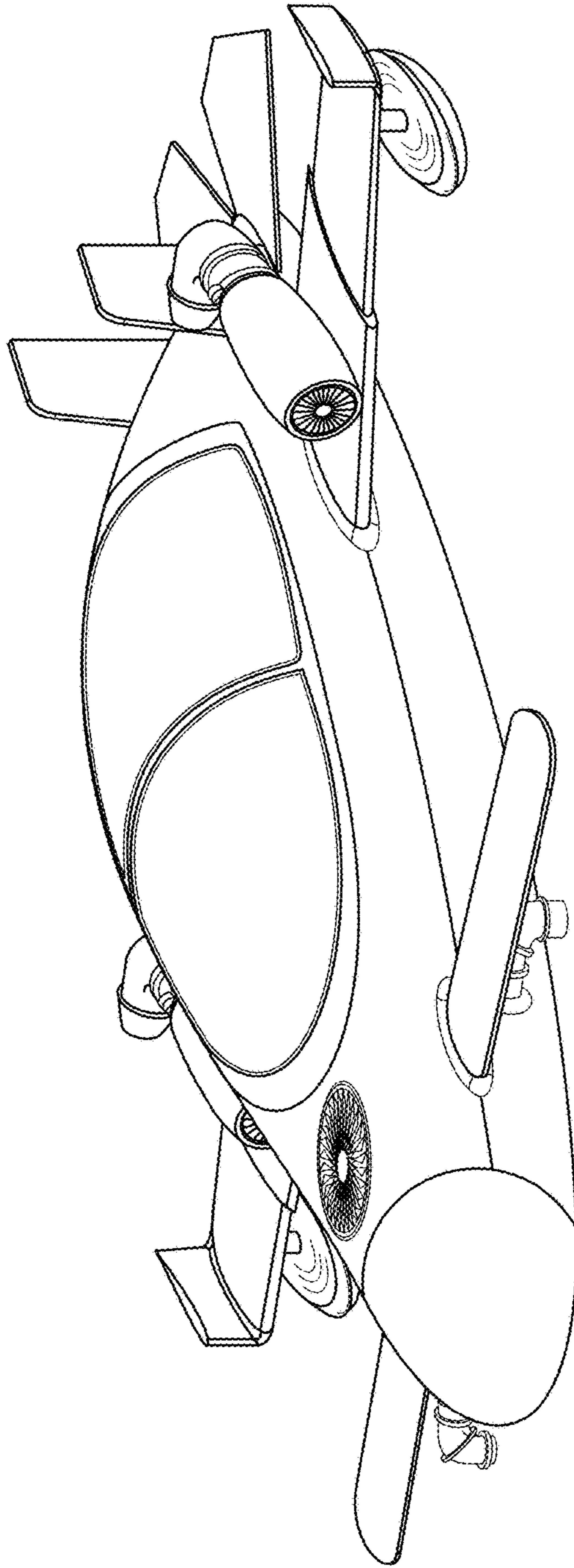


FIG. 12

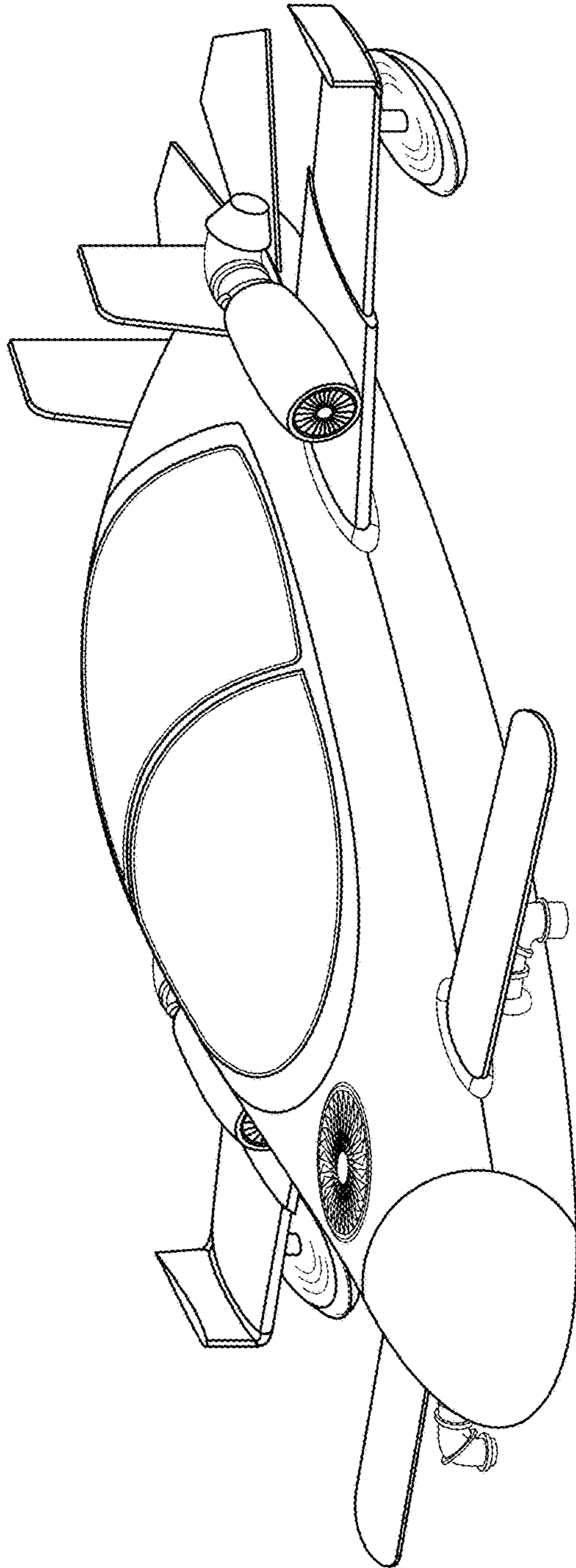


FIG. 13

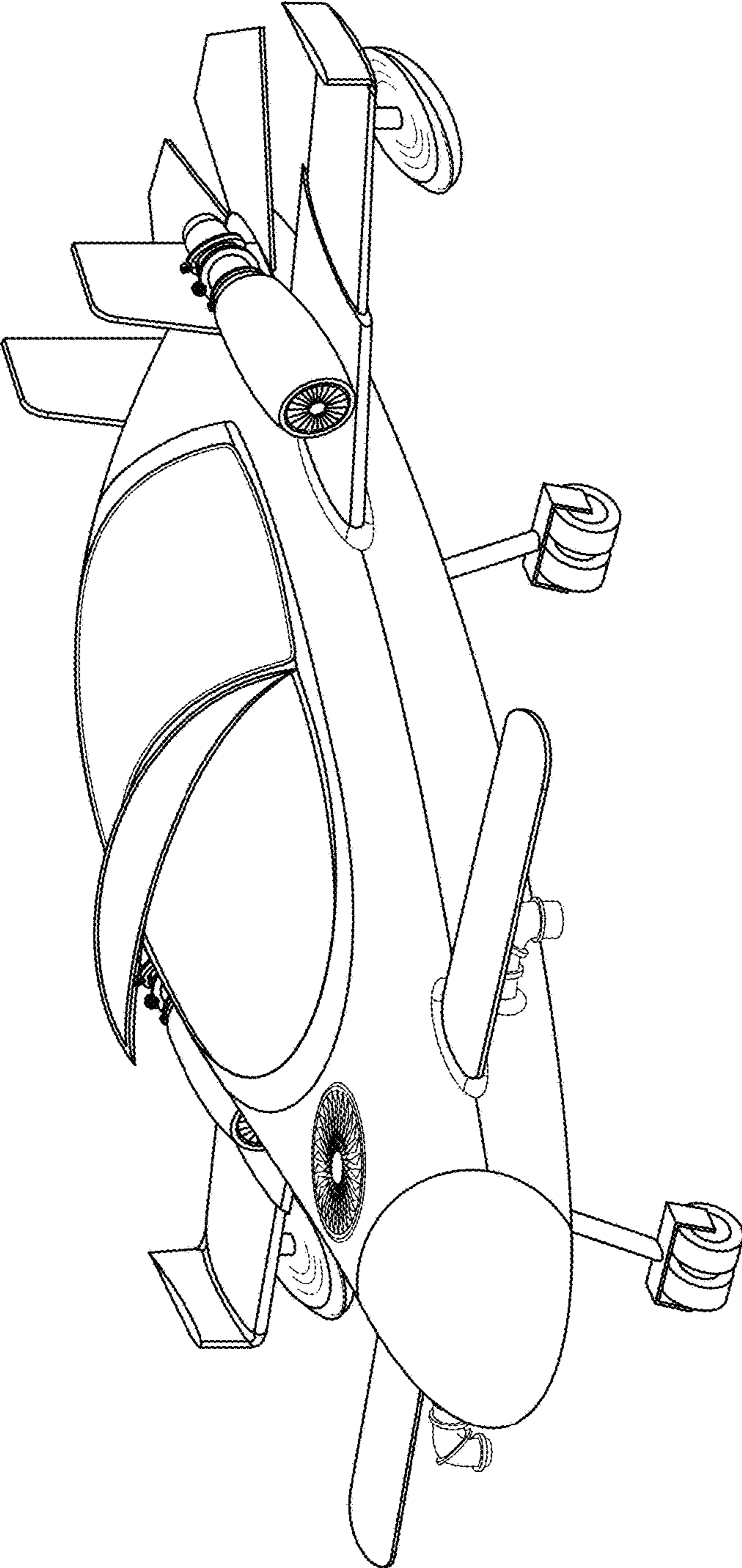


FIG. 14

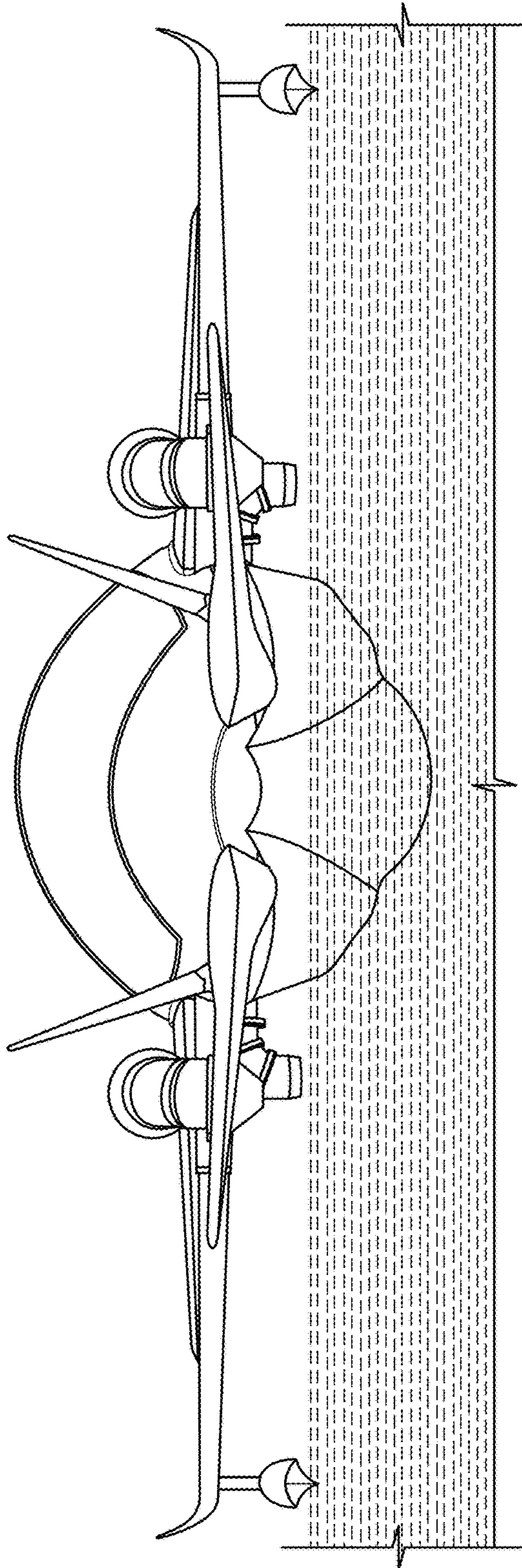


FIG. 15