



US00D809969S

(12) **United States Design Patent** (10) **Patent No.:** **US D809,969 S**  
**Zhang et al.** (45) **Date of Patent:** **\*\* \*Feb. 13, 2018**

(54) **DRONE**

(56) **References Cited**

(71) Applicant: **BEIJING ZERO ZERO INFINITY TECHNOLOGY CO., LTD**, Beijing (CN)

U.S. PATENT DOCUMENTS

(72) Inventors: **Guanqun Zhang**, Beijing (CN); **Tong Zhang**, Beijing (CN); **Mengqiu Wang**, Beijing (CN); **Zhaozhe Wang**, Beijing (CN); **Lixin Liu**, Beijing (CN)

D189,462 S *	12/1960	Vogt .....	D12/329
D193,369 S *	8/1962	Walker .....	D12/330
D196,213 S *	9/1963	Paxhla .....	D12/330
D373,771 S *	9/1996	Messelhi .....	D13/184
D397,200 S *	8/1998	Wang .....	D23/353
D408,907 S *	4/1999	Moreno .....	D23/381
D424,684 S *	5/2000	Swyst .....	D23/351
D425,194 S *	5/2000	Swyst .....	D23/351
D425,979 S *	5/2000	Lozzio .....	D23/370
D438,299 S *	2/2001	Gonzales .....	D23/380
D454,191 S *	3/2002	Swyst .....	D23/411
D455,746 S *	4/2002	Ronzani .....	D14/344
D516,807 S *	3/2006	Richardson .....	D3/273
D606,986 S *	12/2009	de Jong .....	D14/250
D634,313 S *	3/2011	Fitzpatrick .....	D14/250
D671,932 S *	12/2012	Azoulay .....	D14/250
D674,801 S *	1/2013	Wharram .....	D13/102
D685,785 S *	7/2013	Seoc .....	D14/353

(73) Assignee: **BEIJING ZERO ZERO INFINITY TECHNOLOGY CO., LTD**, Beijing (CN)

(\*) Notice: This patent is subject to a terminal disclaimer.

(\*\*) Term: **15 Years**

(Continued)

(21) Appl. No.: **29/569,115**

*Primary Examiner* — Robert M. Spear

*Assistant Examiner* — Marissa J Cash

(22) Filed: **Jun. 23, 2016**

(74) *Attorney, Agent, or Firm* — U.S. Fairsky LLP; Yue Xu

(30) **Foreign Application Priority Data**

(57) **CLAIM**

The ornamental design for a drone, as shown and described.

Dec. 28, 2015 (CN) ..... 2015 3 0561791

**DESCRIPTION**

(51) **LOC (11) Cl.** ..... **12-01**

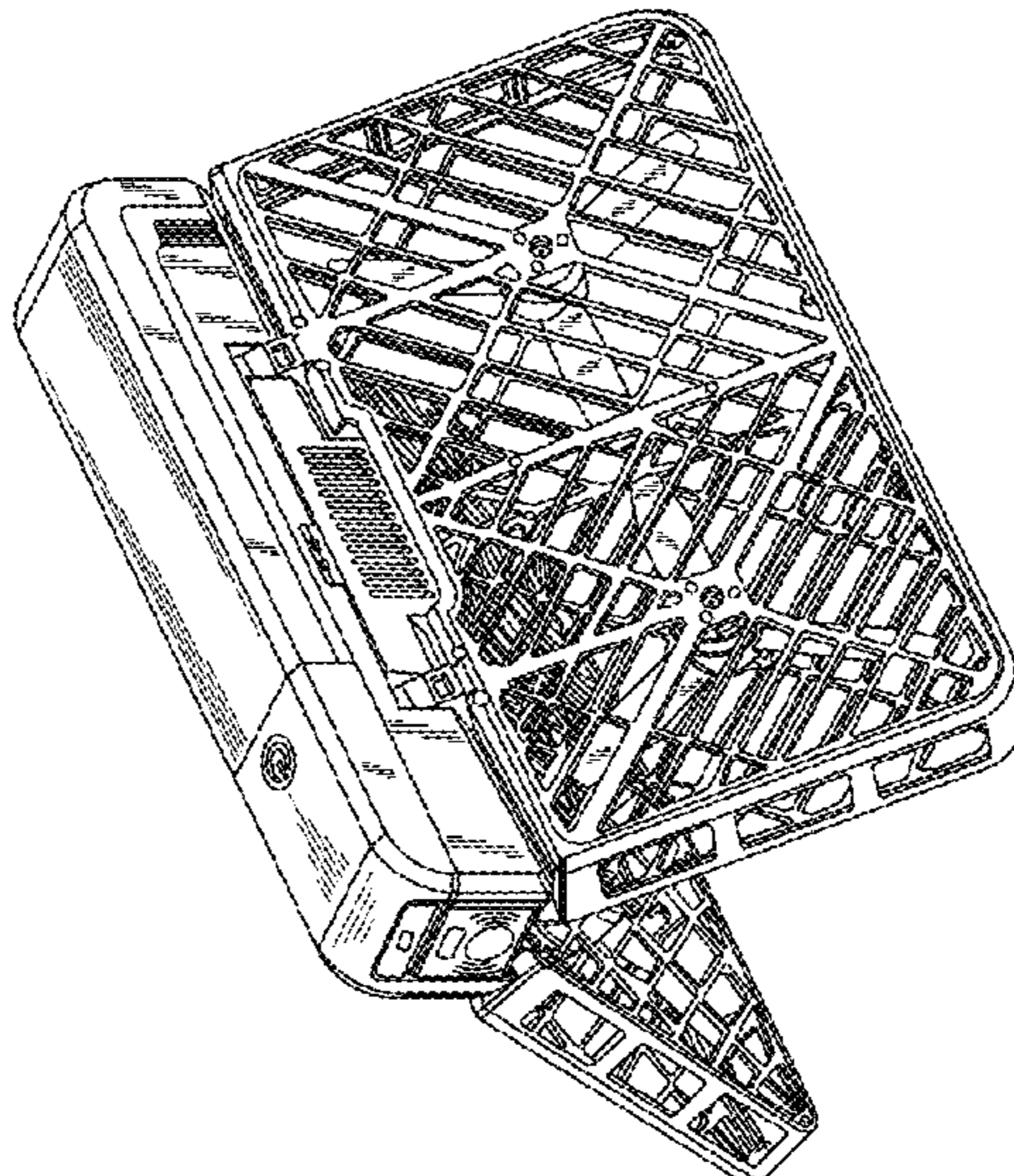
(52) **U.S. Cl.**  
USPC ..... **D12/16.1**

(58) **Field of Classification Search**  
USPC ..... D12/16.1, 319–345; D21/436, 441, 442, D21/443, 446, 447, 448, 449, 450, 451, D21/452, 453, 454; D14/250–252  
CPC ... B64C 27/20; B64C 27/08; B64C 2201/104; B64C 2201/021; B64C 2201/128; B64C 2201/024; B64C 2201/141; B64C 2201/108; B64C 39/024

FIG. 1 is a front view of a drone in accordance with the present invention;  
FIG. 2 is a rear view of the drone in FIG. 1;  
FIG. 3 is a left view of the drone in FIG. 1;  
FIG. 4 is a right view of the drone in FIG. 1;  
FIG. 5 is a top view of the drone in FIG. 1;  
FIG. 6 is a bottom view of the drone in FIG. 1;  
FIG. 7 is a front perspective view of the drone in FIG. 1;  
FIG. 8 is a rear perspective view of the drone in FIG. 1; and  
FIG. 9 is a reference view showing the drone in FIG. 1 in an alternate design position.

See application file for complete search history.

**1 Claim, 9 Drawing Sheets**



(56)

References Cited

U.S. PATENT DOCUMENTS

D708,272 S \* 7/2014 Schmelter ..... D12/16.1  
 D729,219 S \* 5/2015 Yung ..... D14/250  
 D745,505 S \* 12/2015 Barfoot ..... D14/250  
 D747,775 S \* 1/2016 Colin ..... D12/16.1  
 D754,115 S \* 4/2016 Lin ..... D14/250  
 D755,764 S \* 5/2016 Dong ..... D14/250  
 D756,342 S \* 5/2016 Lee ..... D14/250  
 D764,451 S \* 8/2016 Hung ..... D14/250  
 D765,642 S \* 9/2016 Bulkley ..... D14/250  
 D771,027 S \* 11/2016 Prstojevich ..... D14/250  
 D771,611 S \* 11/2016 Chang ..... D14/250  
 D772,756 S \* 11/2016 Gambus ..... D12/16.1  
 D774,496 S \* 12/2016 Kim ..... D14/250  
 D776,102 S \* 1/2017 Kim ..... D14/250  
 D777,159 S \* 1/2017 Lee ..... D14/250  
 D778,271 S \* 2/2017 Stump ..... D14/250  
 D784,316 S \* 4/2017 Lim ..... D14/250  
 D789,347 S \* 6/2017 Zamudio ..... D14/250

2012/0241555 A1\* 9/2012 Savoye ..... A63H 27/12  
 244/54  
 2013/0292269 A1\* 11/2013 Tages ..... A45C 11/00  
 206/37  
 2015/0057844 A1\* 2/2015 Callou ..... G05D 1/0204  
 701/3  
 2015/0144669 A1\* 5/2015 Chang ..... A45C 11/00  
 224/230  
 2015/0195938 A1\* 7/2015 Witter ..... H05K 5/03  
 206/521  
 2016/0286128 A1\* 9/2016 Zhou ..... H04N 5/23248  
 2016/0340021 A1\* 11/2016 Zhang ..... B64C 27/08  
 2016/0376004 A1\* 12/2016 Claridge ..... B64C 19/00  
 701/3  
 2017/0057630 A1\* 3/2017 Schwaiger ..... B64C 3/385  
 2017/0073065 A1\* 3/2017 Von Novak ..... B64C 27/08  
 2017/0081014 A1\* 3/2017 Stock ..... B64C 1/22  
 2017/0085840 A1\* 3/2017 Mizushina ..... G06F 3/044  
 2017/0113816 A1\* 4/2017 High ..... B64F 3/00

\* cited by examiner

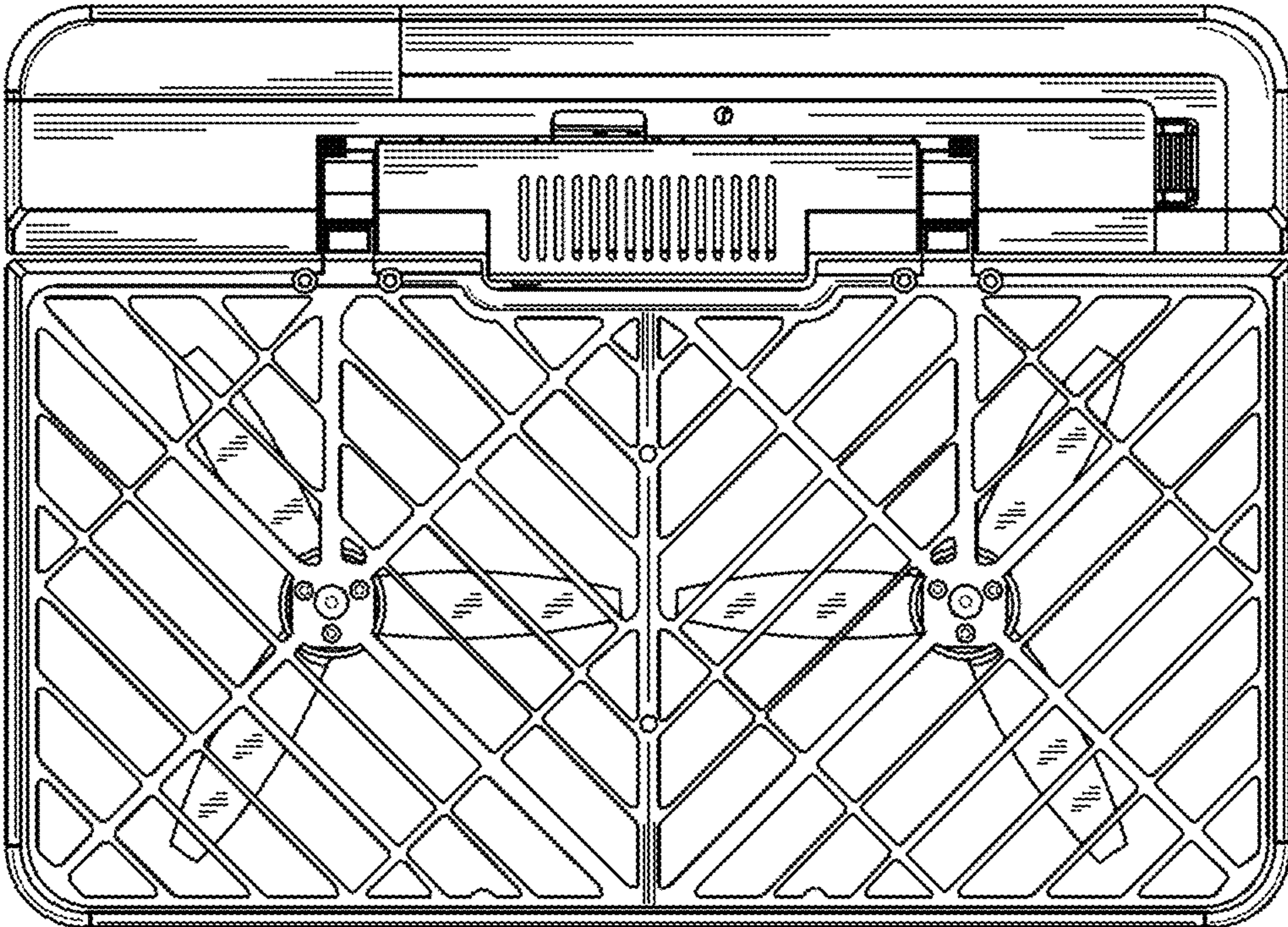


FIG. 1

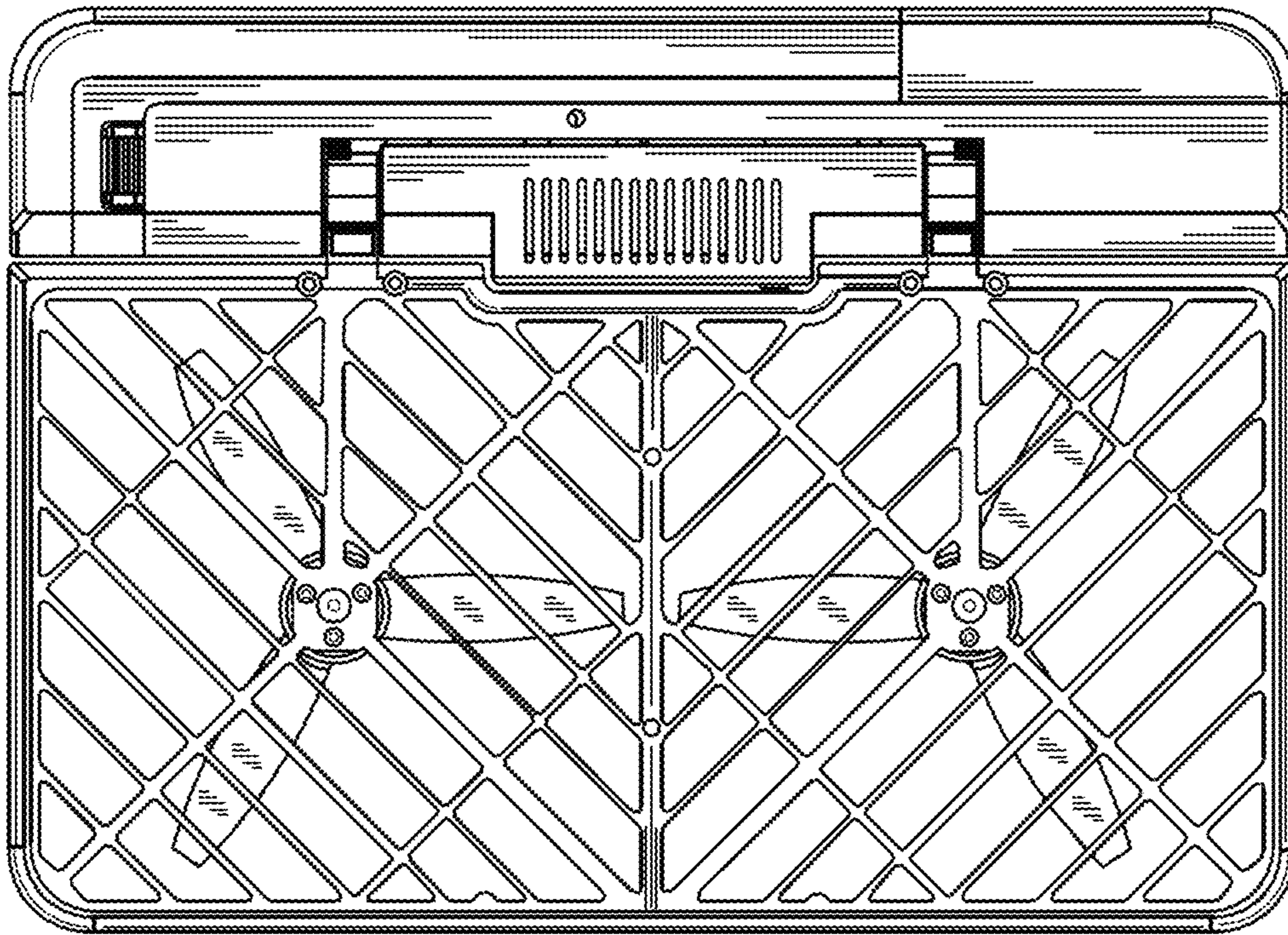


FIG. 2

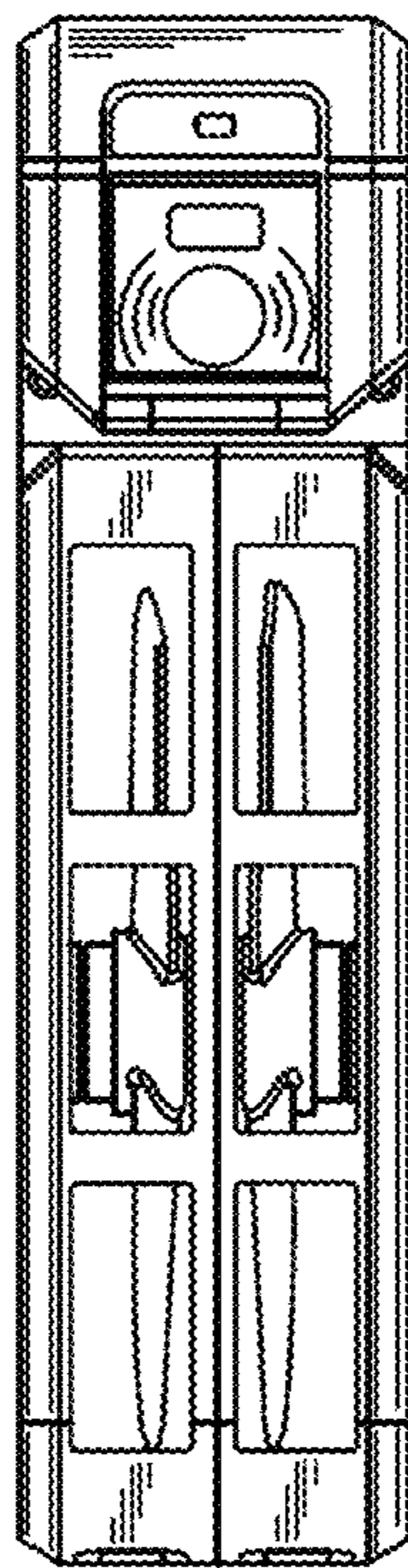


FIG. 3

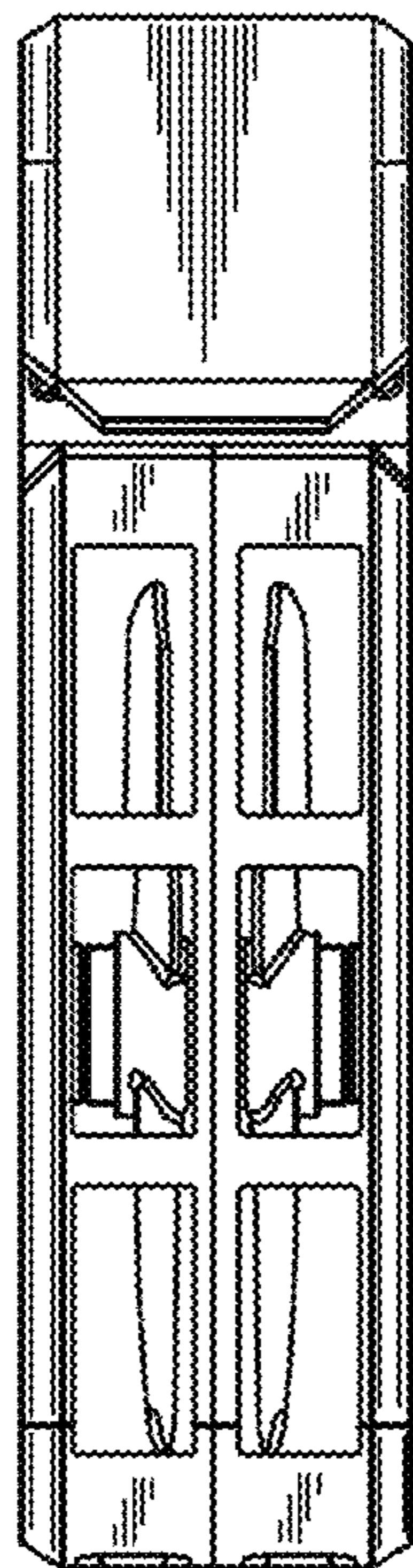


FIG. 4

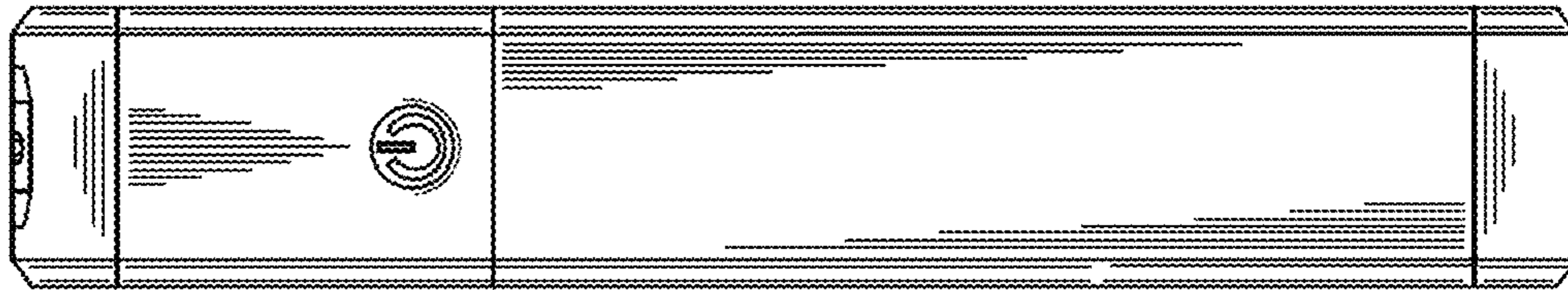


FIG. 5

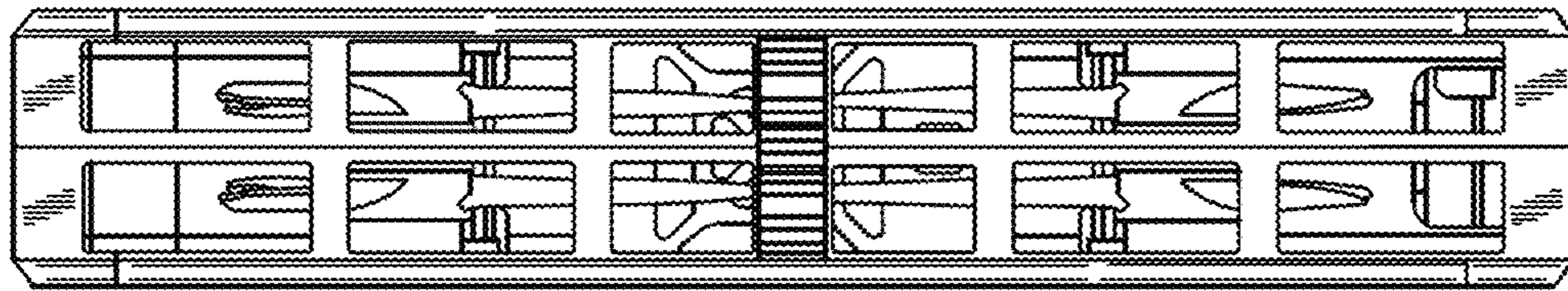


FIG. 6



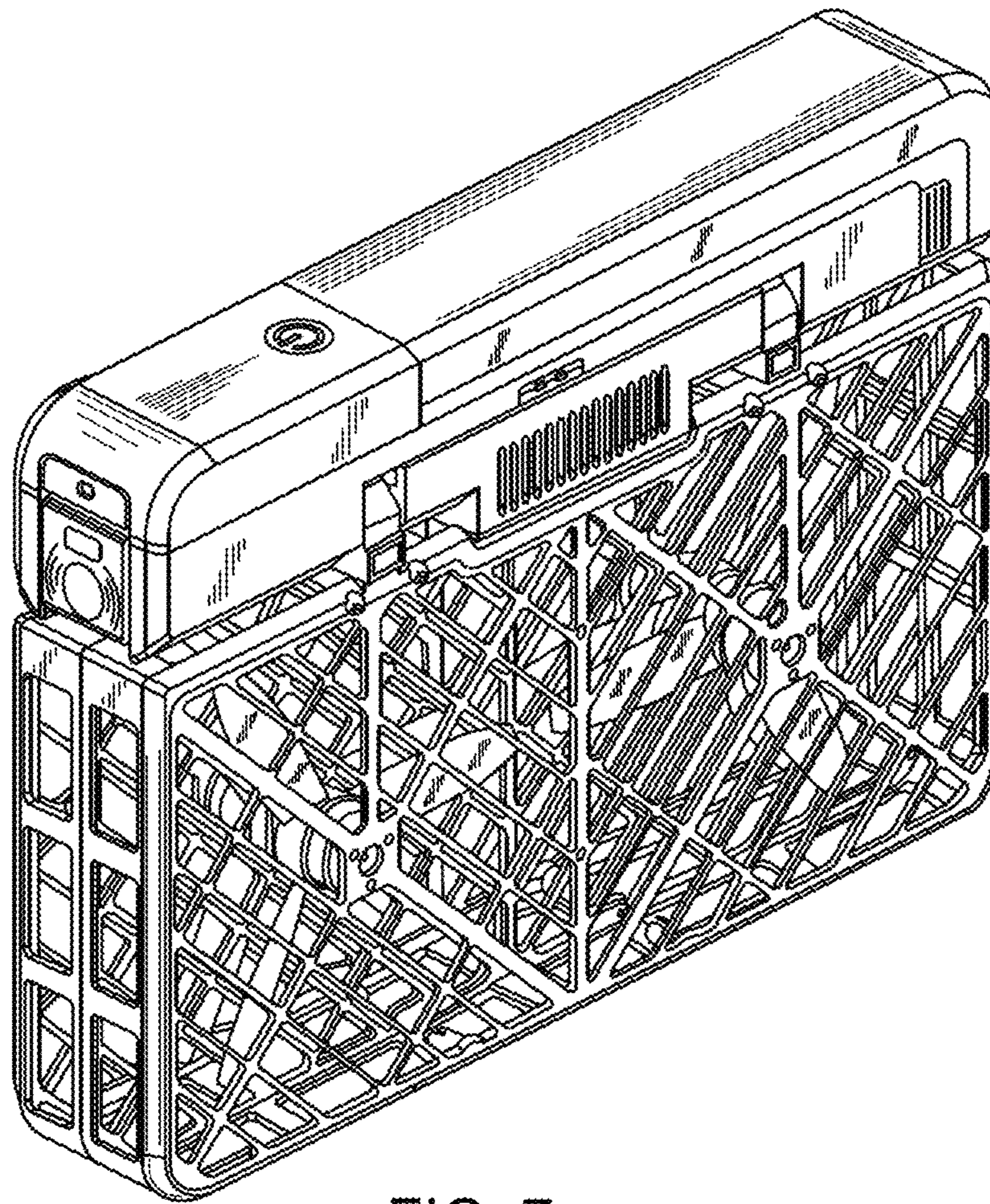


FIG. 7

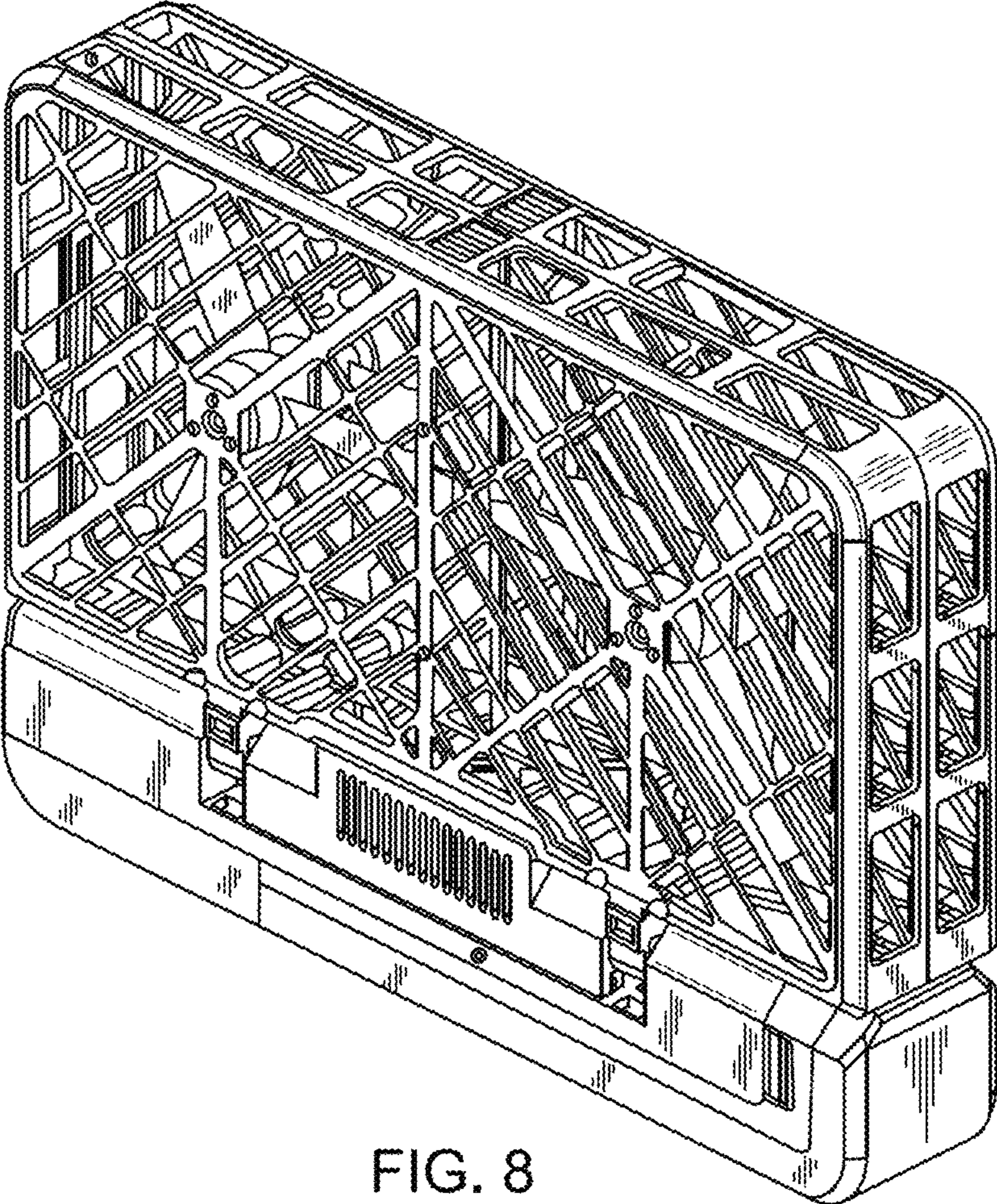


FIG. 8

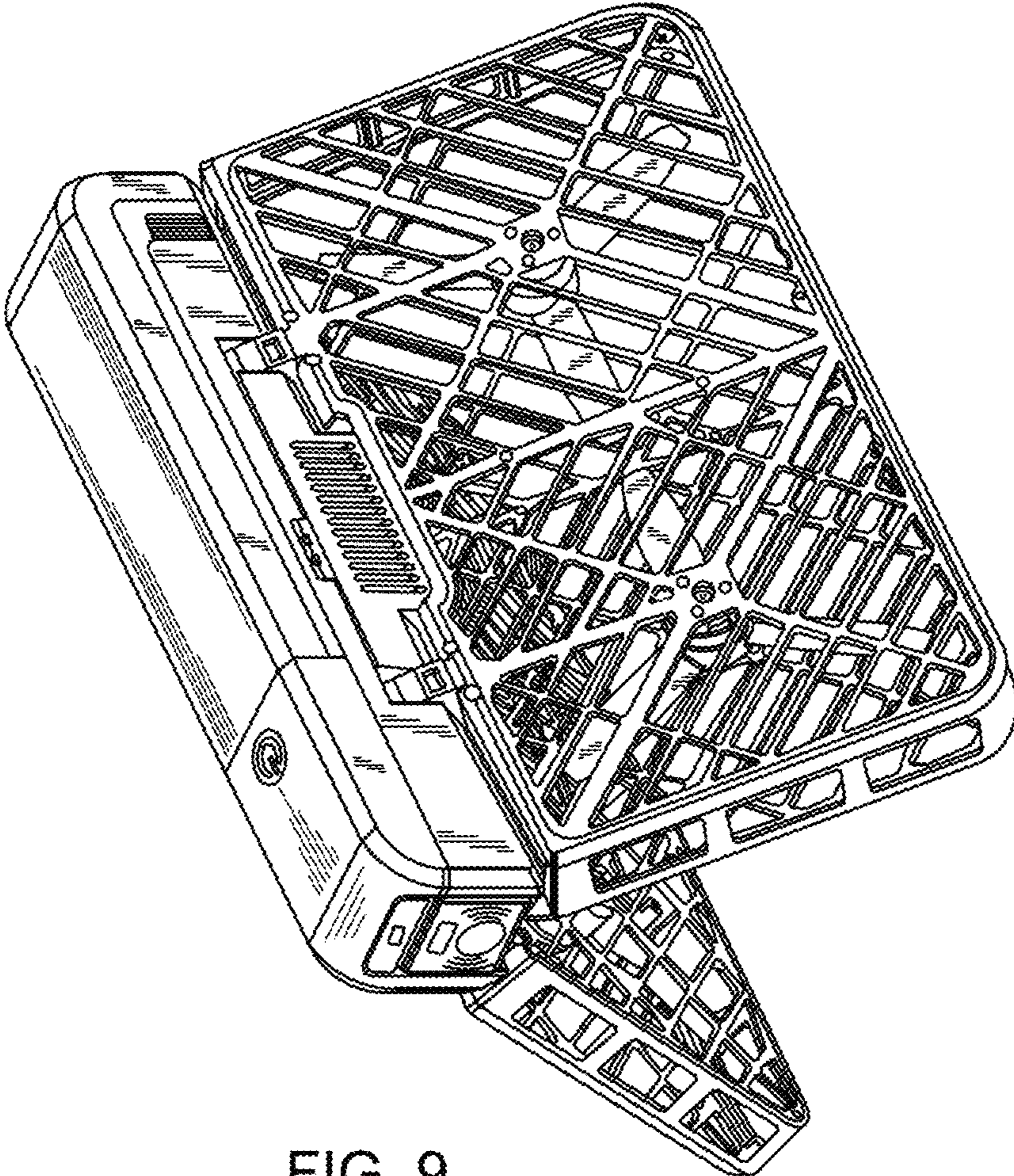


FIG. 9