



US00D809968S

(12) **United States Design Patent** (10) **Patent No.:** **US D809,968 S**
Lacock et al. (45) **Date of Patent:** **** Feb. 13, 2018**

- (54) **FRONT COWL FOR A VEHICLE**
- (71) Applicant: **INGERSOLL-RAND COMPANY**,
Davidson, NC (US)
- (72) Inventors: **Gregory James Lacock**, Augusta, GA
(US); **Grayson James Kroyer**,
Shakopee, MN (US); **Adam James
Hiler**, Minneapolis, MN (US)
- (73) Assignee: **Ingersoll-Rand Company**, Davidson,
NC (US)
- (**) Term: **15 Years**
- (21) Appl. No.: **29/566,461**
- (22) Filed: **May 31, 2016**
- (51) **LOC (11) Cl.** **12-02**
- (52) **U.S. Cl.**
USPC **D12/16**
- (58) **Field of Classification Search**
USPC D6/362; D12/1, 14, 16, 82, 86, 87, 88,
D12/92, 96, 107, 112, 113, 164, 173;
D15/10; D21/551, 556, 559; D34/15
CPC B62D 21/15; B62D 25/08; B62D 29/00;
B62D 29/04; B62D 33/02; B62D 25/081;
B62D 25/082; B62D 25/24; B23P 6/00;
B60R 21/34; B60R 13/0838; B60J 1/005
See application file for complete search history.

- (56) **References Cited**
U.S. PATENT DOCUMENTS
D352,723 S * 11/1994 DeBraal D12/163
D472,857 S * 4/2003 Weber D12/173
D562,189 S * 2/2008 Miwa D12/107
D629,724 S * 12/2010 Guay D12/164
D645,383 S * 9/2011 Mochizuki D12/164
D701,143 S * 3/2014 Shan D12/87
D722,536 S * 2/2015 Hobo D12/107
D738,257 S * 9/2015 Criss, Jr. D12/14

- D775,006 S * 12/2016 Lee D12/164
- 2003/0034670 A1* 2/2003 Adamski B62D 21/152
296/187.05
- 2012/0031694 A1* 2/2012 Deckard F16H 57/0416
180/68.3
- 2016/0144900 A1* 5/2016 Fortin B60R 19/023
296/193.1

OTHER PUBLICATIONS

Brad's Golf Cars, posted at Facebook.com, posted on Feb. 18, 2017,
[online], [site visited Feb. 21, 2017]. Available from Internet, <
<https://www.facebook.com/bradsgolfcars/photos/a.10152156321884979.1073741825.122625004978/10152576424379979/?type=3&theater>>.*

(Continued)

Primary Examiner — Mary Ann Calabrese
Assistant Examiner — Catherine Ho
(74) *Attorney, Agent, or Firm* — Sunstone IP

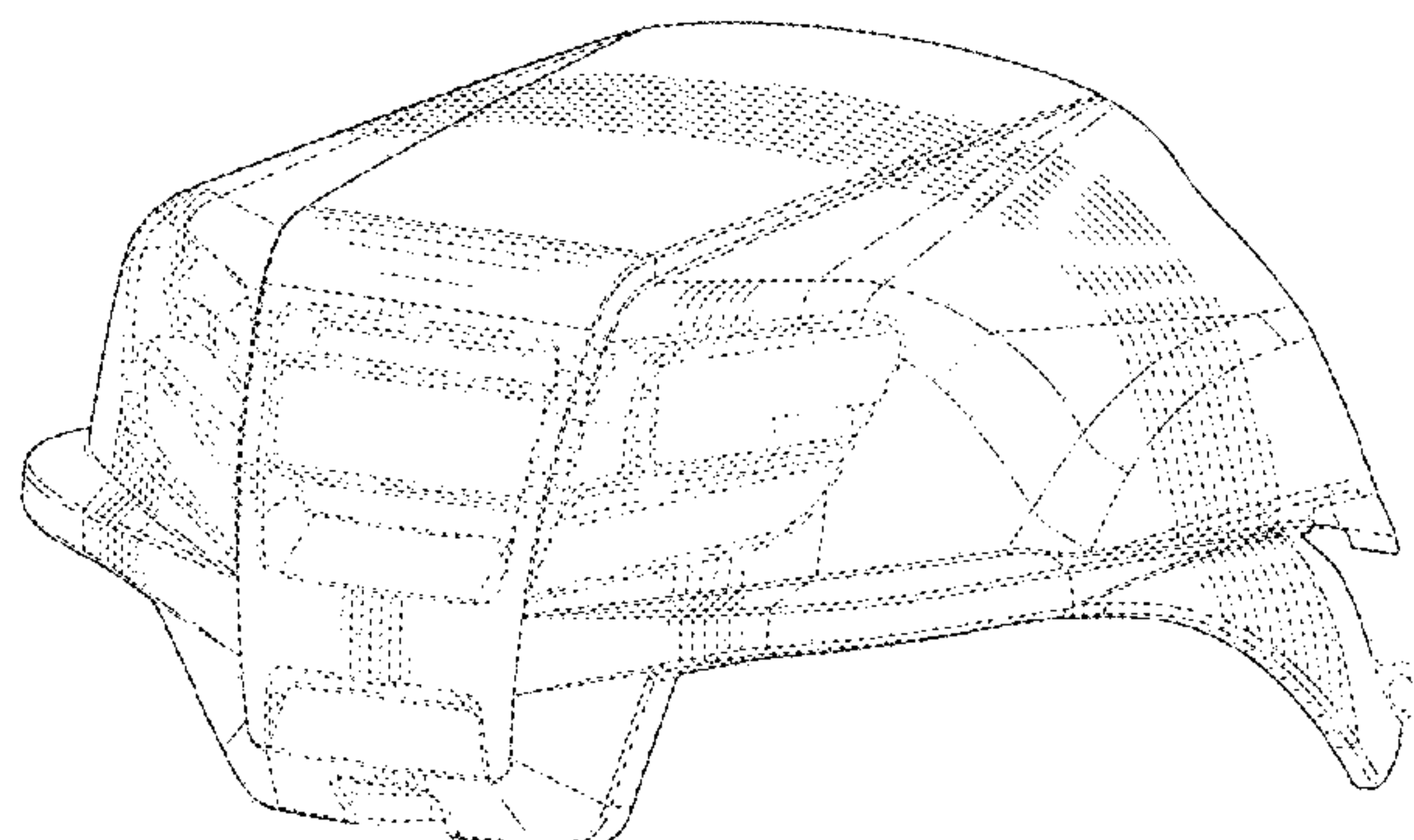
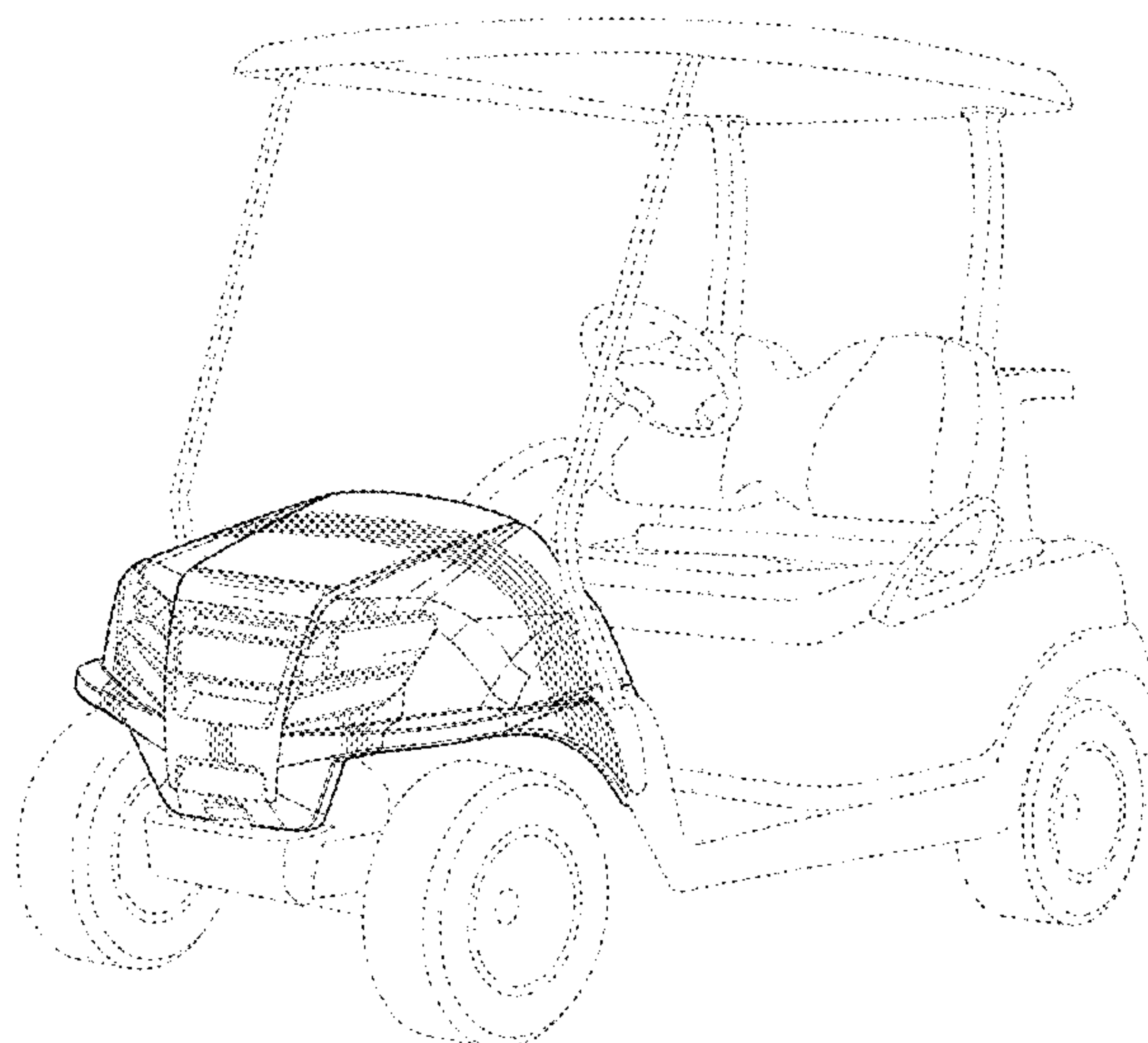
(57) **CLAIM**

The ornamental design for a front cowl for a vehicle, as shown and described.

DESCRIPTION

FIG. 1 is a front perspective view of the front cowl for a vehicle in an environment of use;
FIG. 2 is a front perspective view of the front cowl for a vehicle;
FIG. 3 is a front elevation view thereof;
FIG. 4 is a rear elevation view thereof;
FIG. 5 is a side elevation view thereof;
FIG. 6 is an opposite side elevation view thereof;
FIG. 7 is a top plan view thereof; and,
FIG. 8 is a bottom plan view thereof.
The broken line showing of parts of the drawings is included for the purpose of illustrating background environment and forms no part of the claimed design.

1 Claim, 7 Drawing Sheets



(56)

References Cited

OTHER PUBLICATIONS

Experience the E-Z-GO, posted at Youtube.com, posted on Mar. 15, 2013, [online], [site visited Feb. 21, 2017]. Available from Internet, < <https://youtu.be/f6XQCsPrnds?list=PL11N7igN6Eff-AEZolmEjyzJH0mGmOrXd>>.*

GEM Launches New Vehicles for 2015, posted at Smallvehiclresource.com, posted on Jul. 28, 2014, [online], [site visited Feb. 21, 2017]. Available from Internet, < <http://www.smallvehiclresource.com/blog/2014/07/28/gem-launches-new-vehicles-for-2015-model-year/>>.*

Review: Kubota RTV-X1120D UTV, posted at Youtube.com, posted on Feb. 25, 2015, [online], [site visited Feb. 21, 2017]. Available from Internet, < <https://www.youtube.com/watch?v=ue9pLqtUIXo>>.*

Office action dated Mar. 24, 2017 from U.S. Appl. No. 29/566,456, filed May 31, 2016.

Notice of Allowance dated Sep. 26, 2017 from U.S. Appl. No. 29/566,456, filed May 31, 2016.

* cited by examiner

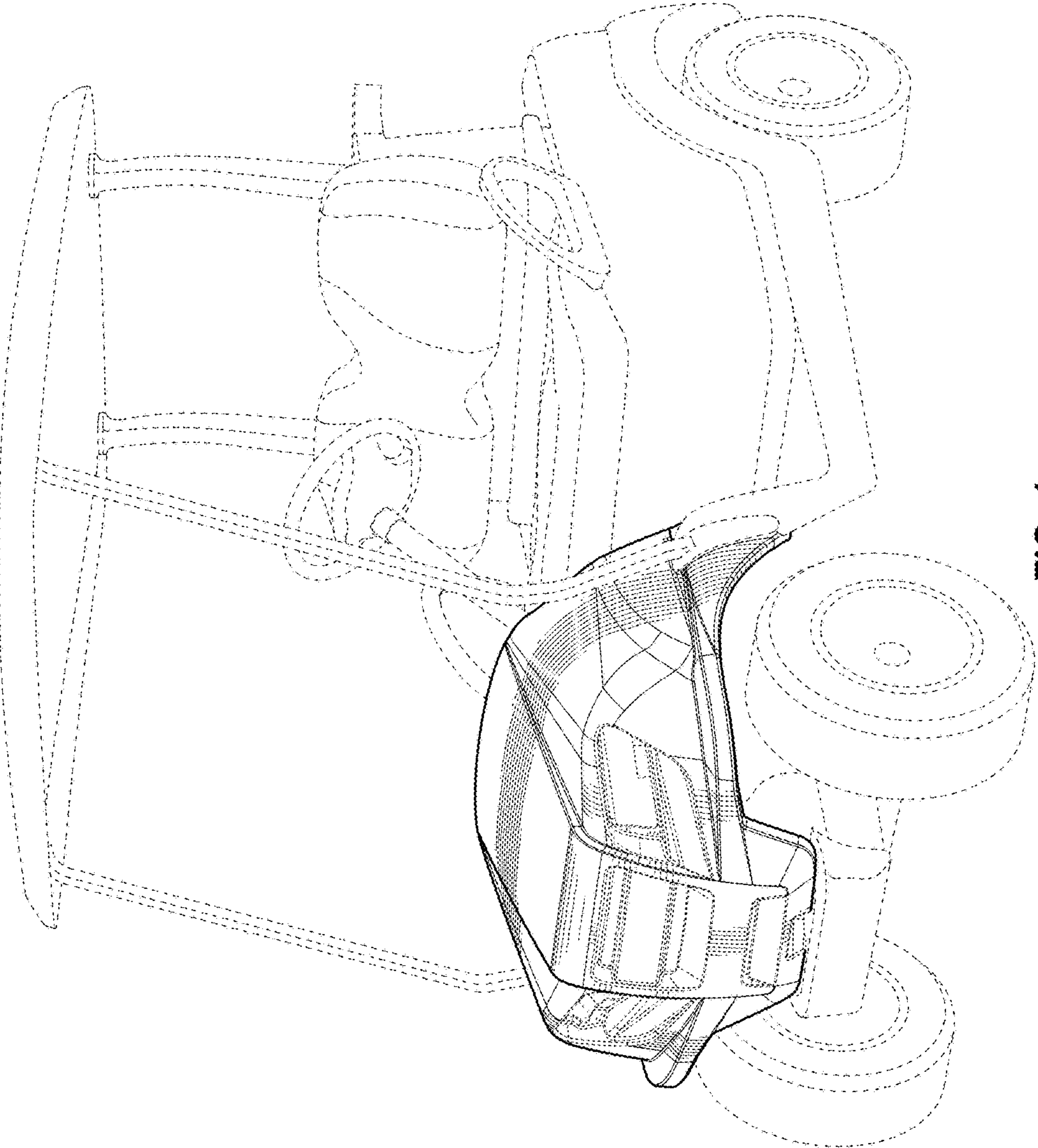


FIG. 1

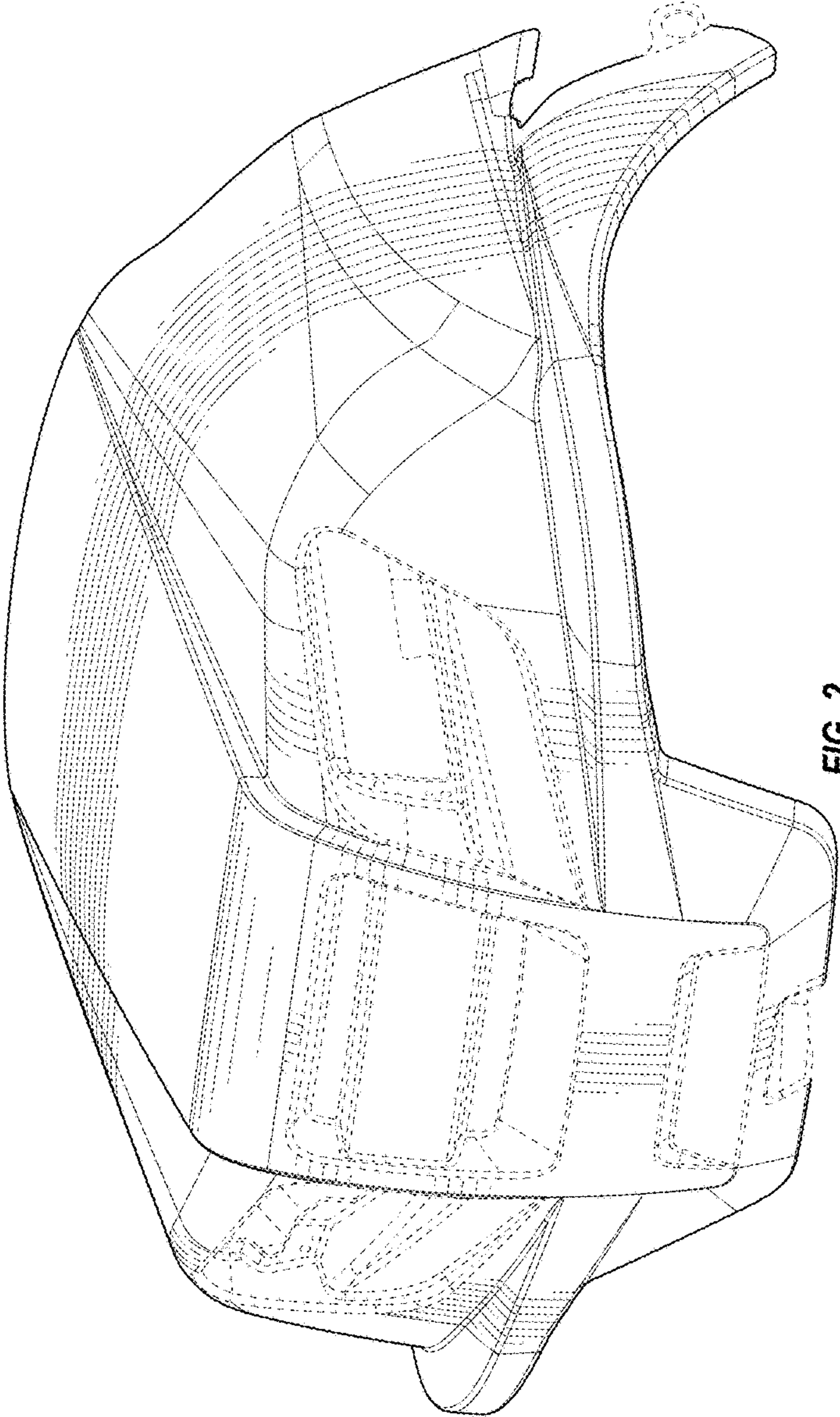


FIG. 2

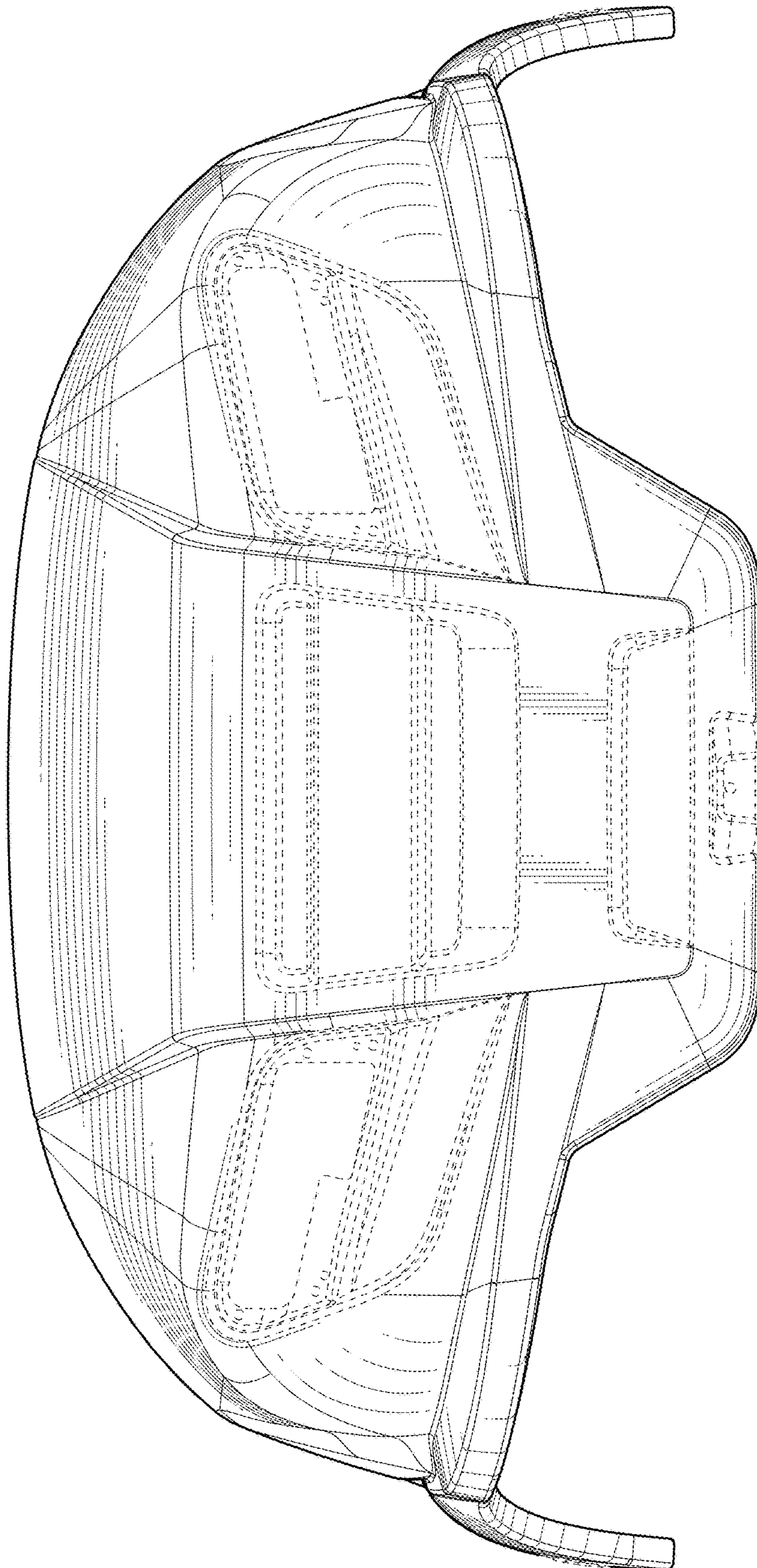


FIG. 3

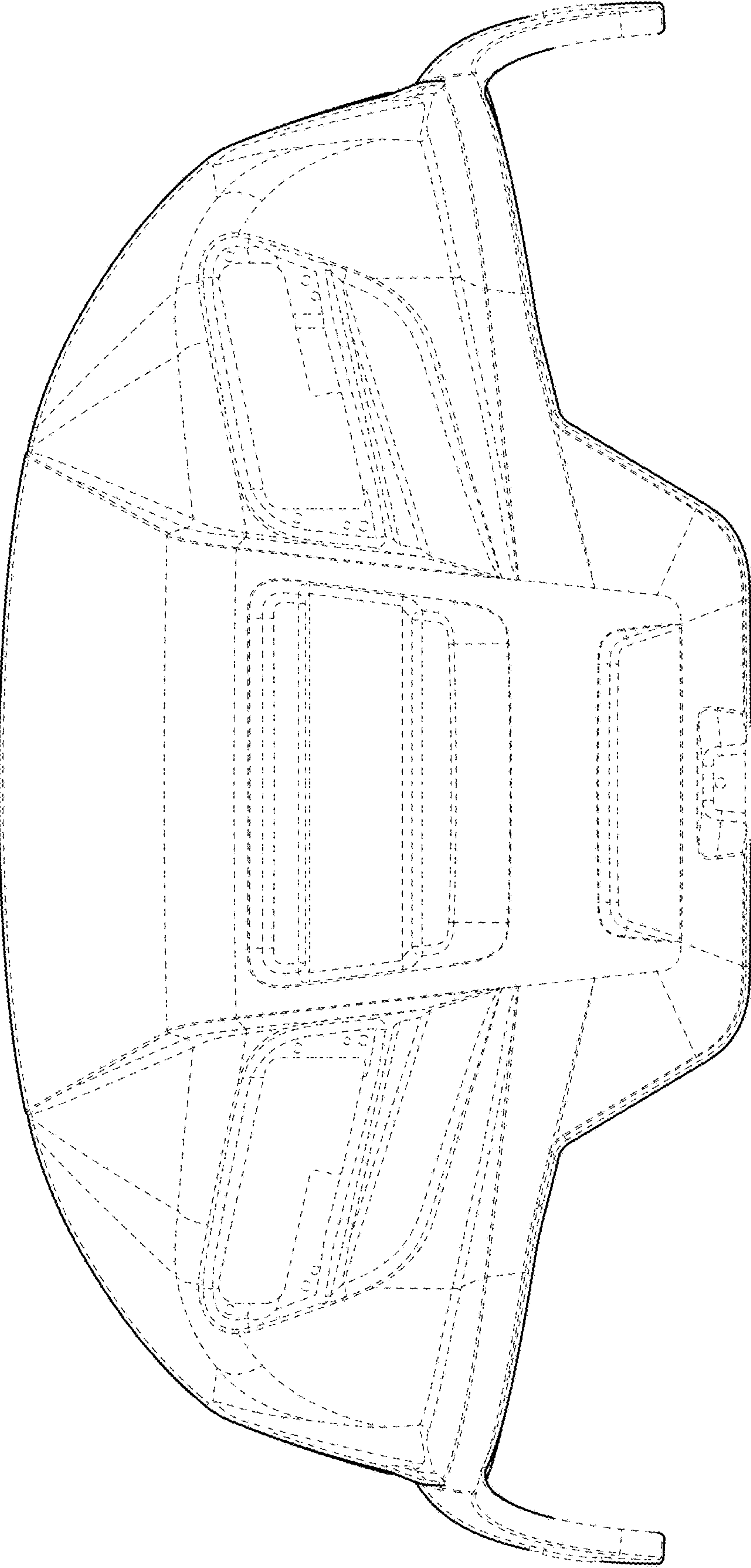


FIG. 4

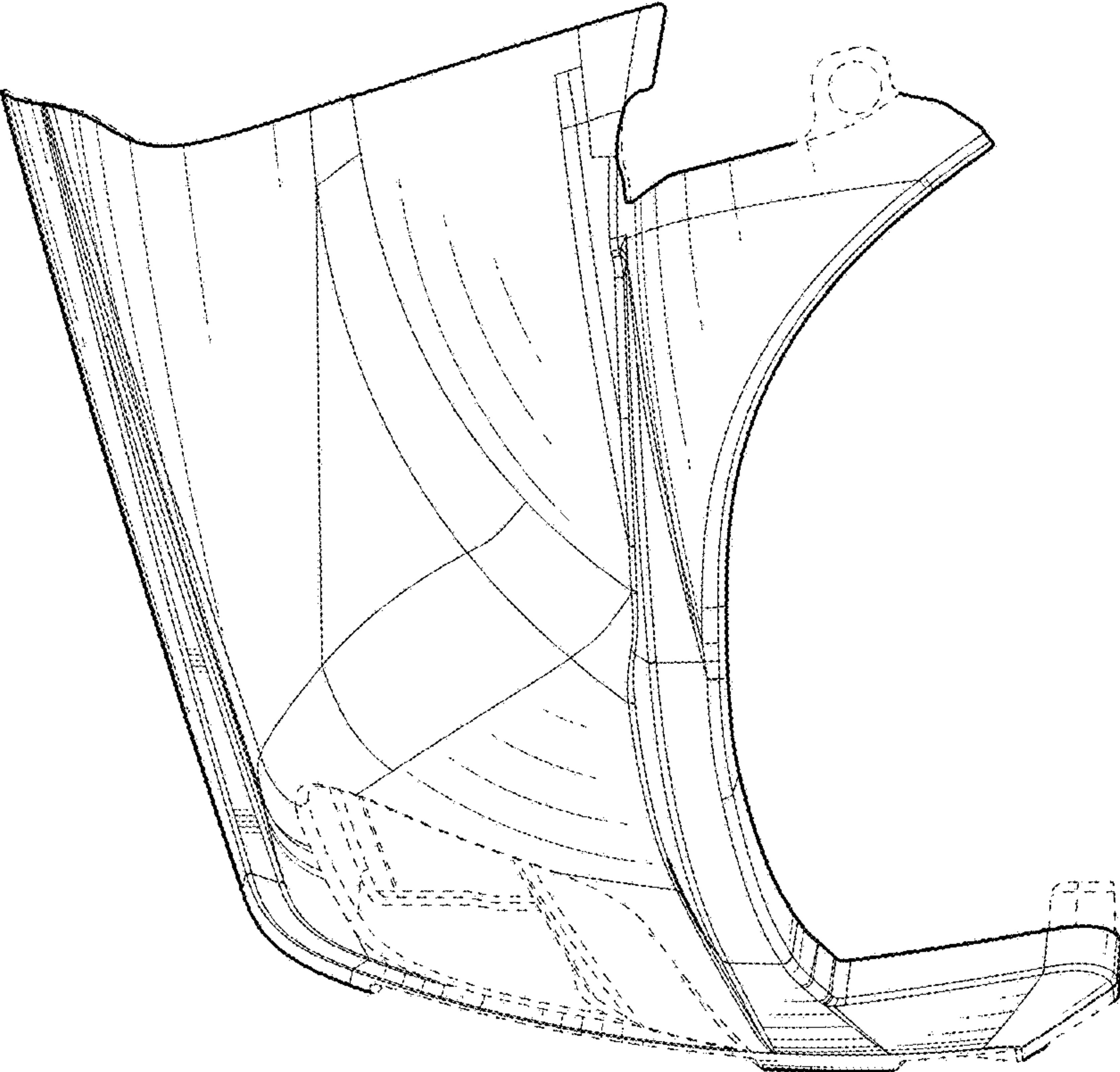


FIG. 5

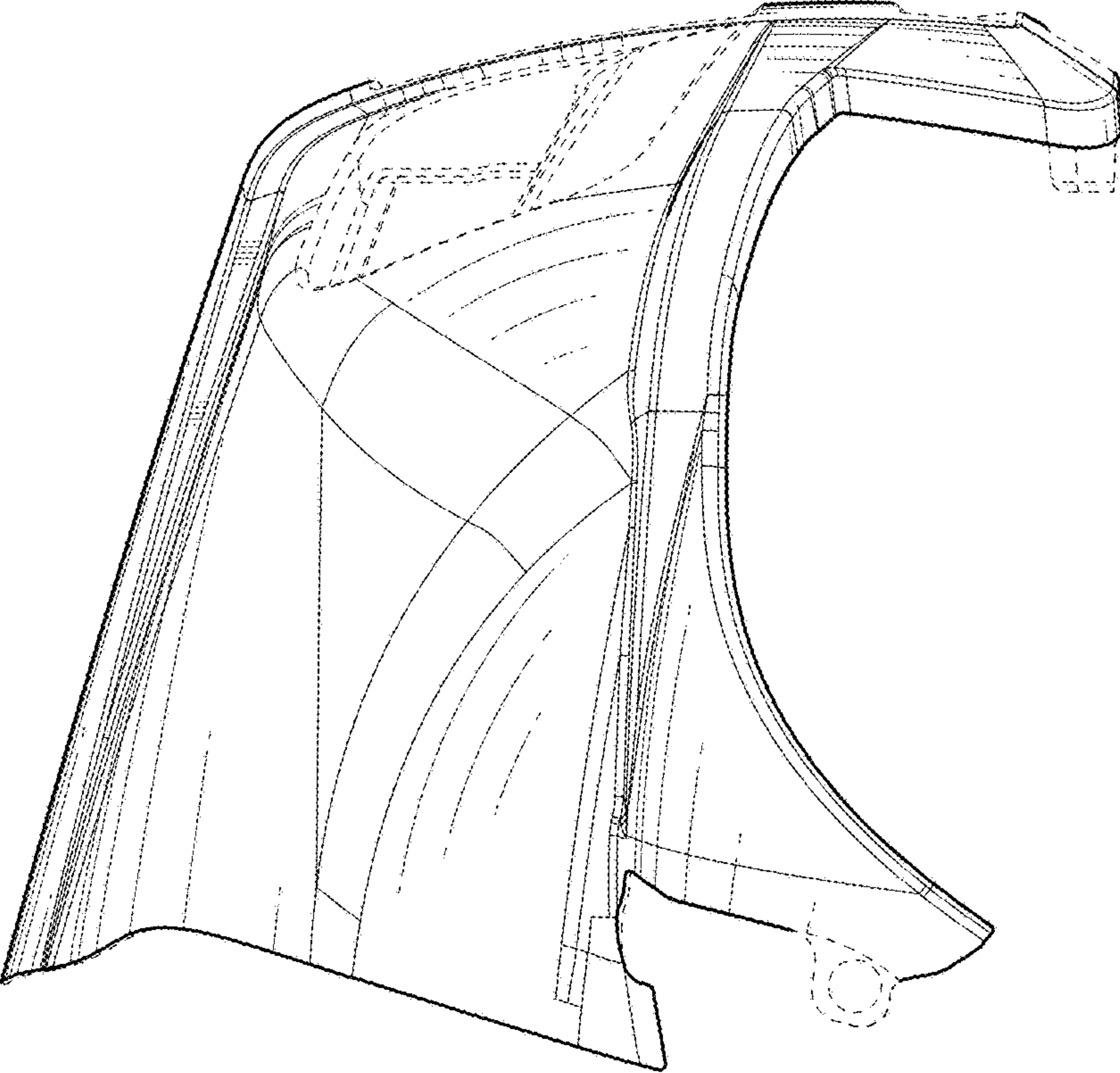


FIG. 6

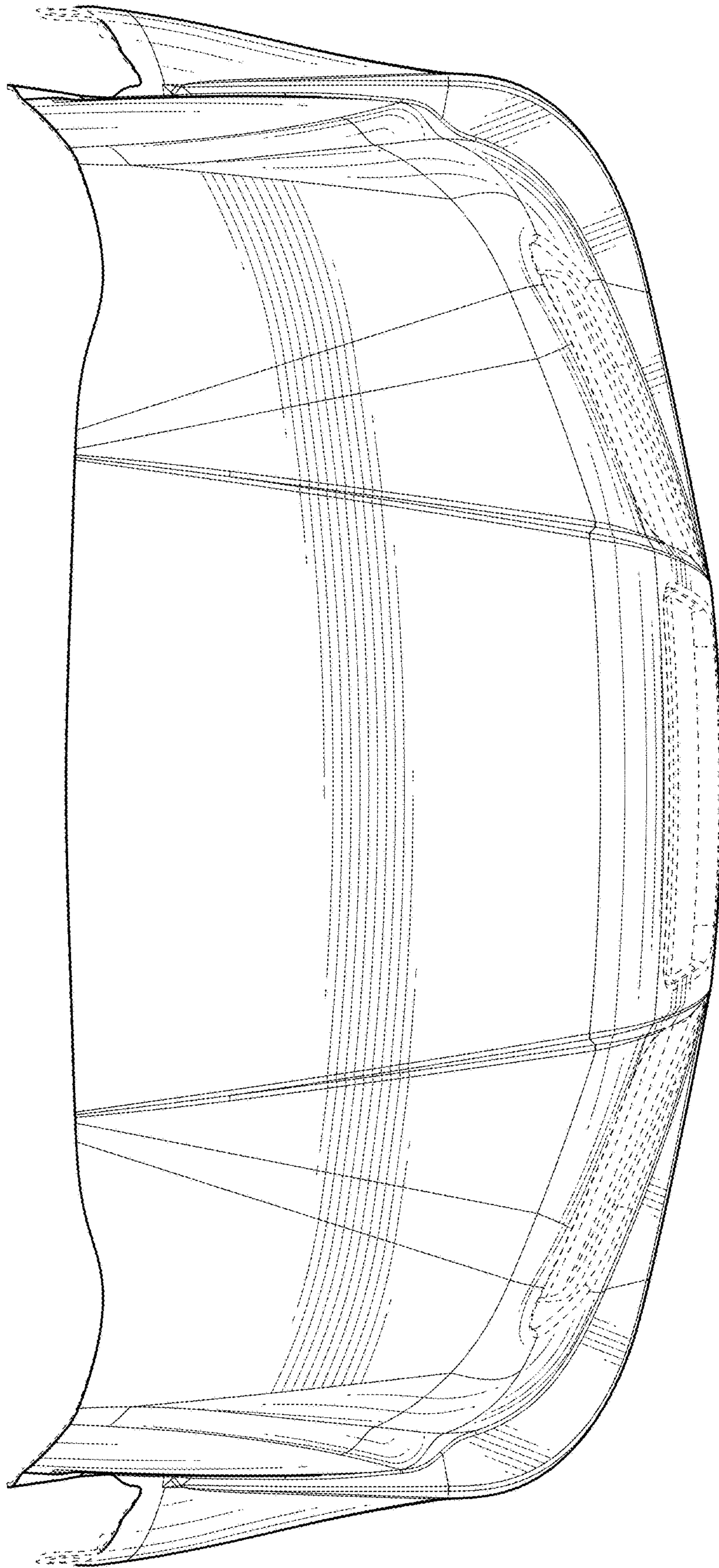


FIG. 7

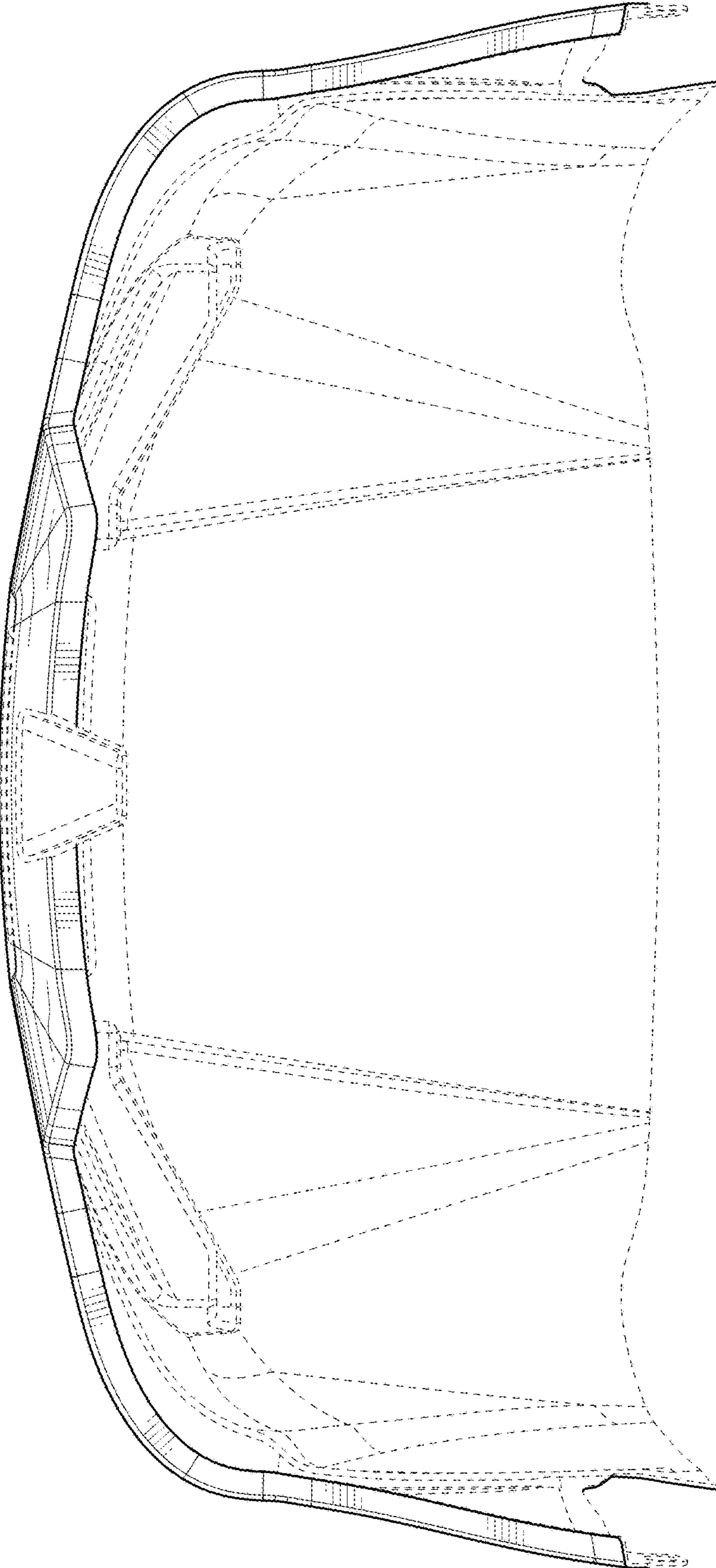


FIG. 8