



US00D809965S

(12) **United States Design Patent** (10) **Patent No.:** **US D809,965 S**  
**Linneberg** (45) **Date of Patent:** **\*\* Feb. 13, 2018**

(54) **AEROPONIC COLUMN** 2013/0118074 A1\* 5/2013 Fulbrook ..... A01G 9/025  
47/62 N  
(71) Applicant: **Aerospring Gardens Pte. Ltd.,** 2013/0152468 A1\* 6/2013 Huang ..... A01G 9/022  
Singapore (SG) 47/82  
2014/0000162 A1\* 1/2014 Blank ..... A01G 31/06  
47/62 A  
(72) Inventor: **Thorben Linneberg, Singapore (SG)** 2015/0313104 A1\* 11/2015 Cottrell ..... A01G 1/001  
47/62 A  
(73) Assignee: **Aerospring Gardens, Pte. Ltd.,** 2015/0334930 A1\* 11/2015 Stoltzfus ..... A01G 31/06  
Singapore (SG) 47/62 A  
(\*\*) Term: **15 Years** 2016/0050863 A1\* 2/2016 Graber ..... A01G 31/02  
47/62 R  
(21) Appl. No.: **29/559,507** 2016/0100535 A1\* 4/2016 Daugirdas ..... A01G 31/001  
47/62 E  
2016/0120141 A1\* 5/2016 Stoltzfus ..... A01G 31/06  
47/62 A

(Continued)

(22) Filed: **Mar. 29, 2016**  
(51) **LOC (11) Cl.** ..... **11-02**  
(52) **U.S. Cl.**  
USPC ..... **D11/152**  
(58) **Field of Classification Search**  
USPC ..... D11/143, 152, 155; D6/405; D8/1  
CPC .... A01G 31/06; A01G 31/0001; A01G 31/02;  
A01G 9/023  
See application file for complete search history.

FOREIGN PATENT DOCUMENTS

WO WO-2017058116 A1 \* 4/2017

*Primary Examiner* — Sheryl Lane

(74) *Attorney, Agent, or Firm* — Porter, Wright, Morris & Arthur, LLP.

(57) **CLAIM**

The ornamental design for an aeroponic column, as shown and described.

(56) **References Cited**

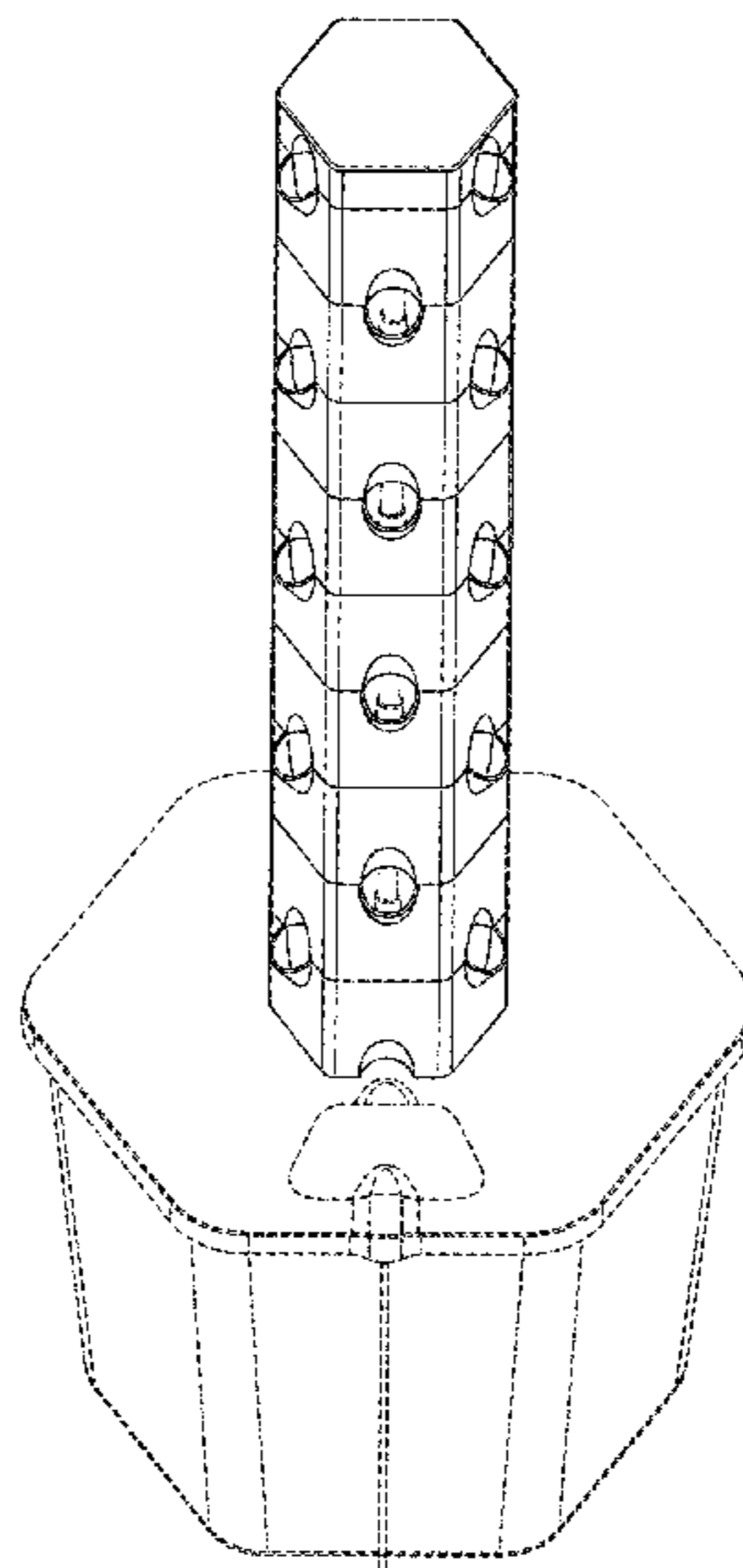
U.S. PATENT DOCUMENTS

D262,274 S \* 12/1981 Lahr ..... 47/82  
4,622,777 A \* 11/1986 Greene, Jr. .... A01G 9/022  
47/67  
5,276,997 A \* 1/1994 Swearingin ..... A01G 9/022  
47/48.5  
D376,714 S \* 12/1996 Dallimore ..... D11/152  
D603,181 S \* 11/2009 Carlington ..... D6/405  
D638,743 S \* 5/2011 Bouchard ..... D11/143  
D752,478 S \* 3/2016 Cudmore ..... D11/152  
D758,917 S \* 6/2016 Smith ..... D11/155  
D760,622 S \* 7/2016 Ogden ..... D11/143  
2003/0089037 A1\* 5/2003 Ware ..... A01G 31/02  
47/83  
2006/0032128 A1\* 2/2006 Bryan, III ..... A01G 31/06  
47/62 R

**DESCRIPTION**

FIG. 1 is a perspective view of an aeroponic column according to my new design;  
FIG. 2 is a front side view thereof;  
FIG. 3 is a rear side view thereof;  
FIG. 4 is a right side view thereof;  
FIG. 5 is a left side view thereof;  
FIG. 6 is a top side view thereof; and,  
FIG. 7 is a bottom side view thereof.  
The broken lines in the figures indicate environment and form no part of the claimed design.

**1 Claim, 3 Drawing Sheets**



(56)

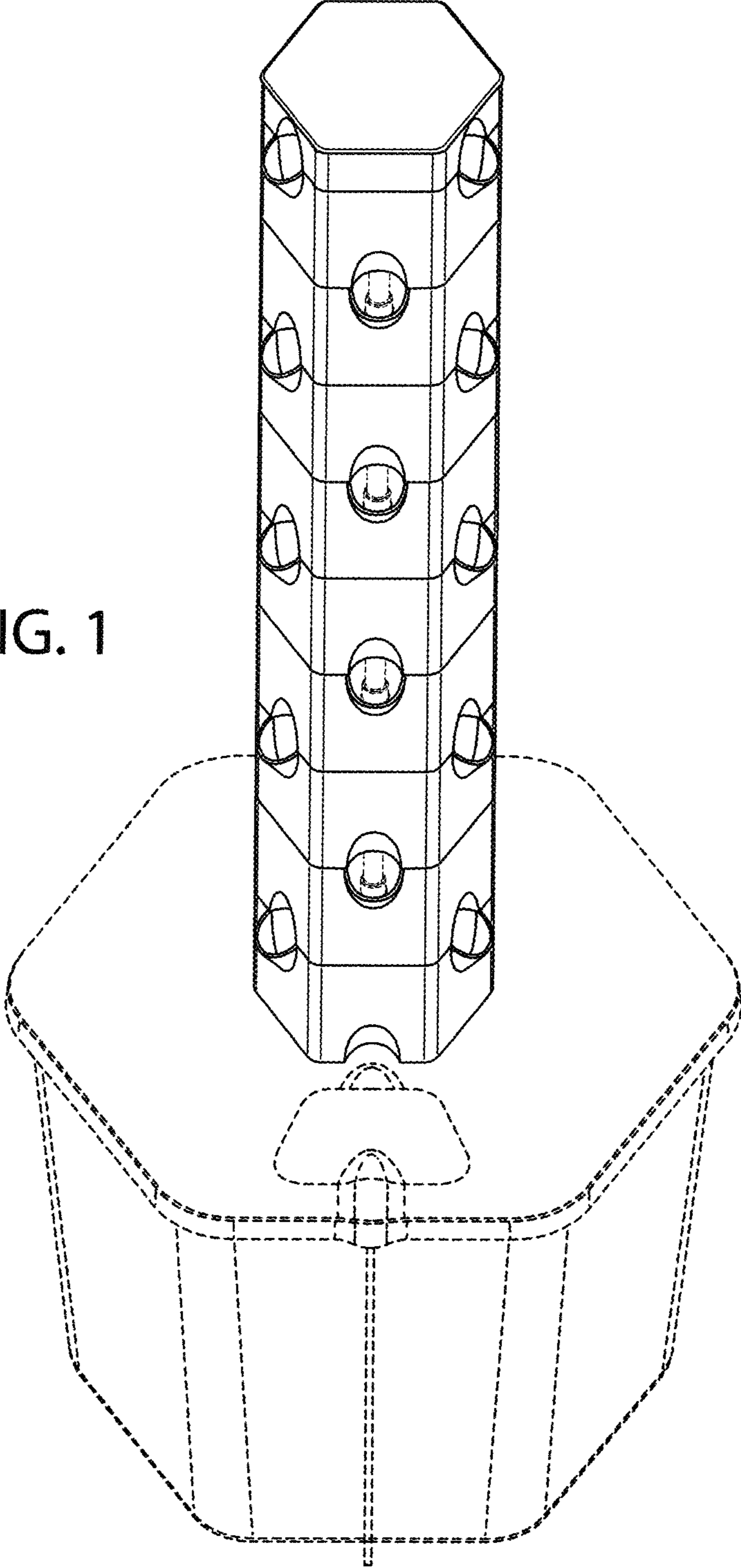
**References Cited**

U.S. PATENT DOCUMENTS

2017/0055473 A1\* 3/2017 Baker ..... A01G 9/023  
2017/0105372 A1\* 4/2017 Bryan, III ..... A01G 27/005

\* cited by examiner

FIG. 1



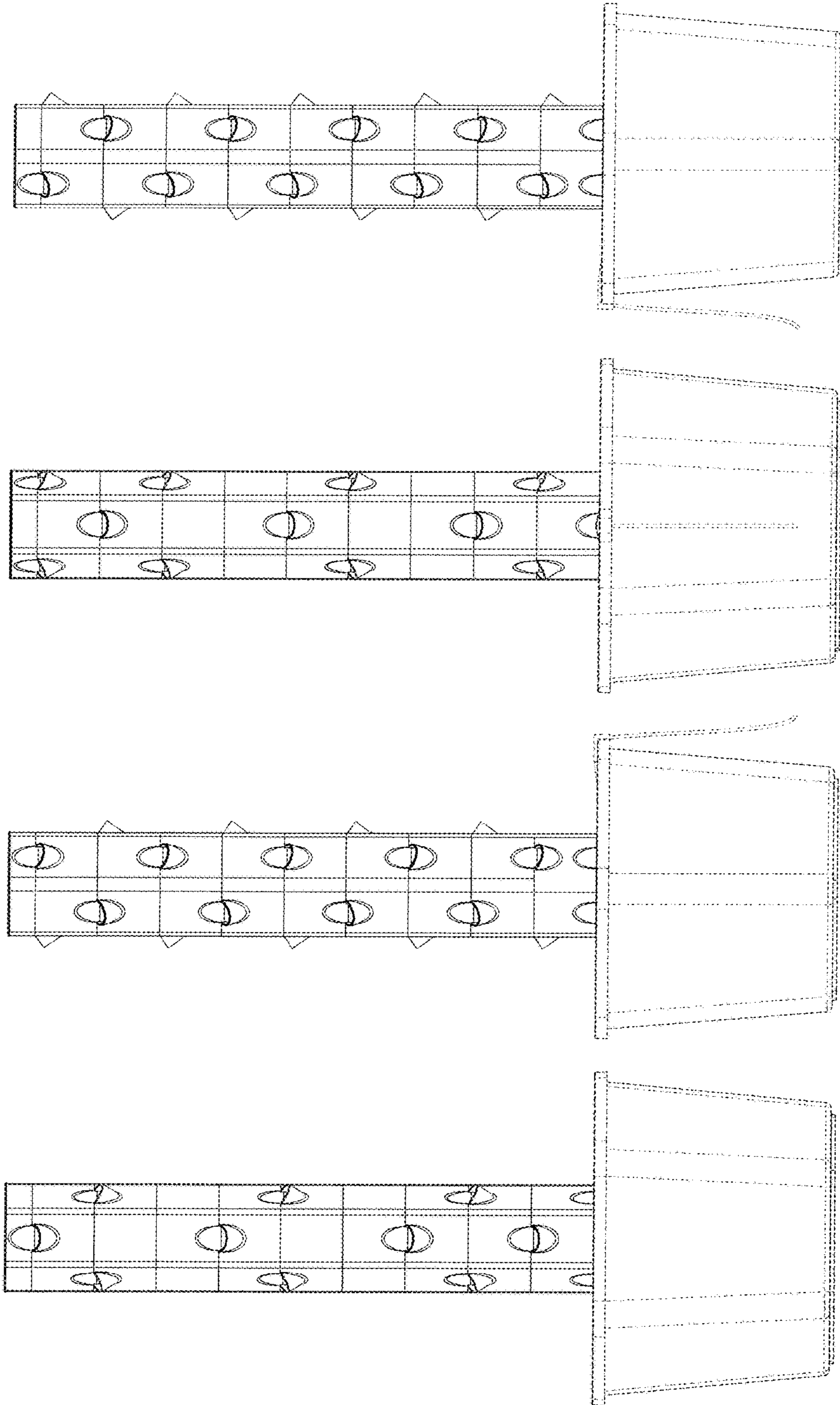


FIG. 2

FIG. 3

FIG. 4

FIG. 5

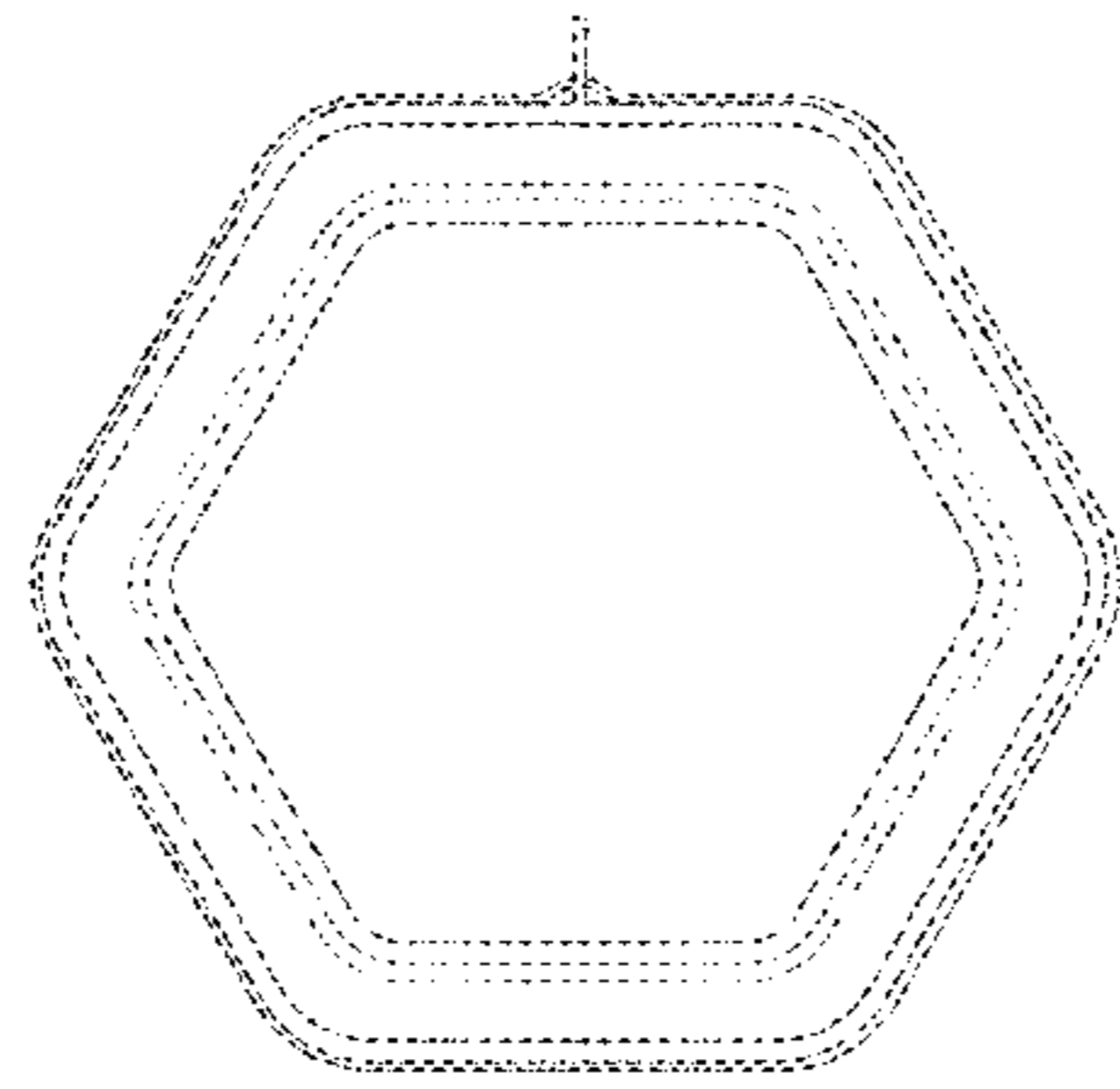


FIG. 7

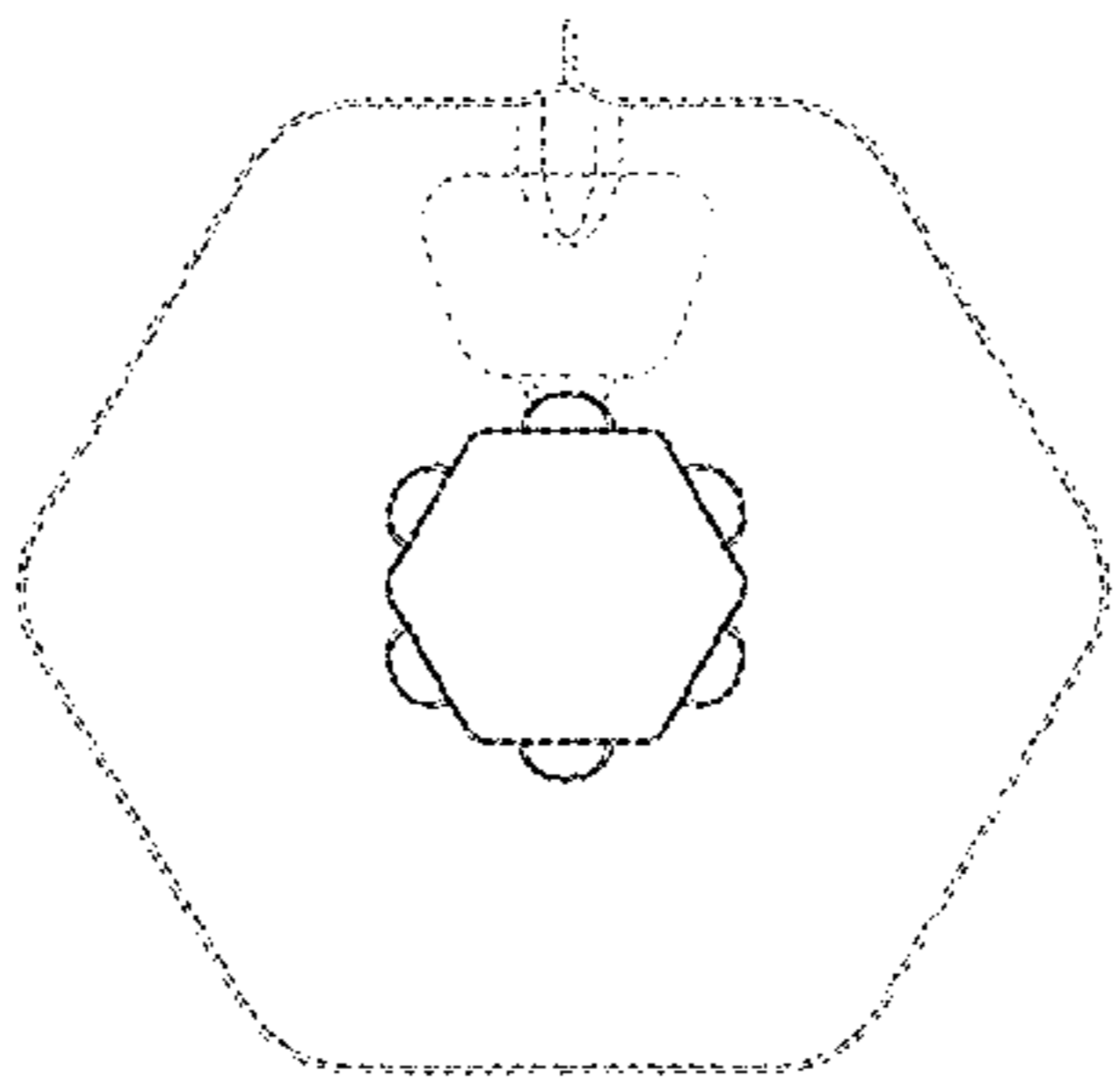


FIG. 6