



US00D809964S

(12) **United States Design Patent** (10) **Patent No.:** **US D809,964 S**
Harshman et al. (45) **Date of Patent:** **** Feb. 13, 2018**

(54) **COMBINATION PLANT HOLDER AND AMPLIFIER**

- (71) Applicant: **Syndicate Sales, Inc.**, Kokomo, IN (US)
- (72) Inventors: **Trent A. Harshman**, Galveston, IN (US); **Austin McMillan**, Indianapolis, IN (US)
- (73) Assignee: **Syndicate Sales, Inc.**, Kokomo, IN (US)

(**) Term: **15 Years**

(21) Appl. No.: **29/585,286**

(22) Filed: **Nov. 22, 2016**

(51) **LOC (11) Cl.** **11-02**

(52) **U.S. Cl.**
USPC **D11/144**; D14/168; D14/188

(58) **Field of Classification Search**

USPC D14/168, 188, 194, 195, 196, 204, 210, D14/211, 212, 213, 214, 215, 216, 157, D14/221, 222, 223, 224, 217, 257, 258; D6/403, 405; D11/143, 144, 152, 156; D8/1

CPC ... B60R 11/0217; B60R 11/02; G06F 1/1688; G10K 9/22; G10K 11/004; H03F 1/327; H04M 1/03; H04M 1/035; H04N 5/642; H04N 21/4852; H04S 3/00; H04S 7/30; H04R 1/02; H04R 1/06; H04R 1/021; H04R 1/025; H04R 1/026; H04R 1/028; H04R 1/105; H04R 1/323; H04R 1/403; H04R 1/2803; H04R 1/2834; H04R 5/02; H04R 7/20; H04R 9/06; H04R 9/025; H04R 2201/021; H04R 2400/00; H04R 2400/07; H04R 2499/11; H04R 2499/13; H04R 2499/15

See application file for complete search history.

(56) **References Cited**

U.S. PATENT DOCUMENTS

D85,425	S	*	10/1931	Wolfsheim	D9/418
D90,041	S	*	5/1933	Wright	119/253
D158,893	S	*	6/1950	O'Brien	D11/144
2,727,241	A	*	12/1955	Smith	A41D 13/081
						2/66
D214,439	S	*	6/1969	Wormser	D10/46.2
D243,352	S	*	2/1977	Gray, Sr.	D30/101
D248,713	S	*	8/1978	Dedrick	D11/143
D261,465	S	*	10/1981	Minchew	D30/130

(Continued)

OTHER PUBLICATIONS

iMore—Bloombox natural iPhone amplifier, announced Aug. 21, 2012 [online], [site visited Sep. 5, 2017]. Available from internet, URL: <<https://www.imore.com/bloombox-natural-iphone-amplifier-dock-doubles-fancy-planter>>.*

Apple Insider—Sound Cylinder, announced Mar. 8, 2013 [online], [site visited Sep. 5, 2017]. Available from internet, URL: <<https://forums.appleinsider.com/discussion/156380/review-definitive-technologys-sound-cylinder-delivers-premium-audio-in-compact-package>>.*

(Continued)

Primary Examiner — Keli L Hill
Assistant Examiner — Karra S Johnson
 (74) *Attorney, Agent, or Firm* — Woodard, Emhardt, Moriarty, McNett & Henry LLP; William A. McKenna; Thomas Q. Henry

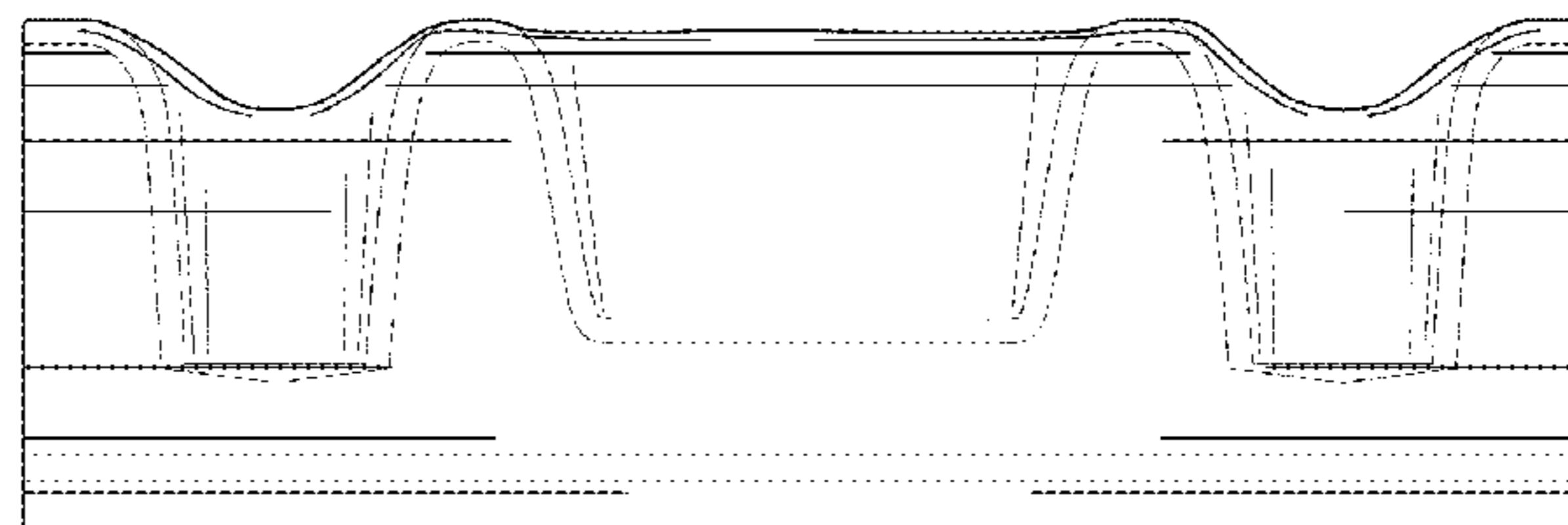
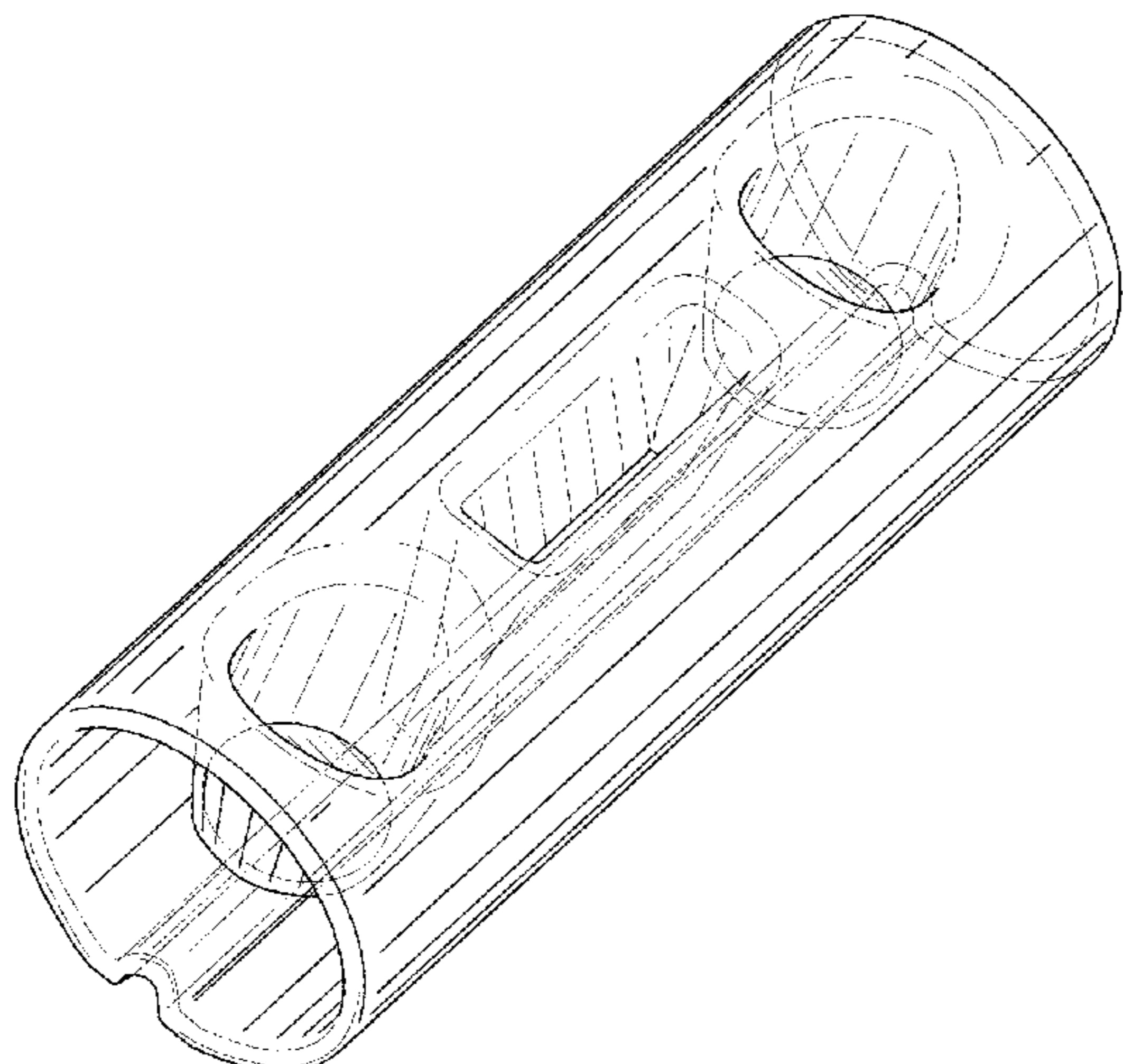
(57) **CLAIM**

The ornamental design for a combination plant holder and amplifier, as shown and described.

DESCRIPTION

FIG. 1 is a top perspective view of the combination plant holder and amplifier incorporating our new design;
 FIG. 2 is a front view with the rear view being a mirror image thereof;
 FIG. 3 is a left end view with the right end view being a mirror image thereof;
 FIG. 4 is a top view thereof; and,
 FIG. 5 is a bottom view.

1 Claim, 2 Drawing Sheets



(56)

References Cited

U.S. PATENT DOCUMENTS

4,420,902 A * 12/1983 Rayner A01G 9/027
47/39
D296,089 S * 6/1988 Pouliot D11/143
D298,998 S * 12/1988 Hurlstone D8/1
5,036,998 A * 8/1991 Dunn A47G 19/30
220/23.87
D324,191 S * 2/1992 Abare D11/143
D362,405 S * 9/1995 Dallimore D11/143
D384,350 S * 9/1997 Nuevo D14/168
6,219,966 B1 * 4/2001 Lapointe A01G 31/02
47/62 C
D462,295 S * 9/2002 Bates D11/143
D462,441 S * 9/2002 Garner D24/133
D553,121 S * 10/2007 Gondo D14/168
D571,359 S * 6/2008 Chang D14/216
D598,809 S * 8/2009 Smith D11/144
D630,124 S * 1/2011 Connell D11/152
8,971,560 B2 * 3/2015 Lyons H04R 1/026
381/334
2013/0142371 A1 * 6/2013 Martin H04R 1/025
381/333

OTHER PUBLICATIONS

Designbloom—marble iphone amplifier, announced Oct. 2, 2014 [online], [site visited Sep. 5, 2017]. Available from internet, URL: <<https://www.designboom.com/design/ovo-amplifier-monitillo-marmi-carrara-marble-12-02-2014/>>.*
Amplifier, announced Dec. 19, 2016 [online], [site visited Sep. 5, 2017]. Available from internet, URL: <https://www.etsy.com/uk/listing/510578924/boozik-bamboo-iphone-amplifier-otter?ga_order=most_relevant&ga_search_type=all&ga_view_type=gallery&ga_search_query=iphone+amplifier&ref=sc_gallery_5&plkey=5e6d5425c32ad13a1372105812bc59bf8f85d8a2:510578924>.*
An Unpublished photograph taken by Trent A. Harshman of a Double Horn Phone Holder on display at the Ambiente Trade Show, Frankfurt Am Main, Germany in Feb. 2016. Unknown if on sale.
Unpublished photograph taken Apr. 2016 by Trent A. Harshman of a Tubular Phone Amplifier With Plant Holes on display and not for sale at the Canton Fair, Guangzhou, China.

* cited by examiner

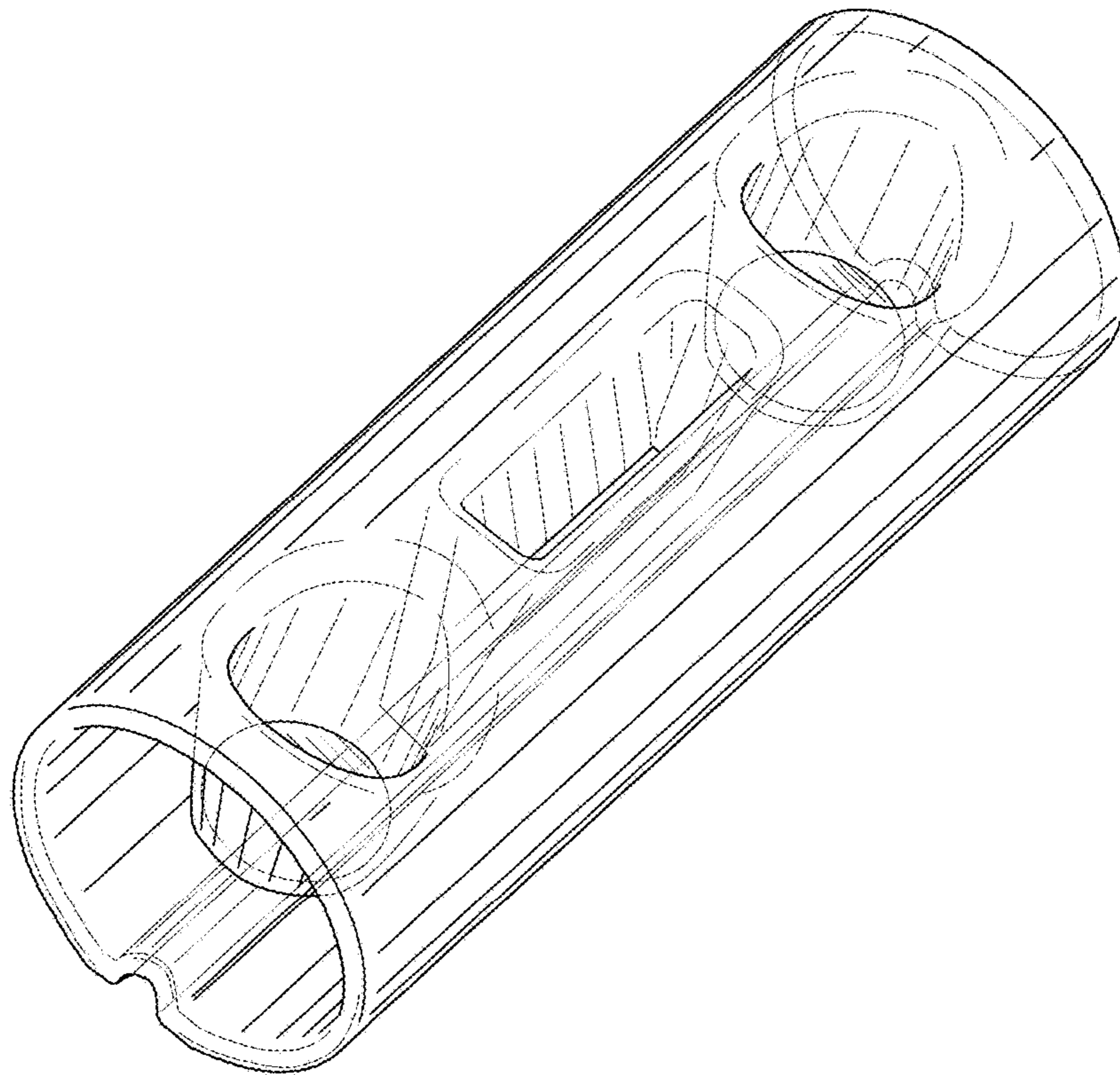


Fig. 1

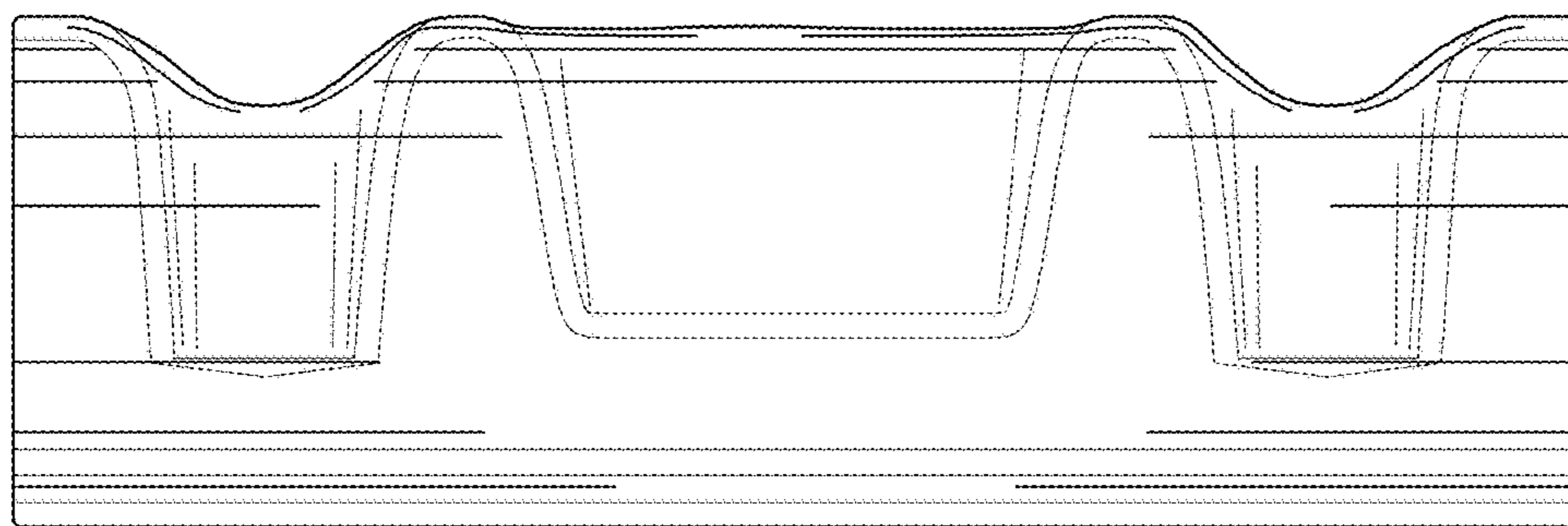


Fig. 2

Fig. 3

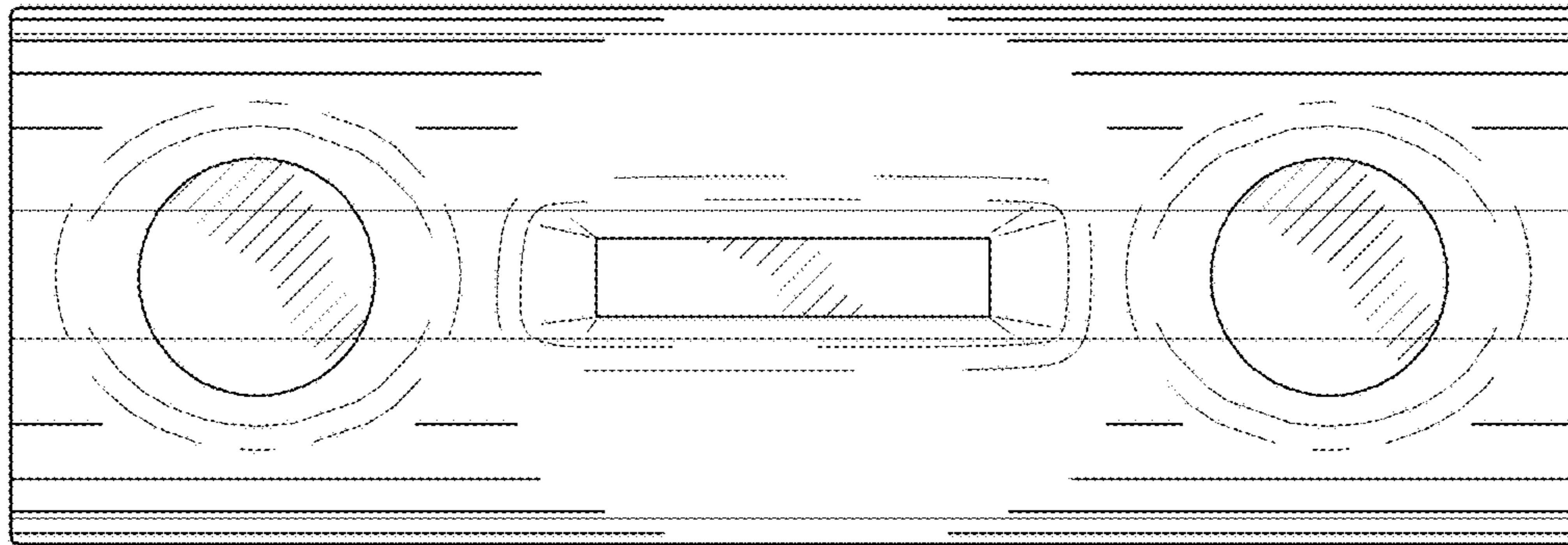
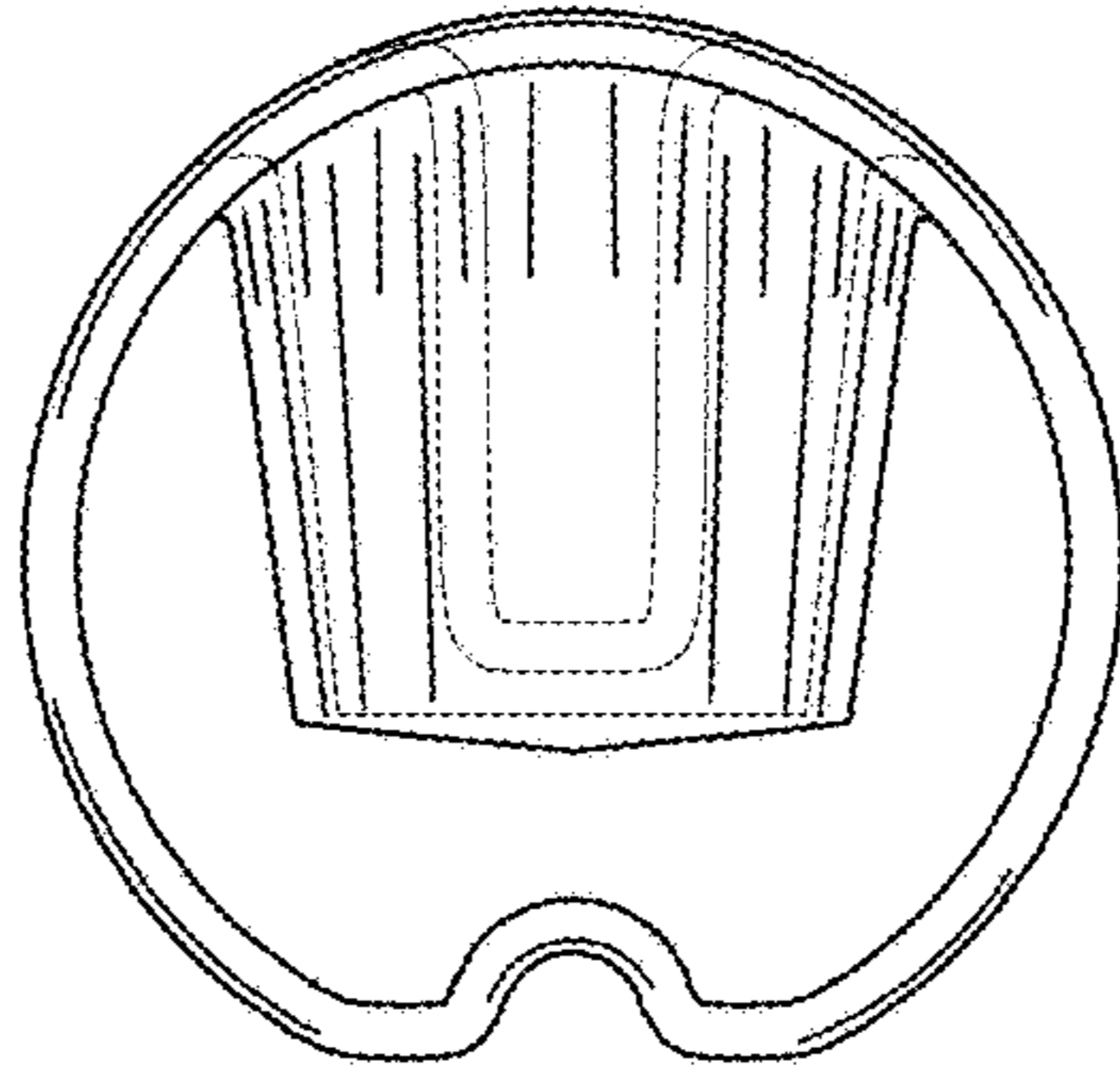


Fig. 4

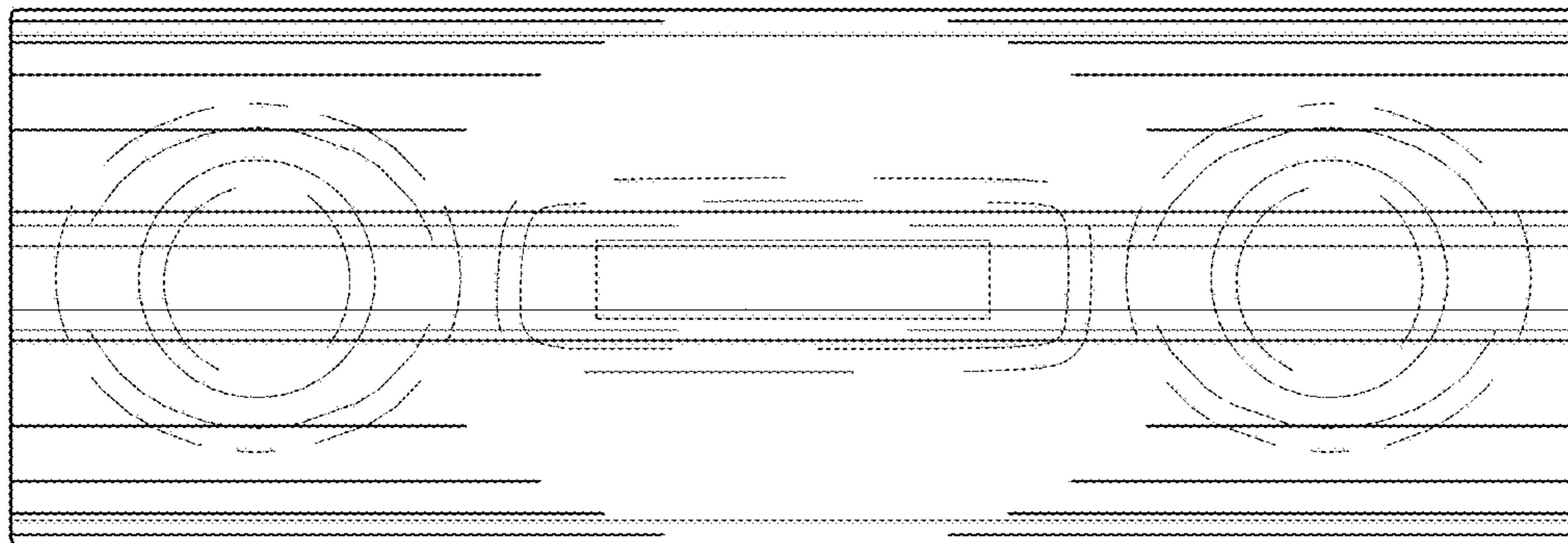


Fig. 5