



US00D809963S

(12) **United States Design Patent**
Mehta

(10) **Patent No.:** **US D809,963 S**

(45) **Date of Patent:** **** Feb. 13, 2018**

(54) **MULTIPLE FACET GEMSTONE**

(71) Applicant: **Rosy Blue (India) Pvt. Ltd.**, Mumbai (IN)

(72) Inventor: **Russell Arunkumar Mehta**, Mumbai (IN)

(73) Assignee: **ROSY BLUE (INDIA) PVT. LTD.**, Mumbai (IN)

(**) Term: **15 Years**

(21) Appl. No.: **29/599,154**

(22) Filed: **Mar. 31, 2017**

(51) **LOC (11) Cl.** **11-01**

(52) **U.S. Cl.**
USPC **D11/89**

(58) **Field of Classification Search**
USPC D11/1-2, 26-29, 89-92; 63/26-28, 32
CPC A44C 17/00; A44C 17/01; A44C 17/005;
A44C 17/007; A44C 17/008
See application file for complete search history.

(56) **References Cited**

U.S. PATENT DOCUMENTS

D493,745 S * 8/2004 Cutshall D11/90
D501,423 S * 2/2005 Tolkowsky D11/90
D520,401 S * 5/2006 Golan D11/90

D522,399 S * 6/2006 Livnat D11/90
D524,187 S * 7/2006 Golan D11/90
D534,093 S * 12/2006 Anastasiadis D11/125
D568,200 S * 5/2008 Chui D11/90
D596,068 S * 7/2009 Peled D11/90
D648,243 S * 11/2011 Schweiger D11/89
D671,859 S * 12/2012 Gersh D11/89
D719,054 S * 12/2014 Lipton D11/89
D726,578 S * 4/2015 Sishodia D11/89
D742,783 S * 11/2015 Shah D11/89
D762,513 S * 8/2016 Berdan D11/89
D763,118 S * 8/2016 Modi D11/89
D801,850 S * 11/2017 Rydlewicz D11/89

* cited by examiner

Primary Examiner — Ralf T Seifert

(74) *Attorney, Agent, or Firm* — Ostrolenk Faber LLP

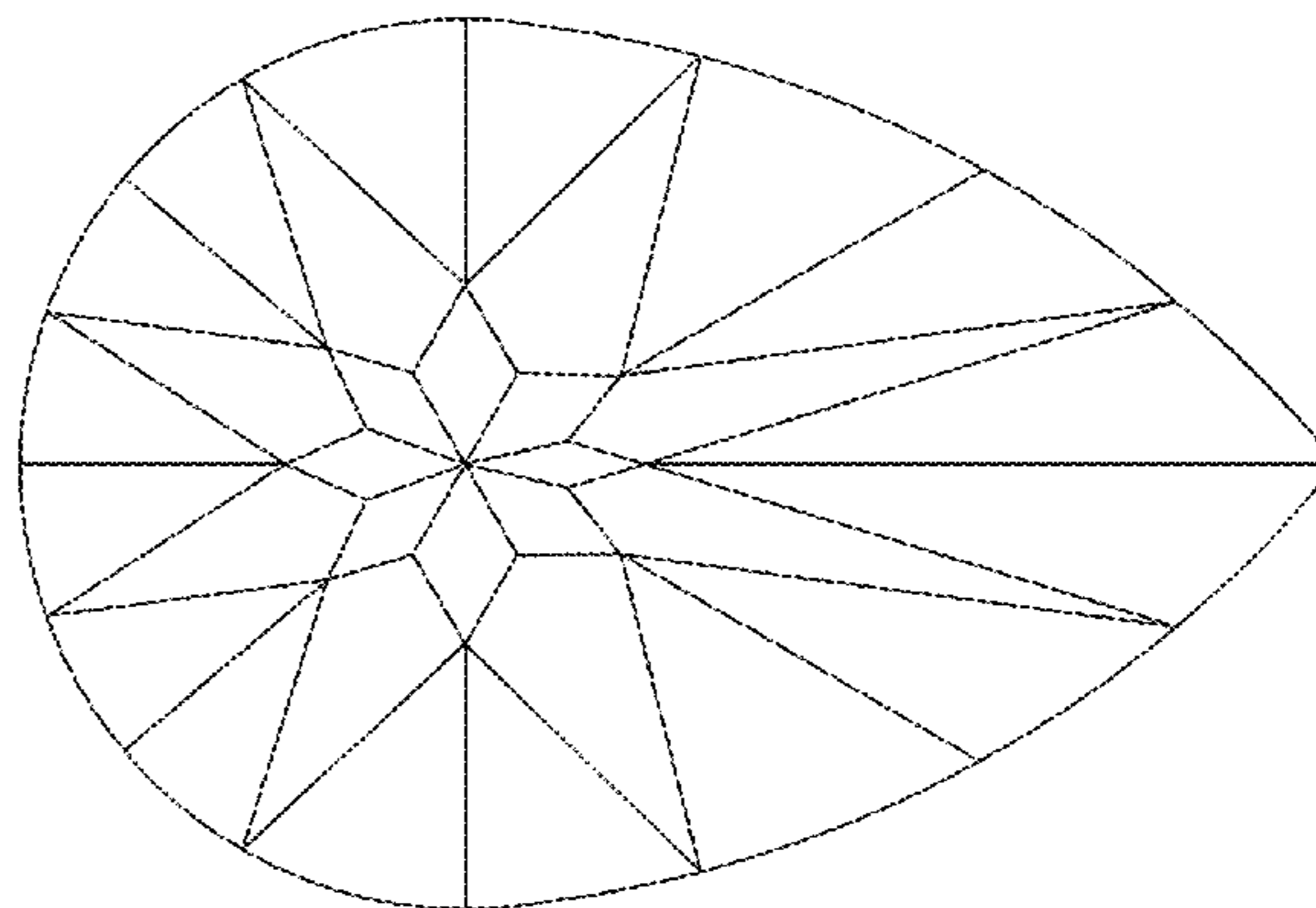
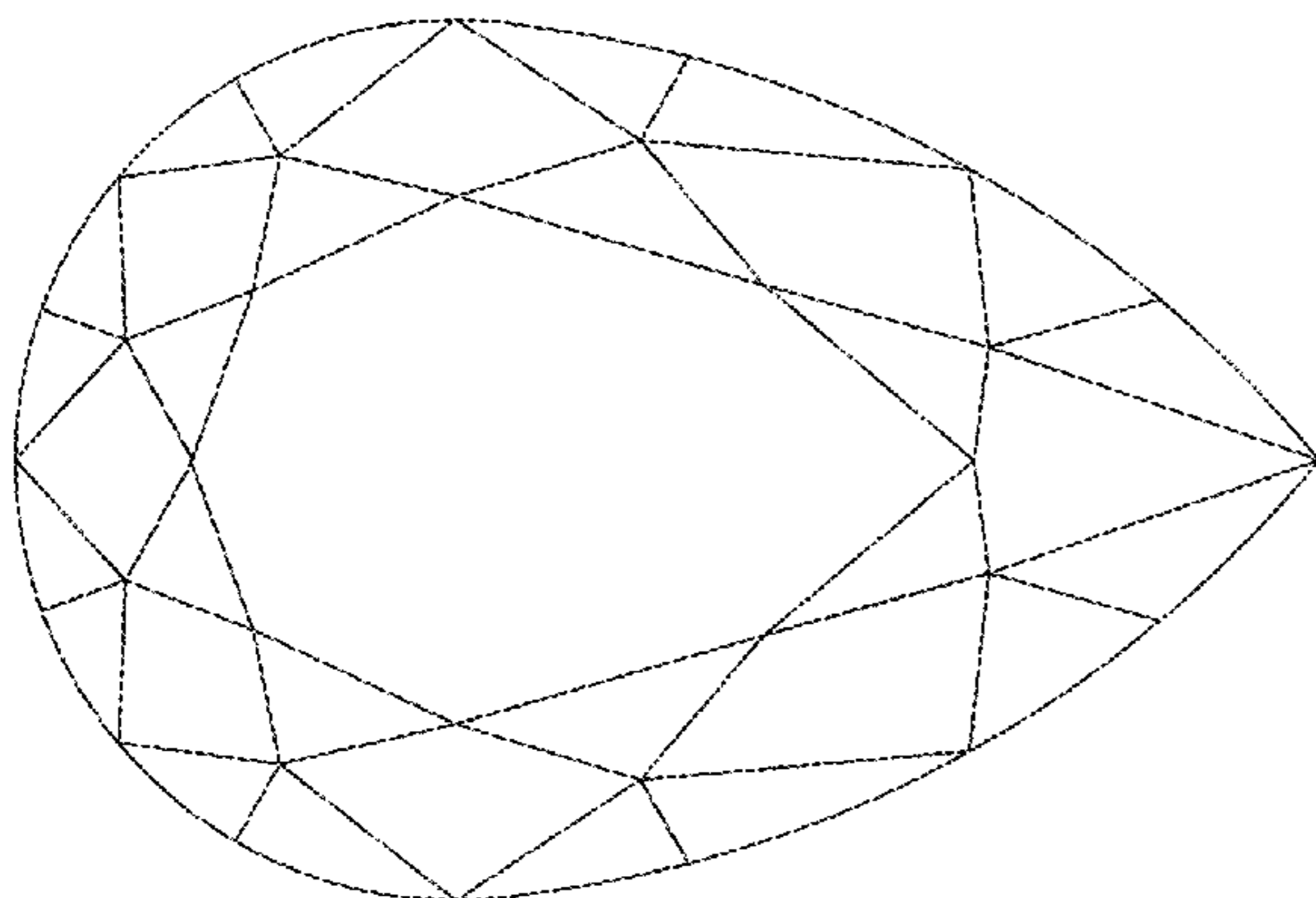
(57) **CLAIM**

The ornamental design for multiple facet gemstone, as shown and described.

DESCRIPTION

FIG. 1 is a side and top perspective view of a multiple facet gemstone showing my new design;
FIG. 2 is a top view thereof;
FIG. 3 is a bottom view thereof;
FIG. 4 is a side view thereof,
FIG. 5 is an opposite side view thereof;
FIG. 6 is a front view thereof; and,
FIG. 7 is a rear view thereof.

1 Claim, 5 Drawing Sheets



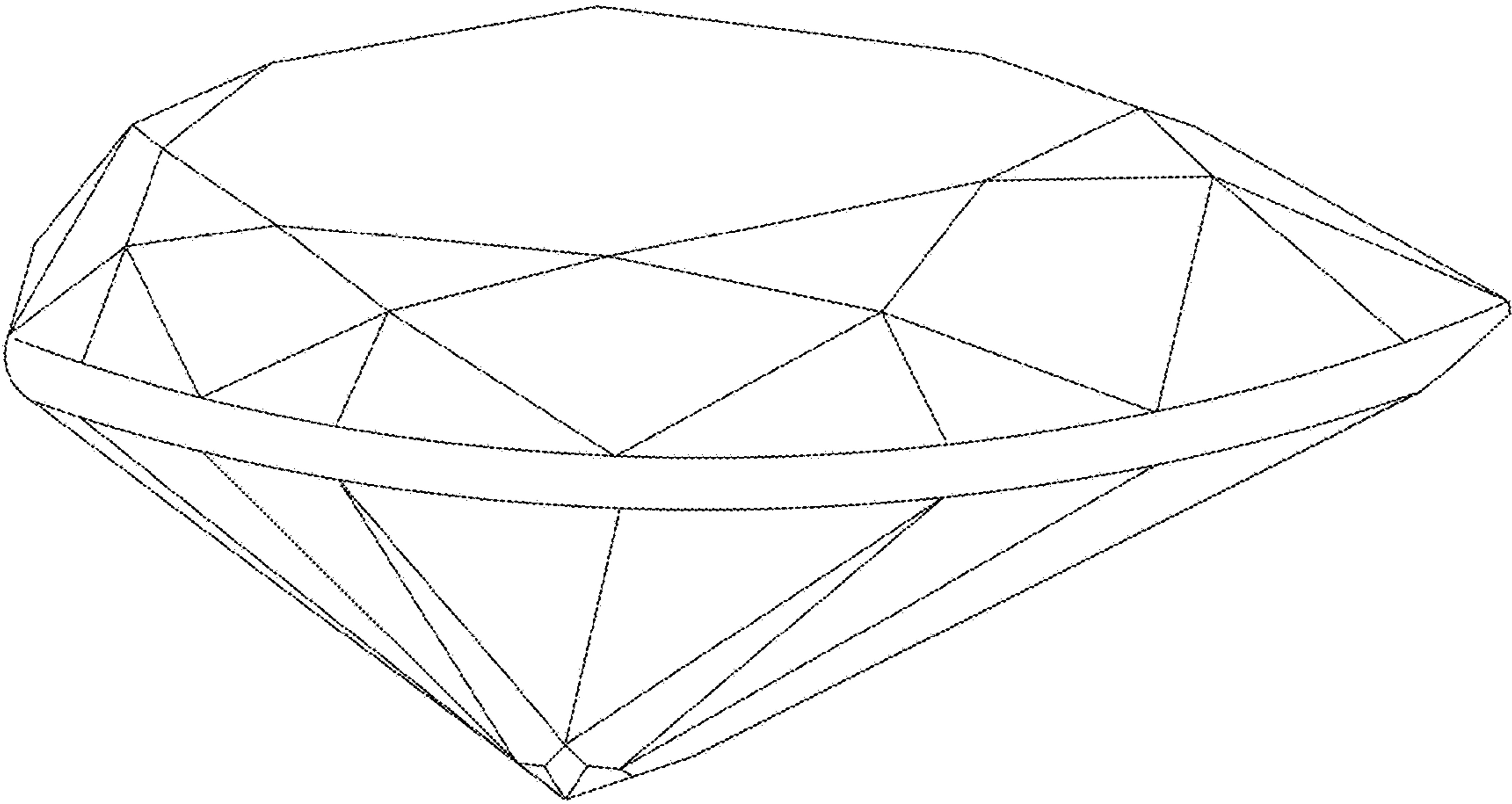


Fig. 1

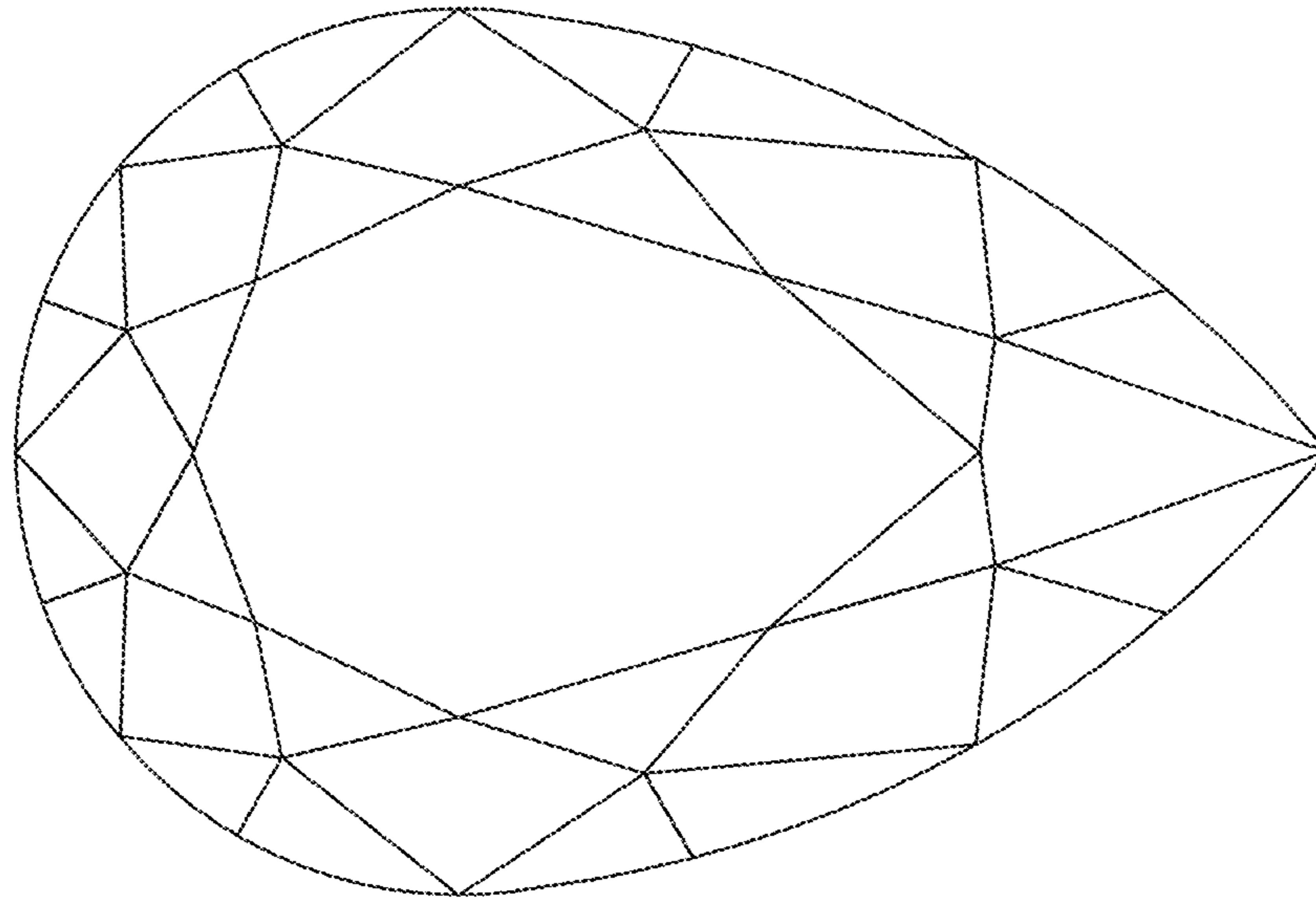


Fig. 2

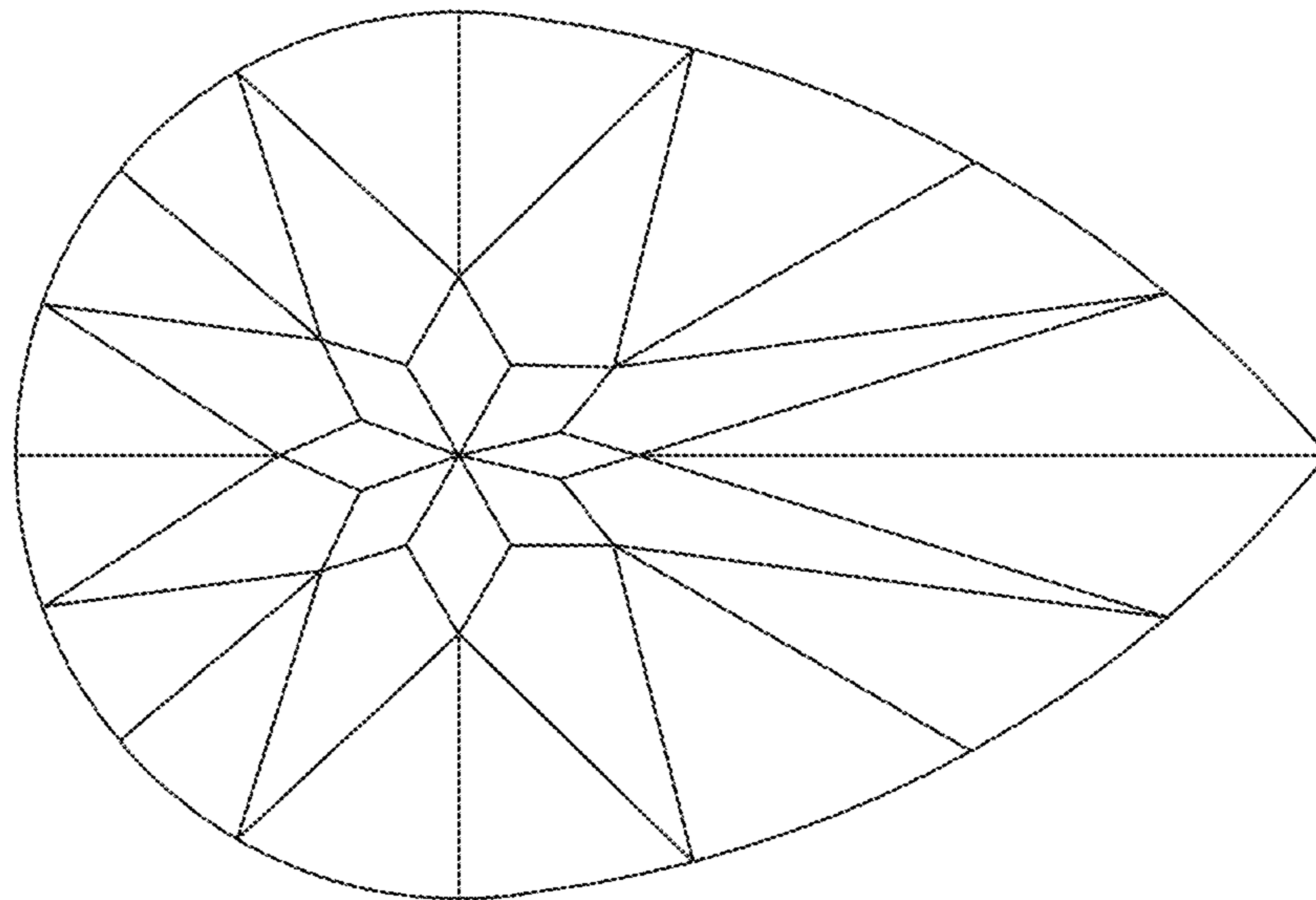


Fig. 3

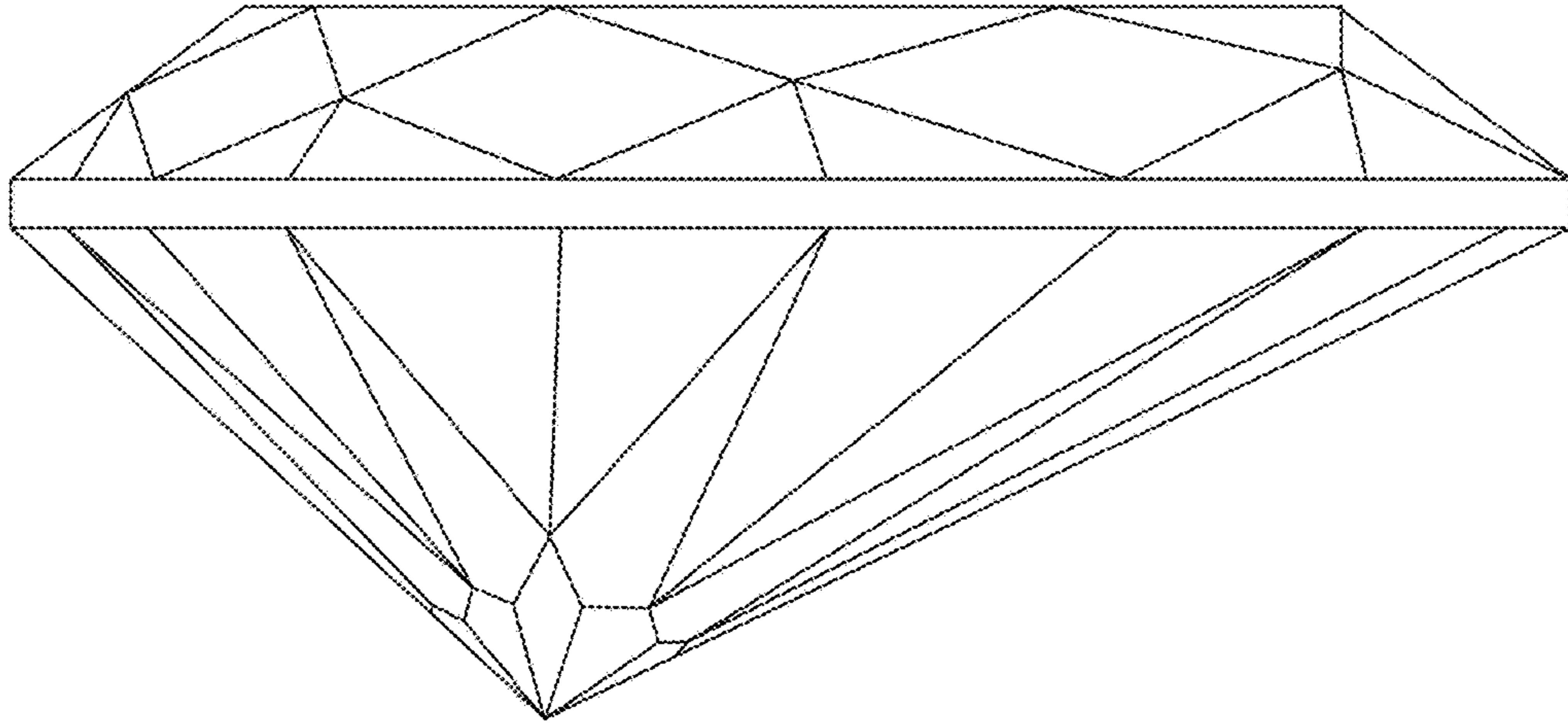


Fig. 4

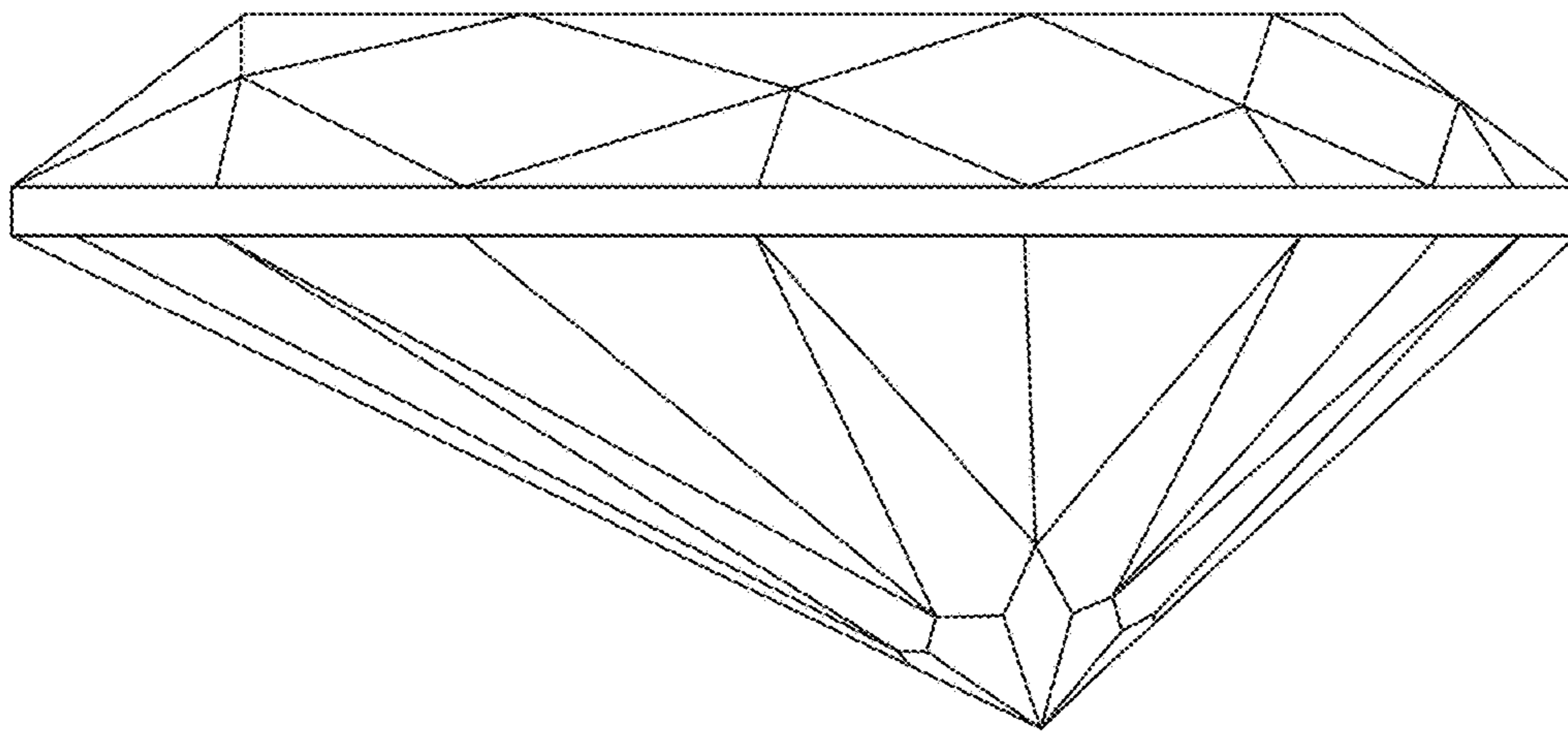


Fig. 5

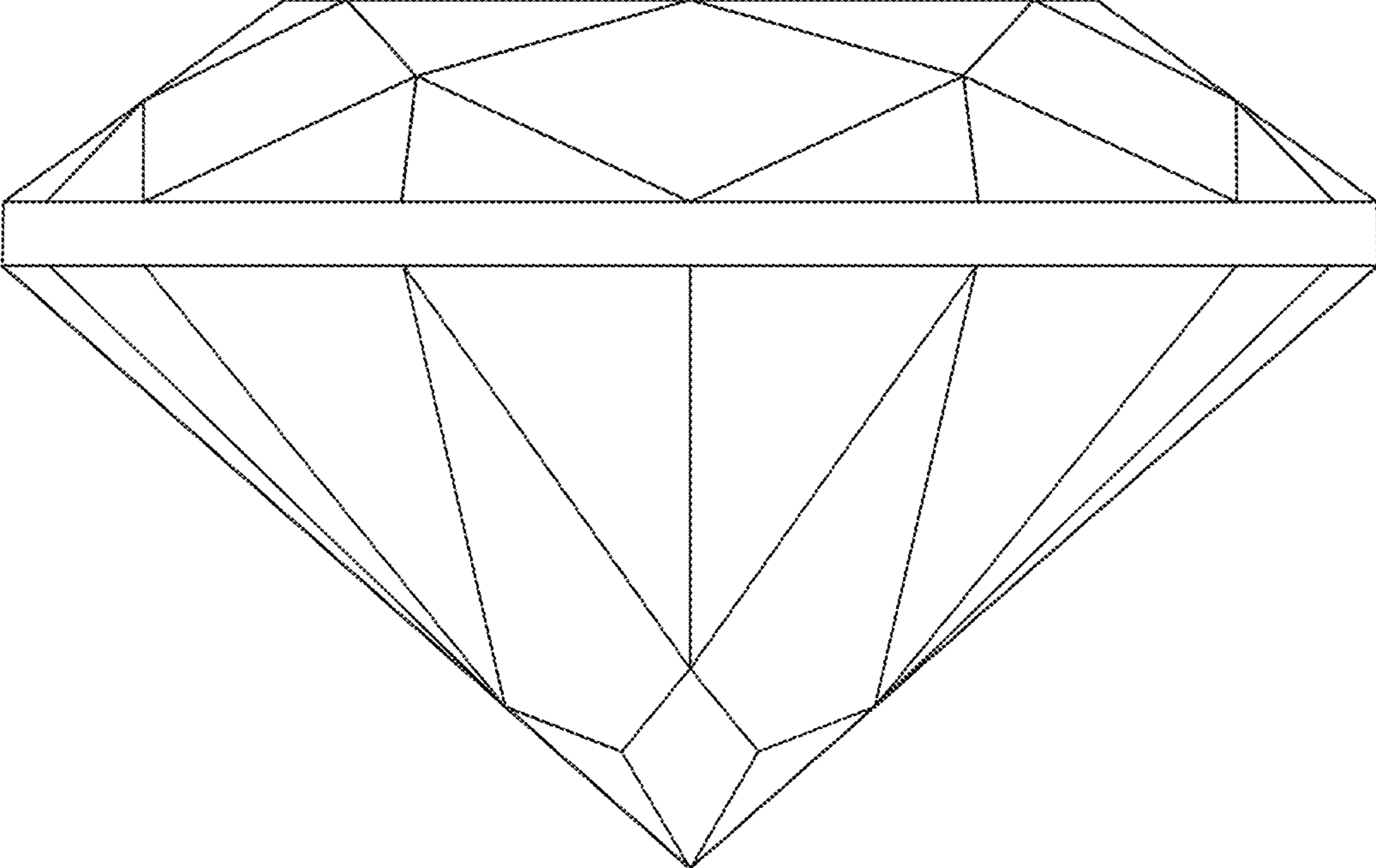


Fig. 6

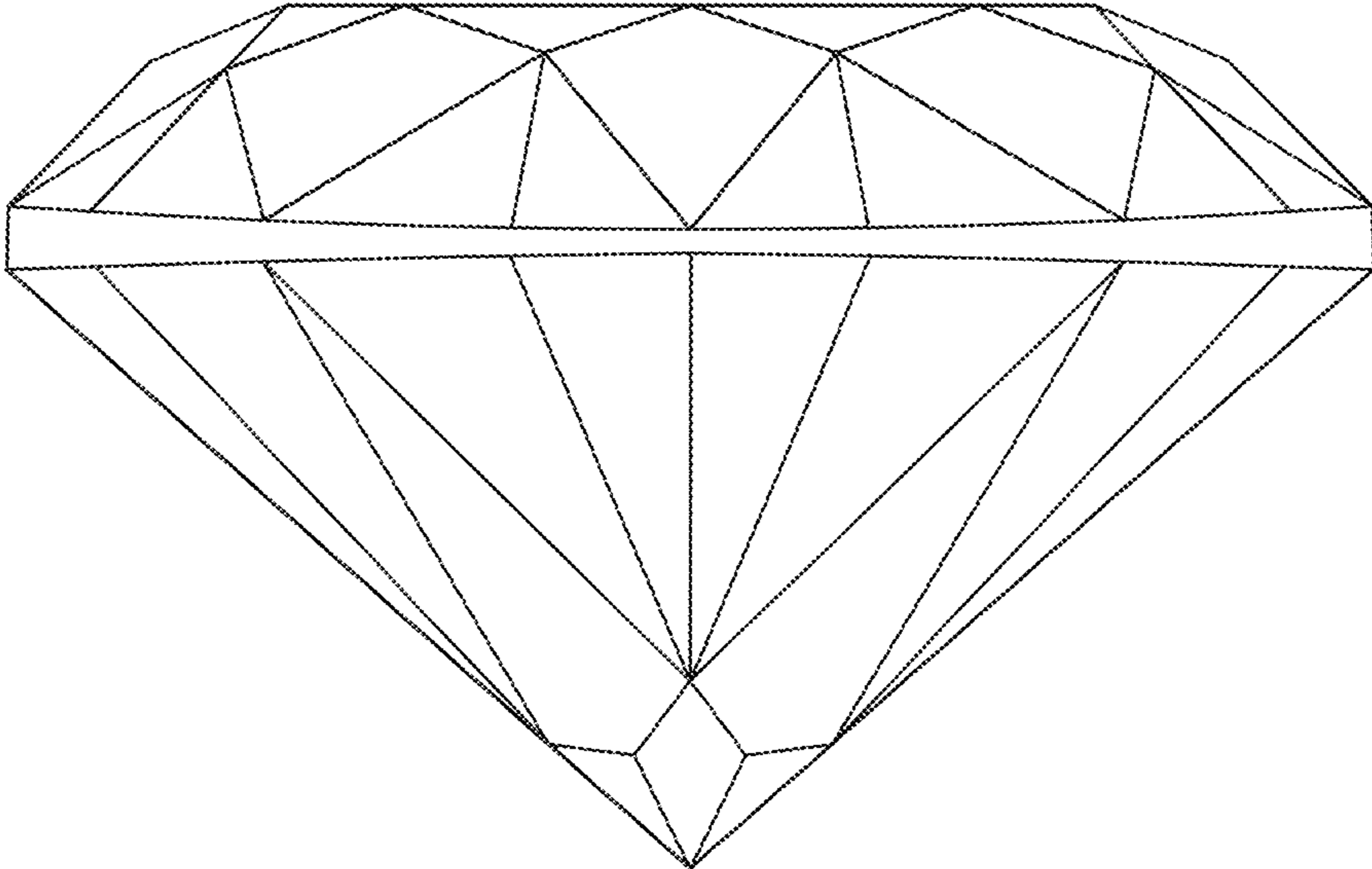


Fig. 7