



US00D809956S

(12) **United States Design Patent** (10) **Patent No.:** **US D809,956 S**
Kornerup et al. (45) **Date of Patent:** **** Feb. 13, 2018**

(54) **BRACELET**

- (71) Applicant: **SHAMBALLA JEWELS ApS**,
København (DK)
- (72) Inventors: **Mads Kornerup**, København (DK);
Mikkel Kornerup, København (DK)
- (73) Assignee: **Shamballa Jewels ApS**, København K
(DK)
- (**) Term: **15 Years**
- (21) Appl. No.: **29/530,947**
- (22) Filed: **Jun. 22, 2015**
- (30) **Foreign Application Priority Data**

Dec. 22, 2014 (EM) 002602979-0001

(51) **LOC (11) Cl.** **11-01**

(52) **U.S. Cl.**
USPC **D11/4**

(58) **Field of Classification Search**
USPC D11/1-46, 56, 77, 79, 80, 86-88
CPC ... A44C 5/0007; A44C 5/0015; A44C 5/0023;
A44C 5/003; A44C 5/0038; A44C
5/0053; A44C 5/0061; A44C 5/0069;
A44C 5/0084; A44C 5/0092; A44C 5/02;
A44C 5/022; A44C 5/025; A44C 5/04;
A44C 5/10; A44C 5/102; A44C 5/105;
A44C 5/107; A44C 5/12; A44C 5/14;
A44C 5/142; A44C 5/18; A44C 5/185;
A44C 5/20; A44C 5/22; A44C 5/2009;
A44C 5/2023; A44C 9/00; A44C 9/0038;
A44C 9/0046; A44C 9/0069; A44C
9/0084; A44C 9/02; A44C 25/00; A44C
25/001; A44C 25/002; A44C 25/004;
A44C 25/005; A44C 25/007

See application file for complete search history.

(56) **References Cited**

U.S. PATENT DOCUMENTS

D39,035	S	*	1/1908	Mitchell	D11/5
D76,857	S	*	11/1928	Dubassoff	D10/32
D135,259	S	*	3/1943	Pereira	D11/27
D160,577	S	*	10/1950	Cohen	D11/29
D186,818	S	*	12/1959	Gale	D10/32
4,282,721	A	*	8/1981	Roach	A44C 7/00 63/14.1
6,053,009	A	*	4/2000	Broggian	A44C 5/2076 63/4
D454,314	S	*	3/2002	Stewart	D11/27
6,401,488	B1	*	6/2002	Cousin	F25J 1/0022 62/623
D525,553	S	*	7/2006	Toupet	D11/5
D567,110	S	*	4/2008	Pardoux	D10/32
2012/0214380	A1	*	8/2012	Vine, III	A44C 5/0084 446/121

* cited by examiner

Primary Examiner — Cynthia Ramirez

Assistant Examiner — Llorellys Martinez-Rivera

(74) *Attorney, Agent, or Firm* — Dykema Gossett PLLC

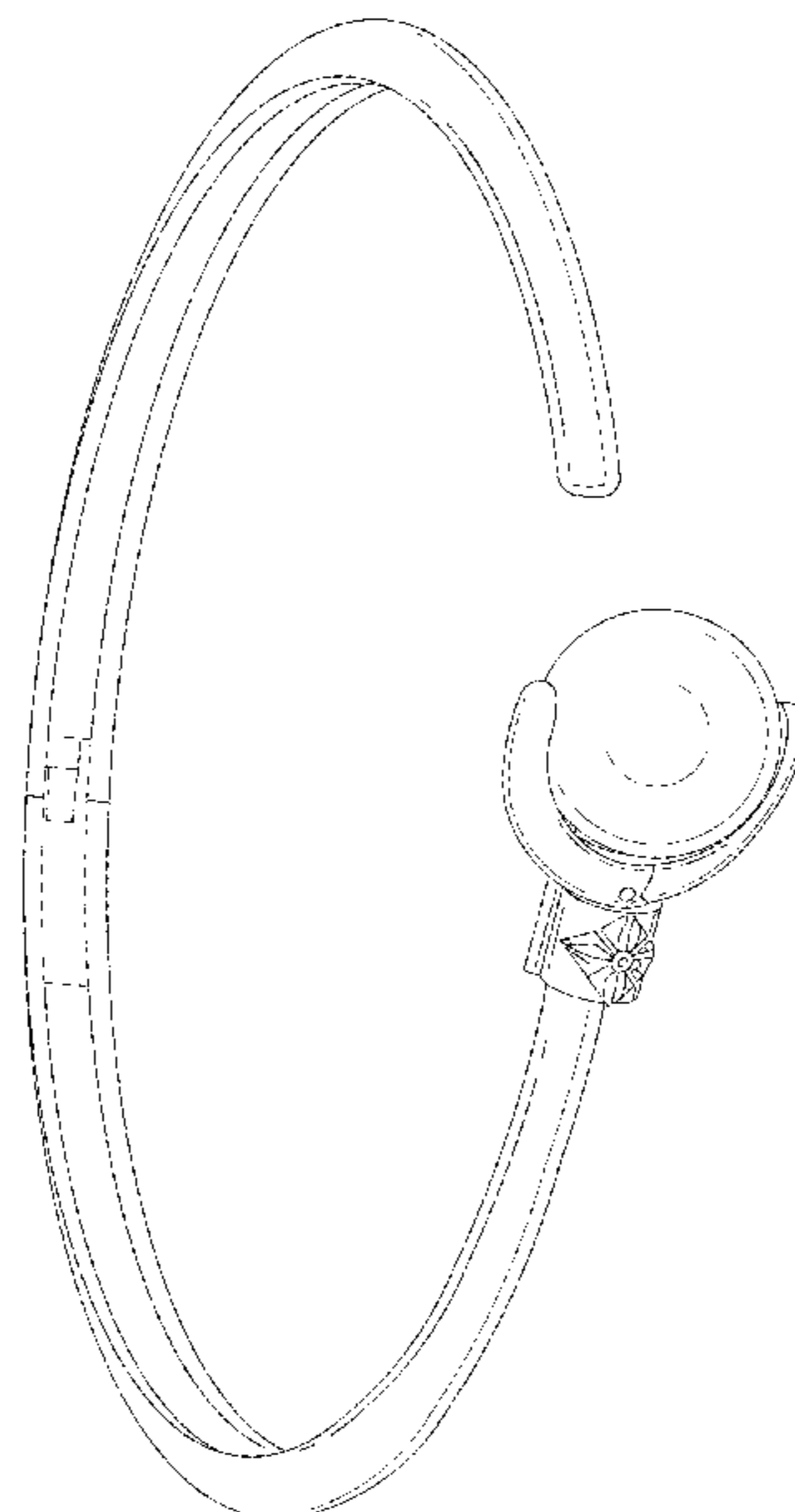
(57) **CLAIM**

The ornamental design for a bracelet, as shown and described.

DESCRIPTION

FIG. 1 is a perspective view of a bracelet showing our new design;
FIG. 2 is a top plan view thereof;
FIG. 3 is another perspective view thereof;
FIG. 4 is a side elevational view thereof; and,
FIG. 5 is a front elevational view thereof.
The broken lines shown in FIGS. 1 and 3 represent portions of the bracelet that form no part of the claimed design.

1 Claim, 5 Drawing Sheets



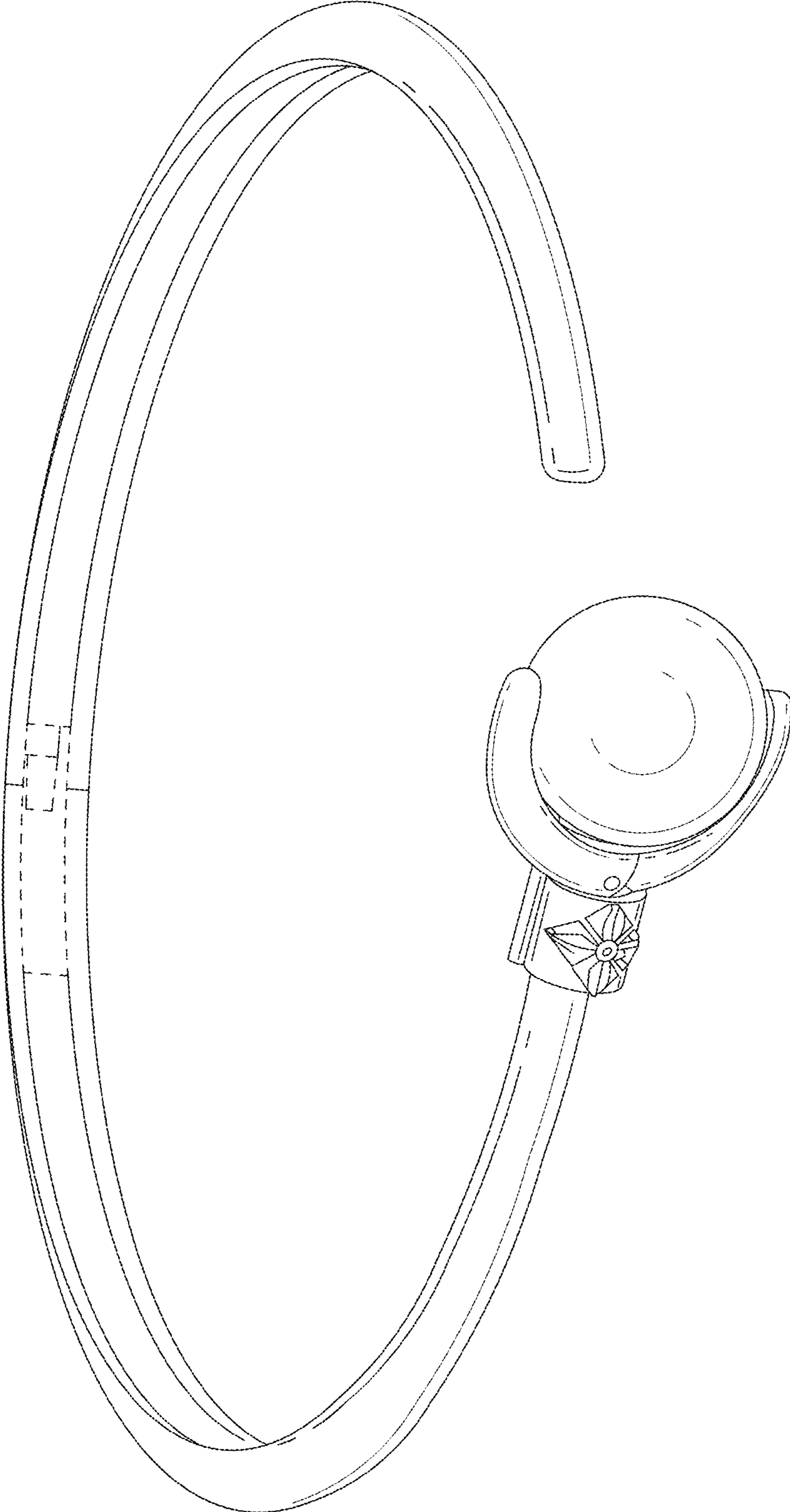


FIG. 1

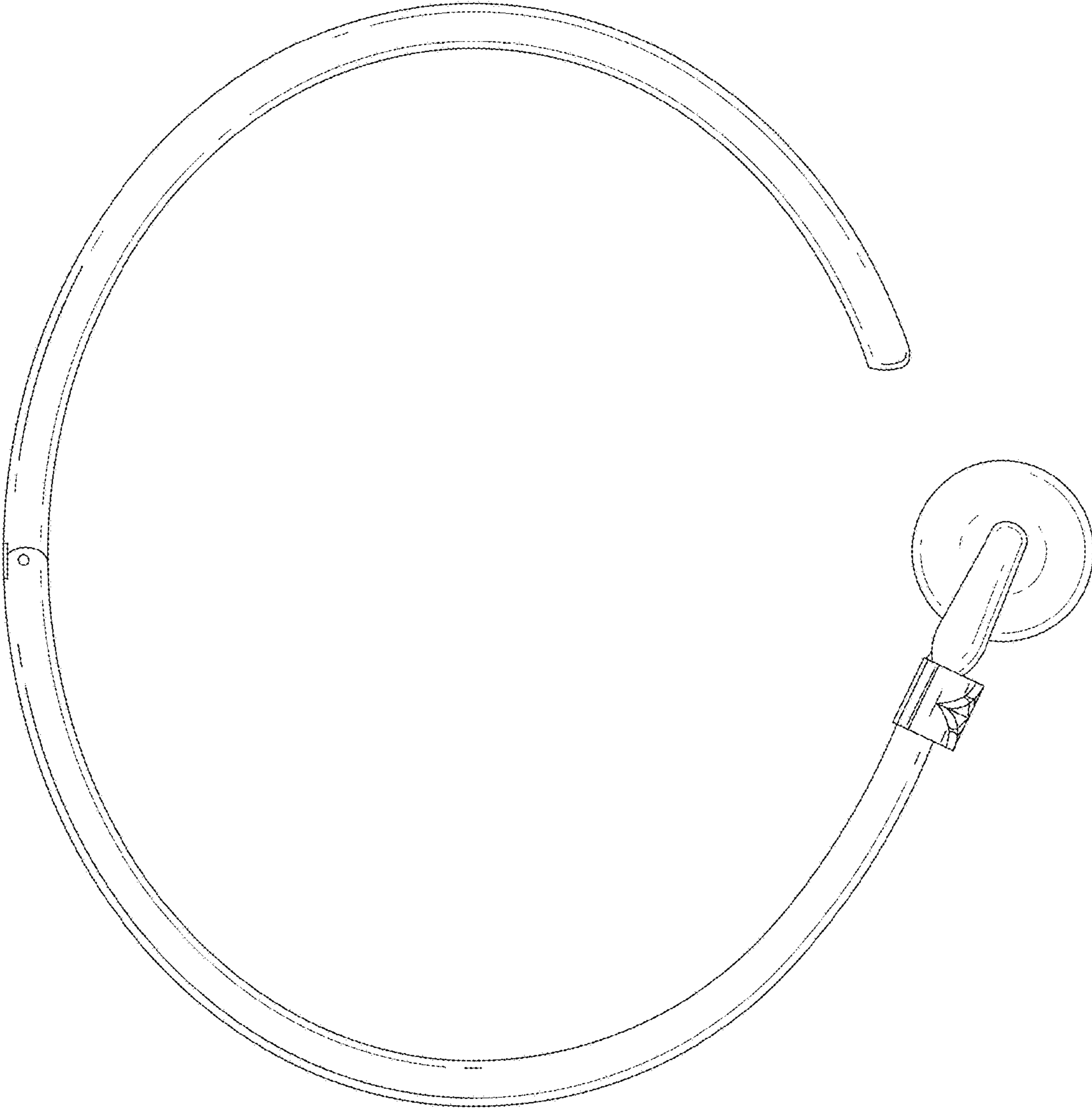


FIG. 2

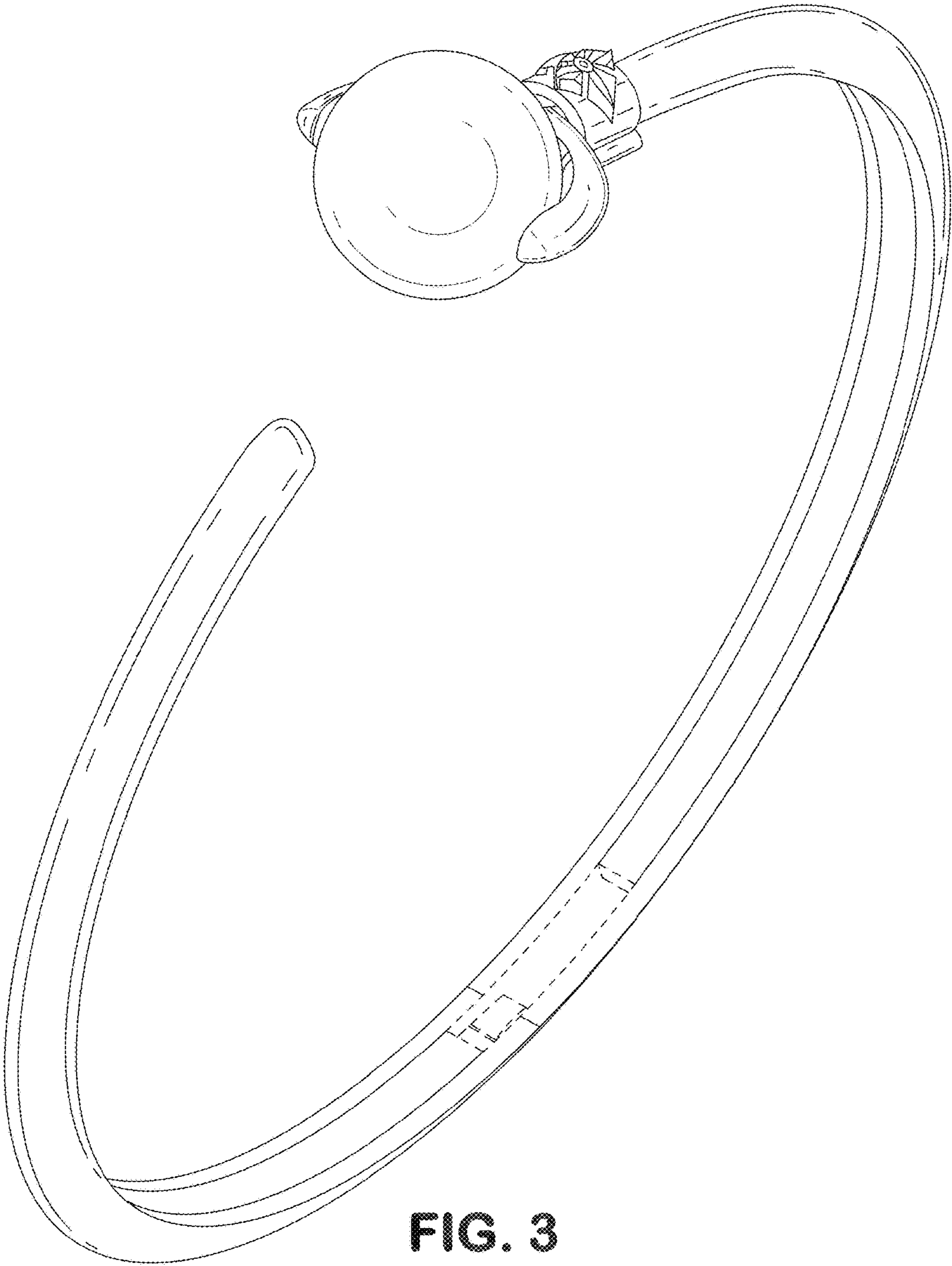


FIG. 3

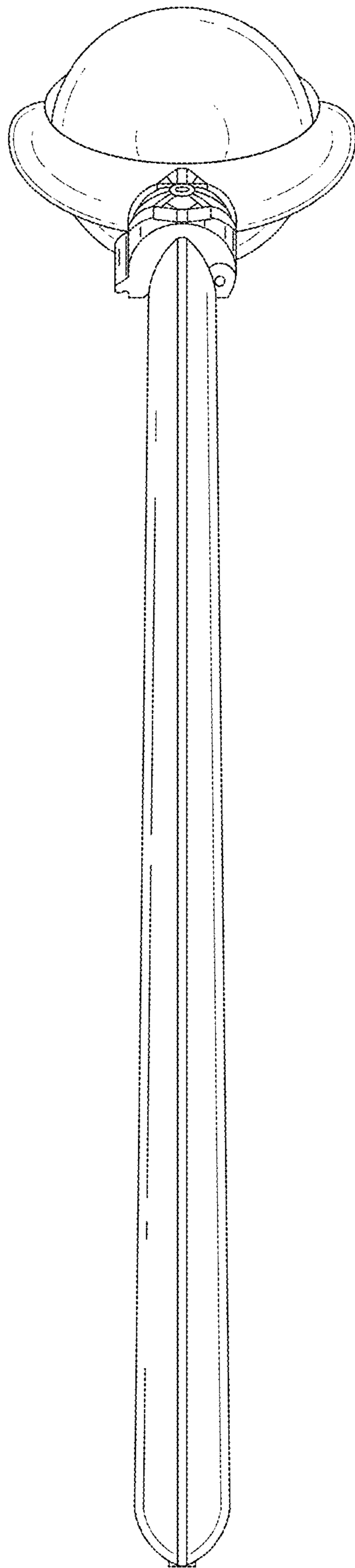


FIG. 4

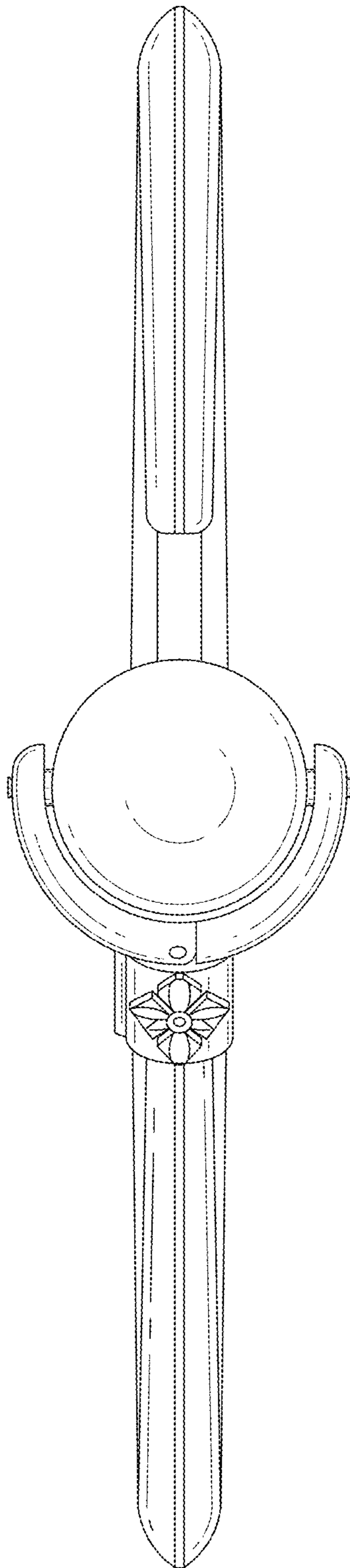


FIG. 5