



US00D809954S

(12) **United States Design Patent**  
**Gilmore et al.**

(10) **Patent No.:** **US D809,954 S**  
(45) **Date of Patent:** **\*\* Feb. 13, 2018**

(54) **ON-HAND ATTACHMENT BAND**  
(71) Applicant: **EdgeGear, Inc.**, Carlsbad, CA (US)  
(72) Inventors: **James Gilmore**, Carlsbad, CA (US);  
**Andrew Green**, Oslo (NO); **Ian Sandmael**, Lysaker (NO); **Simen Aarseth**, Oslo (NO); **Paul Daniel**, Oslo (NO)

D338,168 S \* 8/1993 Ginter ..... D11/2  
D373,018 S \* 8/1996 Alberti ..... D3/218  
D384,200 S \* 9/1997 Caldwell ..... D14/192  
6,392,962 B1 \* 5/2002 Wyatt ..... G04F 8/08  
368/107  
6,519,207 B1 2/2003 Lukacsko  
7,959,351 B1 \* 6/2011 Thorpe ..... A41D 19/0027  
224/164  
D657,134 S \* 4/2012 Tepper ..... A45F 5/00  
D3/215

(Continued)

(73) Assignee: **EdgeGear, Inc.**, Carlsbad, CA (US)

(\*\*) Term: **15 Years**

(21) Appl. No.: **29/549,262**

(22) Filed: **Dec. 21, 2015**

(51) **LOC (11) Cl.** ..... **11-01**

(52) **U.S. Cl.**  
USPC ..... **D11/3**

(58) **Field of Classification Search**  
USPC ..... D11/1-26; D10/70, 98, 30, 31, 32, 38,  
D10/39; D24/167; D14/344; D3/215,  
D3/218  
CPC ..... A44C 5/00; A44C 5/007; A44C 5/0015;  
A44C 5/0023; A44C 5/003; A44C  
5/0038; A44C 5/0053; A44C 5/0061;  
A44C 5/0069; A44C 5/0076; A44C  
5/0084; A44C 5/0092; A44C 5/20; A61B  
5/02405

See application file for complete search history.

(56) **References Cited**

**U.S. PATENT DOCUMENTS**

552,171 A 12/1895 Farnham  
2,926,825 A \* 3/1960 Wing ..... A44C 5/00  
224/164  
4,060,185 A 11/1977 Kuroda  
4,681,462 A \* 7/1987 Lloyd ..... G04B 37/1486  
224/164  
D300,910 S \* 5/1989 Buford ..... D11/2  
4,993,004 A 2/1991 Loizeaux

**OTHER PUBLICATIONS**

[Online] "Today's Torrent of Info Demands Radical Repositioning of the Watch" <https://www.psfk.com/2015/10/smartwatch-strap-edgegear-shift.html>. Posted online Oct. 29, 2015. Retrieved Sep. 28, 2017.\*

*Primary Examiner* — Melanie Pellegrini

(74) *Attorney, Agent, or Firm* — Knobbe Martens Olson & Bear LLP

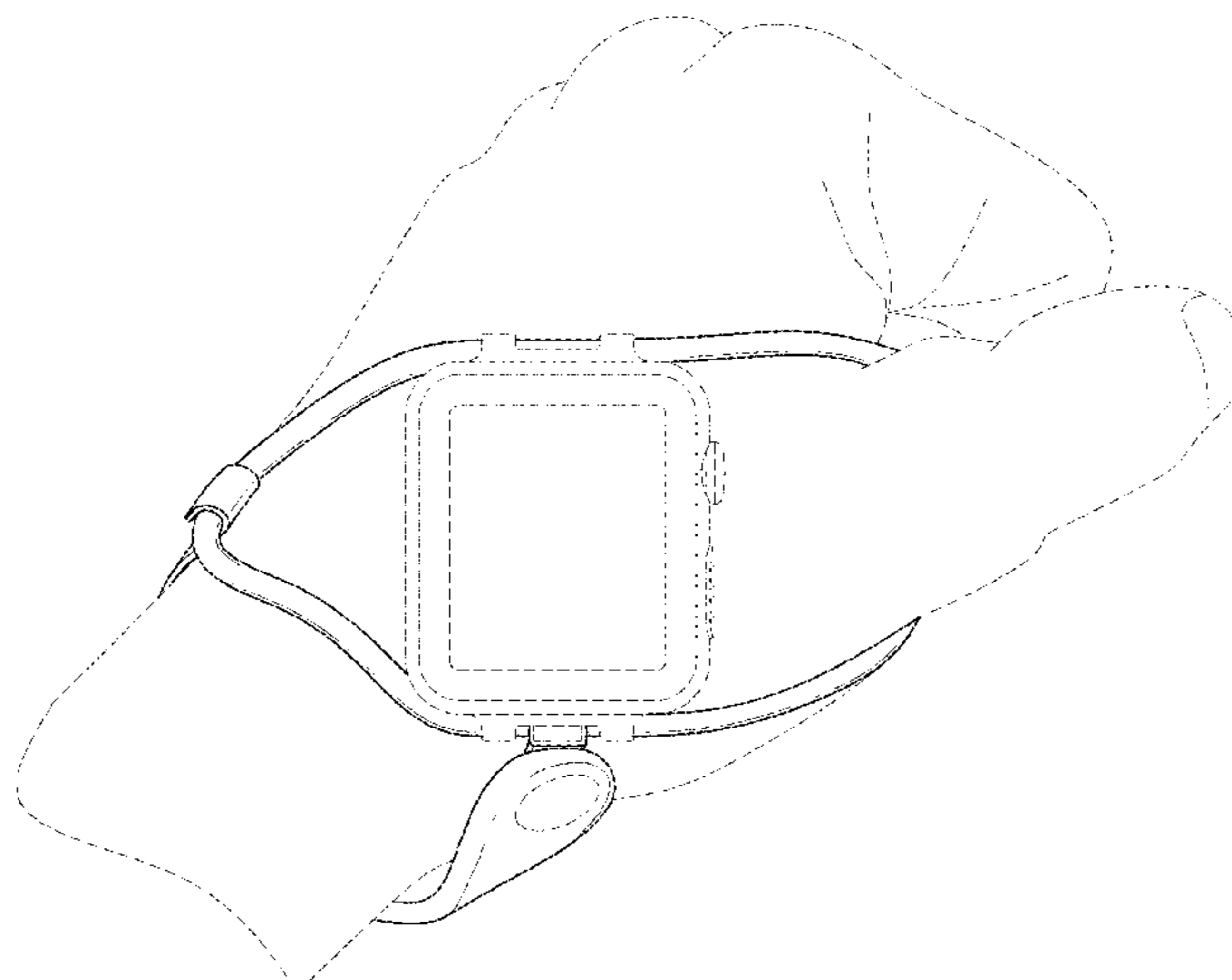
(57) **CLAIM**

The ornamental design for an on-hand attachment band, as shown and described.

**DESCRIPTION**

FIG. 1 is a top perspective view of an on-hand attachment band shown in an environment of use;  
FIG. 2 is a top and front perspective view thereof;  
FIG. 3 is a top plan view thereof;  
FIG. 4 is a bottom plan view thereof;  
FIG. 5 is a front elevational view thereof;  
FIG. 6 is a rear elevational view thereof;  
FIG. 7 is a right side elevational view thereof; and,  
FIG. 8 is a left side elevational view thereof.  
The broken lines showing a hand in FIG. 1 represent environment. The remaining evenly spaced broken lines shown in FIGS. 1-8 illustrate portions of the on-hand attachment band which form no part of the claimed design.

**1 Claim, 8 Drawing Sheets**



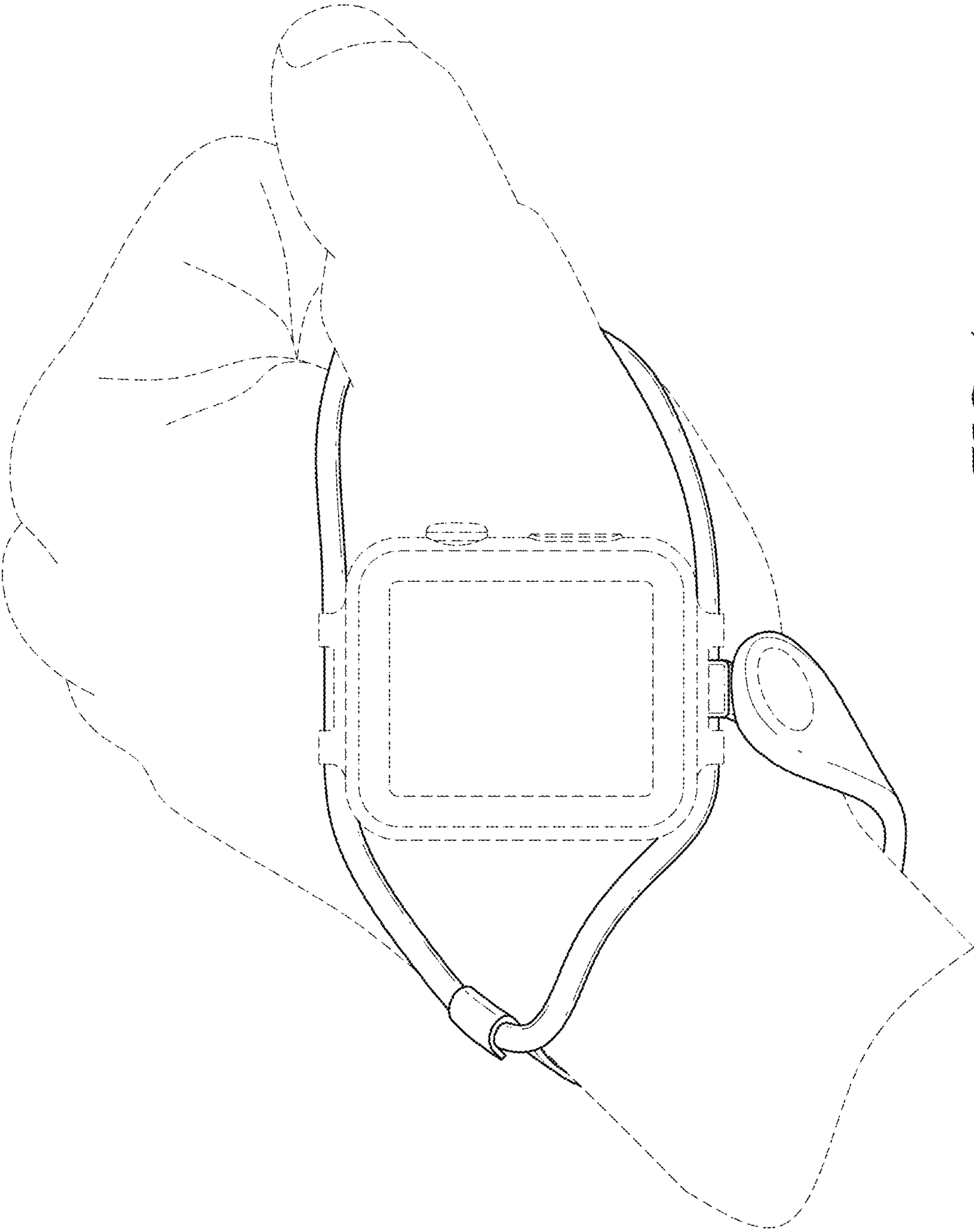
(56)

**References Cited**

U.S. PATENT DOCUMENTS

8,475,035	B1	7/2013	Harrington	
8,714,422	B2 *	5/2014	Yu .....	A45F 5/00 224/197
8,783,533	B1 *	7/2014	Marseille .....	A45F 5/00 224/197
D747,226	S *	1/2016	Kuang .....	D10/70
D763,568	S *	8/2016	Singhal .....	D3/218
2006/0126446	A1 *	6/2006	Martens .....	G04B 37/1433 368/282
2010/0177604	A1 *	7/2010	Ginter .....	A44C 5/0015 368/282
2011/0007468	A1	1/2011	Burton et al.	
2016/0183390	A1	6/2016	Yang et al.	

\* cited by examiner



*FIG. 1*

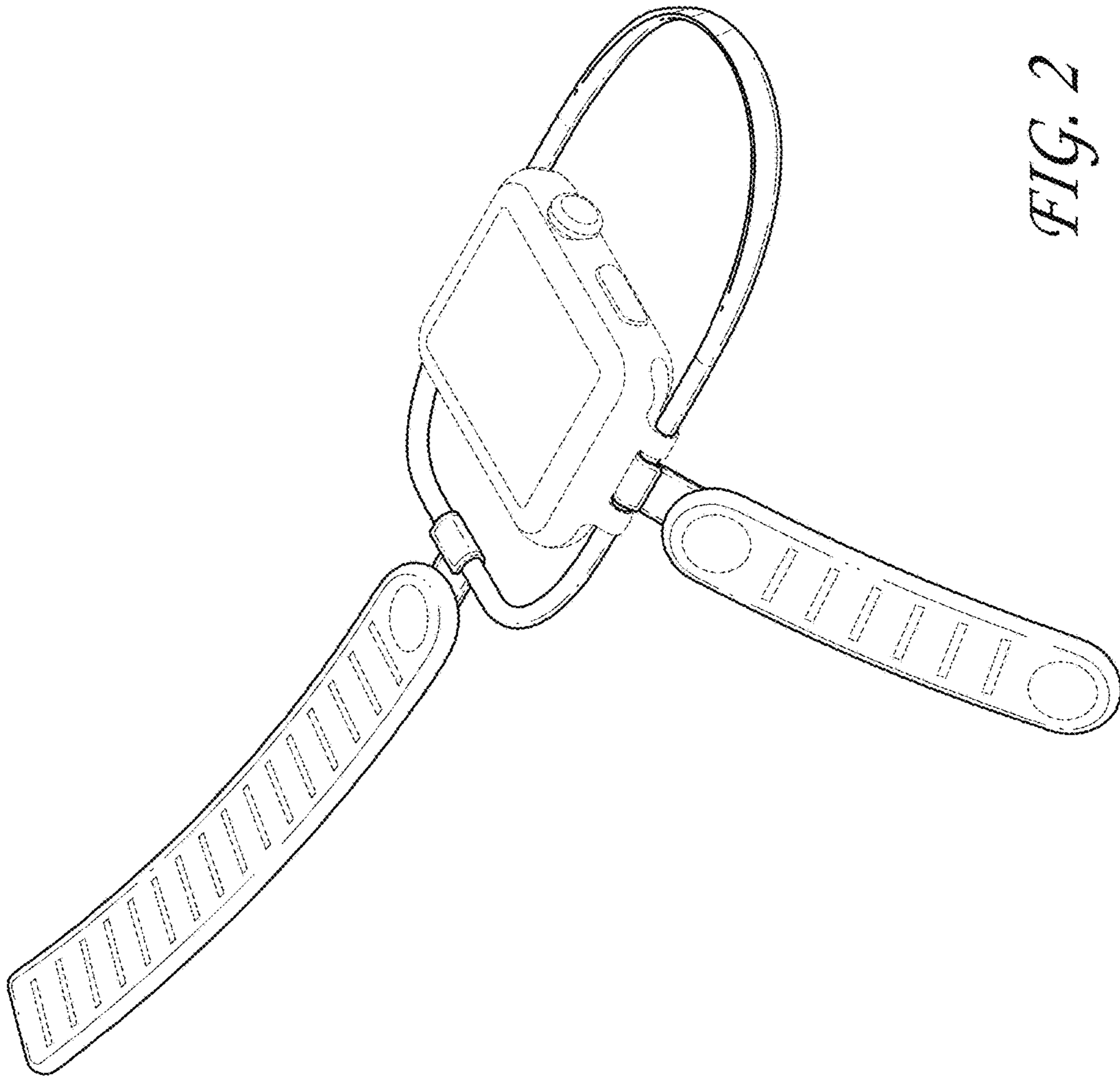


FIG. 2

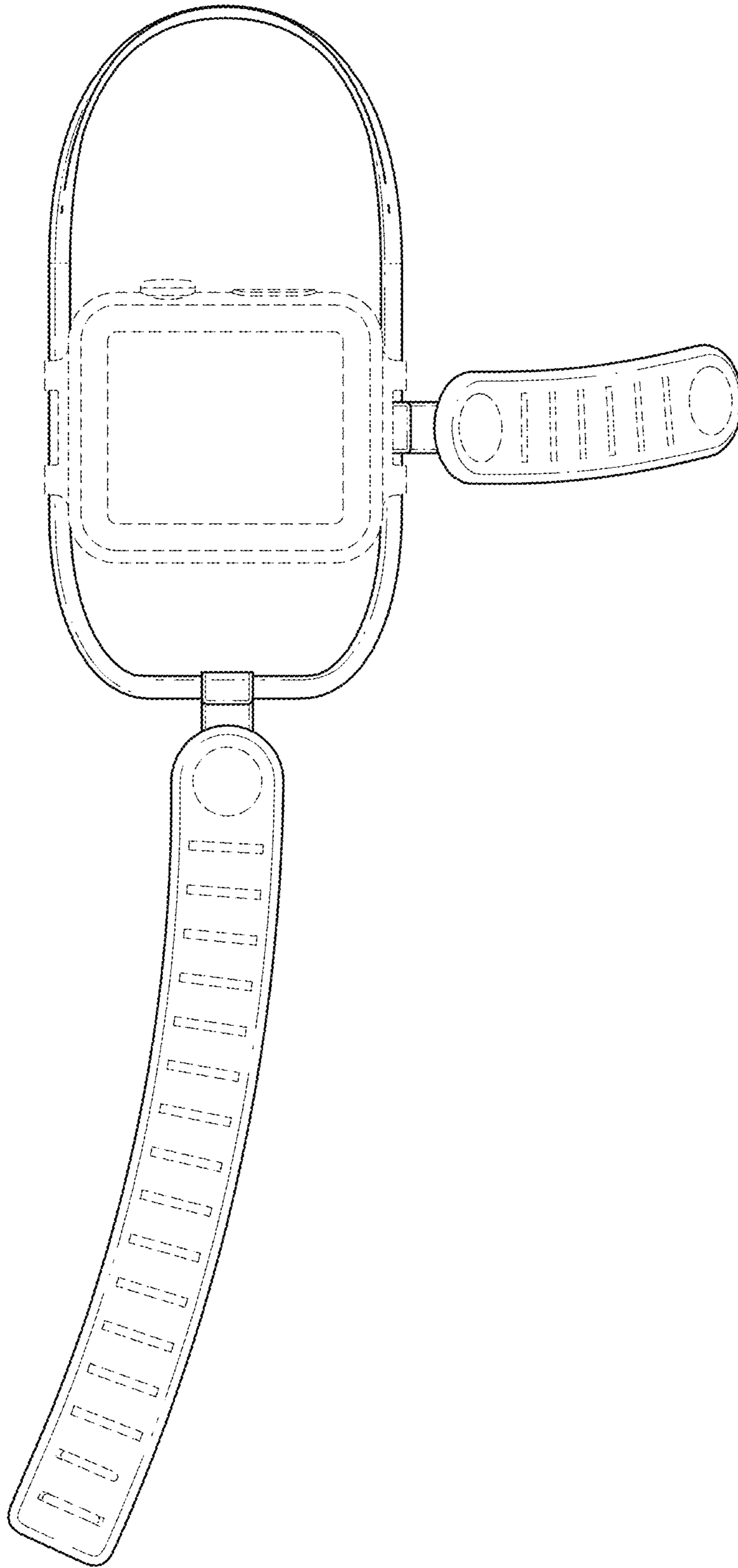
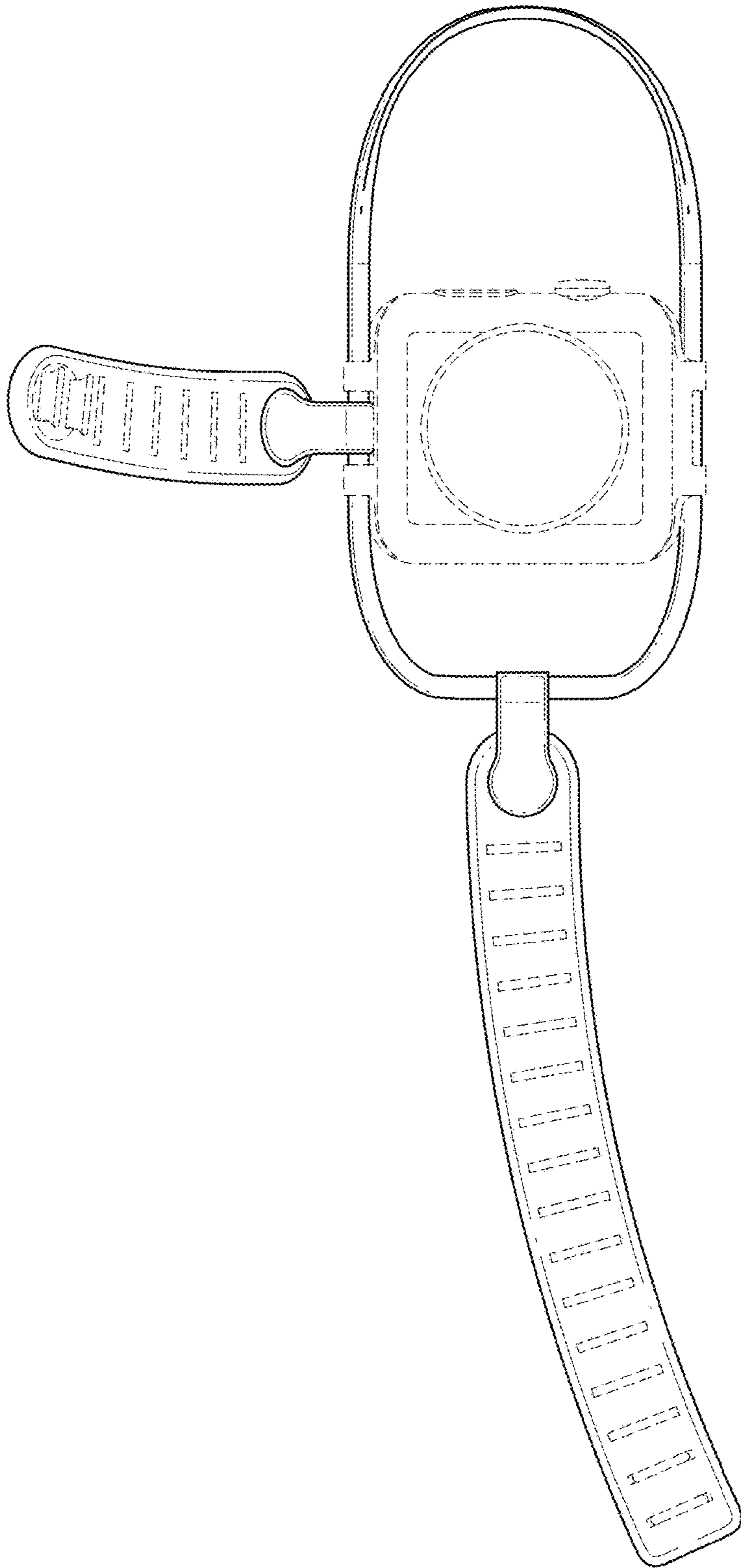


FIG. 3



*FIG. 4*



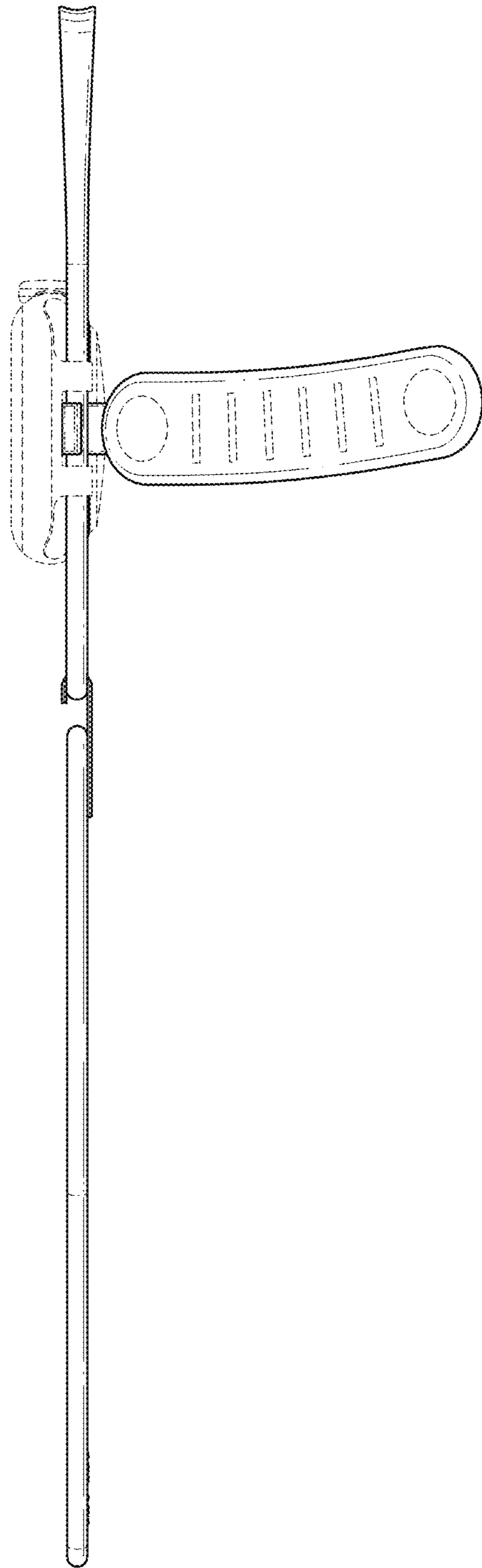
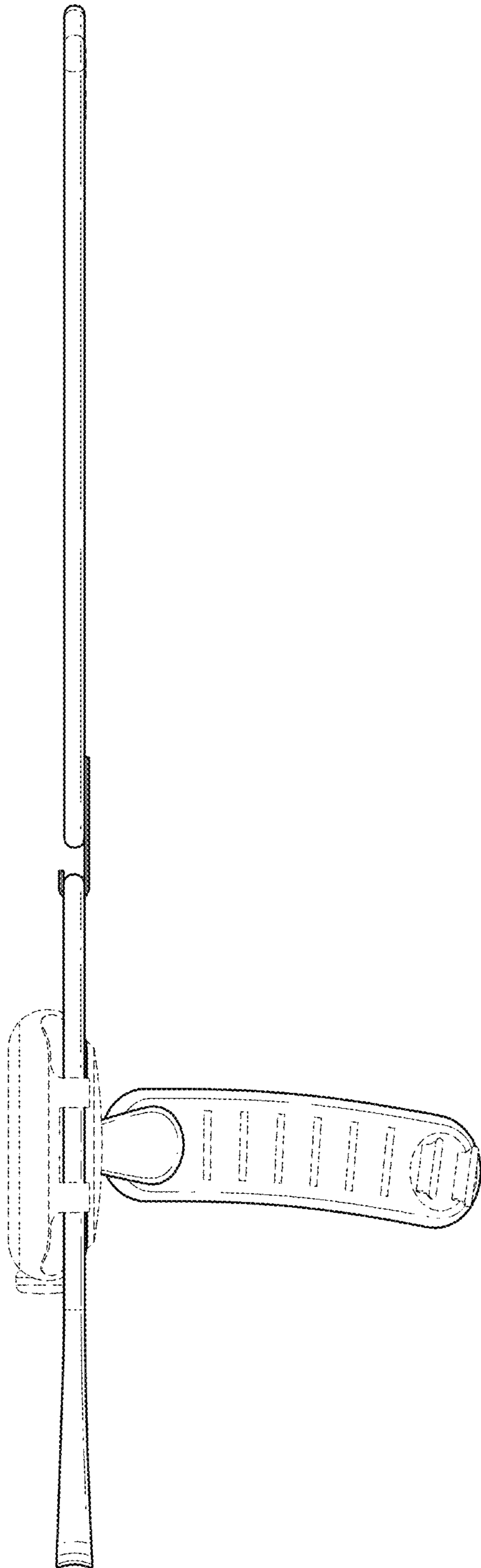
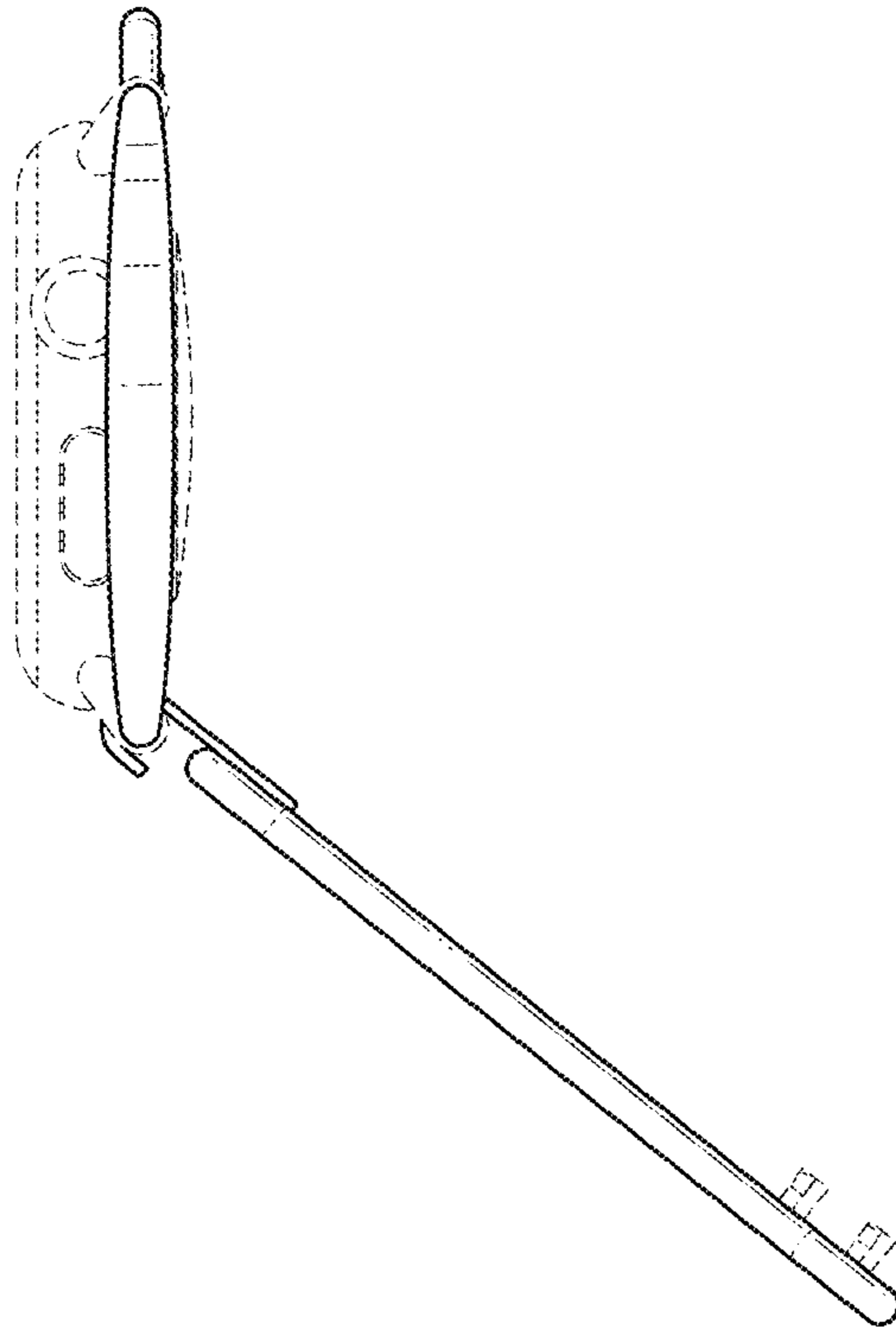


FIG. 5

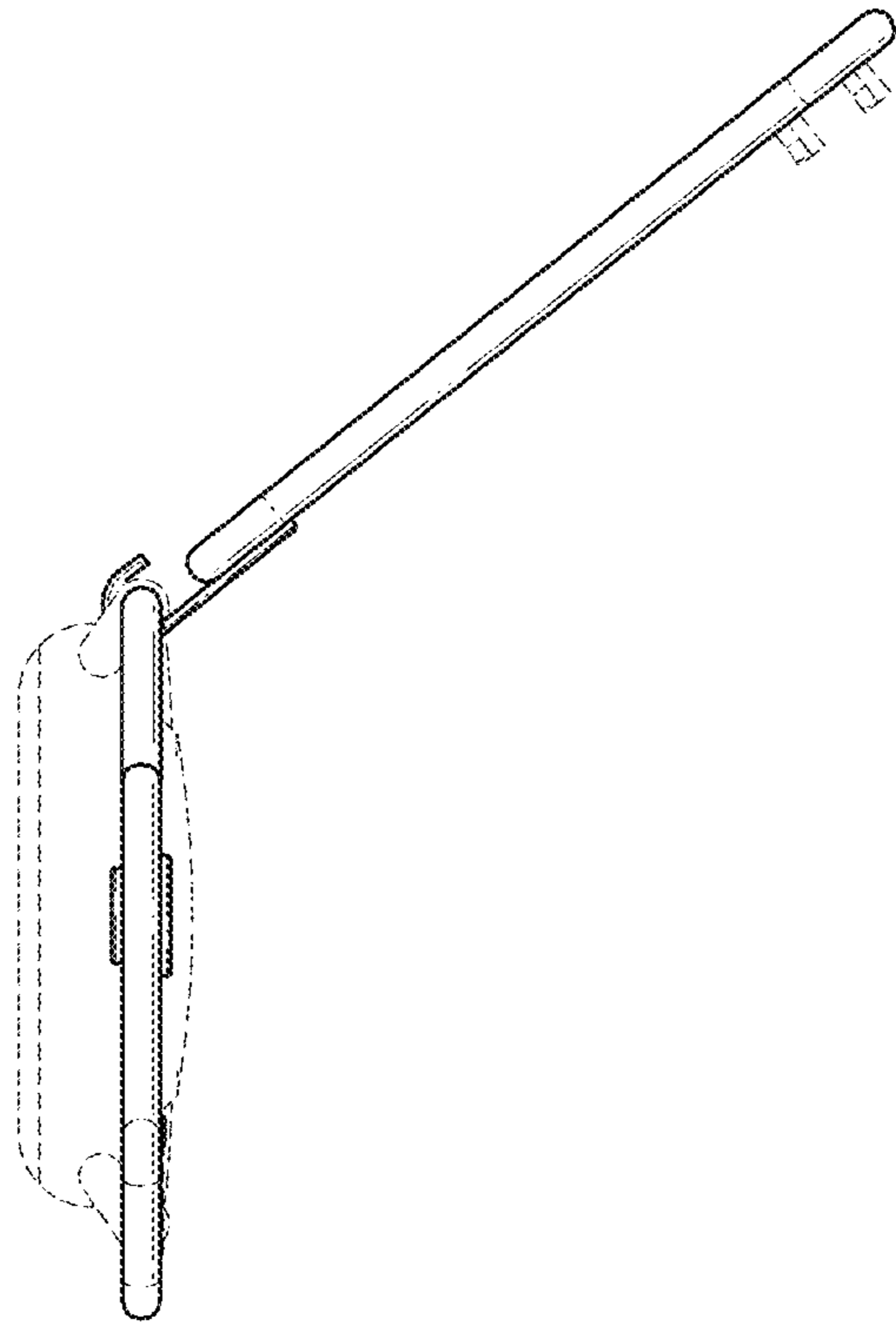


*FIG. 6*





*FIG. 7*



*FIG. 8*