



US00D809953S

(12) **United States Design Patent** (10) **Patent No.:** **US D809,953 S**
Gilmore et al. (45) **Date of Patent:** **** Feb. 13, 2018**

(54) **ON-HAND ATTACHMENT BAND**
(71) Applicant: **EdgeGear, Inc.**, Carlsbad, CA (US)
(72) Inventors: **James Gilmore**, Carlsbad, CA (US); **Andrew Green**, Oslo (NO); **Ian Sandmael**, Lysaker (NO); **Simen Aarseth**, Oslo (NO); **Paul Daniel**, Oslo (NO)

D338,168 S * 8/1993 Ginter D11/2
D373,018 S * 8/1996 Alberti D3/218
D384,200 S * 9/1997 Caldwell D14/192
6,392,962 B1 * 5/2002 Wyatt G04F 8/08
368/107
6,519,207 B1 2/2003 Lukacsko
7,959,351 B1 * 6/2011 Thorpe A41D 19/0027
224/164

(Continued)

(73) Assignee: **EdgeGear, Inc.**, Carlsbad, CA (US)
(**) Term: **15 Years**

(21) Appl. No.: **29/535,463**

(22) Filed: **Aug. 6, 2015**

(51) **LOC (11) Cl.** **11-01**

(52) **U.S. Cl.**
USPC **D11/3**

(58) **Field of Classification Search**
USPC D11/1-26; D10/70, 98, 30, 31, 32, 38,
D10/39; D24/167; D14/344; D3/215,
D3/218
CPC A44C 5/00; A44C 5/007; A44C 5/0015;
A44C 5/0023; A44C 5/003; A44C
5/0038; A44C 5/0053; A44C 5/0061;
A44C 5/0069; A44C 5/0076; A44C
5/0084; A44C 5/0092; A44C 5/20; A61B
5/02405

See application file for complete search history.

(56) **References Cited**

U.S. PATENT DOCUMENTS

552,171 A 12/1895 Farnham
2,926,825 A * 3/1960 Wing A44C 5/00
224/164
4,060,185 A 11/1977 Kuroda
4,681,462 A * 7/1987 Lloyd G04B 37/1486
224/164
D300,910 S * 5/1989 Buford D11/2
4,993,004 A 2/1991 Loizeaux

OTHER PUBLICATIONS

[Online] "Today's Torrent of Info Demands Radical Repositioning of the Watch" <https://www.psfk.com/2015/10/smartwatch-strap-edgegear-shift.html>. Posted online Oct. 29, 2015. Retrieved Sep. 28, 2017.*

Primary Examiner — Melanie Pellegrini

(74) *Attorney, Agent, or Firm* — Knobbe Martens Olson & Bear LLP

(57) **CLAIM**

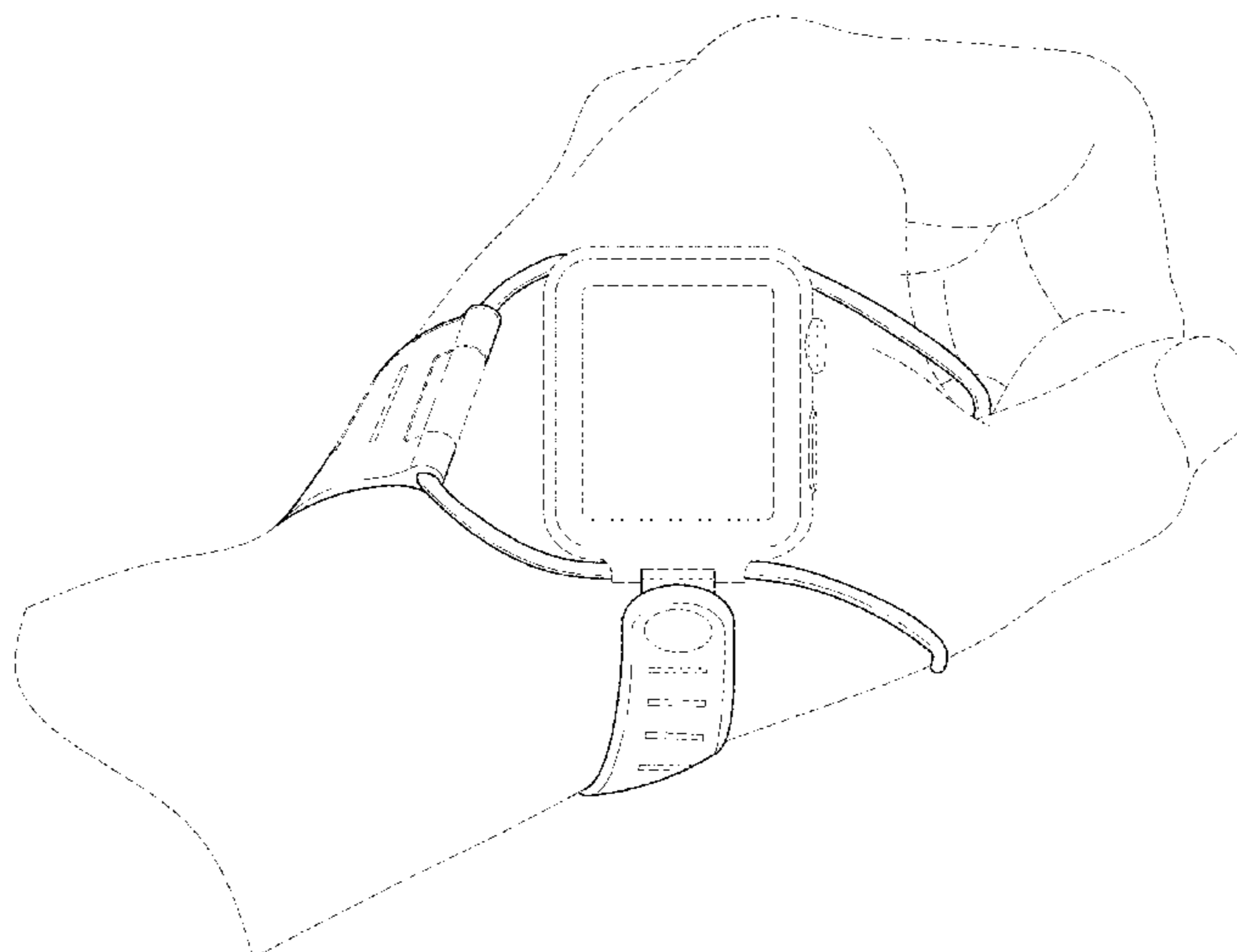
The ornamental design for an on-hand attachment band, as shown and described.

DESCRIPTION

FIG. 1 is a top perspective view of an on-hand attachment band shown in an environment of use;
FIG. 2 is a top and front perspective view thereof;
FIG. 3 is a top plan view thereof;
FIG. 4 is a bottom plan view thereof;
FIG. 5 is a front elevational view thereof;
FIG. 5 is a rear elevational view thereof;
FIG. 6 is a rear elevational view thereof;
FIG. 7 is a right side elevational view thereof; and,
FIG. 8 is a left side elevational view thereof.

The broken lines showing a hand in FIG. 1 represent environment. The remaining evenly spaced broken lines shown in FIGS. 1-8 illustrate portions of the on-hand attachment band which form no part of the claimed design.

1 Claim, 8 Drawing Sheets



(56)

References Cited

U.S. PATENT DOCUMENTS

D657,134 S * 4/2012 Tepper A45F 5/00
D3/215
8,475,035 B1 7/2013 Harrington
8,714,422 B2 * 5/2014 Yu A45F 5/00
224/197
8,783,533 B1 * 7/2014 Marseille A45F 5/00
224/197
D747,226 S * 1/2016 Kuang D10/70
D763,568 S * 8/2016 Singhal D3/218
2006/0126446 A1 * 6/2006 Martens G04B 37/1433
368/282
2010/0177604 A1 * 7/2010 Ginter A44C 5/0015
368/282
2011/0007468 A1 1/2011 Burton et al.
2016/0183390 A1 6/2016 Yang et al.

* cited by examiner

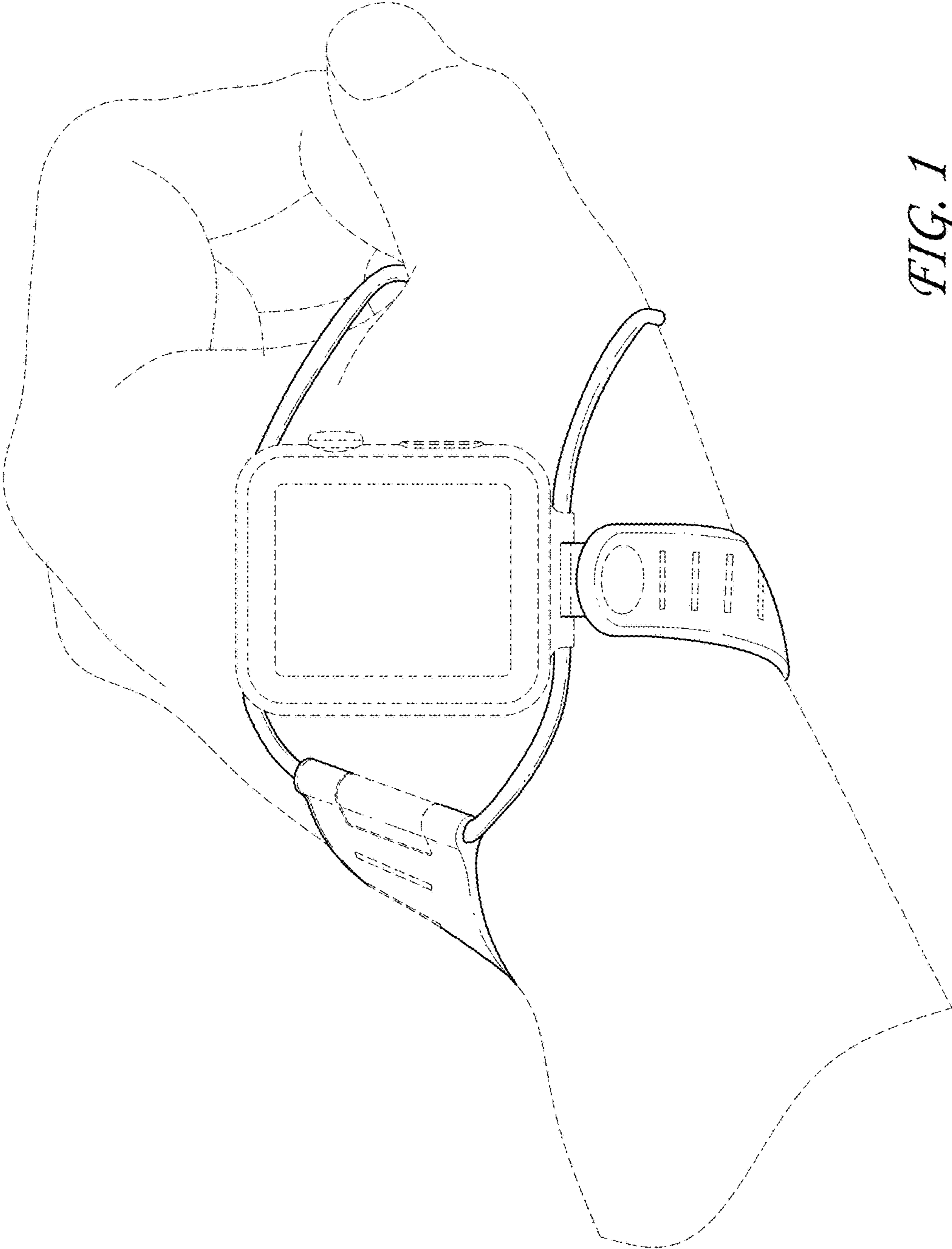


FIG. 1

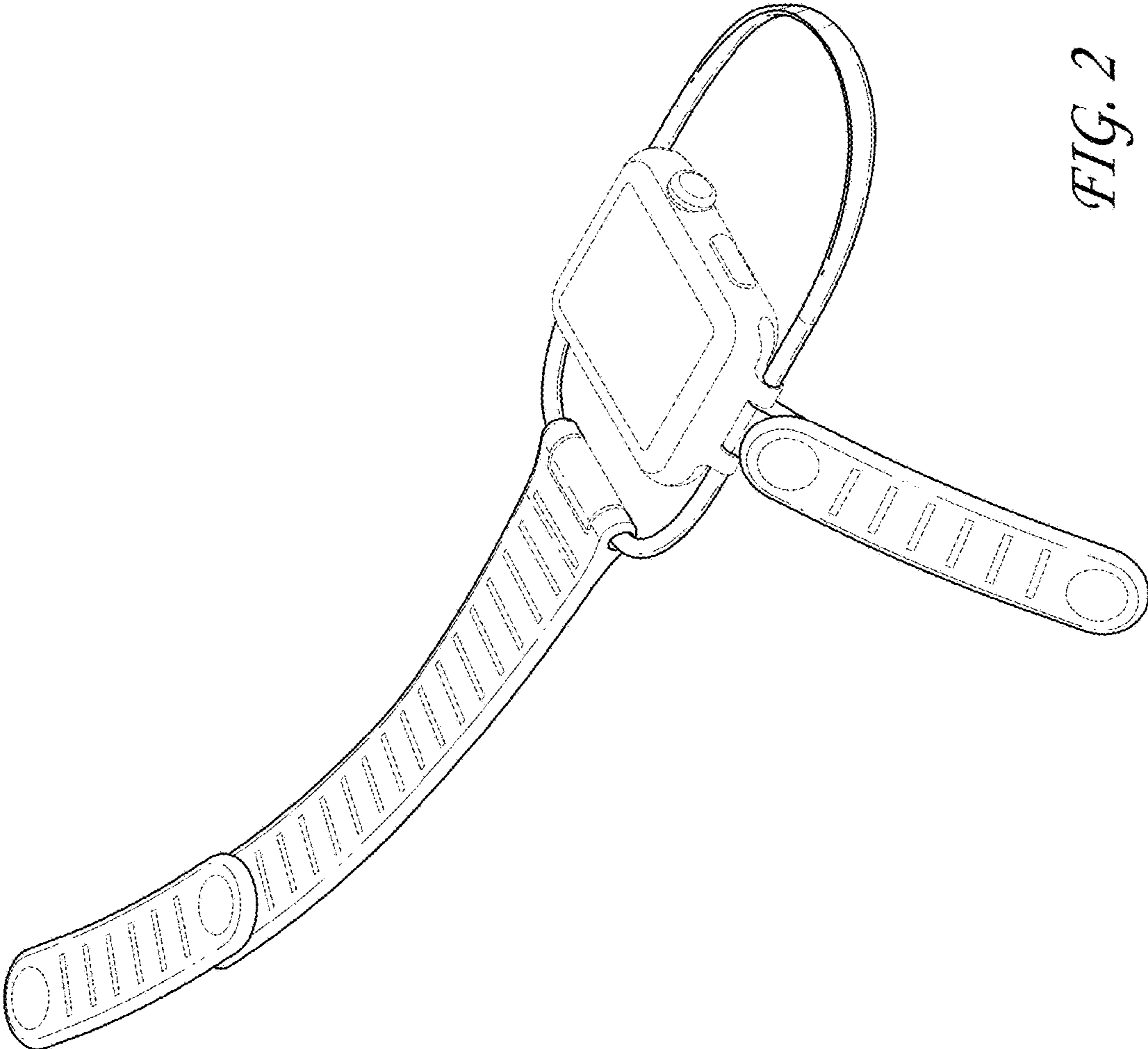


FIG. 2

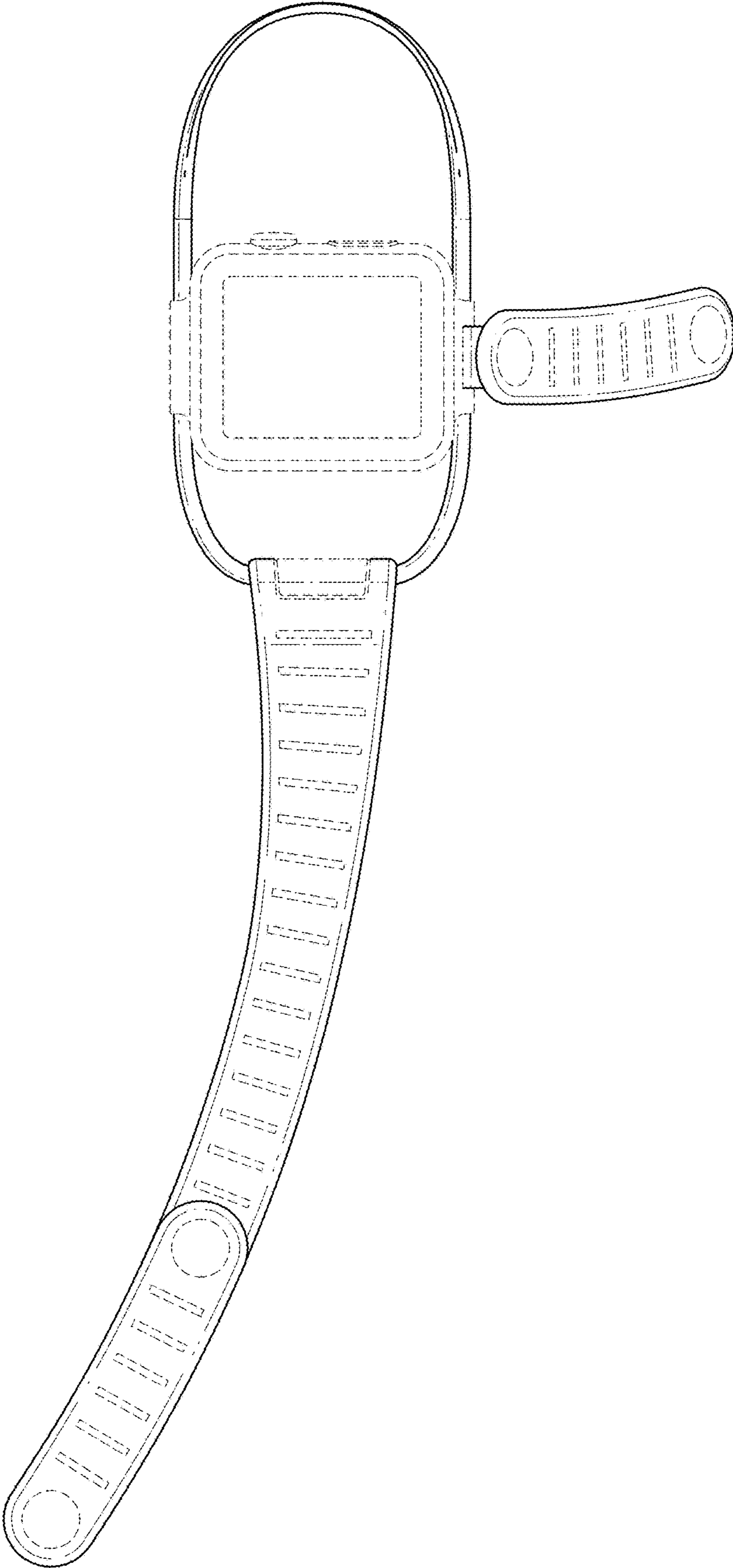


FIG. 3

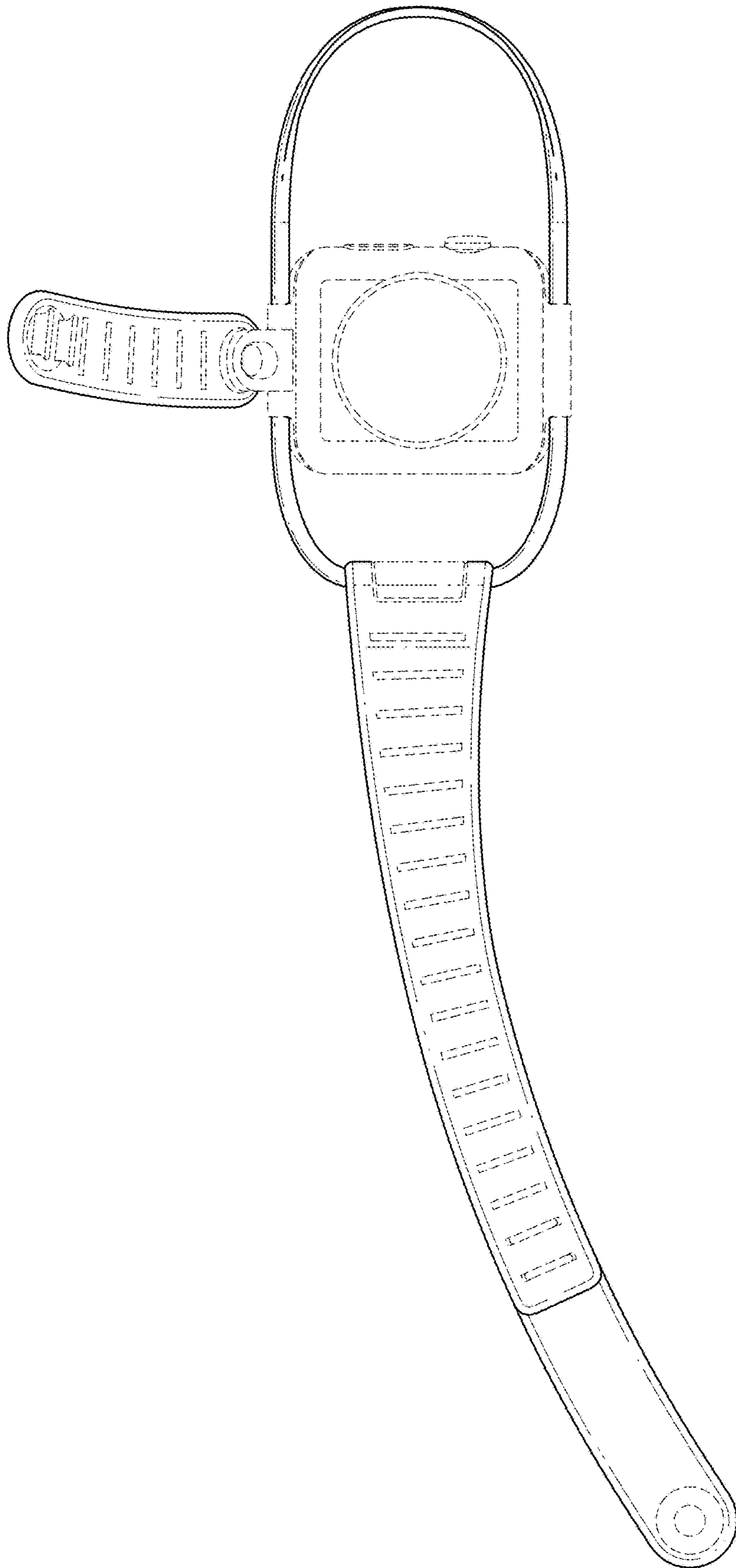


FIG. 4

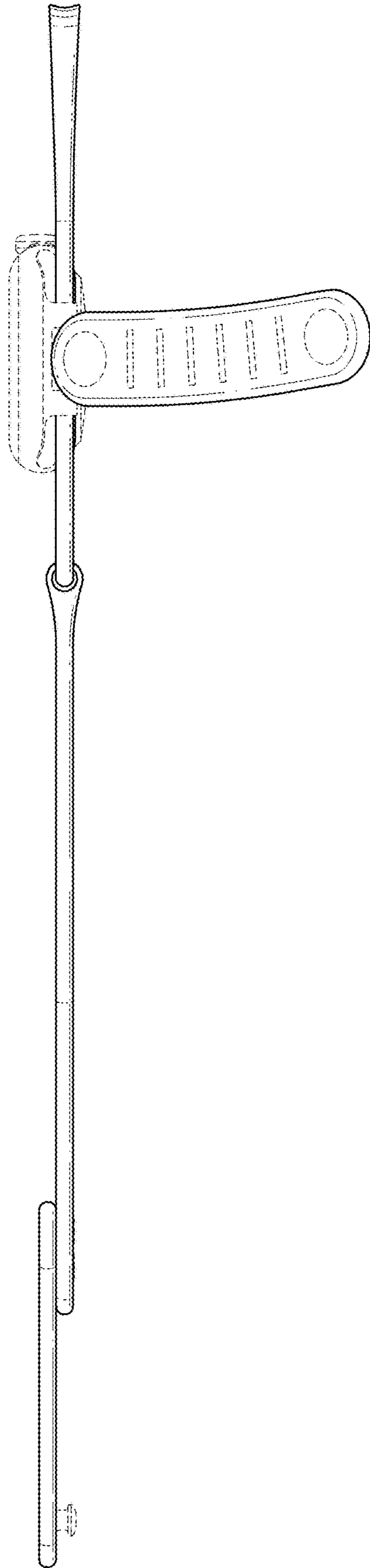


FIG. 5

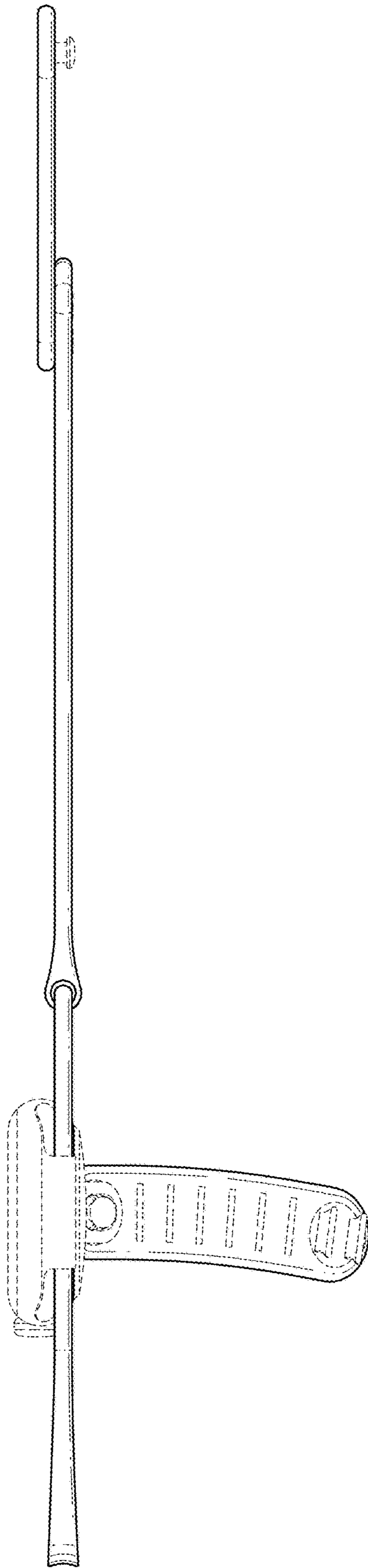


FIG. 6

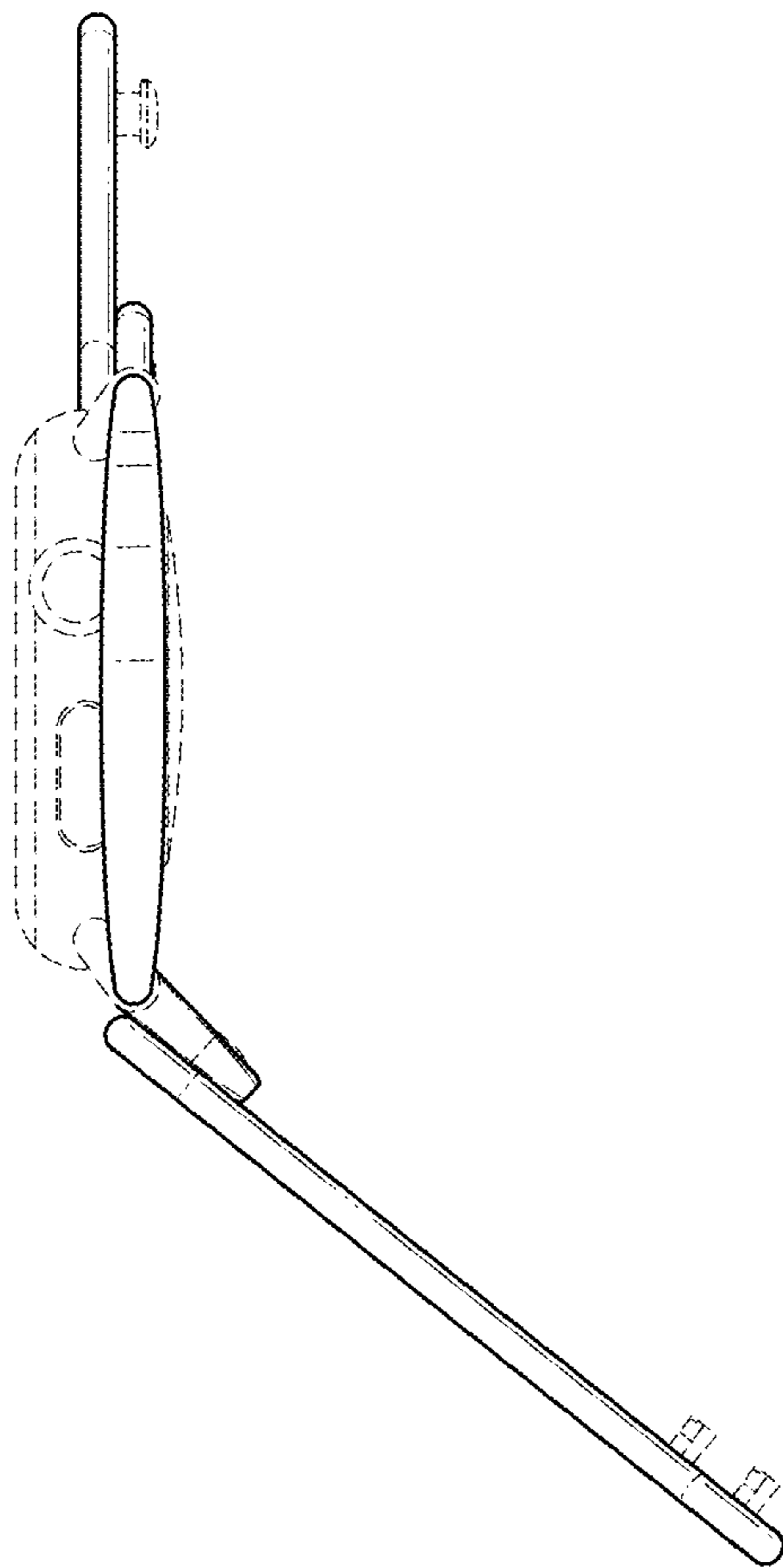


FIG. 7

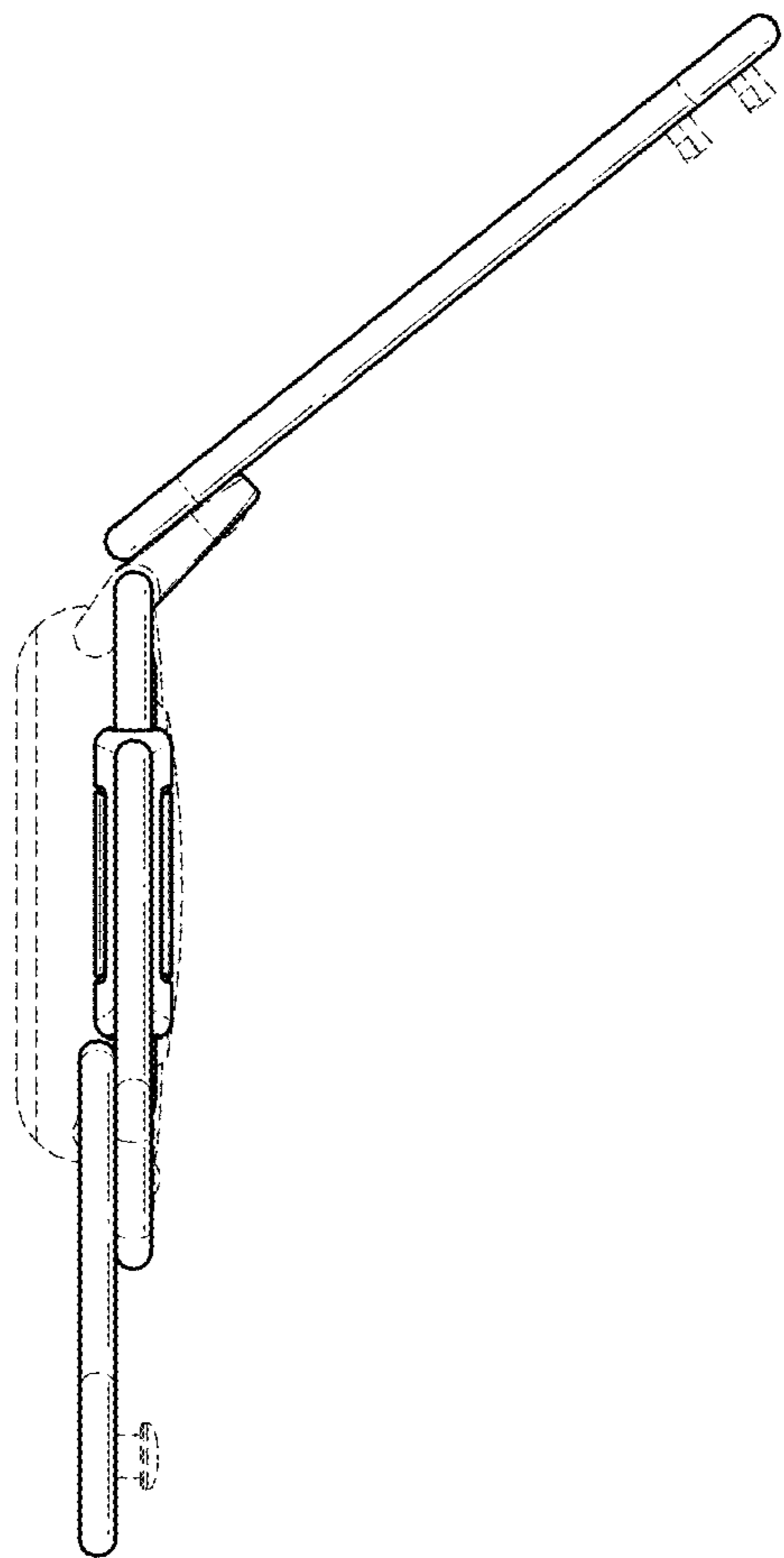


FIG. 8