



US00D809952S

(12) **United States Design Patent** (10) **Patent No.:** **US D809,952 S**
Wolfe, Jr. et al. (45) **Date of Patent:** **** Feb. 13, 2018**

(54) **NOISE MAKER**
(71) Applicant: **Starmark Pet Products, Inc.**, Hutto, TX (US)
(72) Inventors: **Jerry J. Wolfe, Jr.**, Hutto, TX (US); **Harold Keith Benson**, Hutto, TX (US)
(73) Assignee: **Starmark Pet Products, Inc.**, Hutto, TX (US)

8,474,404 B2 7/2013 Costello
8,661,623 B2 3/2014 Leggett et al.
D777,043 S 1/2017 Temple
2004/0134434 A1 7/2004 Kraft et al.
2005/0183674 A1 8/2005 Zutis et al.
2006/0000416 A1 1/2006 Zutis et al.
2007/0074668 A1 4/2007 Zutis et al.
2009/0020077 A1 1/2009 Macrae
2010/0095896 A1 4/2010 Van Wye
2011/0214619 A1 9/2011 Risch et al.
2013/0233246 A1 9/2013 Wang

* cited by examiner

(**) Term: **14 Years**

(21) Appl. No.: **29/525,374**

(22) Filed: **Apr. 29, 2015**

(51) **LOC (11) Cl.** **10-05**

(52) **U.S. Cl.**
USPC **D10/119.1**

(58) **Field of Classification Search**
USPC D10/119.1
CPC A01K 15/02
See application file for complete search history.

(56) **References Cited**

U.S. PATENT DOCUMENTS

1,026,256 A 5/1912 Ehrman
3,029,554 A 4/1962 Mobley
3,538,637 A 11/1970 Smith
3,902,272 A 9/1975 Molenaar
D266,492 S * 10/1982 Oppermann, Sr. D10/109.2
D315,579 S * 3/1991 Karamian D21/411
5,015,811 A 5/1991 Moriyama et al.
5,027,442 A 7/1991 Taylor
D463,833 S * 10/2002 Puett, III D21/406
7,069,878 B2 7/2006 Mugford
7,143,719 B1 12/2006 Giddens et al.
7,263,953 B2 9/2007 Sundararajan
D556,619 S 12/2007 Markfelder
7,334,541 B2 2/2008 Reiter
7,674,153 B2 3/2010 King
D649,899 S * 12/2011 Primos D10/119.1

Primary Examiner — George D. Kirschbaum
(74) *Attorney, Agent, or Firm* — Russell Ng PLLC; Brian F. Russel

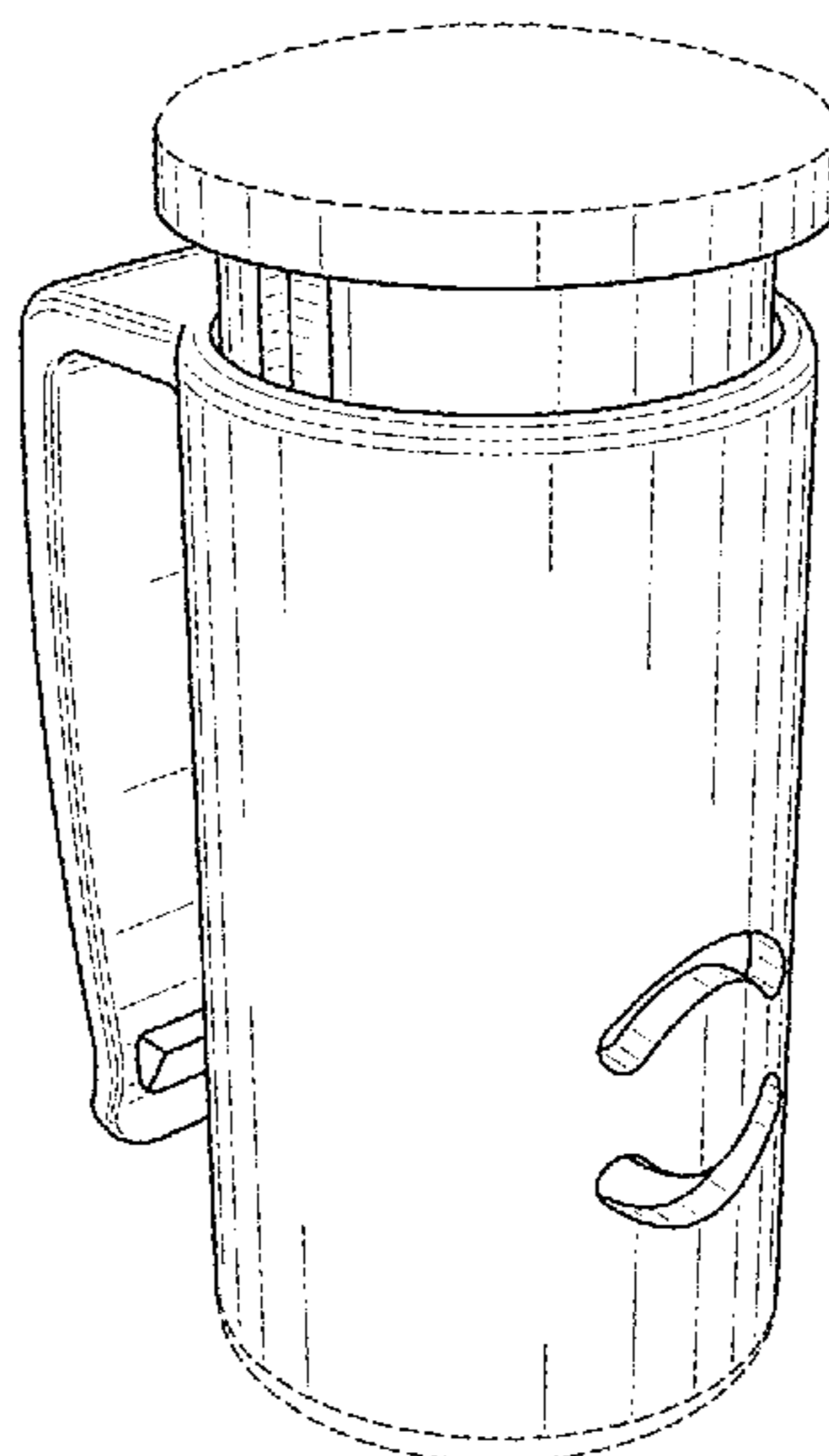
(57) **CLAIM**

The ornamental design for a noise maker, as shown and described.

DESCRIPTION

FIG. 1 is a perspective view of a preferred embodiment of the noise maker;
FIG. 2 is a front elevation view of a preferred embodiment of the noise maker;
FIG. 3 is a back elevation view of a preferred embodiment of the noise maker;
FIG. 4 is a left side elevation view of a preferred embodiment of the noise maker;
FIG. 5 is a right side elevation view of a preferred embodiment of the noise maker;
FIG. 6 is a top plan view of a preferred embodiment of the noise maker; and,
FIG. 7 is a bottom plan view of a preferred embodiment of the noise maker.
The broken line showing is included for the purpose of illustrating portions of the “article” and forms no part of the claimed design.

1 Claim, 2 Drawing Sheets



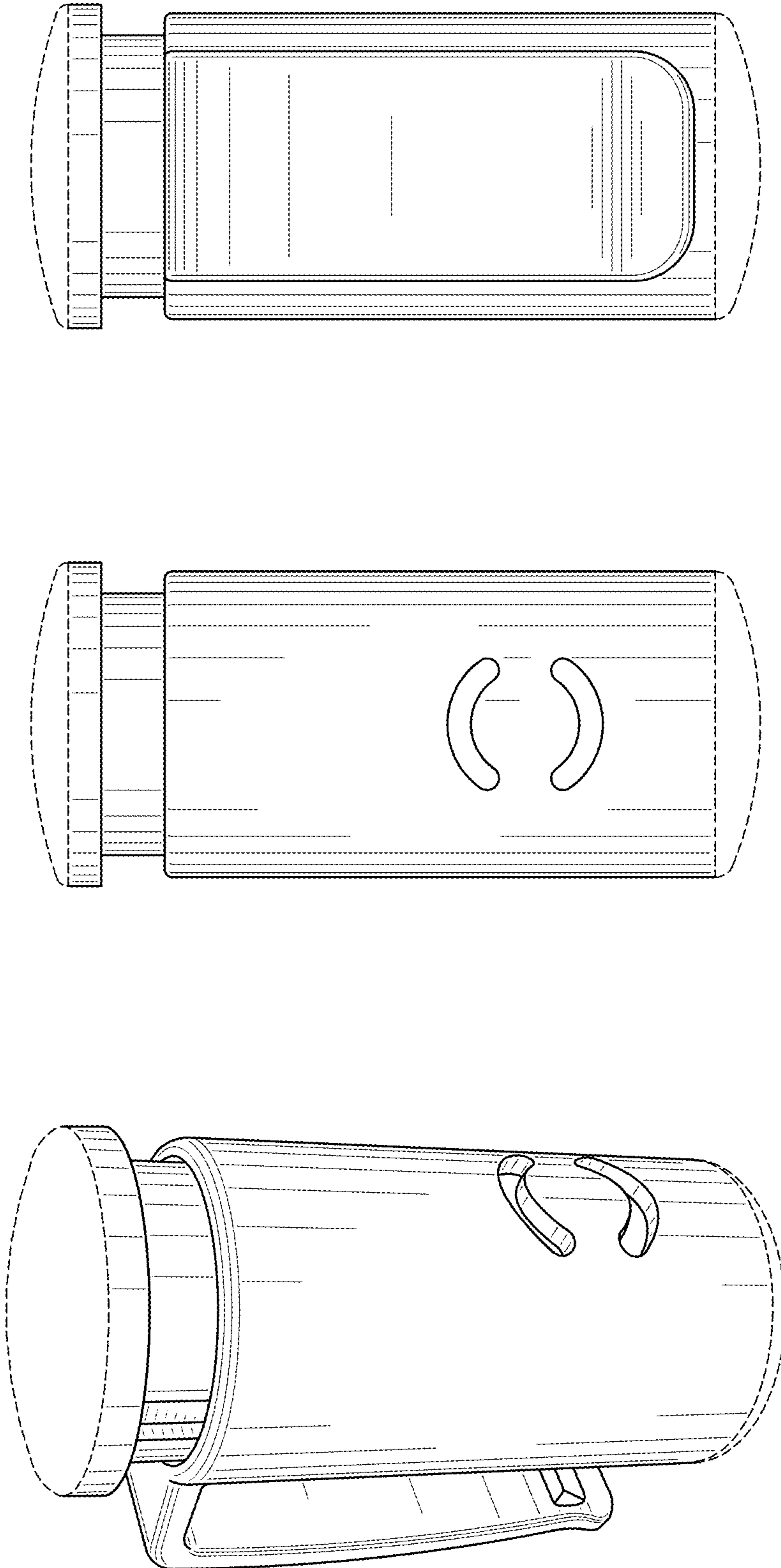


FIG. 3

FIG. 2

FIG. 1

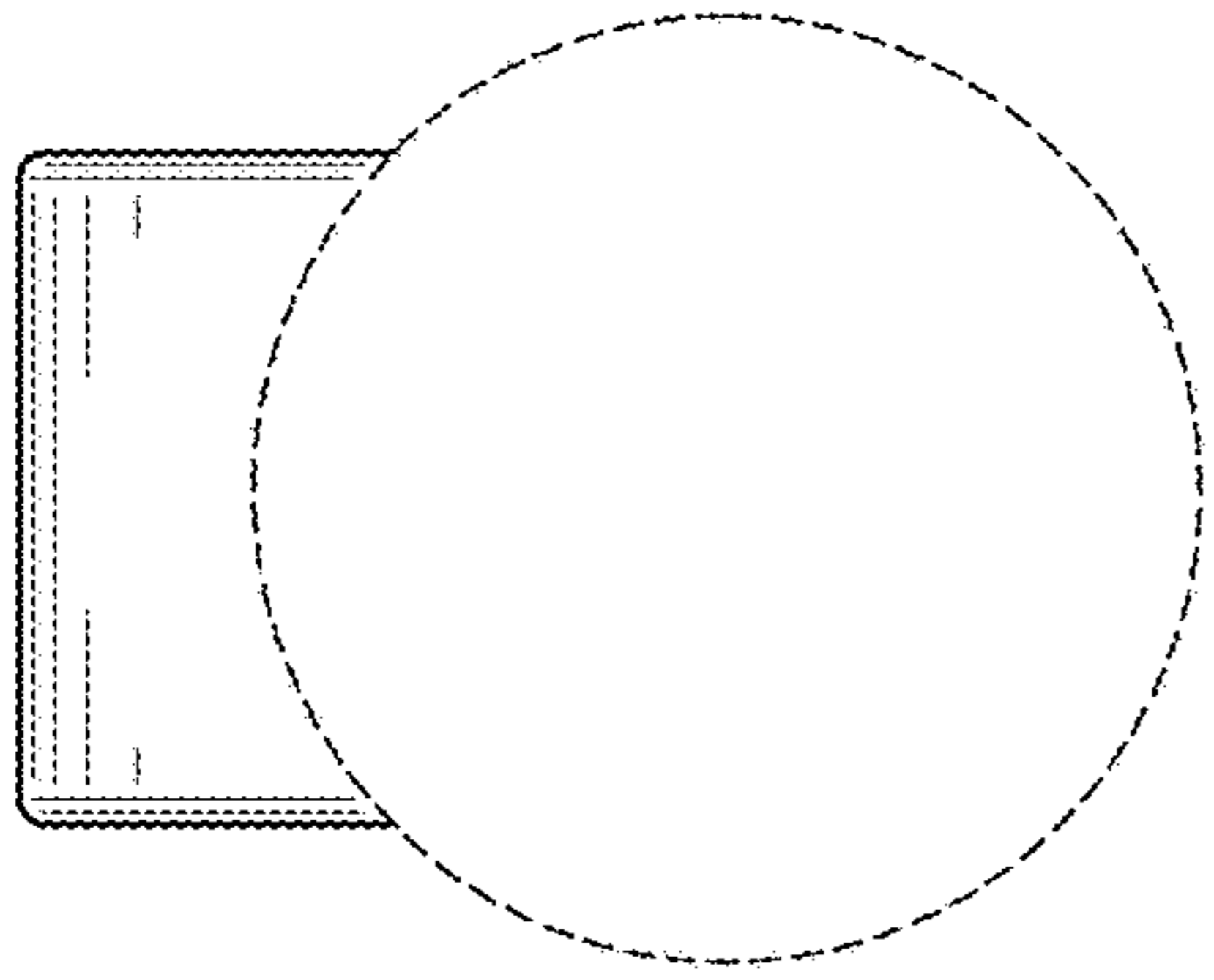


FIG. 6

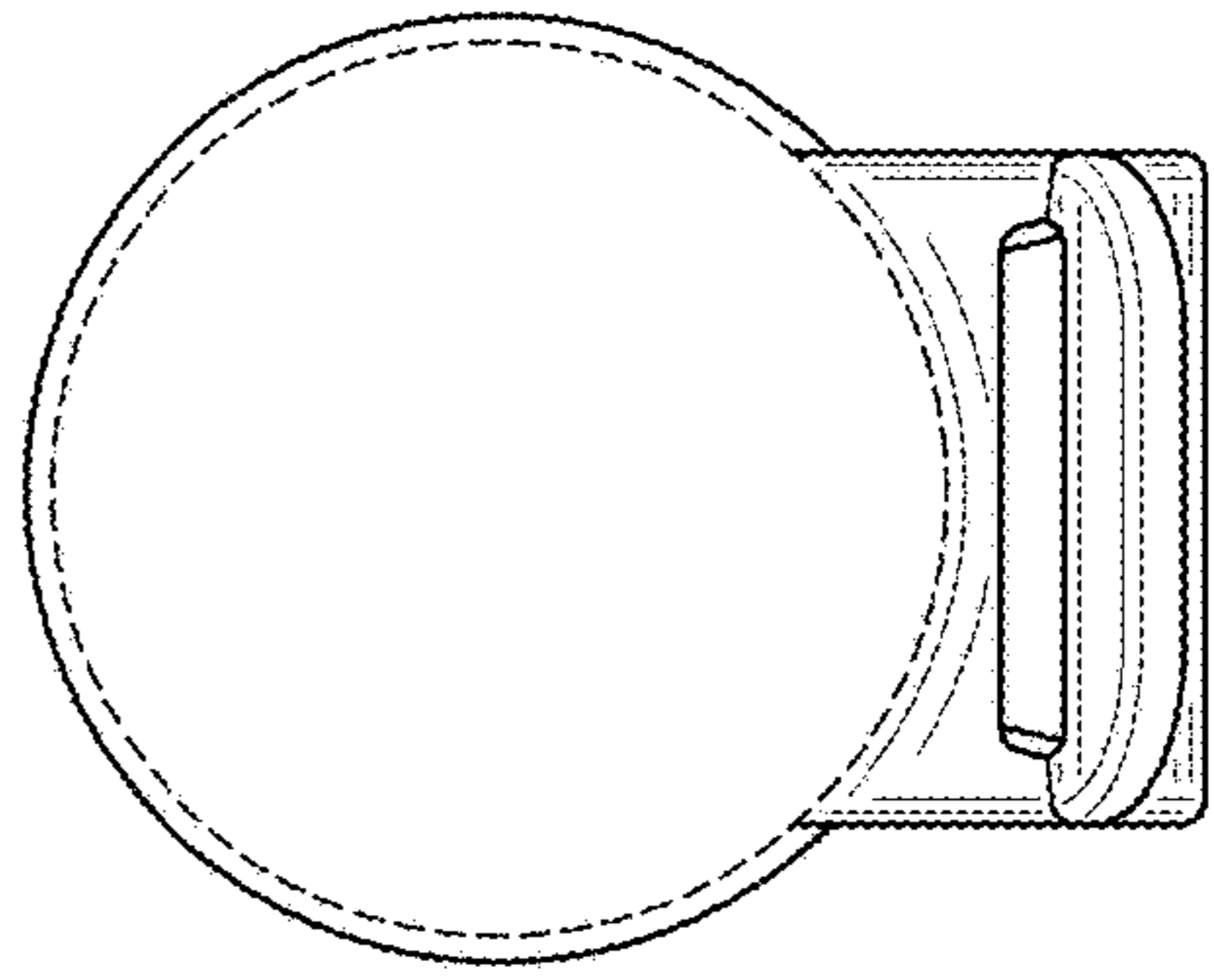


FIG. 7

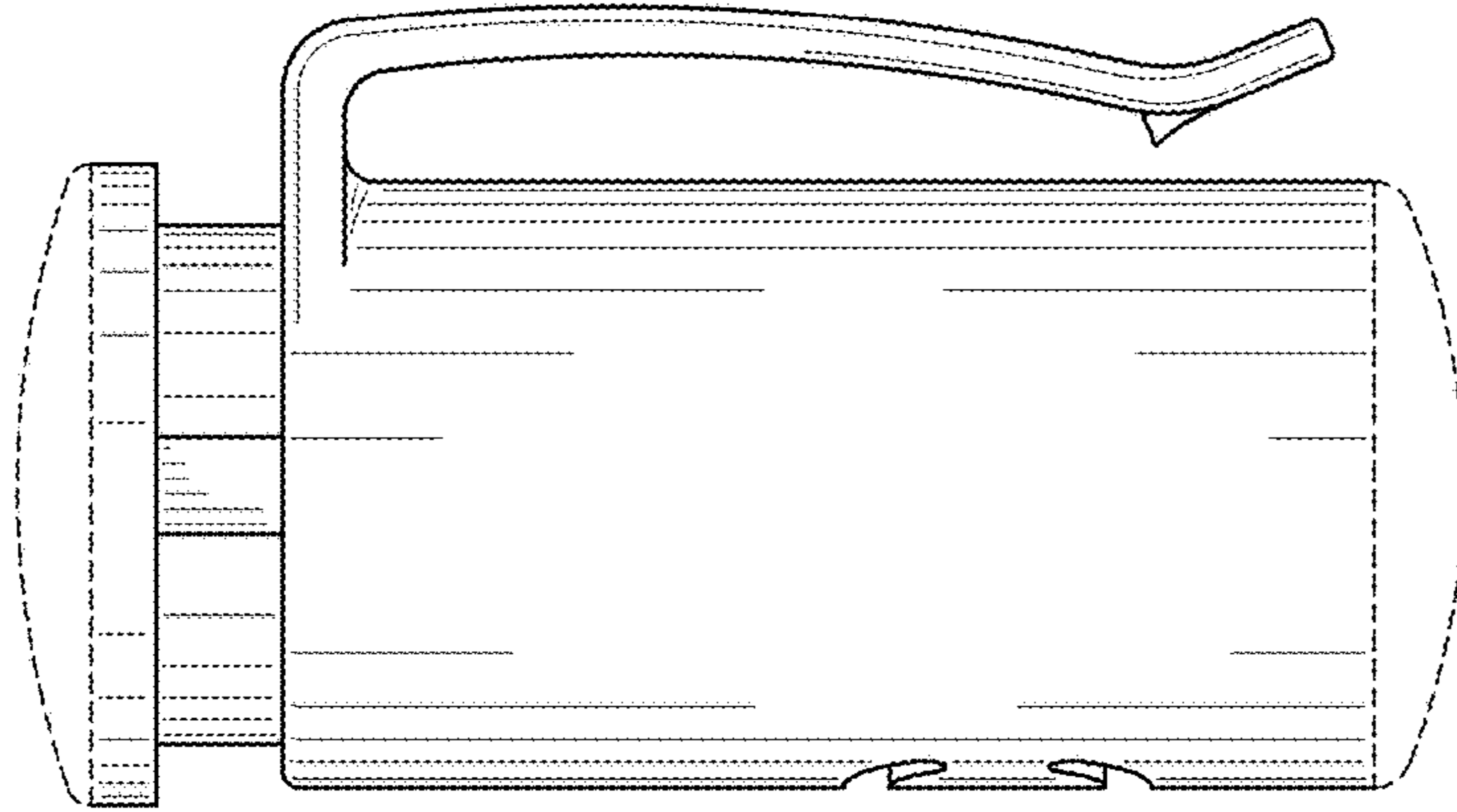


FIG. 5

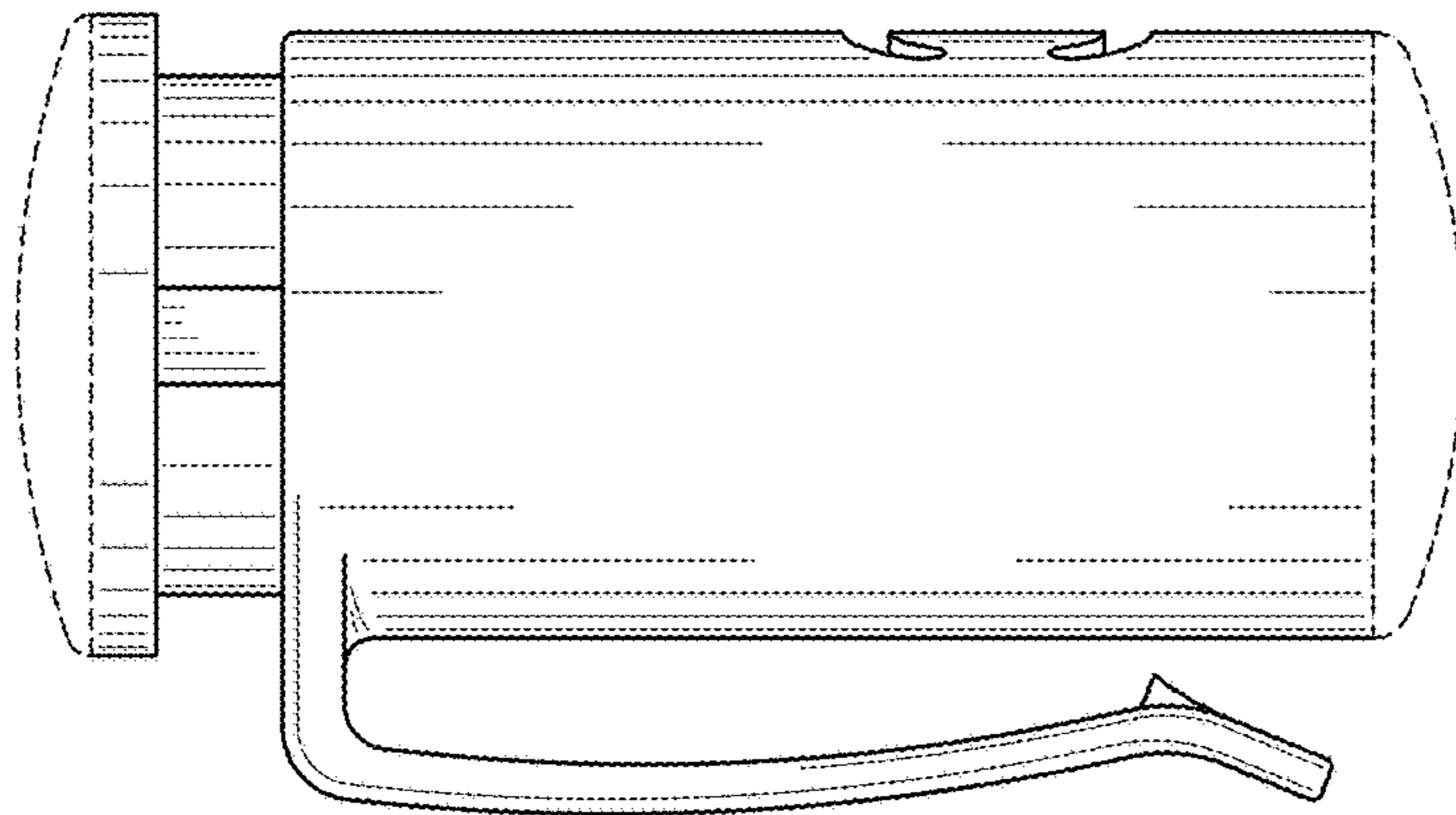


FIG. 4