



US00D809951S

(12) **United States Design Patent**
Yang et al.

(10) **Patent No.:** **US D809,951 S**
(45) **Date of Patent:** **** Feb. 13, 2018**

(54) **SIGNAL CONVERTER**
(71) Applicants: **GD MIDEA AIR-CONDITIONING EQUIPMENT CO., LTD.**, Foshan, Guangdong (CN); **MIDEA GROUP CO., LTD.**, Foshan, Guangdong (CN)
(72) Inventors: **Yongyi Yang**, Guangdong (CN); **Sanxin Li**, Guangdong (CN); **Sujun Zhan**, Guangdong (CN)
(73) Assignees: **GD MIDEA AIR-CONDITIONING EQUIPMENT CO., LTD.**, Guangdong (CN); **MIDEA GROUP CO., LTD.**, Guangdong (CN)

D560,739 S * 1/2008 Bernatz D21/794
D674,755 S * 1/2013 Suzuki D13/147
D729,773 S * 5/2015 Salojarvi D14/218
D739,942 S * 9/2015 Pernu D24/167
D746,165 S * 12/2015 Li D10/104.1
D747,229 S * 1/2016 Perez D10/104.1
9,392,404 B2 * 7/2016 Daoura H04W 4/02
D773,947 S * 12/2016 Scarcella D10/104.1
D779,988 S * 2/2017 Vu D10/103
D790,372 S * 6/2017 Daoura D10/104.1
D790,373 S * 6/2017 Daoura D10/104.1
D795,109 S * 8/2017 Olodort D10/104.1
2014/0238199 A1 * 8/2014 Bailey B67B 7/18
81/3.09
2015/0356858 A1 * 12/2015 Daoura G06Q 10/00
340/539.32

(**) Term: **15 Years**

(21) Appl. No.: **29/531,719**

(22) Filed: **Jun. 29, 2015**

(30) **Foreign Application Priority Data**

May 12, 2015 (CN) 2015 3 0137306

(51) **LOC (11) Cl.** **10-05**

(52) **U.S. Cl.**
USPC **D10/104.1**

(58) **Field of Classification Search**
USPC D10/104.1; D21/794; D14/218;
D13/147, 123; D24/167
CPC G06Q 10/00; B67B 7/18; H04W 4/02
See application file for complete search history.

(56) **References Cited**

U.S. PATENT DOCUMENTS

D359,007 S * 6/1995 Nemoto D10/96
D525,197 S * 7/2006 Tanabe D13/123

* cited by examiner

Primary Examiner — George D. Kirschbaum

(74) *Attorney, Agent, or Firm* — David D. Brush;
Westman Champlin & Koehler, P.A.

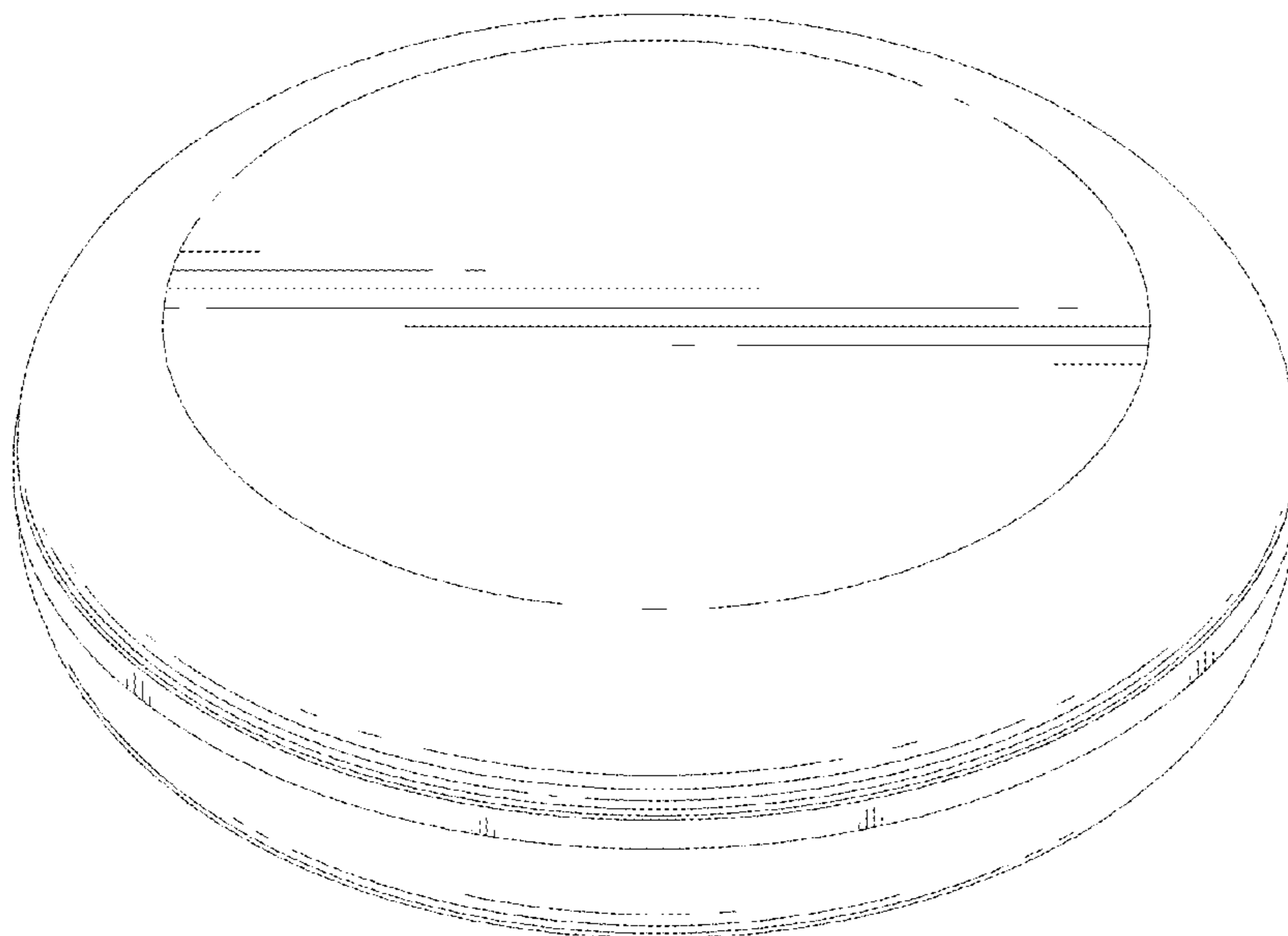
(57) **CLAIM**

The ornamental design for a signal converter, as shown and described.

DESCRIPTION

FIG. 1 is a perspective view of a signal converter embodying the inventive ornamental design;
FIG. 2 is a front view thereof;
FIG. 3 is a back view thereof;
FIG. 4 is a left side view thereof;
FIG. 5 is a right side view thereof;
FIG. 6 is a top view thereof; and,
FIG. 7 is a bottom view thereof.
The broken lines of FIG. 7 are included for the purpose of illustrating environmental structure and form no part of the claimed design.

1 Claim, 6 Drawing Sheets



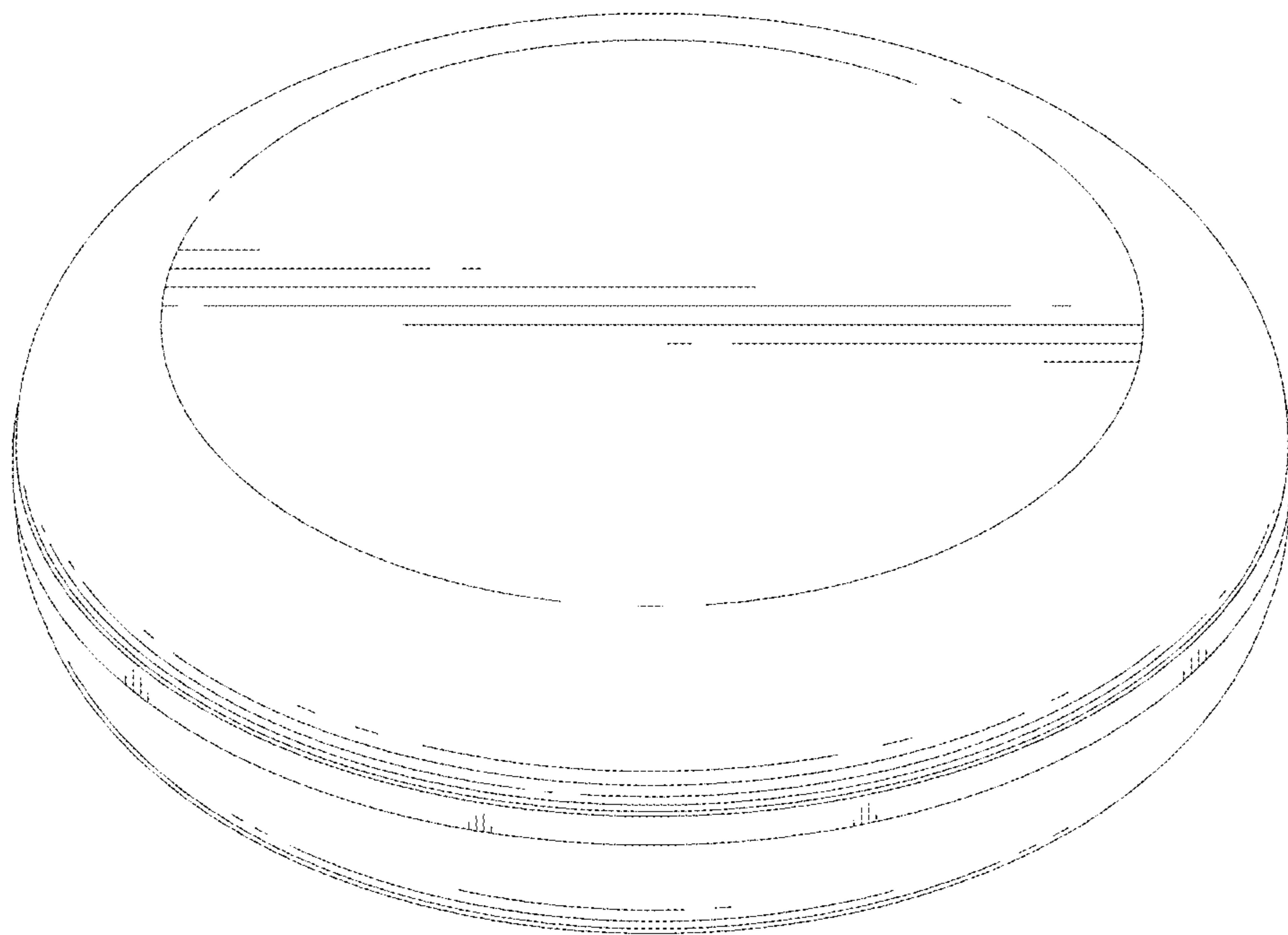


Fig.1

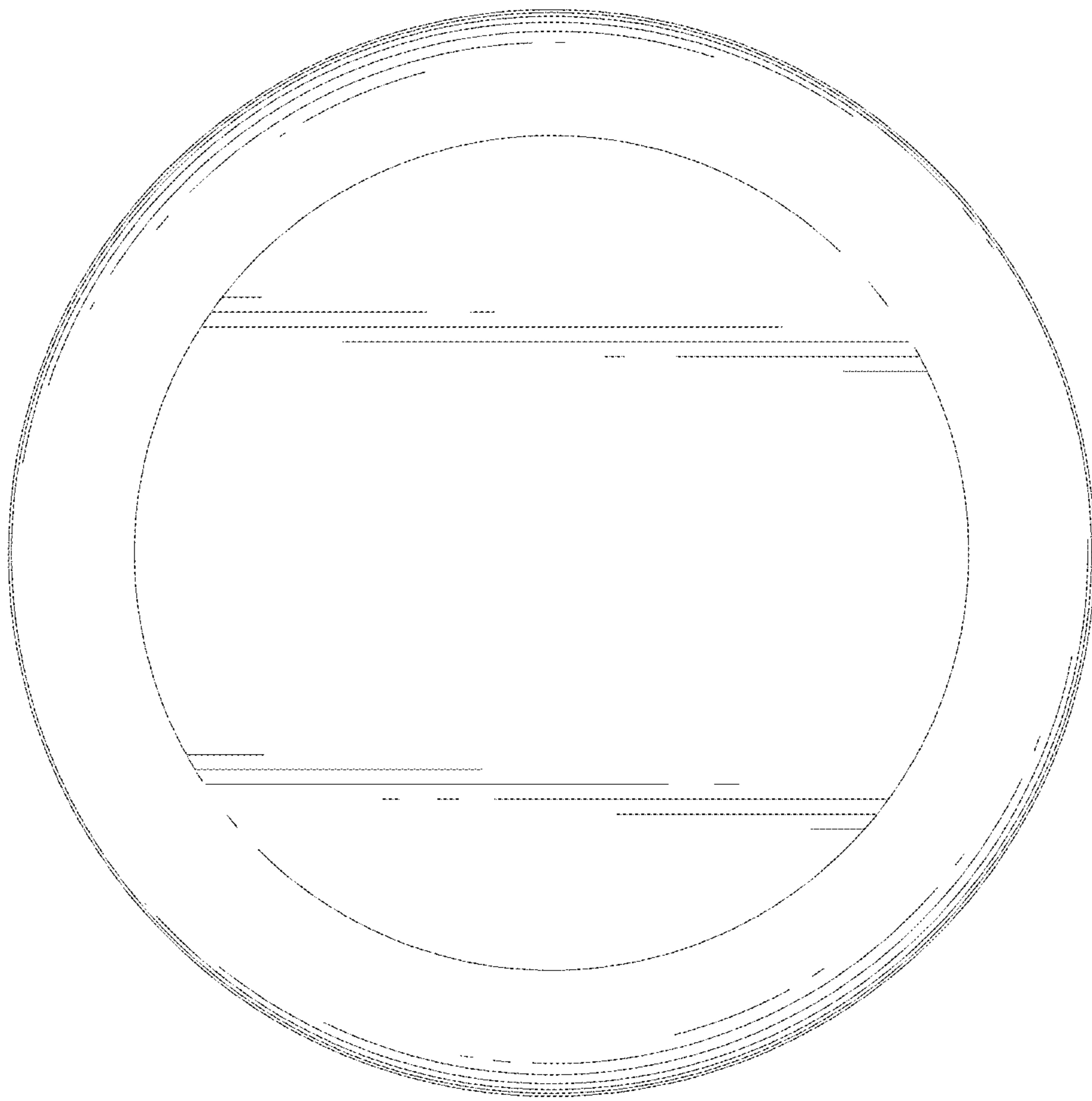


Fig. 2

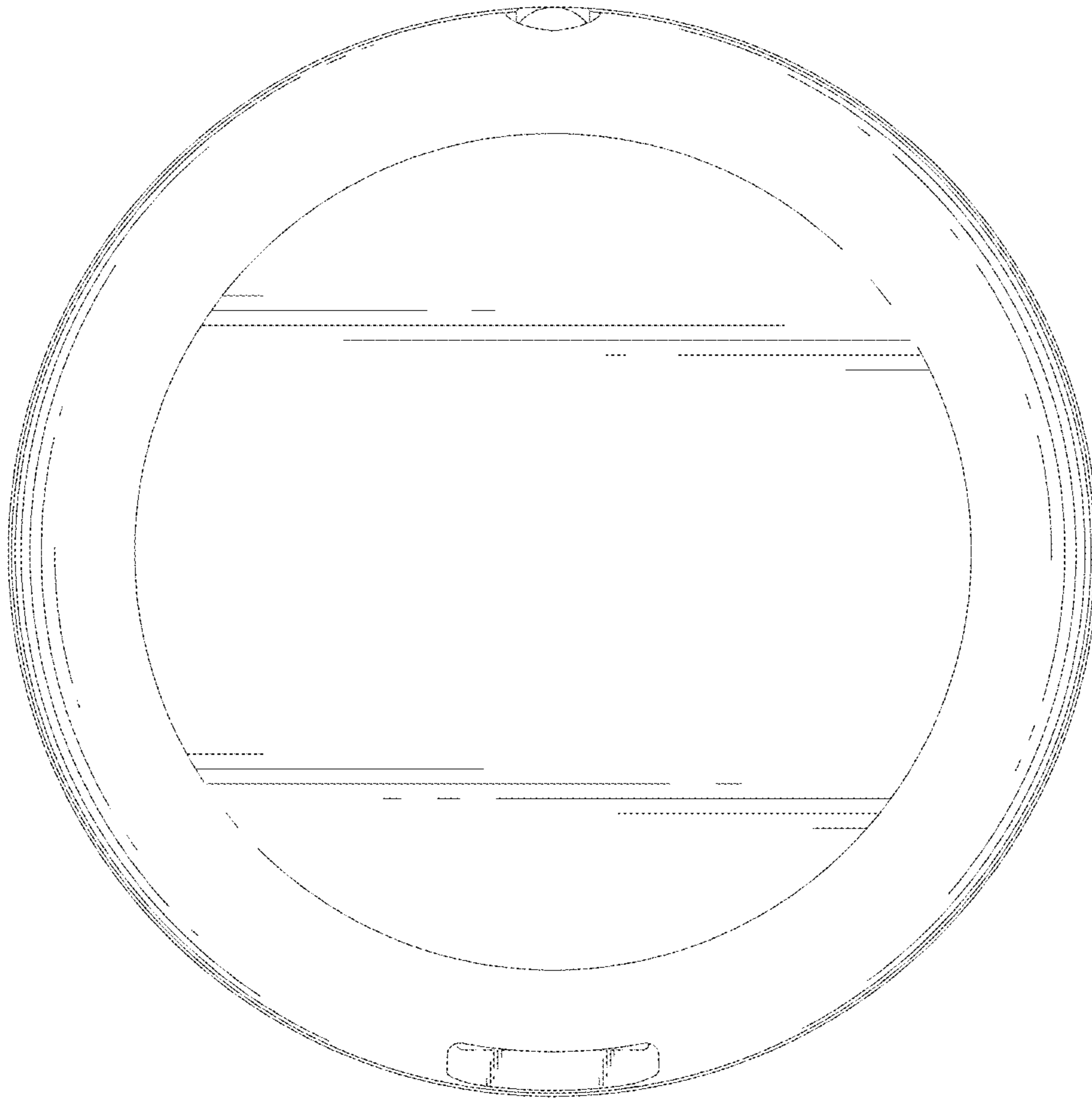


Fig. 3

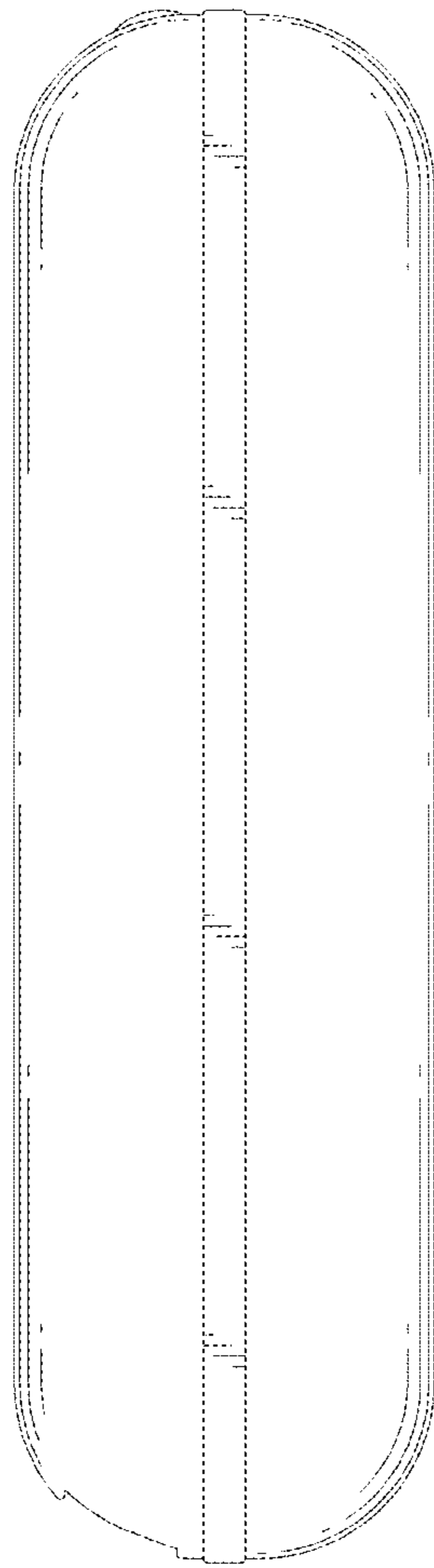


Fig. 4

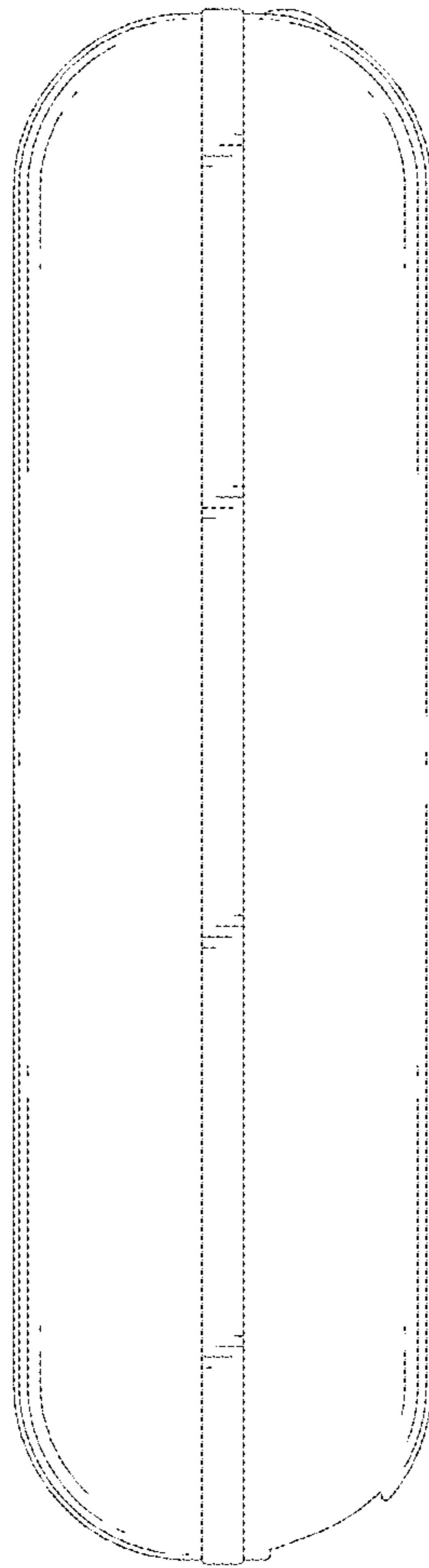


Fig. 5

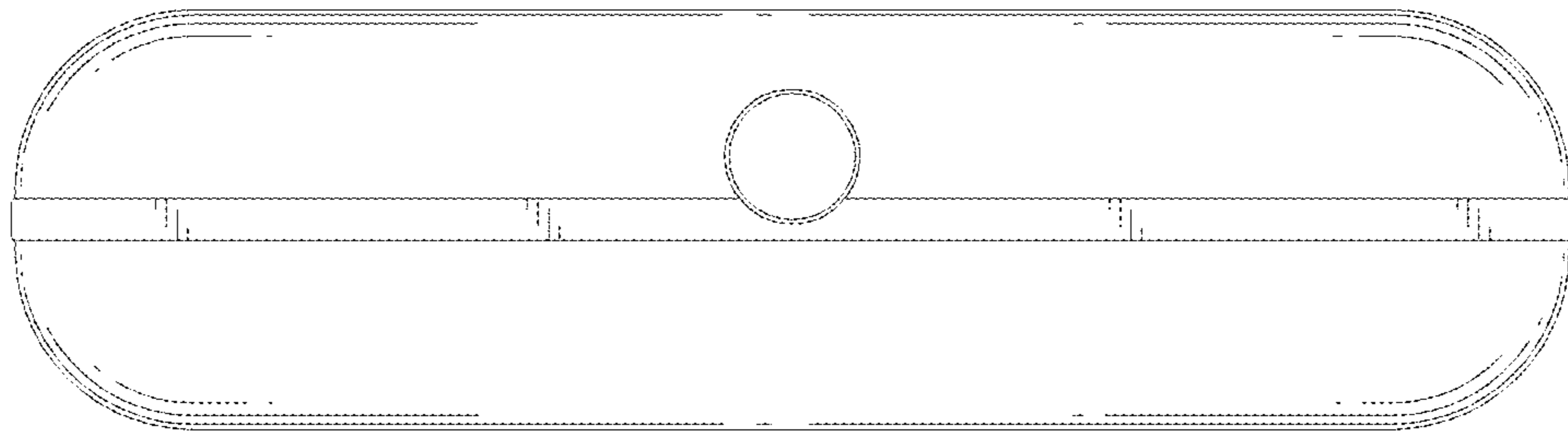


Fig. 6

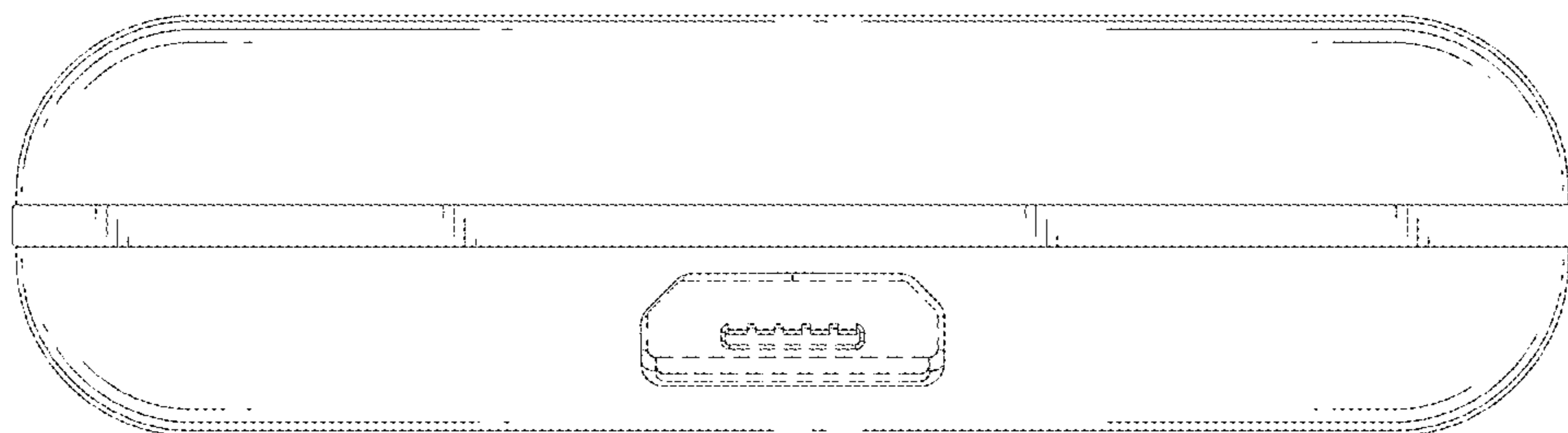


Fig. 7