



US00D809950S

(12) **United States Design Patent**  
**Tabata et al.**

(10) **Patent No.:** **US D809,950 S**

(45) **Date of Patent:** **\*\* Feb. 13, 2018**

(54) **CONVERTER FOR FLOWMETER**

(56) **References Cited**

(71) Applicant: **YOKOGAWA ELECTRIC CORPORATION**, Musashino-shi, Tokyo (JP)

U.S. PATENT DOCUMENTS

D297,716 S *	9/1988	Rosaen .....	D10/96
D407,657 S *	4/1999	Fushiya .....	D10/96
D601,050 S *	9/2009	Satoh .....	D10/96
D613,195 S *	4/2010	Kabaya .....	D10/96
D711,267 S *	8/2014	Tsuda .....	D10/96

(72) Inventors: **Hiroki Tabata**, Musashino (JP); **Noriaki Senba**, Musashino (JP); **Naoto Takano**, Musashino (JP); **Takashi Arai**, Musashino (JP)

\* cited by examiner

(73) Assignee: **Yokogawa Electric Corporation**, Tokyo (JP)

*Primary Examiner* — Antoine Duval Davis

(74) *Attorney, Agent, or Firm* — Sughrue Mion, PLLC

(\*\*) Term: **15 Years**

(57) **CLAIM**

(21) Appl. No.: **29/582,436**

The ornamental design for a converter for flowmeter, as shown and described.

(22) Filed: **Oct. 27, 2016**

(30) **Foreign Application Priority Data**

**DESCRIPTION**

Apr. 28, 2016 (JP) ..... 2016-009449

(51) **LOC (11) Cl.** ..... **10-04**

(52) **U.S. Cl.**  
USPC ..... **D10/96**

(58) **Field of Classification Search**  
USPC ..... D10/96  
CPC ..... G01F 1/40; G01F 1/42; G01F 1/44; G01F 1/46; G01F 1/74; G01F 11/003; G01F 11/006; G01N 21/03; G01N 21/05; G01N 2021/0378; G01N 2021/0382; G01N 2021/052; G01N 2021/054; G01N 2021/056; G01N 2021/058

FIG. 1 is a perspective view of a converter for flowmeter showing our new design;  
FIG. 2 is a front view thereof;  
FIG. 3 is a rear view thereof;  
FIG. 4 is a left side view thereof;  
FIG. 5 is a right side view thereof;  
FIG. 6 is a top view thereof; and,  
FIG. 7 is a bottom view thereof.

The broken lines in the figures are included for the purpose of illustrating the unclaimed portions of the converter for flowmeter and form no part of the claimed design.

See application file for complete search history.

**1 Claim, 7 Drawing Sheets**

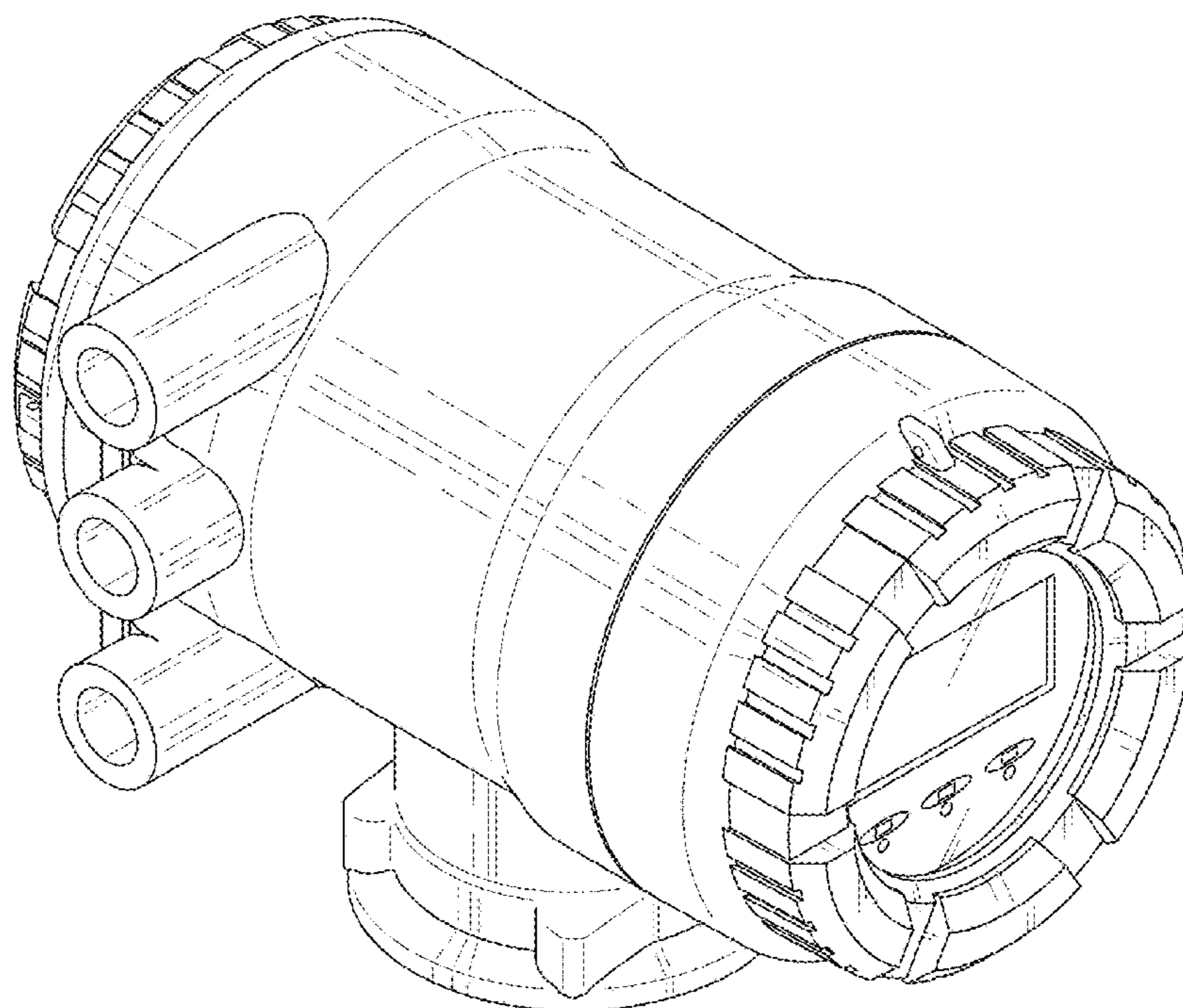


Fig. 1

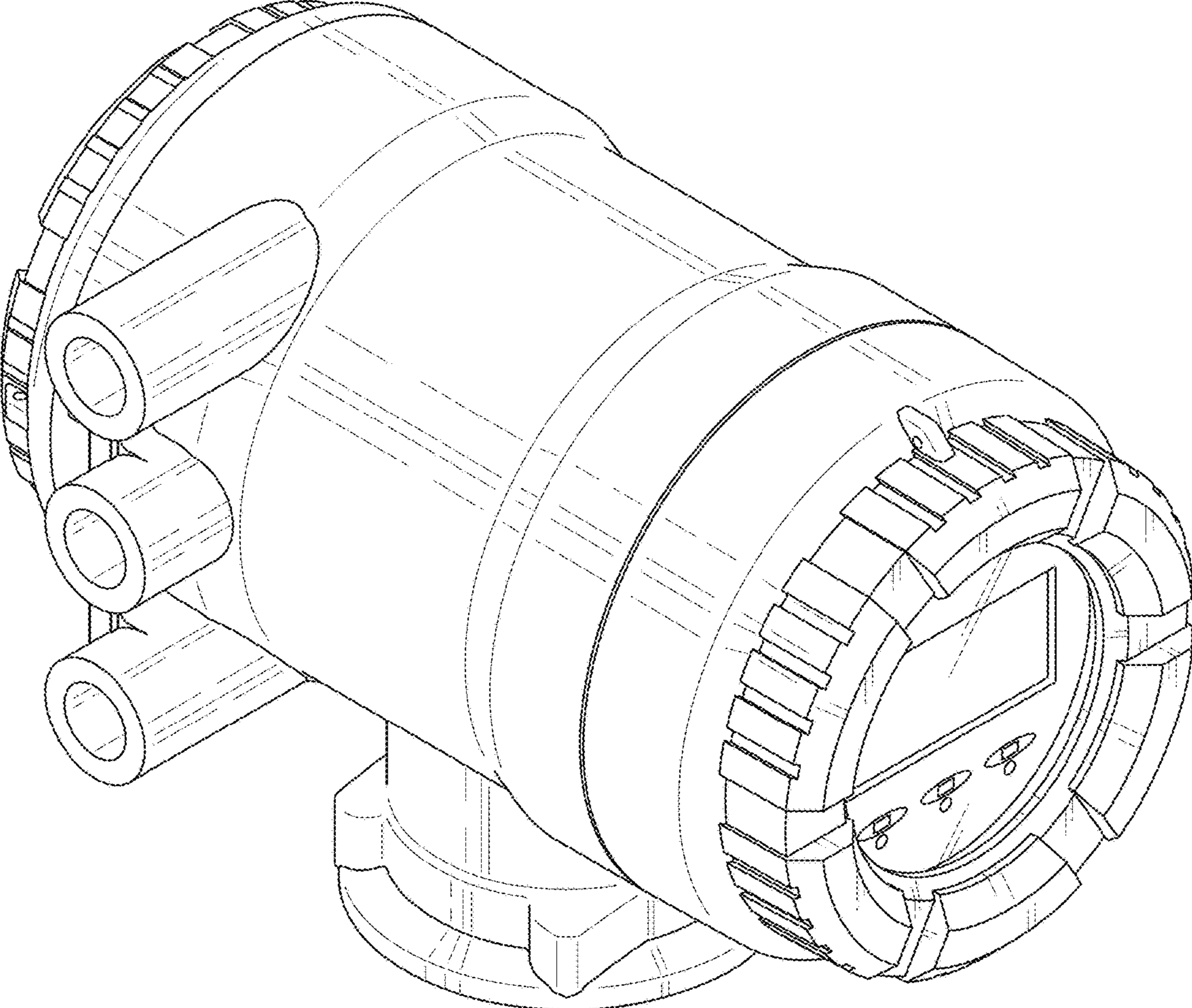


Fig. 2

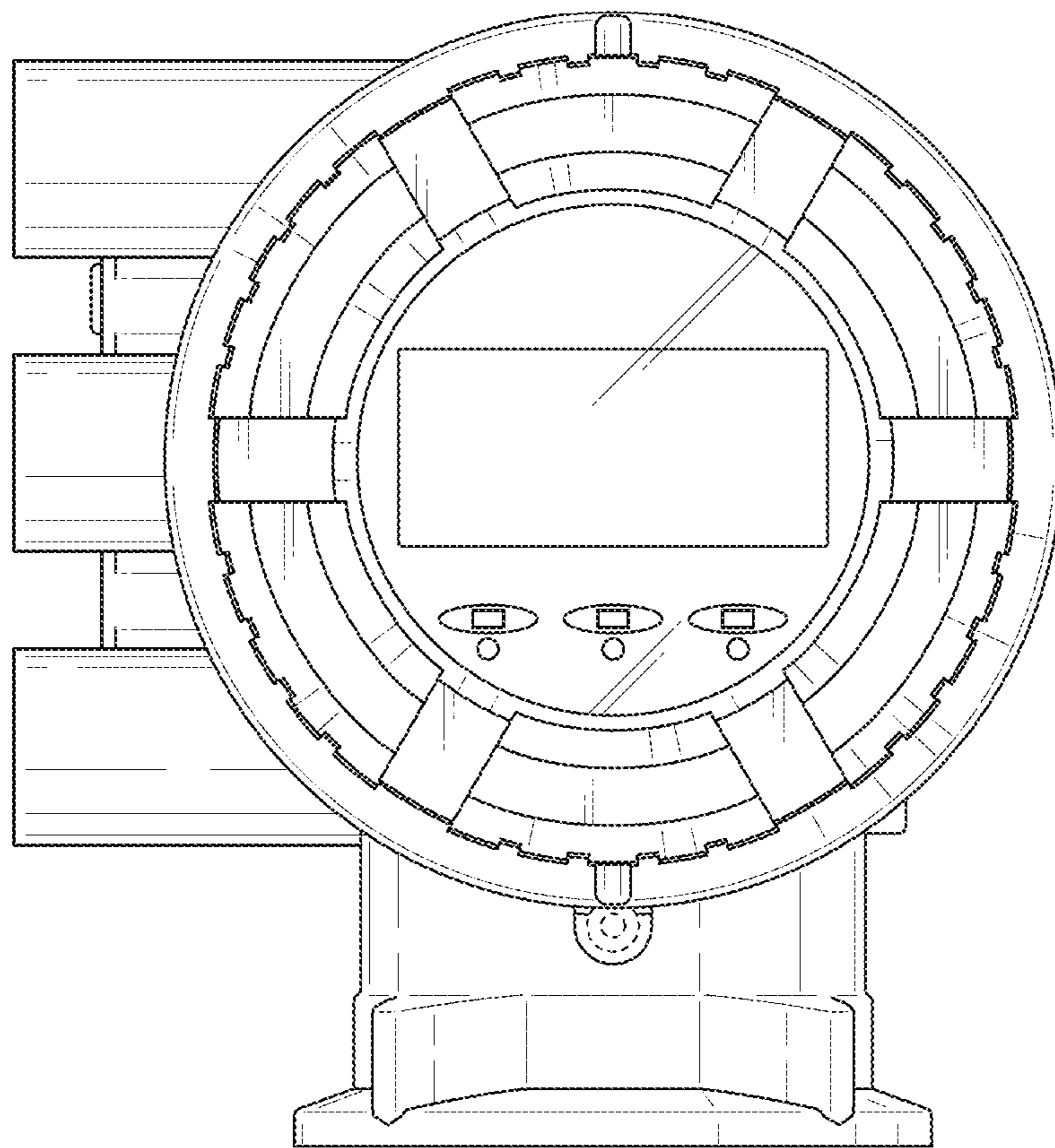


Fig. 3

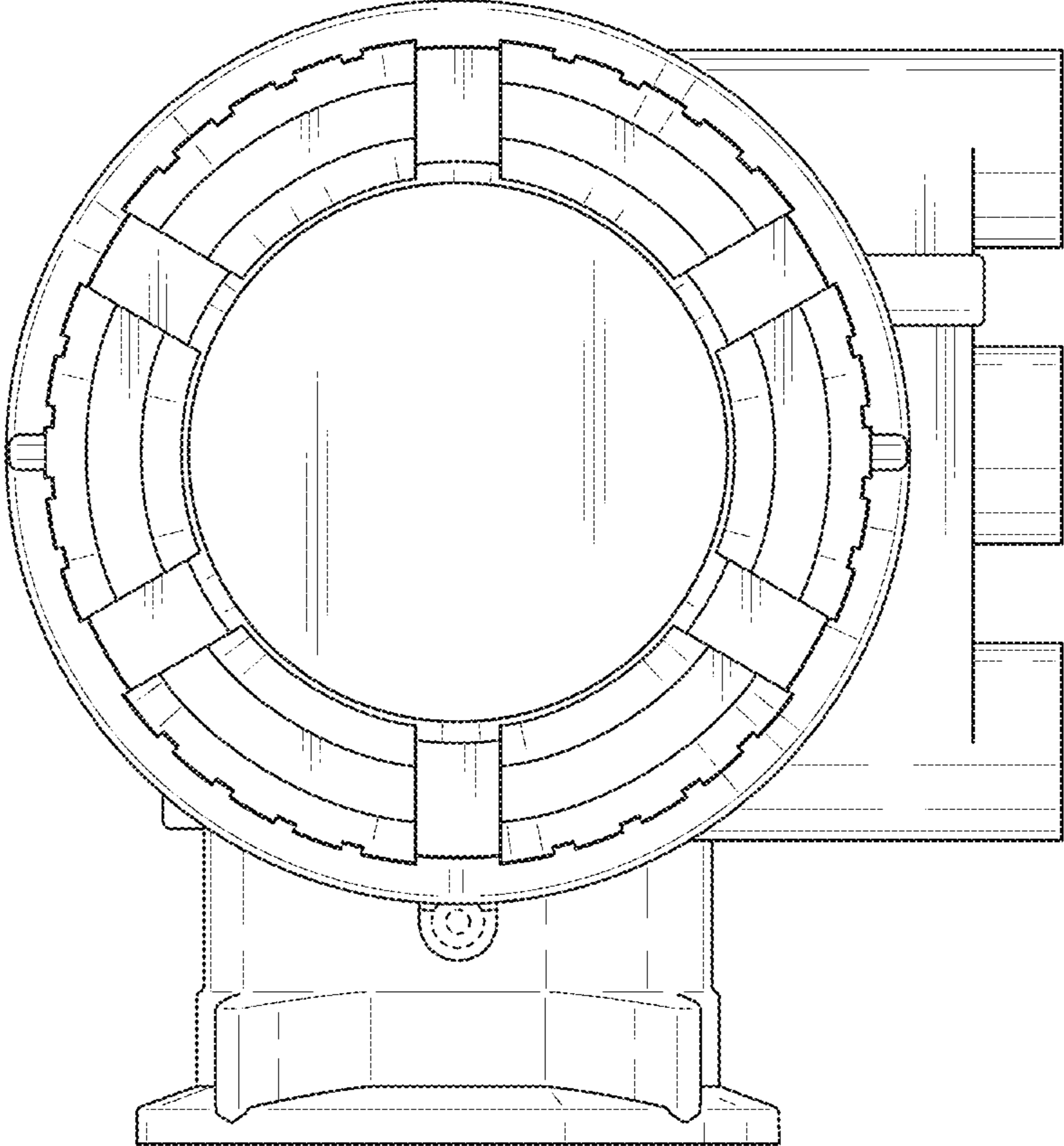


Fig. 4

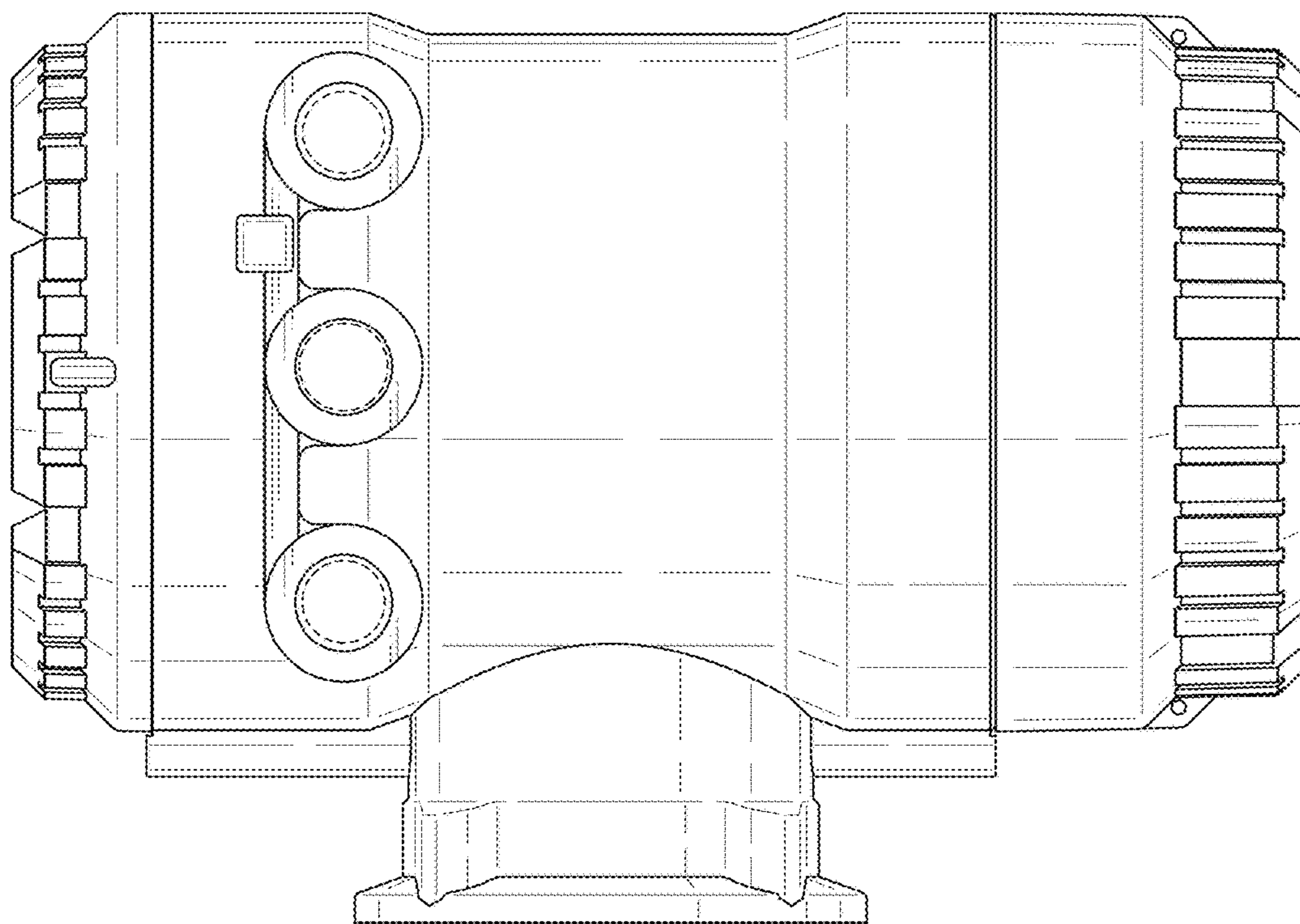


Fig. 5

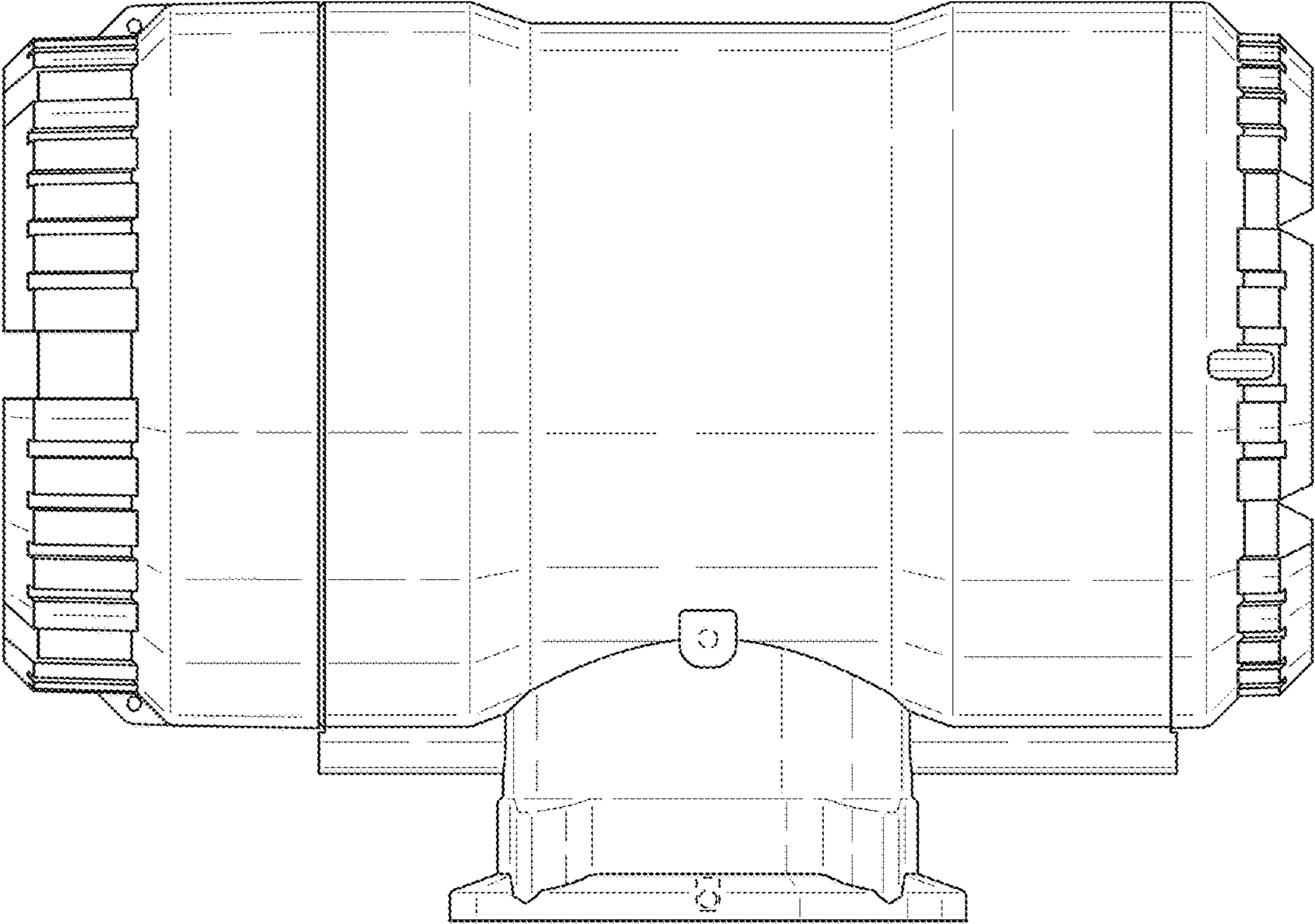


Fig. 6

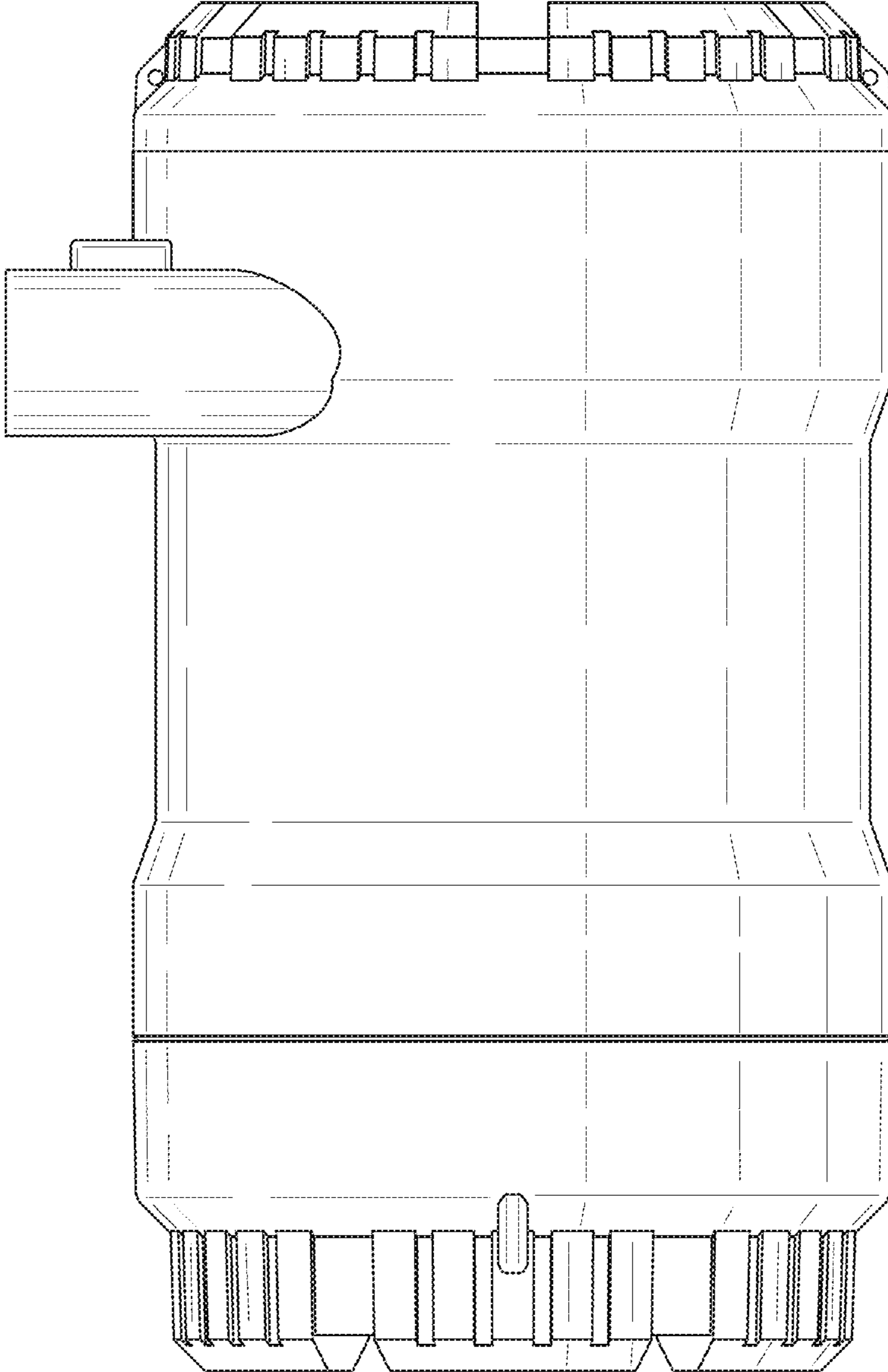


Fig. 7

