

US00D809949S

(12) **United States Design Patent**
Tabata et al.

(10) **Patent No.:** **US D809,949 S**

(45) **Date of Patent:** **** Feb. 13, 2018**

(54) **CONVERTER FOR FLOWMETER**

2021/052; G01N 2021/054; G01N
2021/056; G01N 2021/058

(71) Applicant: **YOKOGAWA ELECTRIC CORPORATION**, Musashino-shi,
Tokyo (JP)

See application file for complete search history.

(72) Inventors: **Hiroki Tabata**, Musashino (JP);
Noriaki Senba, Musashino (JP); **Naoto Takano**,
Musashino (JP); **Takashi Arai**,
Musashino (JP)

(56) **References Cited**

U.S. PATENT DOCUMENTS

D707,577 S * 6/2014 Marx D10/96

* cited by examiner

Primary Examiner — Antoine Duval Davis

(73) Assignee: **Yokogawa Electric Corporation**,
Tokyo (JP)

(74) *Attorney, Agent, or Firm* — Sughrue Mion, PLLC

(**) Term: **15 Years**

(57) **CLAIM**

The ornamental design for a converter for flowmeter, as shown and described.

(21) Appl. No.: **29/582,215**

(22) Filed: **Oct. 26, 2016**

DESCRIPTION

(30) **Foreign Application Priority Data**

Apr. 28, 2016 (JP) 2016-009450

(51) **LOC (11) Cl.** **10-04**

(52) **U.S. Cl.**
USPC **D10/96**

(58) **Field of Classification Search**
USPC D10/96
CPC G01F 1/40; G01F 1/42; G01F 1/44; G01F
1/46; G01F 1/74; G01F 11/003; G01F
11/006; G01N 21/03; G01N 21/05; G01N
2021/0378; G01N 2021/0382; G01N

FIG. 1 is a perspective view of a converter for flowmeter showing our new design;

FIG. 2 is a front view thereof;

FIG. 3 is a rear view thereof;

FIG. 4 is a right side view thereof, the left side view being a mirror image;

FIG. 5 is a top view thereof; and,

FIG. 6 is a bottom view thereof.

The broken lines in the figures are included for the purpose of illustrating the unclaimed portions of the converter for flowmeter and form no part of the claimed design.

1 Claim, 6 Drawing Sheets

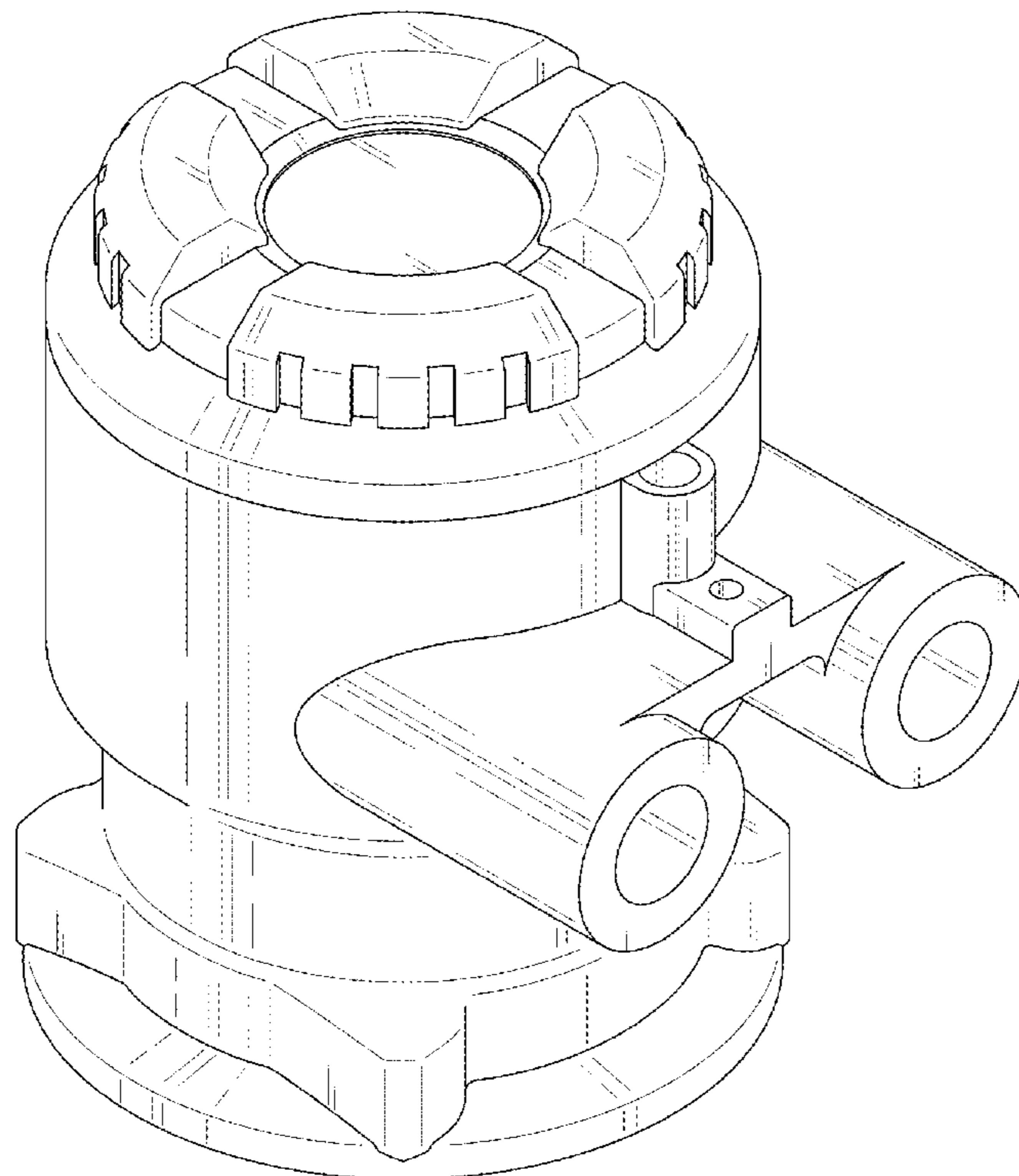


Fig. 1

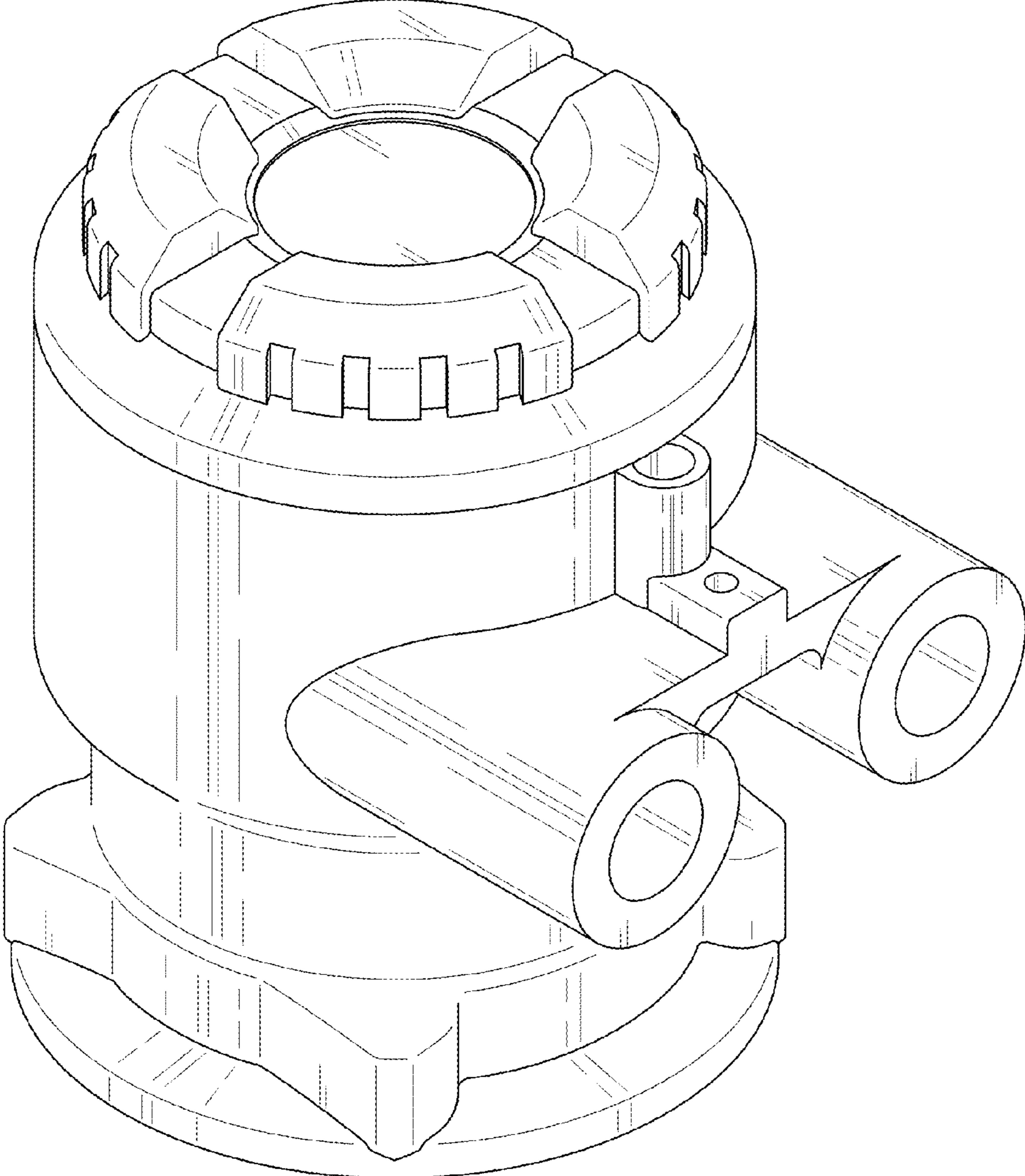


Fig. 2

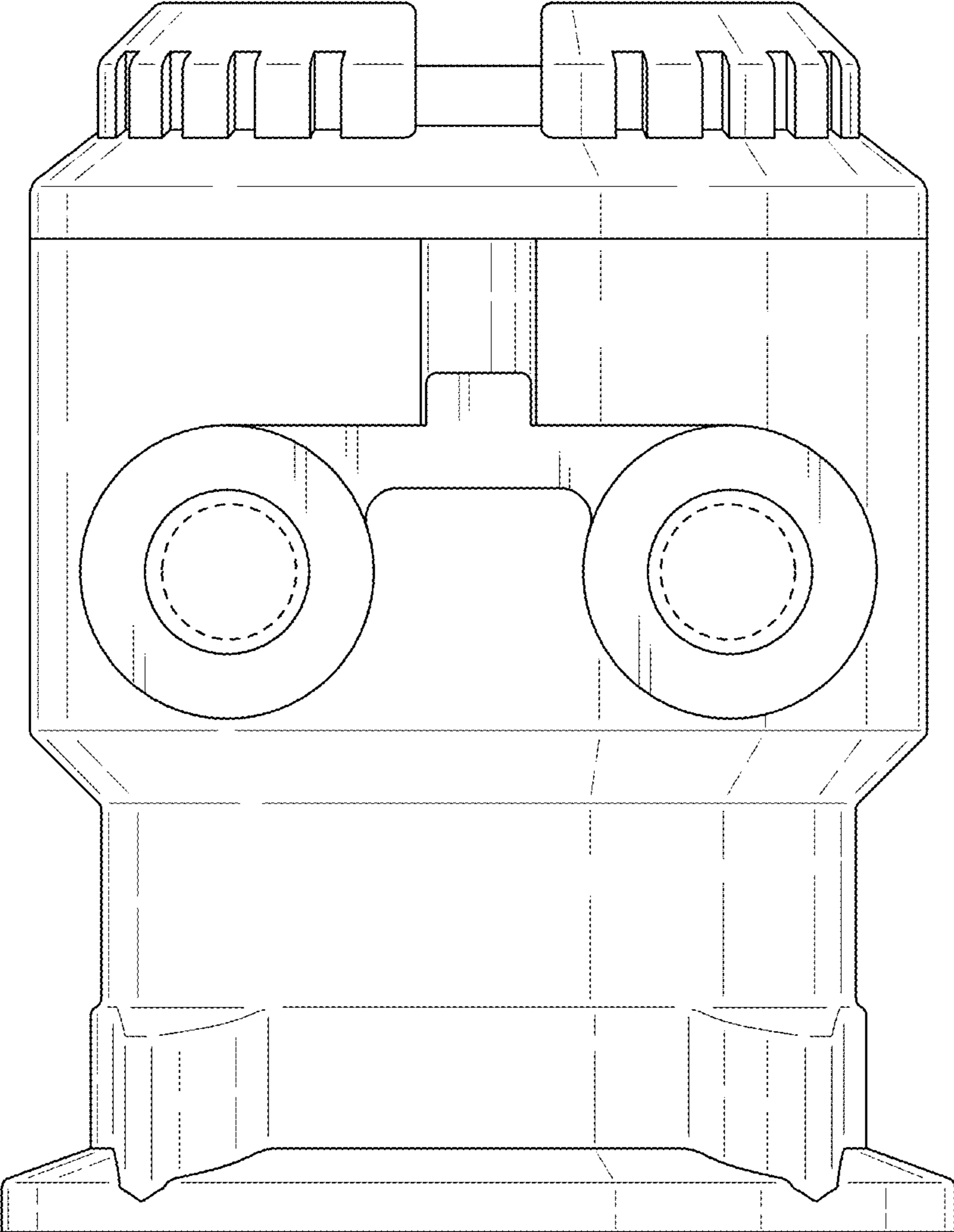


Fig. 3

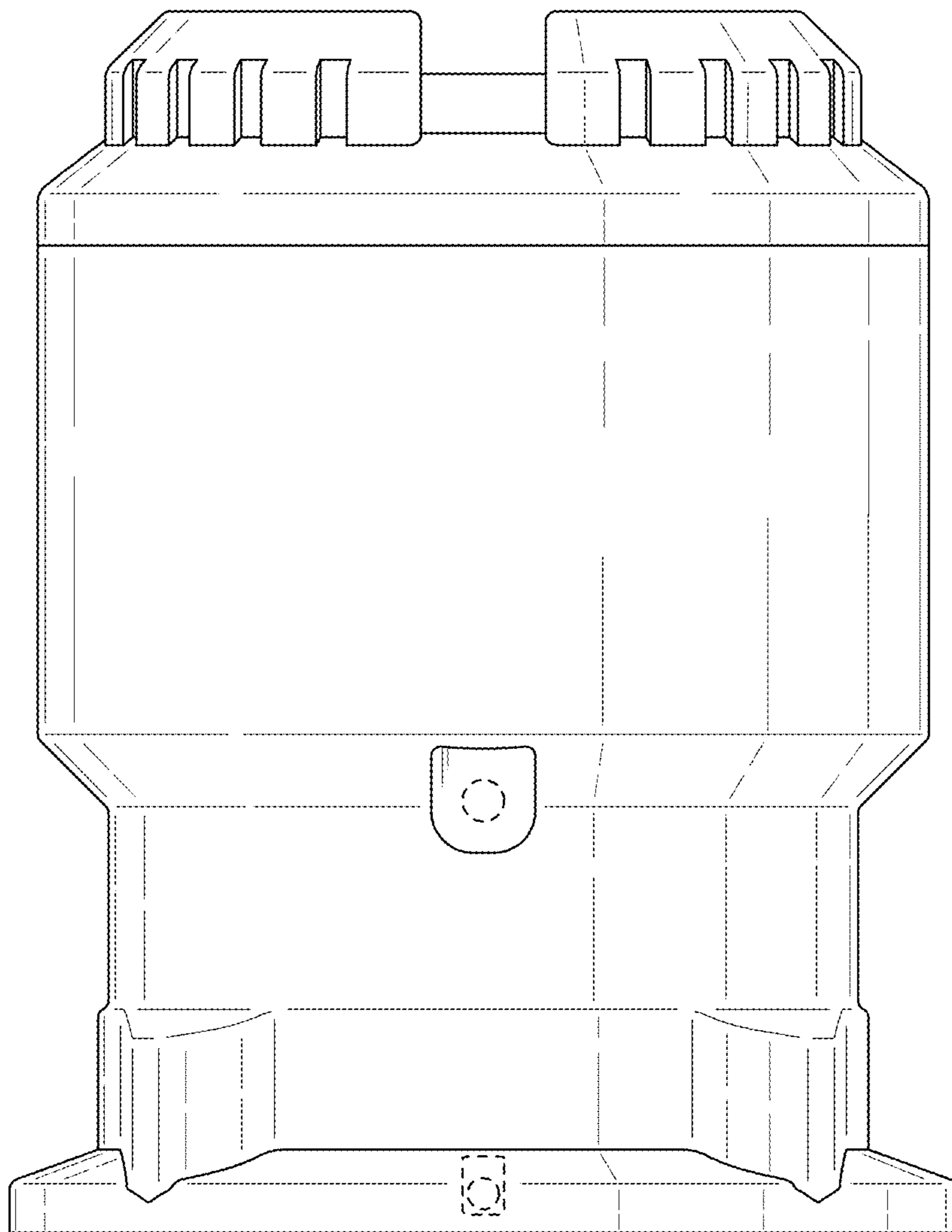


Fig. 4

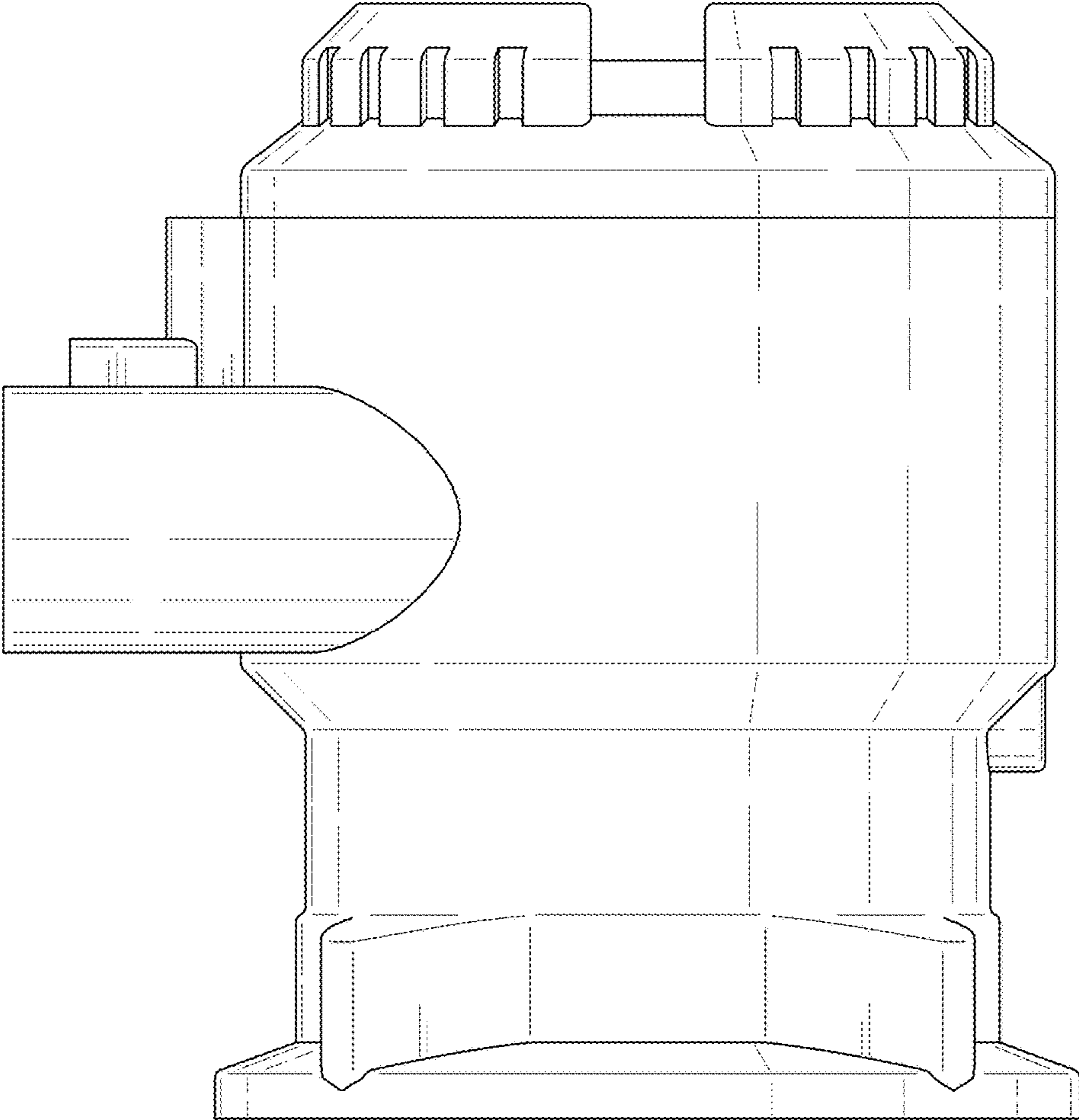


Fig. 5

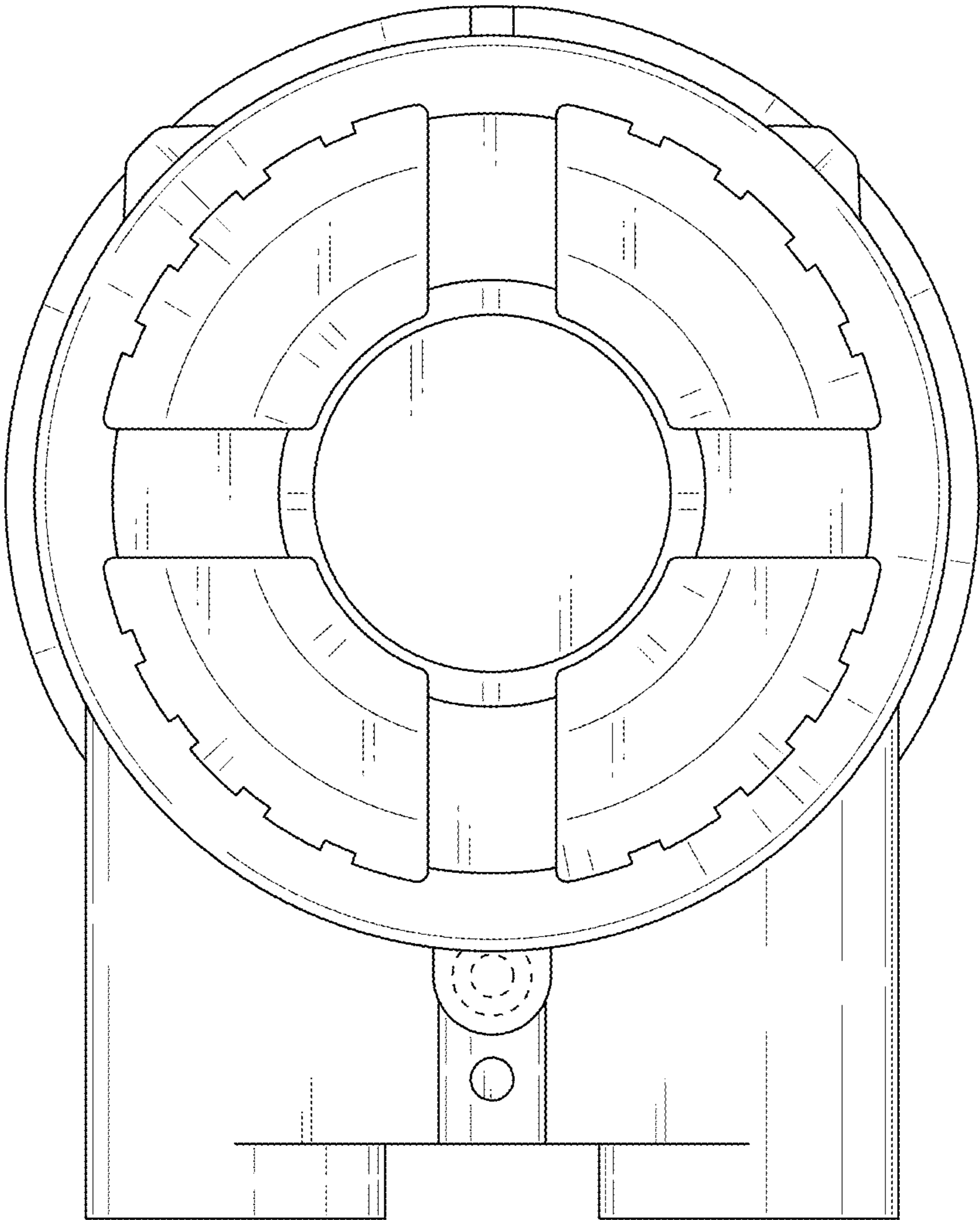


Fig. 6

