



US00D809945S

(12) **United States Design Patent**
Prommel et al.

(10) **Patent No.:** **US D809,945 S**

(45) **Date of Patent:** **** Feb. 13, 2018**

(54) **THERMOMETER**

(71) Applicant: **Helen of Troy Limited**, Belleville, St. Michael (BB)

(72) Inventors: **Mark Prommel**, Brooklyn, NY (US); **Marco Perry**, Brooklyn, NY (US); **Pil Ho Chung**, Palisades Park, NJ (US); **Jacob Sanchez**, Brooklyn, NY (US); **Adem Önalán**, New York, NY (US); **Matthew Dolph**, New York, NY (US)

(73) Assignee: **Helen of Troy Limited**, Belleville, St. Michael (BB)

(**) Term: **15 Years**

(21) Appl. No.: **29/583,210**

(22) Filed: **Nov. 3, 2016**

(51) **LOC (11) Cl.** **10-04**

(52) **U.S. Cl.**
USPC **D10/57**

(58) **Field of Classification Search**
USPC D10/57
CPC G01K 1/02; G01K 1/022; G01K 1/024;
G01K 1/08; G01K 1/083; G01K 1/086;
G01K 3/00-3/14; G01K 2003/145; G01K
13/002; G01K 13/004; G01K 2219/00;
G01K 5/04-5/225; G01K 5/22; G01K
221/00

See application file for complete search history.

(56) **References Cited**

U.S. PATENT DOCUMENTS

D299,812 S * 2/1989 Sakaguchi D10/57
D330,169 S * 10/1992 Yajima D10/57
D421,925 S * 3/2000 Lin D10/57

D723,952 S * 3/2015 Gross D10/57
D751,932 S * 3/2016 Chong D10/57
D795,100 S * 8/2017 Alla D10/57
D795,101 S * 8/2017 Alla D10/57

* cited by examiner

Primary Examiner — Antoine Duval Davis

(74) *Attorney, Agent, or Firm* — Rankin, Hill & Clark LLP

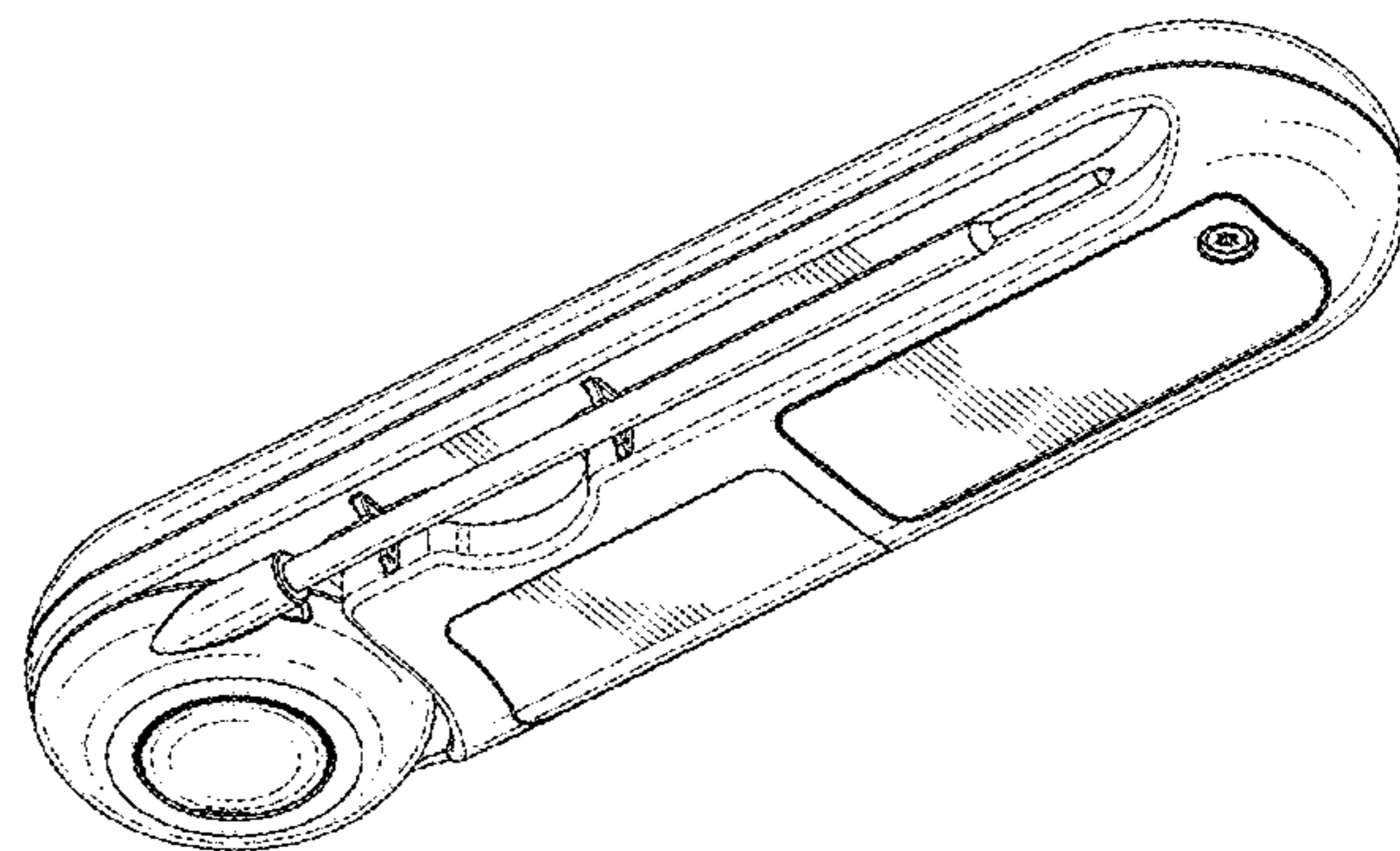
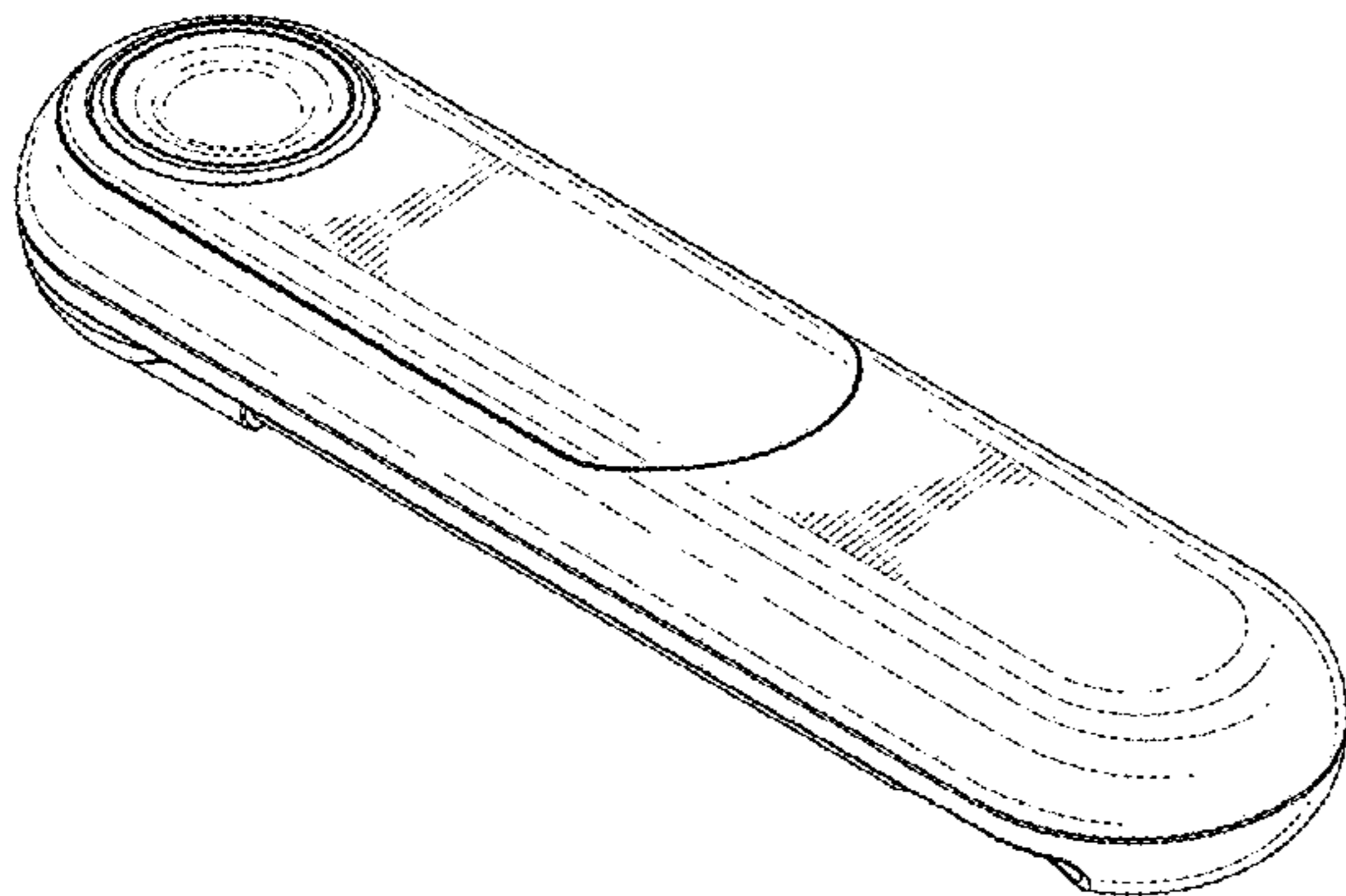
(57) **CLAIM**

The ornamental design for a thermometer, as shown and described.

DESCRIPTION

FIG. 1 is an upper perspective view of a thermometer with a probe in a first position;
FIG. 2 is a lower perspective view thereof;
FIG. 3 is a left side elevation view thereof;
FIG. 4 is a right side elevation view thereof;
FIG. 5 is a front elevation view thereof;
FIG. 6 is a rear elevation view thereof;
FIG. 7 is a top plan view thereof;
FIG. 8 is a bottom plan view thereof;
FIG. 9 is an upper perspective view of the thermometer with a probe in a second position;
FIG. 10 is a lower perspective view thereof;
FIG. 11 is a left side elevation view thereof;
FIG. 12 is a right side elevation view thereof;
FIG. 13 is a front elevation view thereof;
FIG. 14 a rear elevation view thereof;
FIG. 15 is a top plan view thereof;
FIG. 16 is a bottom plan view thereof;
FIG. 17 is an upper perspective view of the thermometer with a probe in a third position;
FIG. 18 is a lower perspective view thereof; and,
FIG. 19 is a bottom plan view thereof.

1 Claim, 13 Drawing Sheets



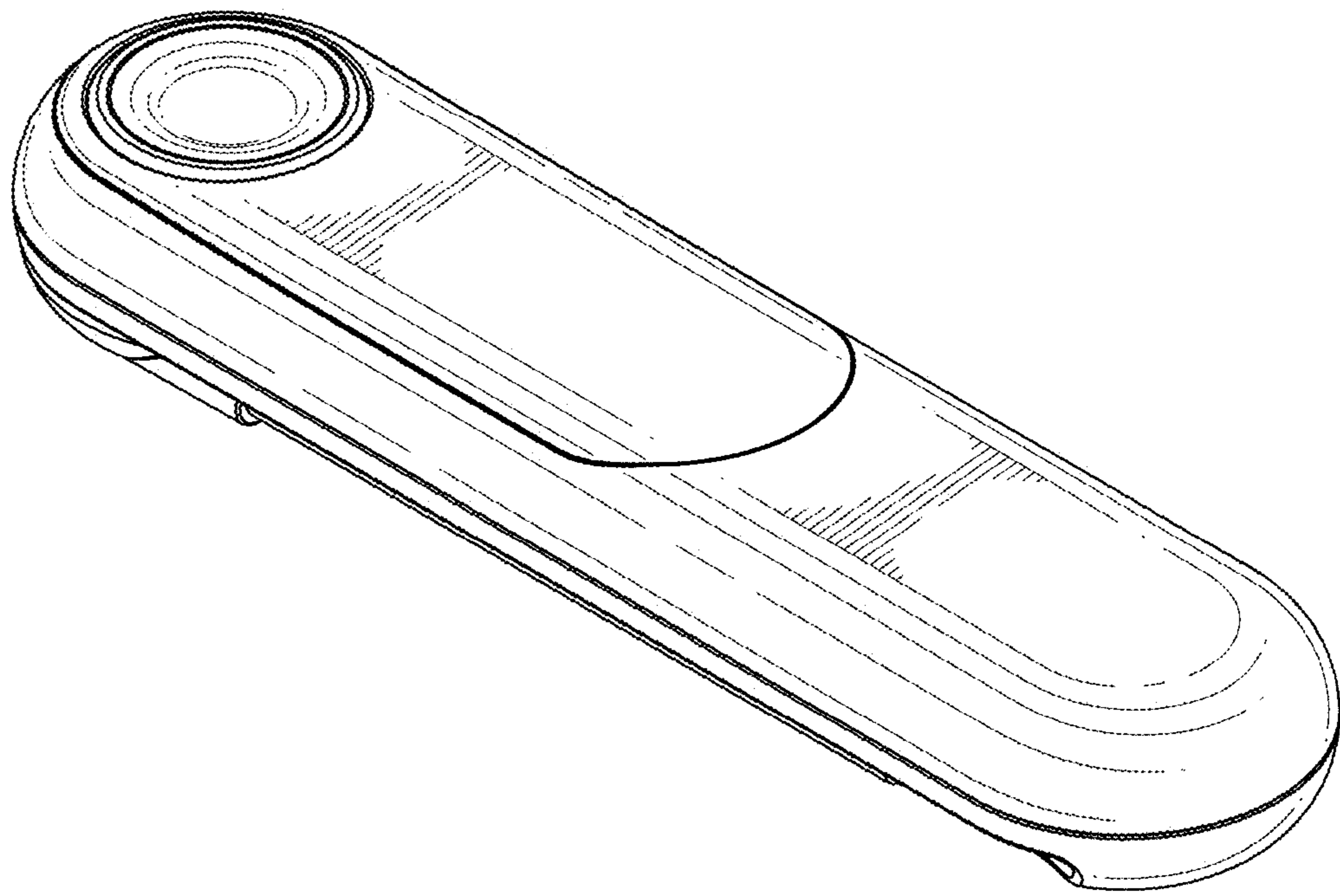


FIG. 1

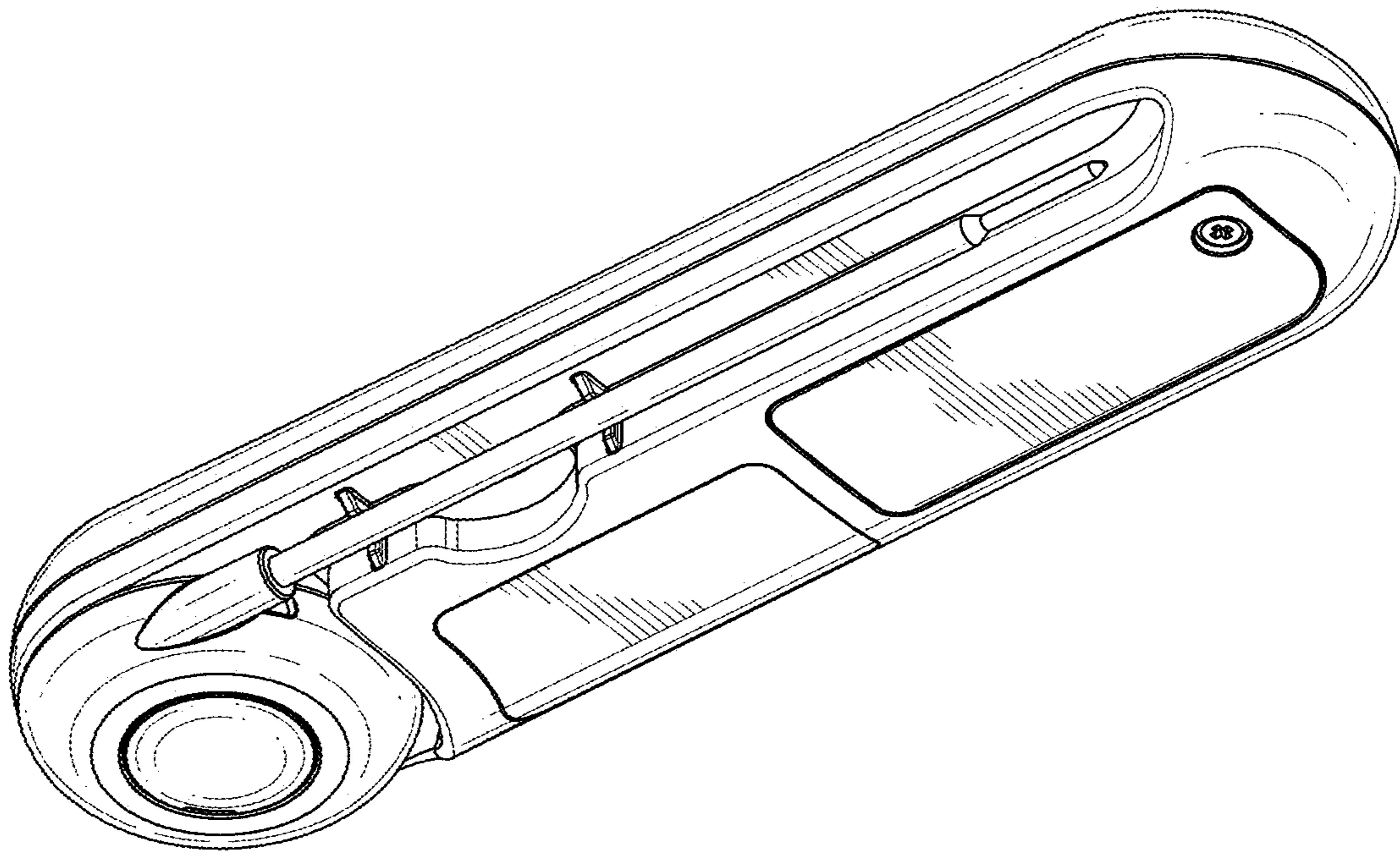


FIG. 2

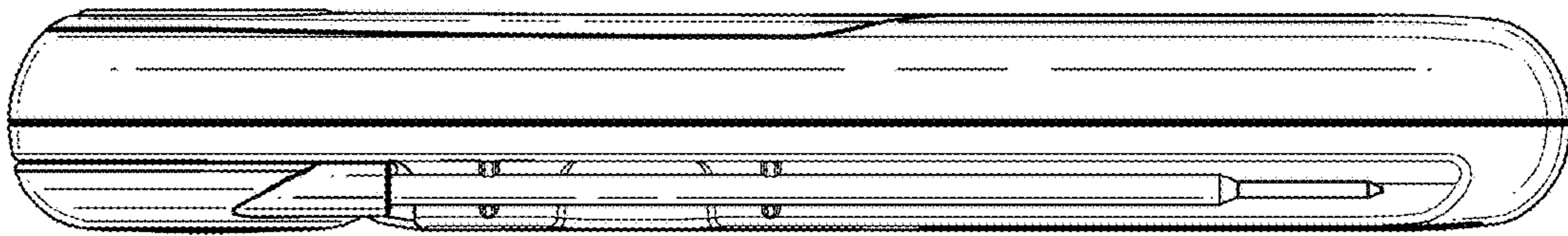


FIG. 3

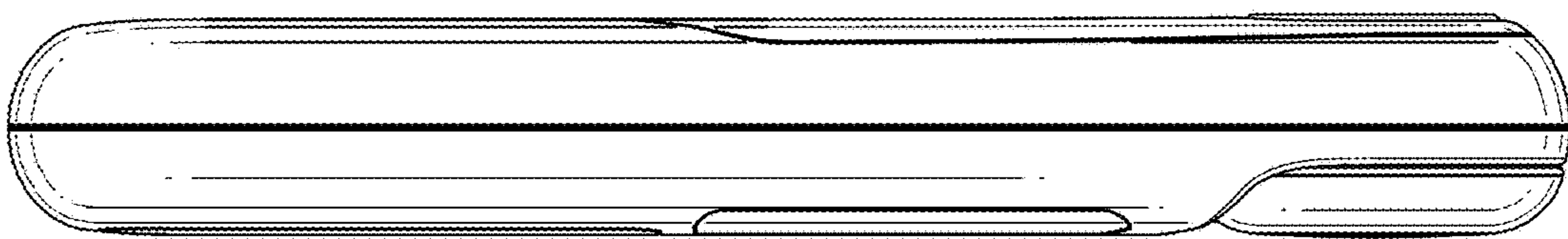


FIG. 4



FIG. 5



FIG. 6

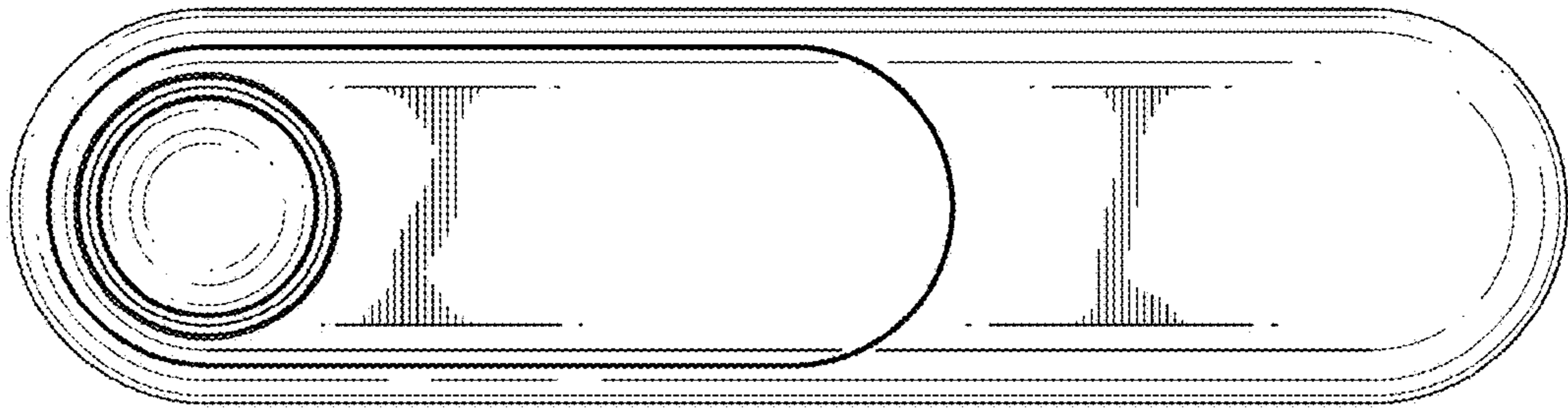


FIG. 7

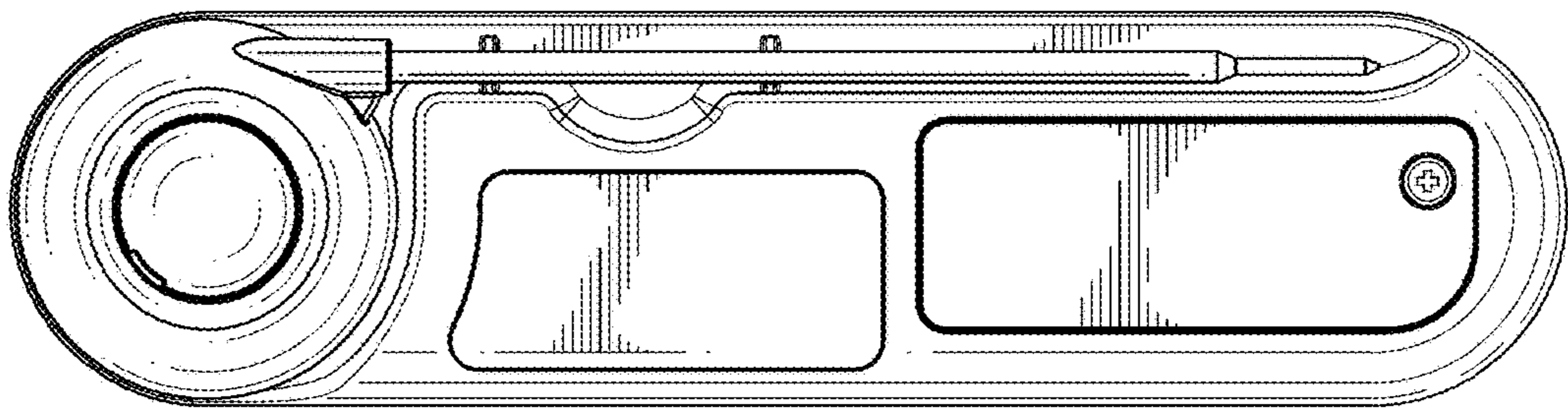


FIG. 8

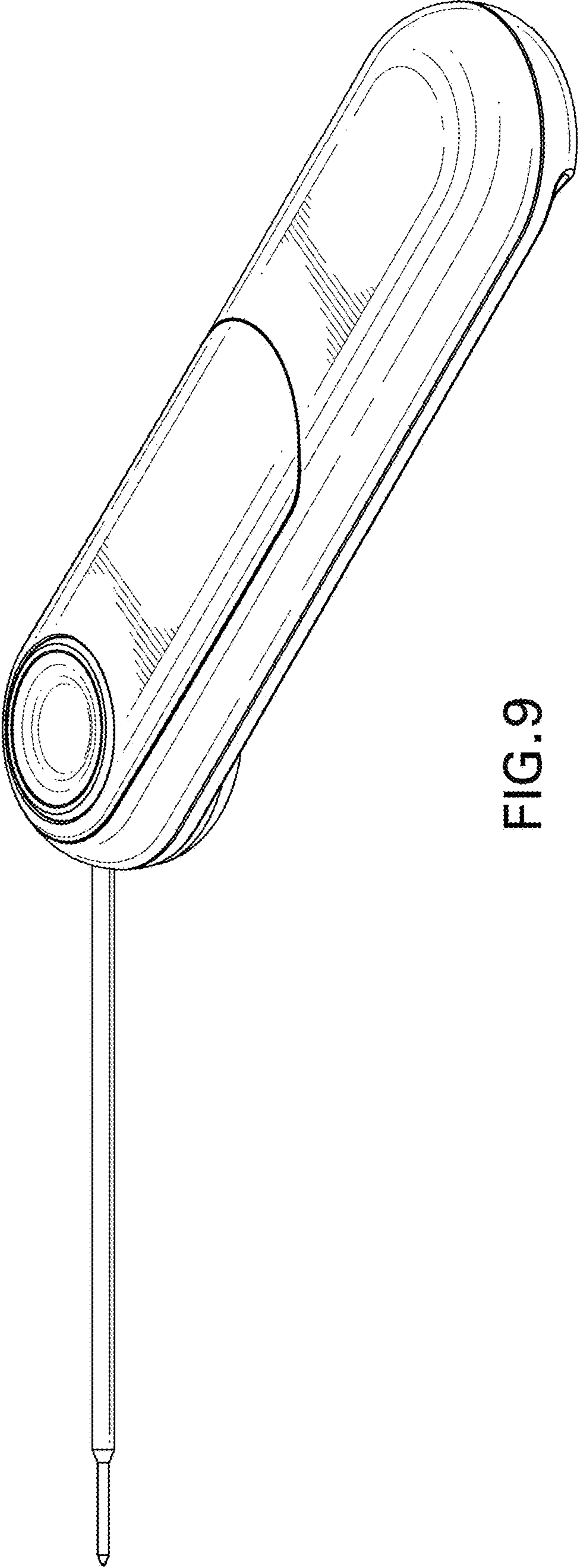


FIG. 9

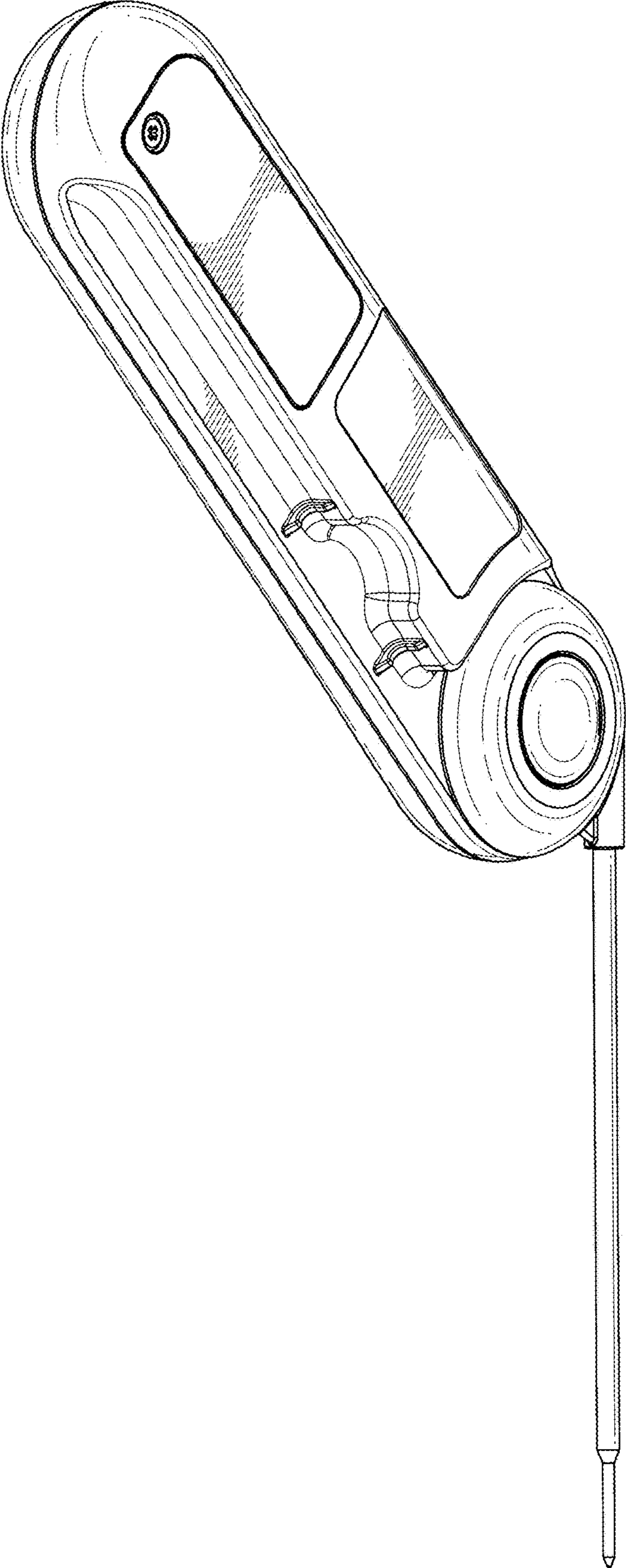


FIG. 10

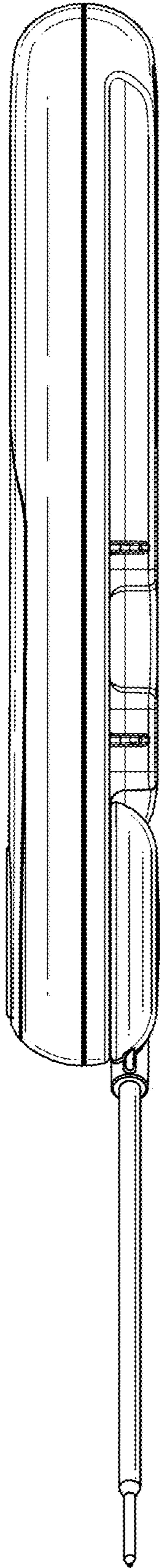


FIG. 11

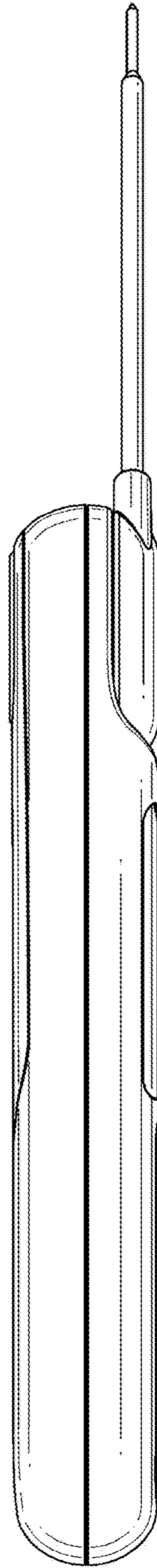


FIG. 12

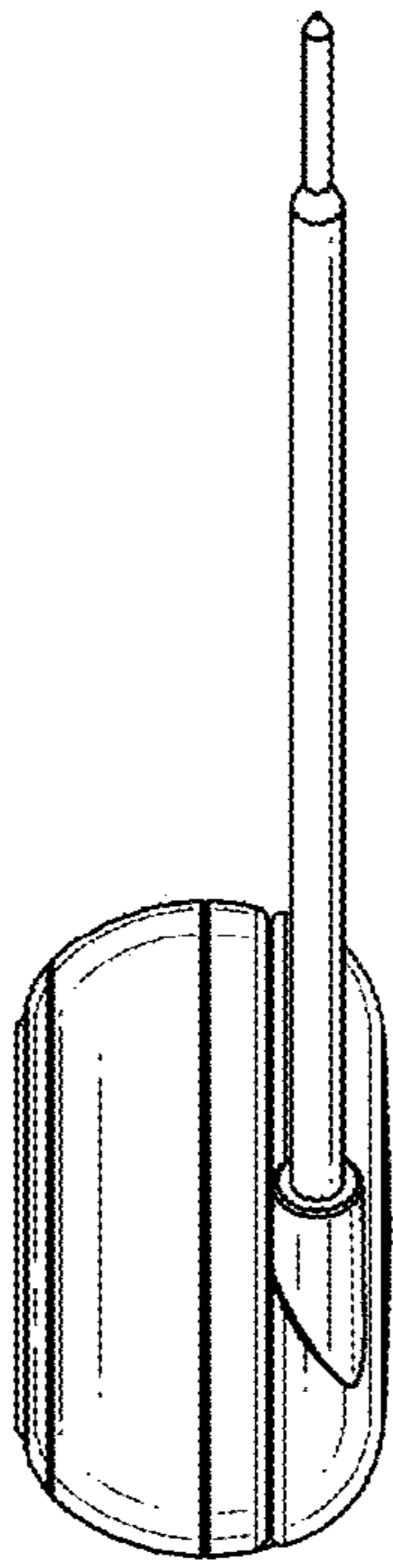


FIG. 13

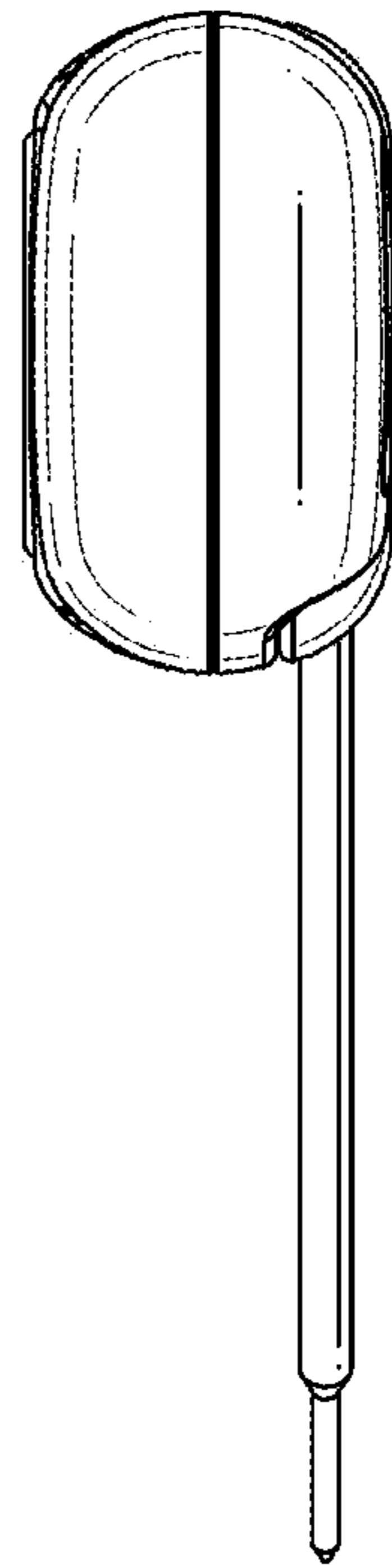


FIG. 14

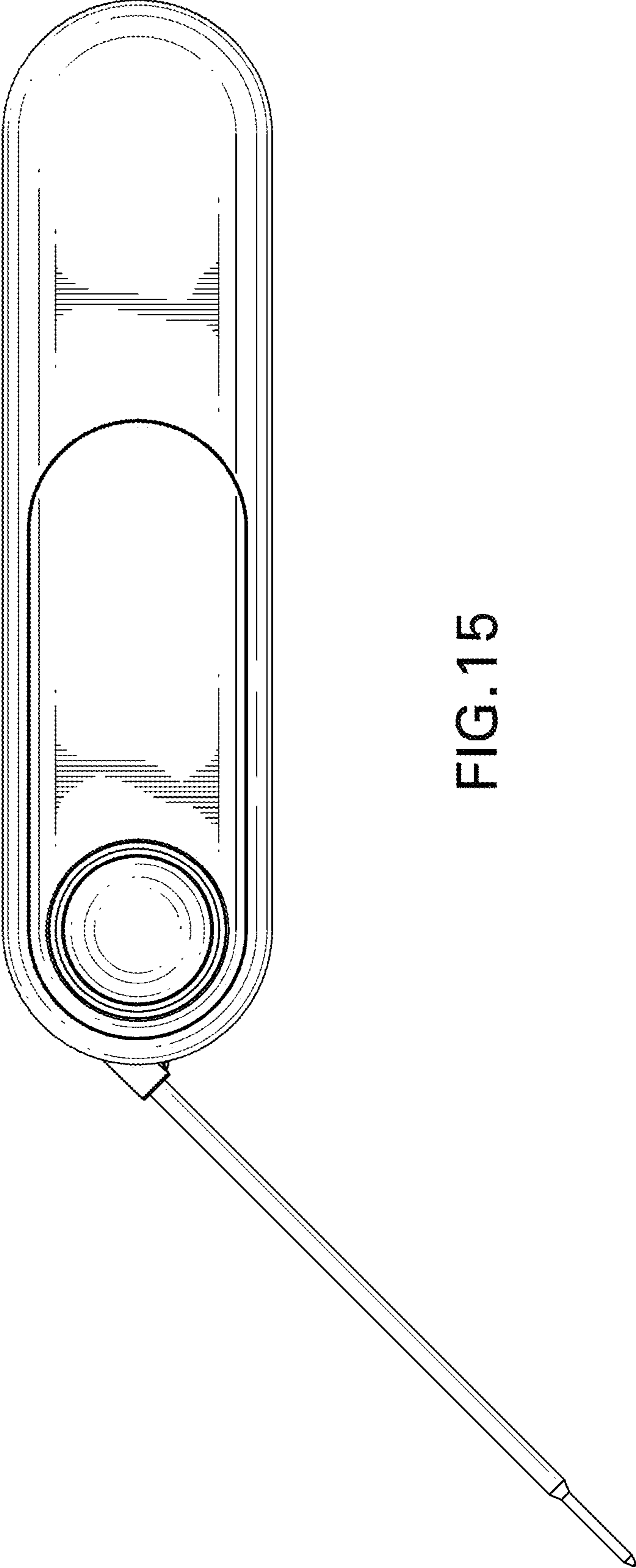


FIG.15

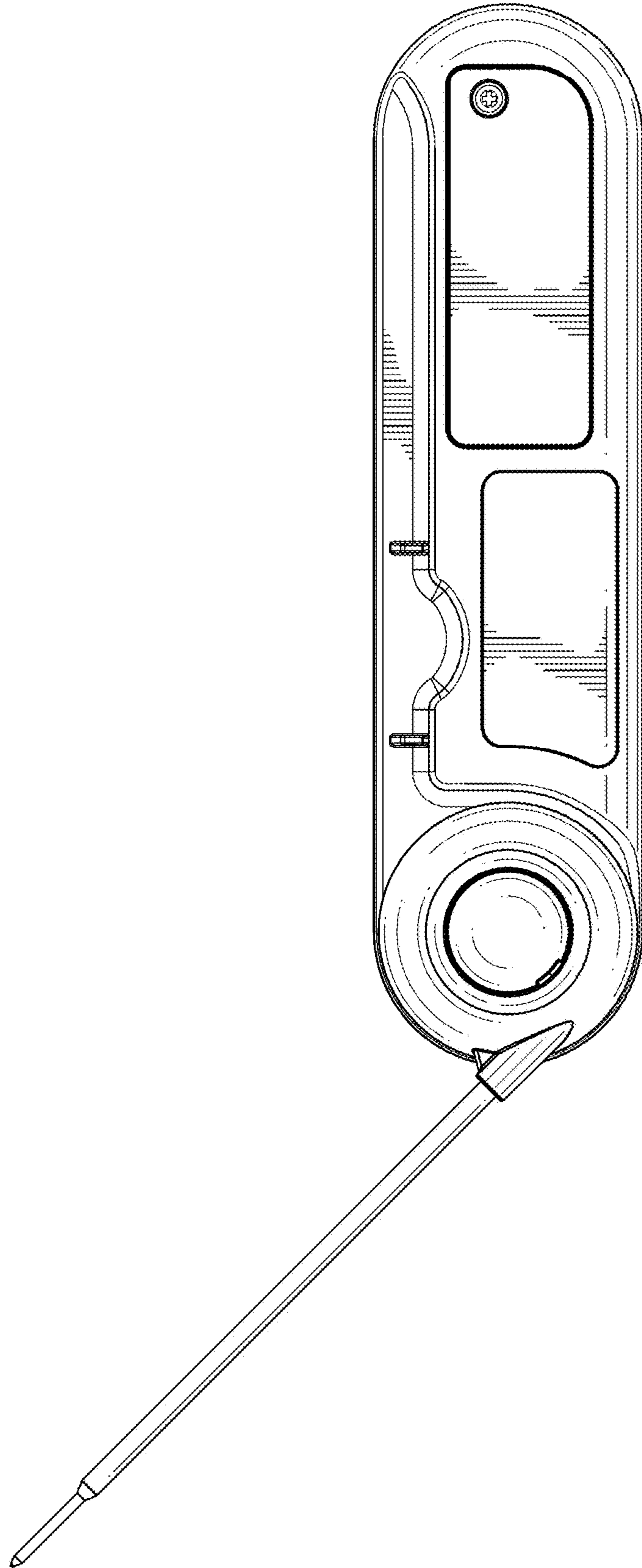


FIG. 16

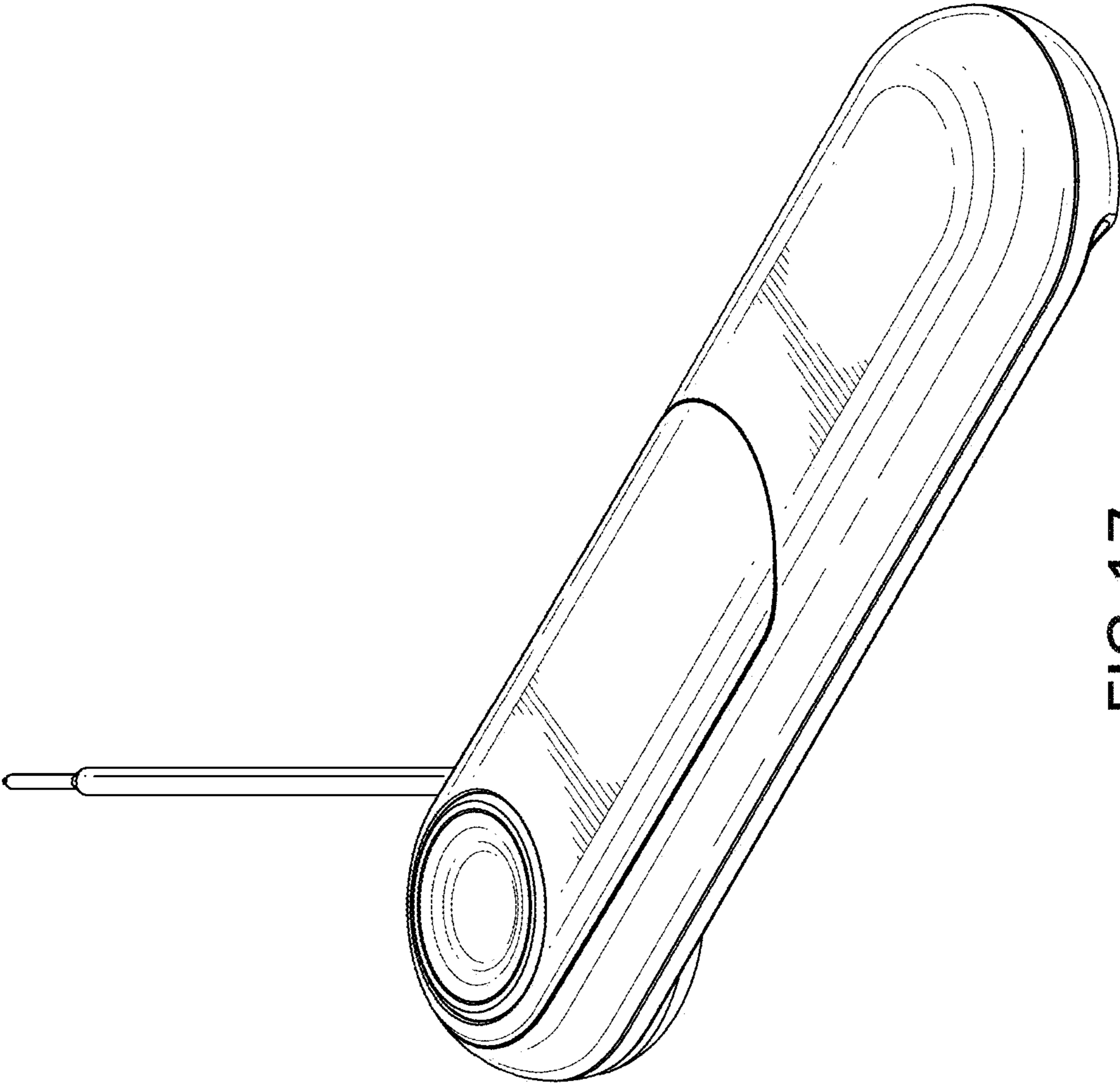


FIG.17

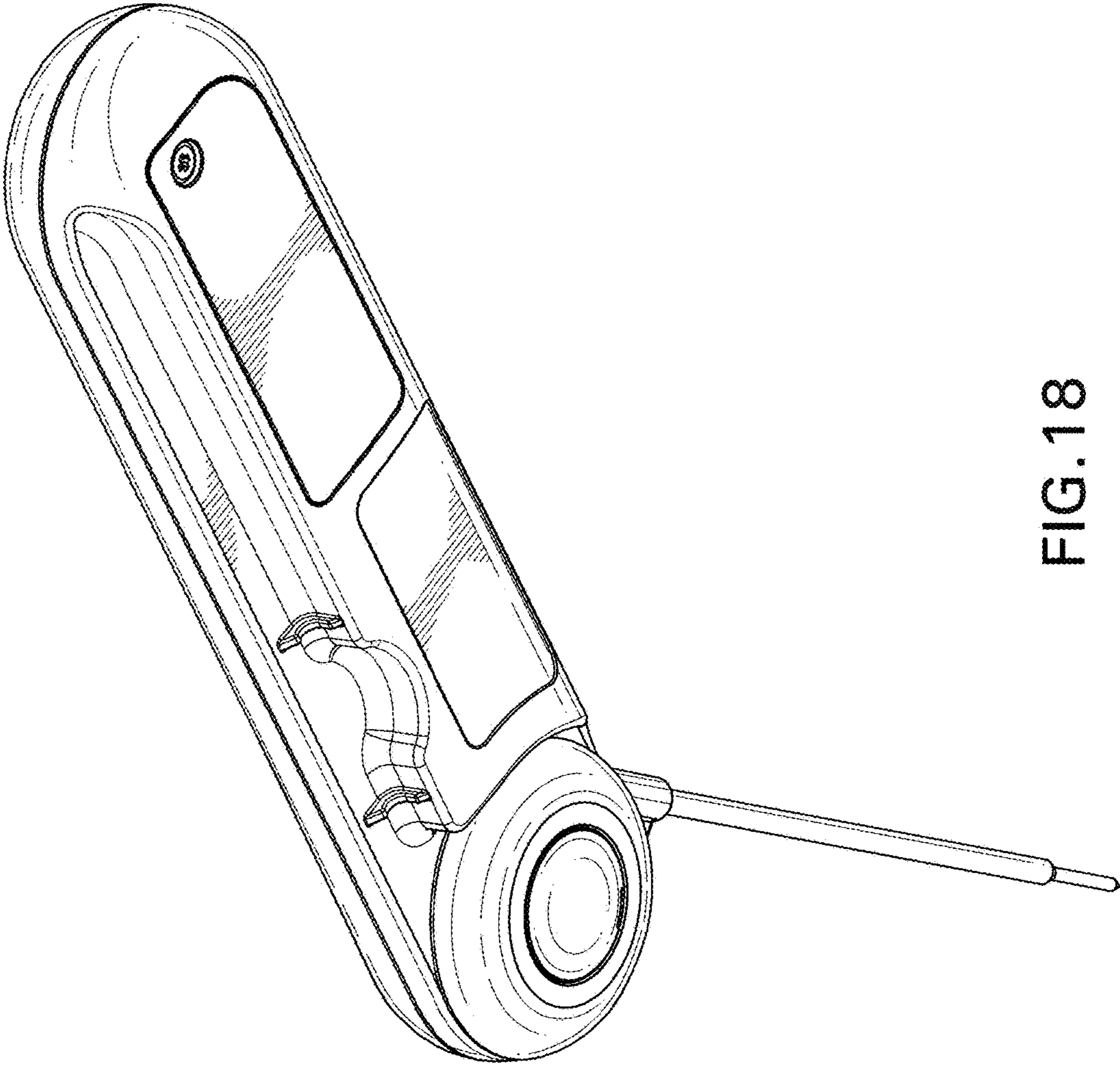


FIG.18

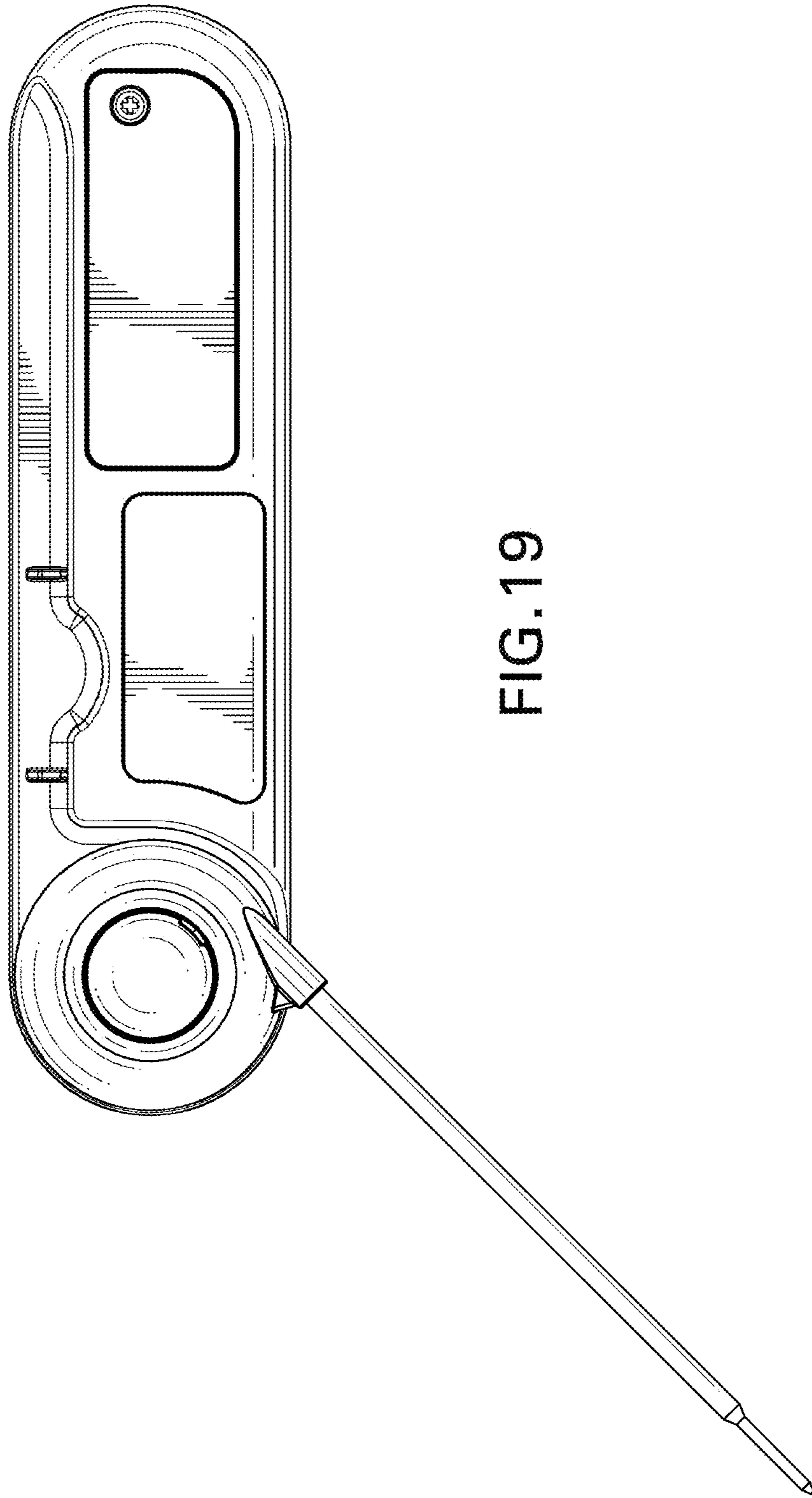


FIG. 19