



US00D809940S

(12) **United States Design Patent** (10) **Patent No.:** **US D809,940 S**
Babcock et al. (45) **Date of Patent:** **** Feb. 13, 2018**

(54) **WATCH**
(71) Applicant: **NIXON, INC.**, Encinitas, CA (US)
(72) Inventors: **Joe Babcock**, Encinitas, CA (US);
Tyson White, Encinitas, CA (US)
(73) Assignee: **Nixon, Inc.**, Encinitas, CA (US)
(**) Term: **15 Years**
(21) Appl. No.: **29/576,550**
(22) Filed: **Sep. 3, 2016**

D506,685 S * 6/2005 Yamamoto D10/32
D509,150 S * 9/2005 Bodino D10/32
D519,851 S * 5/2006 Seyr D10/31
D520,384 S * 5/2006 Scheufele D10/39
D569,276 S * 5/2008 Scheufele D10/39
7,575,366 B2 * 8/2009 Cretin G04B 3/048
368/187
D599,219 S * 9/2009 Fontana D10/39
D612,750 S * 3/2010 Fontana D10/39
D668,967 S * 10/2012 Duport D10/32
D668,971 S * 10/2012 Tedeschi D10/39
D705,671 S * 5/2014 Mijatovic D10/32
D716,670 S * 11/2014 Ghielmini D10/32
2009/0046542 A1 * 2/2009 Saunier G04B 3/045
368/288

* cited by examiner

Related U.S. Application Data

(63) Continuation-in-part of application No. 29/492,543,
filed on May 30, 2014, now abandoned.
(51) **LOC (11) Cl.** **10-02**
(52) **U.S. Cl.**
USPC **D10/39**
(58) **Field of Classification Search**
USPC D10/30-39, 65, 70, 78, 97, 98; D11/3;
D14/344; D24/167-168, 186
CPC G04B 19/00-19/34; G04B 23/12; G04B
37/00-37/228; G04B 47/00-47/068;
G01C 17/00; G01C 21/00-21/3697;
G01C 22/00-22/025; G06F 19/3481
See application file for complete search history.

Primary Examiner — Sandra S Snapp
Assistant Examiner — Katherine Glennon
(74) *Attorney, Agent, or Firm* — Northstar Law Group;
Thomas J. Bassolino

(57) **CLAIM**

The ornamental design for a watch, as shown and described.

DESCRIPTION

FIG. 1 is a front right perspective view of a watch showing our new design;
FIG. 2 is a front elevated view thereof;
FIG. 3 is a back elevated view thereof;
FIG. 4 is a left side view thereof;
FIG. 5 is a right side view thereof;
FIG. 6 is a top view thereof; and,
FIG. 7 is a bottom view thereof.

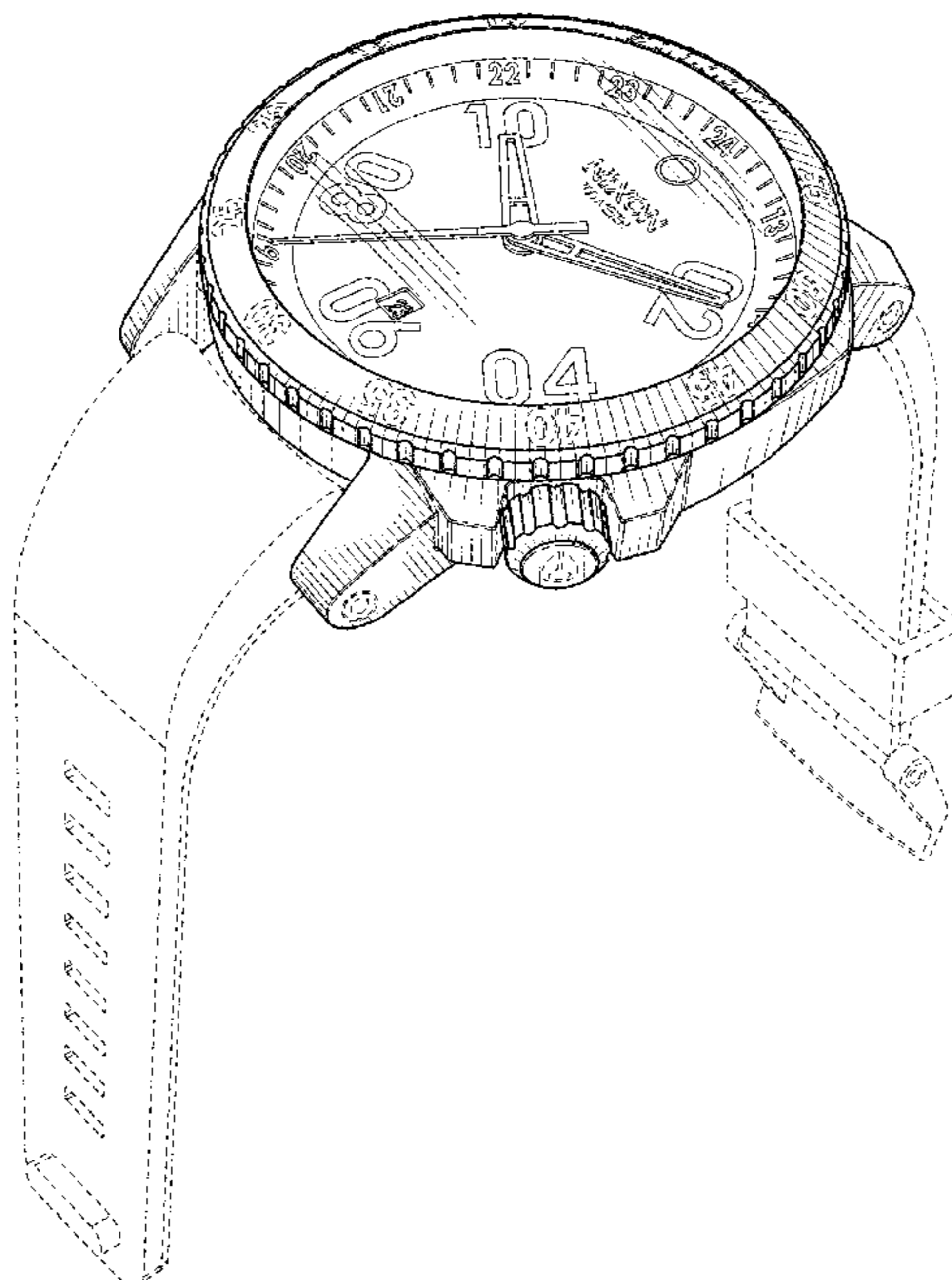
The evenly-spaced broken lines showing the watch strap and clasp are for environmental purposes only and form no part of the claimed design.

1 Claim, 5 Drawing Sheets

(56) **References Cited**

U.S. PATENT DOCUMENTS

5,255,248 A * 10/1993 Goodmon G04B 19/28
368/108
D356,961 S * 4/1995 Giardiello D10/30
D391,176 S * 2/1998 Bulgari D10/30
D416,498 S * 11/1999 Blondin D10/39



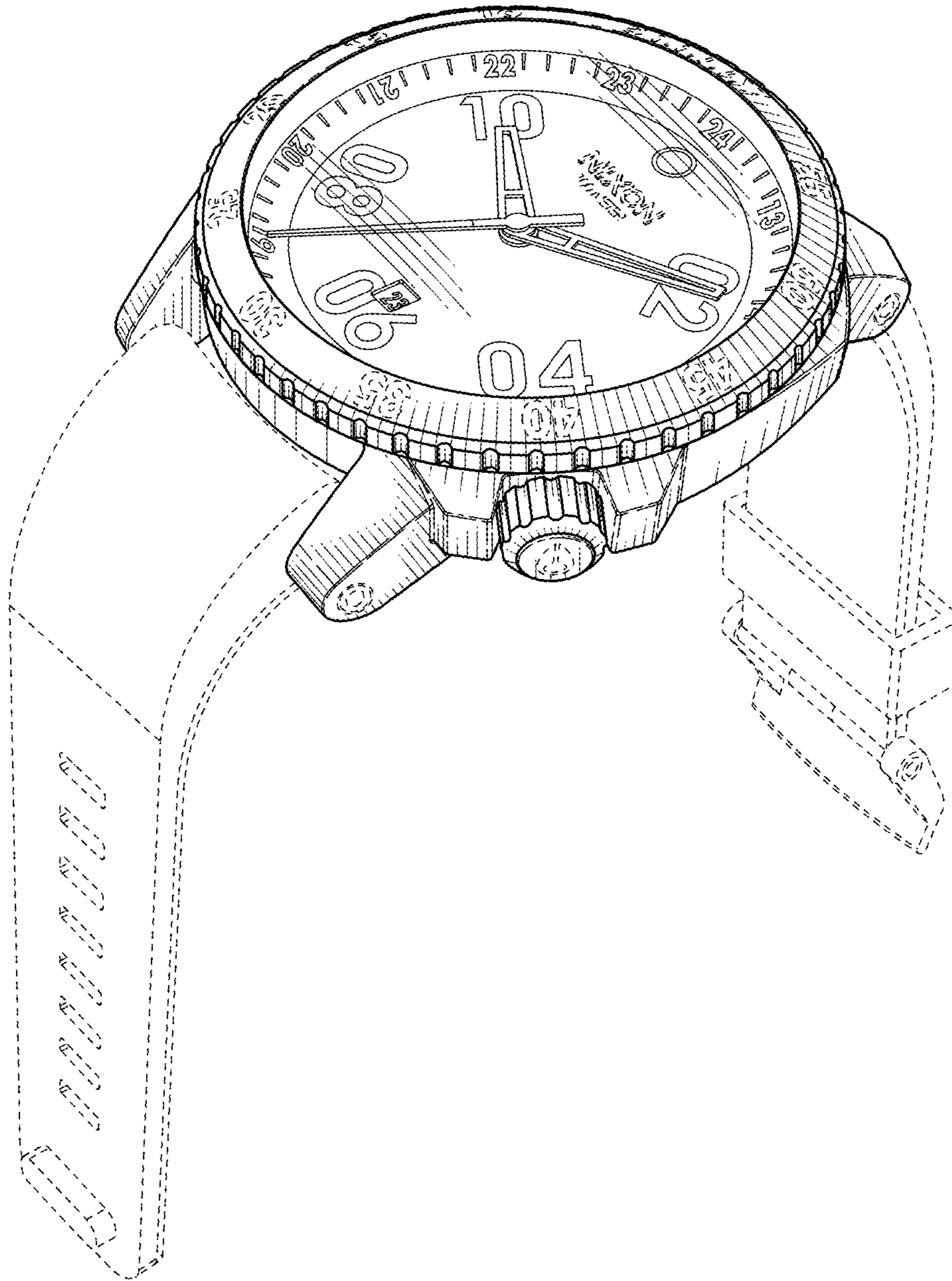


FIG. 1

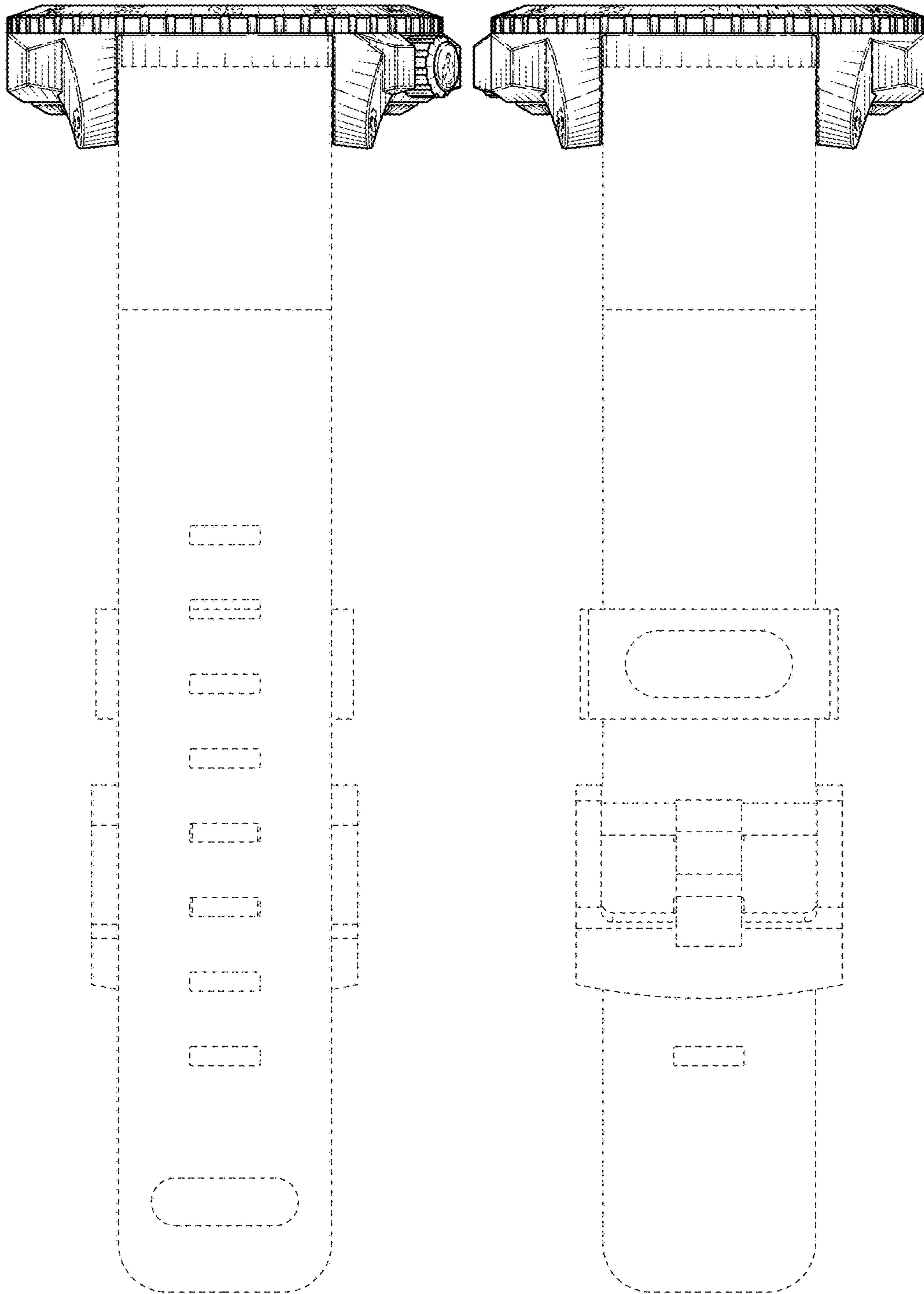


FIG. 2

FIG. 3

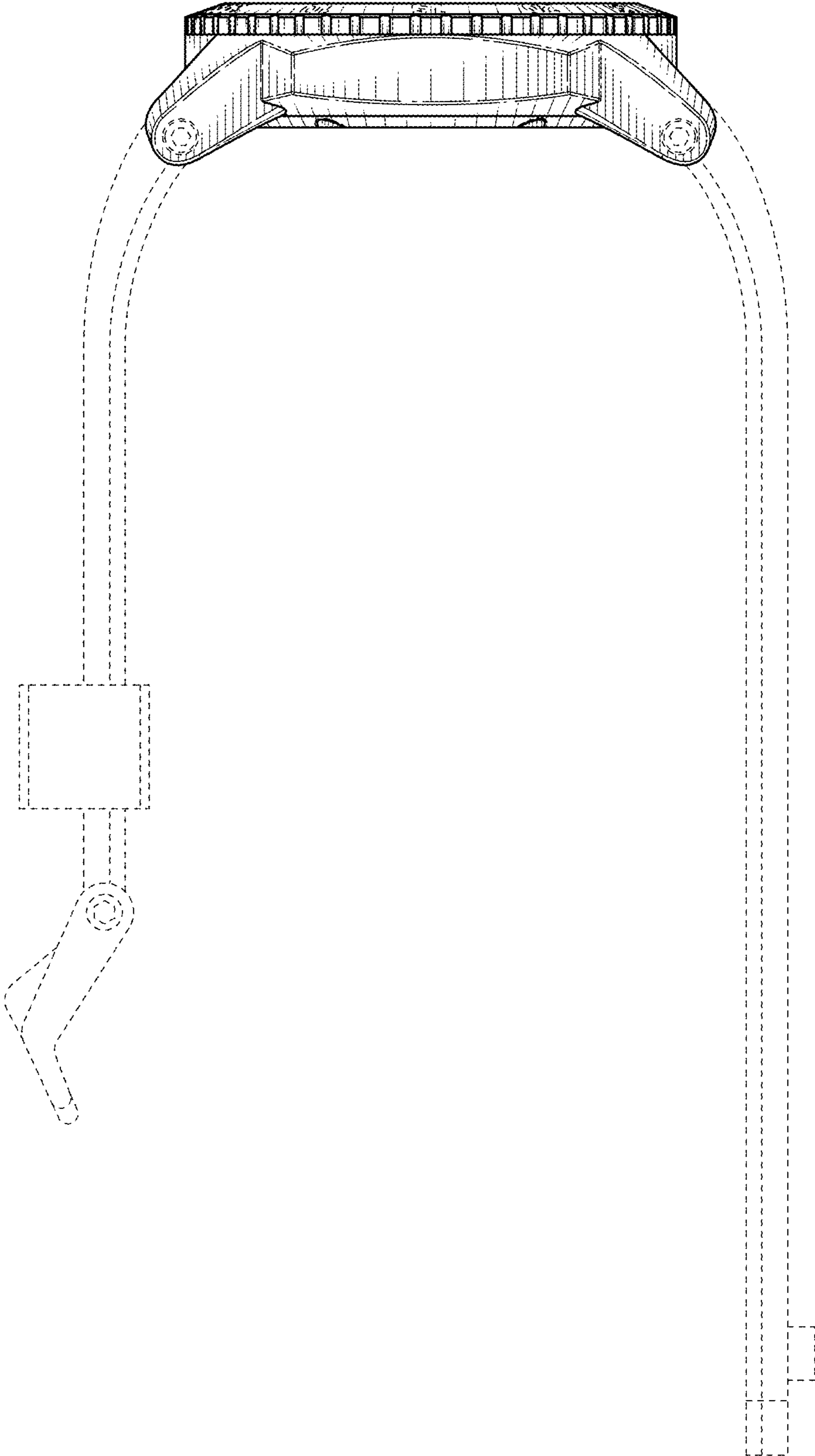


FIG. 4

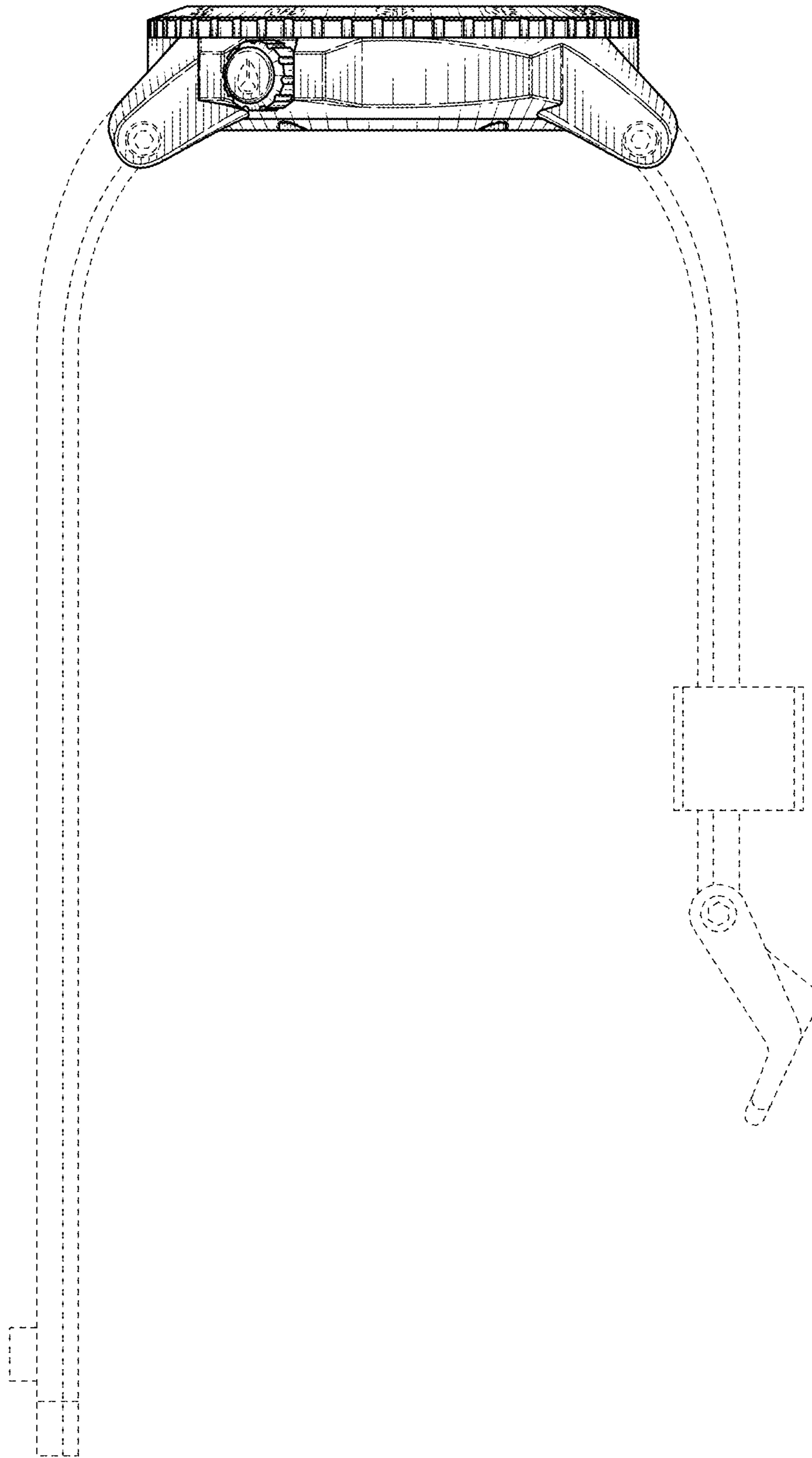


FIG. 5

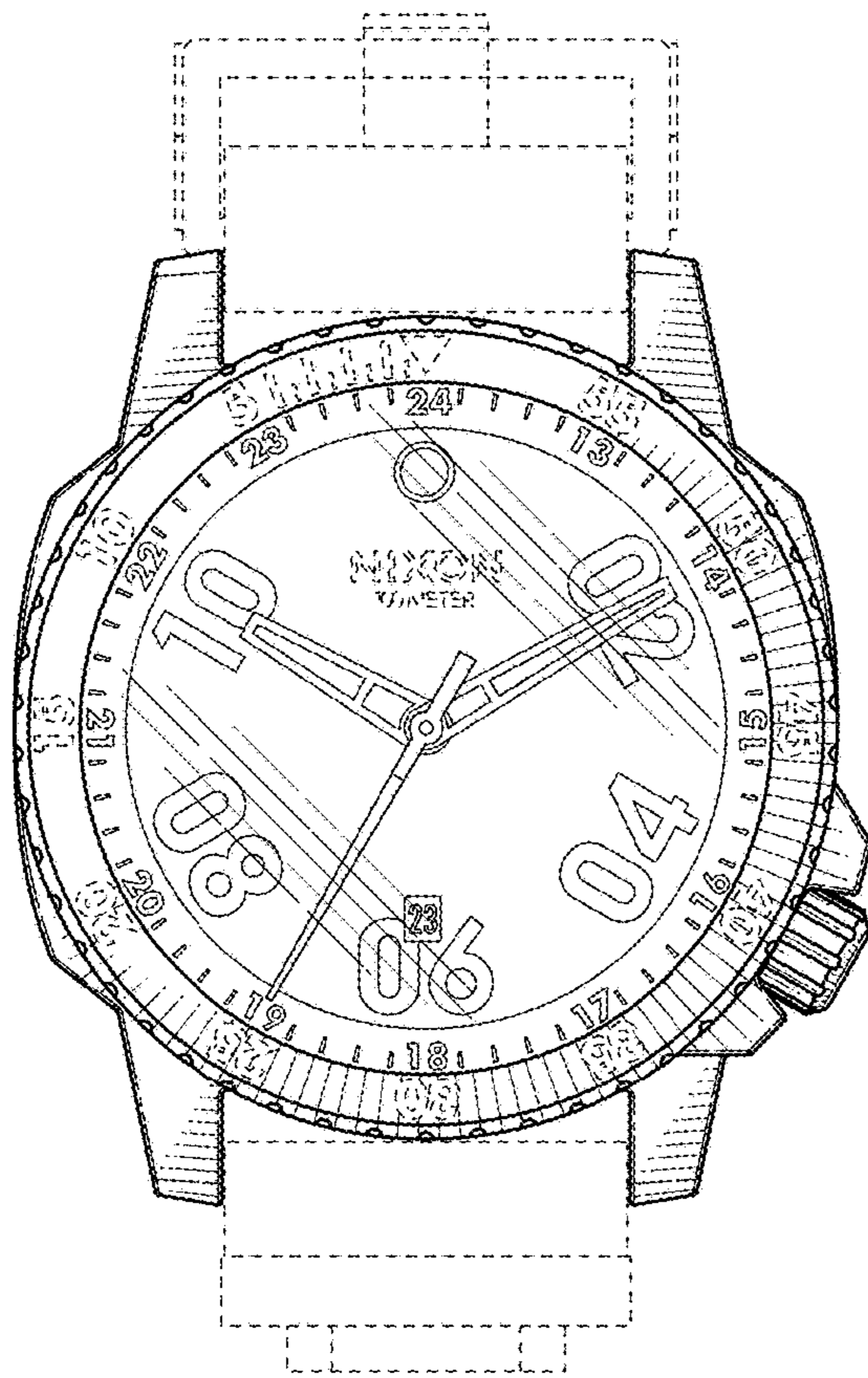


FIG. 6

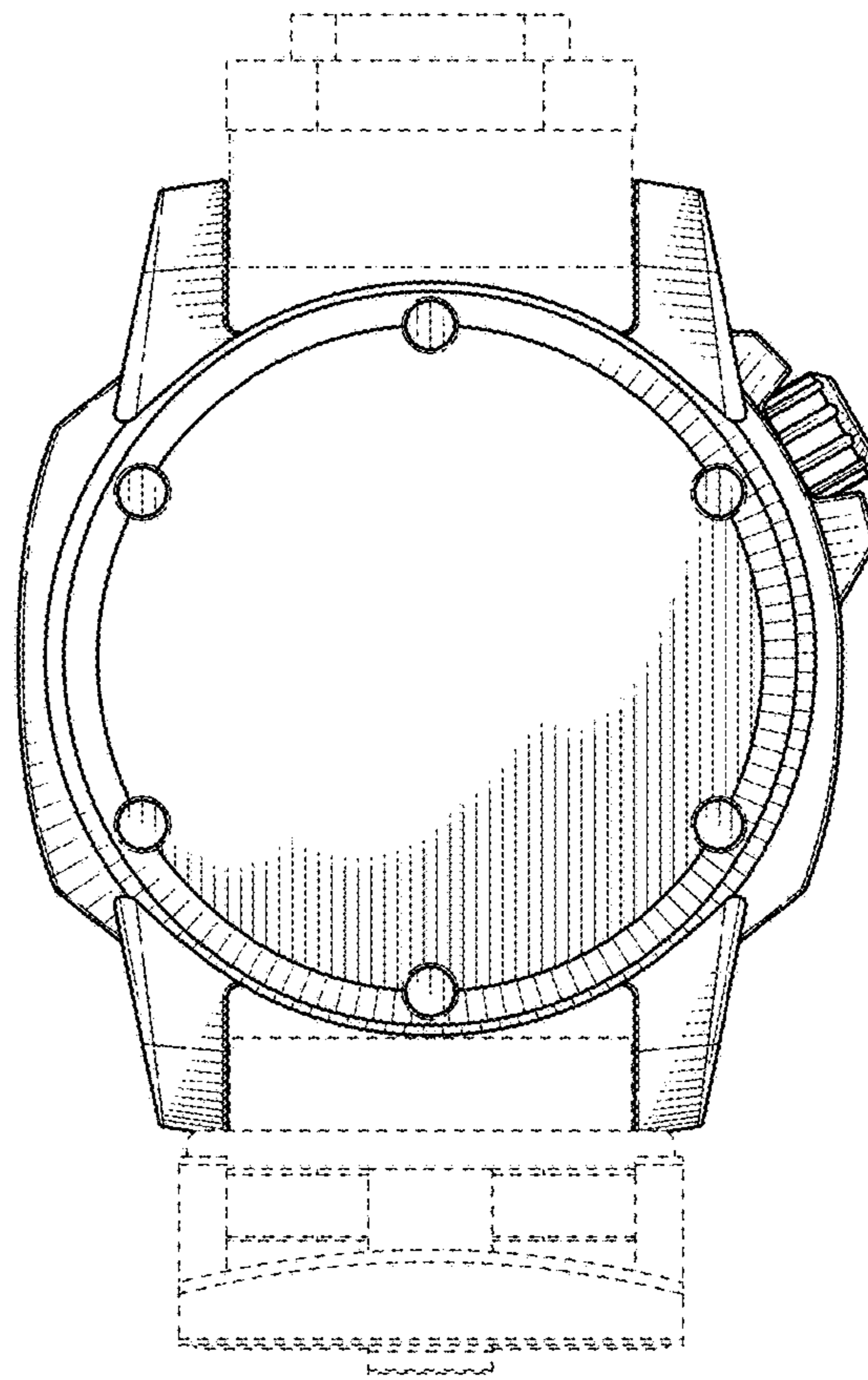


FIG. 7