



US00D809936S

(12) **United States Design Patent**  
**Yong**

(10) **Patent No.:** **US D809,936 S**

(45) **Date of Patent:** **\*\* Feb. 13, 2018**

- (54) **FOUR CUP DRINK HOLDER**
- (71) Applicant: **Thain Nam Yong**, Nibong Tebal (MY)
- (72) Inventor: **Thain Nam Yong**, Nibong Tebal (MY)
- (73) Assignee: **HZ Green Pulp Sdn. Bhd.**, Parit Buntar (MY)

- D640,571 S \* 6/2011 Landry ..... D9/755
- D671,427 S \* 11/2012 Landry ..... D9/755
- D680,449 S \* 4/2013 Breton ..... D9/455
- 8,607,984 B2 \* 12/2013 Breton ..... B65D 1/36  
206/427
- D766,663 S \* 9/2016 Bergeron ..... D7/553.1
- 9,434,287 B2 \* 9/2016 Liebowitz ..... B60N 3/103

(Continued)

(\*\*) Term: **15 Years**

(21) Appl. No.: **29/585,463**

(22) Filed: **Nov. 23, 2016**

(51) **LOC (11) Cl.** ..... **09-03**

(52) **U.S. Cl.**  
USPC ..... **D9/755**

(58) **Field of Classification Search**  
USPC ..... D9/755, 425, 428, 420, 432, 455, 424,  
D9/737; D7/553.1, 553.2, 553.3;  
220/23.8, 507; 206/592, 557, 564, 433,  
206/203, 427, 521, 521.1; 229/407, 904,  
229/902, 406; 294/143, 159, 144, 172  
CPC ..... B65D 1/36; B65D 71/70; A47G 23/06;  
D21J 3/00

See application file for complete search history.

(56) **References Cited**

**U.S. PATENT DOCUMENTS**

- D279,259 S \* 6/1985 Bixler ..... D9/755
- D289,010 S \* 3/1987 Vigue ..... D9/427
- D331,008 S \* 11/1992 Vigue ..... D7/553.3
- D384,275 S \* 9/1997 DuBois ..... D7/553.1
- 5,713,619 A \* 2/1998 DuBois ..... A47G 23/06  
206/519
- D436,853 S \* 1/2001 Sussman ..... D9/755
- D438,100 S \* 2/2001 Cekota ..... D9/755
- 7,225,927 B2 \* 6/2007 Sweeney ..... B65D 1/36  
206/564
- D614,047 S \* 4/2010 Landry ..... D9/755
- D640,570 S \* 6/2011 Landry ..... D9/755

**OTHER PUBLICATIONS**

Huhtamaki 4 Cup Carrier (via amazon.com), available Feb. 28, 2016, [online], [site visited Sep. 28, 2017]. Available from internet, <URL: <https://www.amazon.com/Huhtamaki-20972-Capacity-Carrier-Molded/dp/B004NG8WWK> (Year: 2016).\*

(Continued)

*Primary Examiner* — Cathron C Brooks

*Assistant Examiner* — W. A. Teddy Falloway

(74) *Attorney, Agent, or Firm* — Preston Smirman;  
Smirman IP Law, PLLC

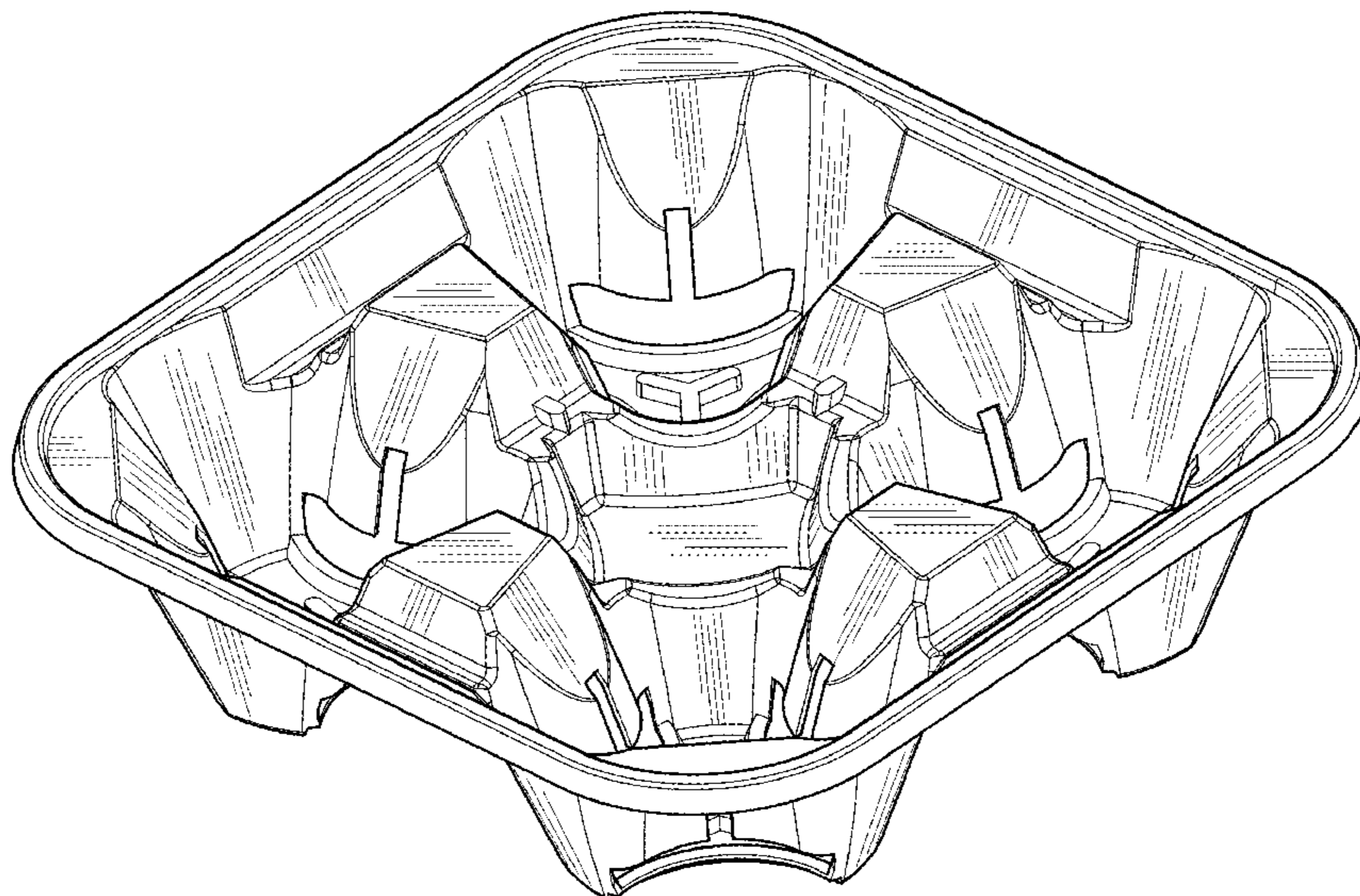
(57) **CLAIM**

I claim the ornamental design for a four cup drink holder, as shown and described.

**DESCRIPTION**

FIG. 1 is a top perspective view of my design for a four cup drink holder;  
FIG. 2 is a bottom perspective view of my design for a four cup drink holder;  
FIG. 3 is a top plan view of my design for a four cup drink holder;  
FIG. 4 is a left side view of my design for a four cup drink holder;  
FIG. 5 is a right side view of my design for a four cup drink holder; and,  
FIG. 6 is a bottom plan view of my design for a four cup drink holder.

**1 Claim, 4 Drawing Sheets**



(56)

**References Cited**

U.S. PATENT DOCUMENTS

2005/0012009 A1\* 1/2005 Sweeney ..... B65D 1/36  
 248/311.2  
 2009/0211937 A1\* 8/2009 Sharma ..... E06B 9/581  
 206/515  
 2011/0120995 A1\* 5/2011 Landry ..... B65D 1/36  
 220/23.8  
 2011/0259785 A1\* 10/2011 Veenje ..... B65D 1/36  
 206/564  
 2011/0278187 A1\* 11/2011 Yang ..... B65D 71/70  
 206/427  
 2012/0012500 A1\* 1/2012 Breton ..... B65D 1/36  
 206/563

OTHER PUBLICATIONS

Southern Champion 4 Cup Drink Carrier (via amazon.com), available Jul. 24, 2012, [online], [site visited Sep. 28, 2017]. Available from internet, <URL: [https://www.amazon.com/Southern-Champion-Tray-18950-ChampWare/dp/B008WCVPB6/ref=pd\\_sim\\_328\\_1?encoding=UTF8&psc=1&refRID=CXB05FNHSJ4SJ34ZH63J](https://www.amazon.com/Southern-Champion-Tray-18950-ChampWare/dp/B008WCVPB6/ref=pd_sim_328_1?encoding=UTF8&psc=1&refRID=CXB05FNHSJ4SJ34ZH63J) (Year: 2012).\*

Black Cat Avenue 4 Cup Drink Carrier (via amazon.com), available Sep. 28, 2017, [online], [site visited Sep. 28, 2017]. Available from internet, <URL: [https://www.amazon.com/Black-Cat-Avenue-Biodegradable-Carrier/dp/B071JK4X4W/ref=pd\\_sbs\\_328\\_7?encoding=UTF8&psc=1&refRID=KHKGDSA6A8YCS100DMJ7](https://www.amazon.com/Black-Cat-Avenue-Biodegradable-Carrier/dp/B071JK4X4W/ref=pd_sbs_328_7?encoding=UTF8&psc=1&refRID=KHKGDSA6A8YCS100DMJ7) (Year: 2017).\*

\* cited by examiner

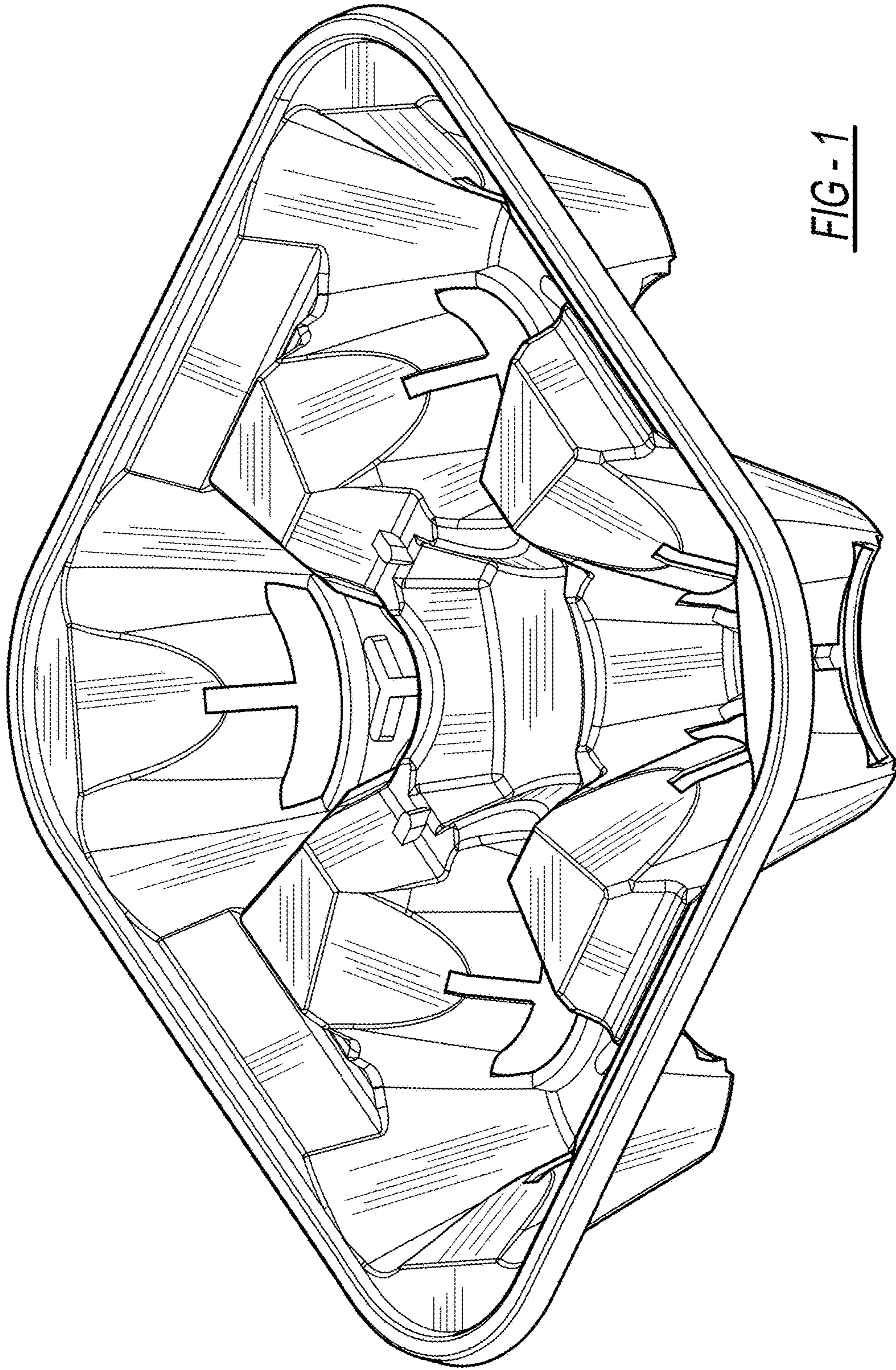


FIG-1

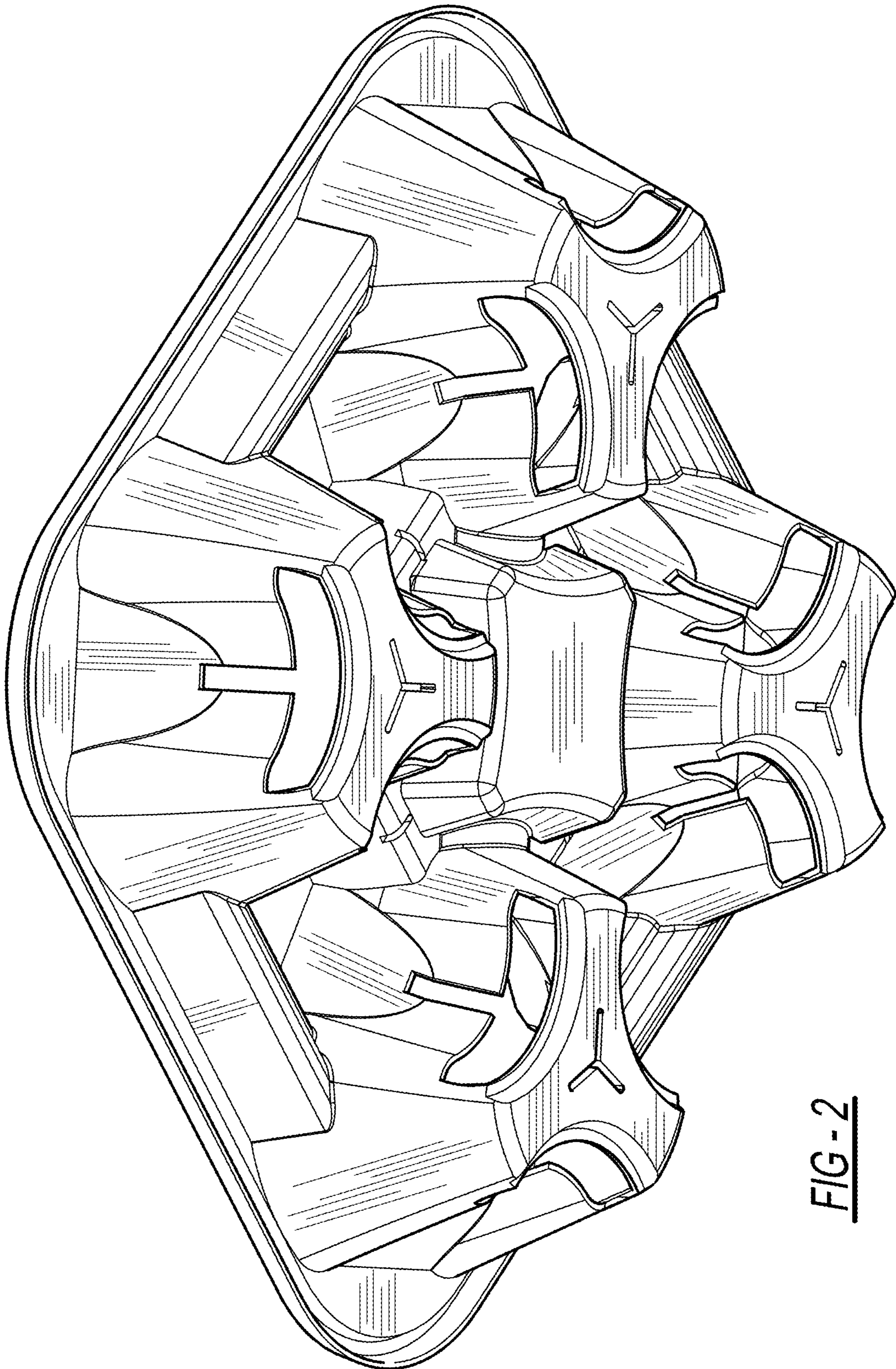


FIG-2

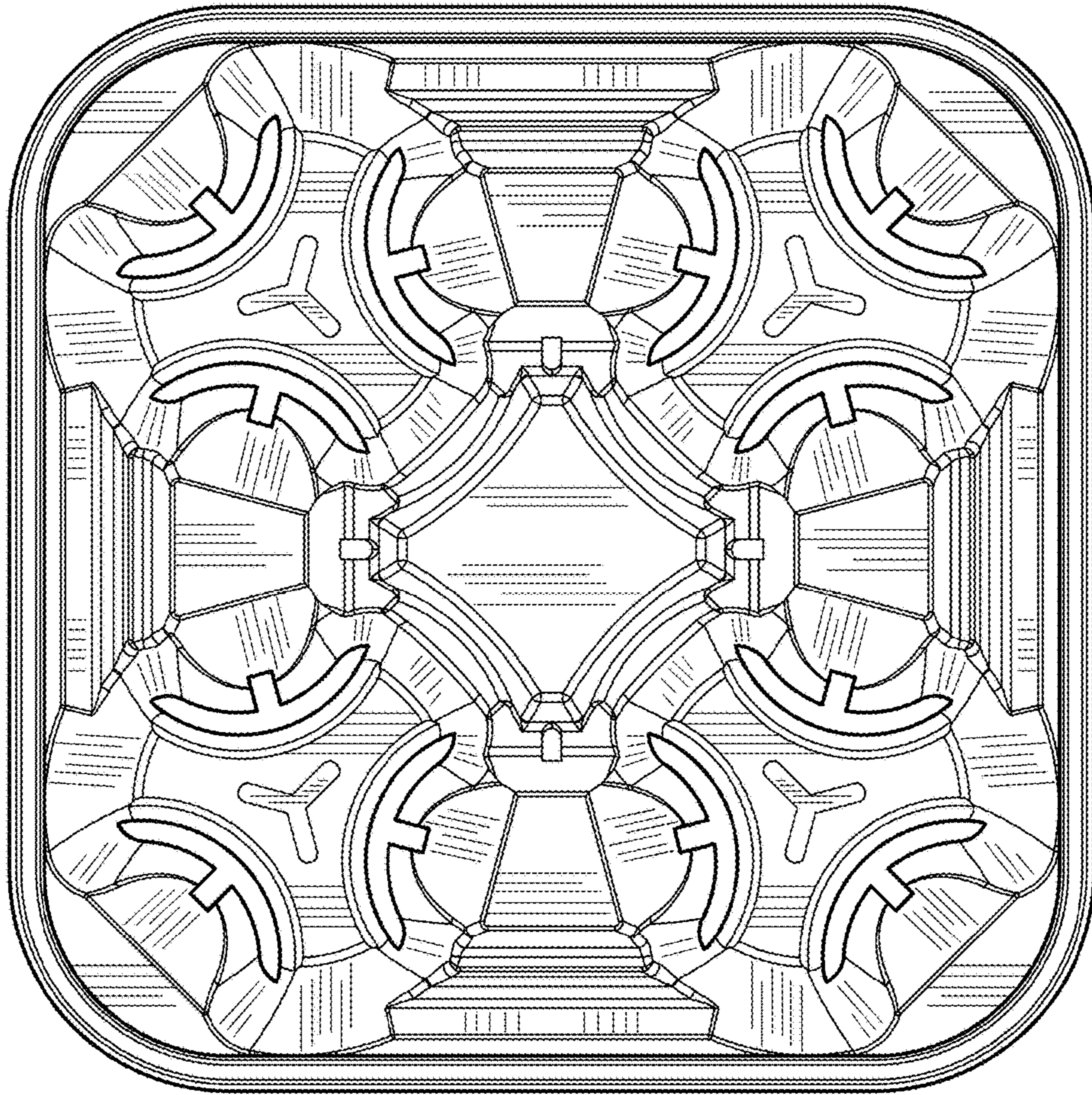


FIG - 3

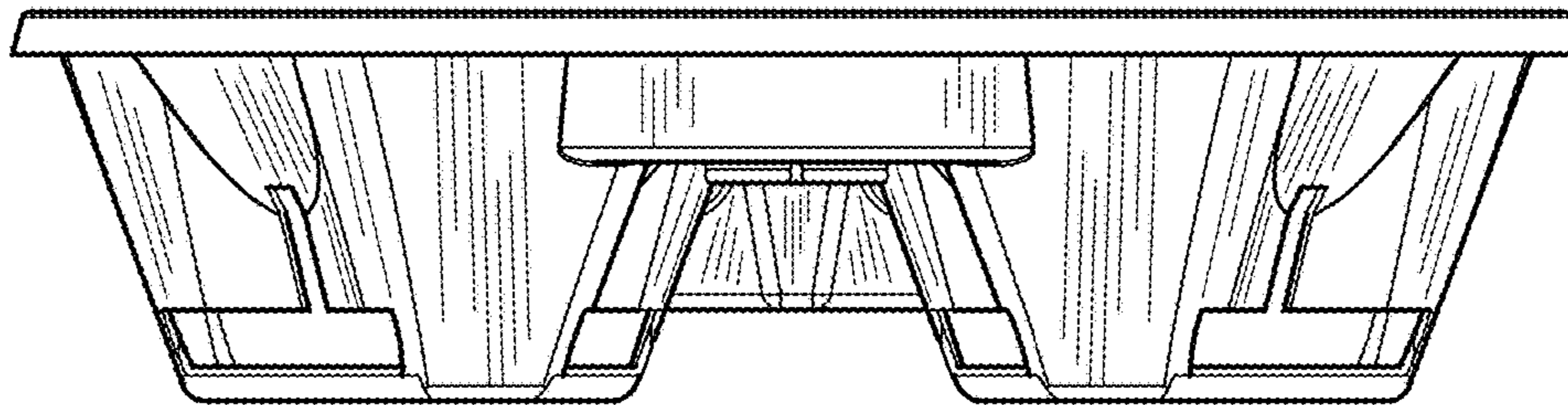


FIG - 4

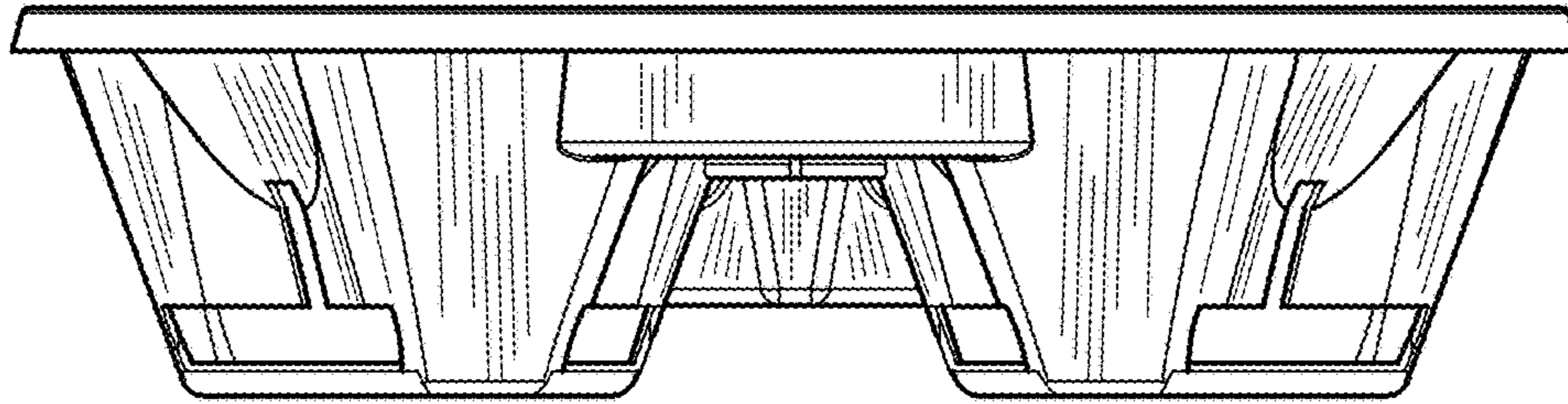


FIG - 5

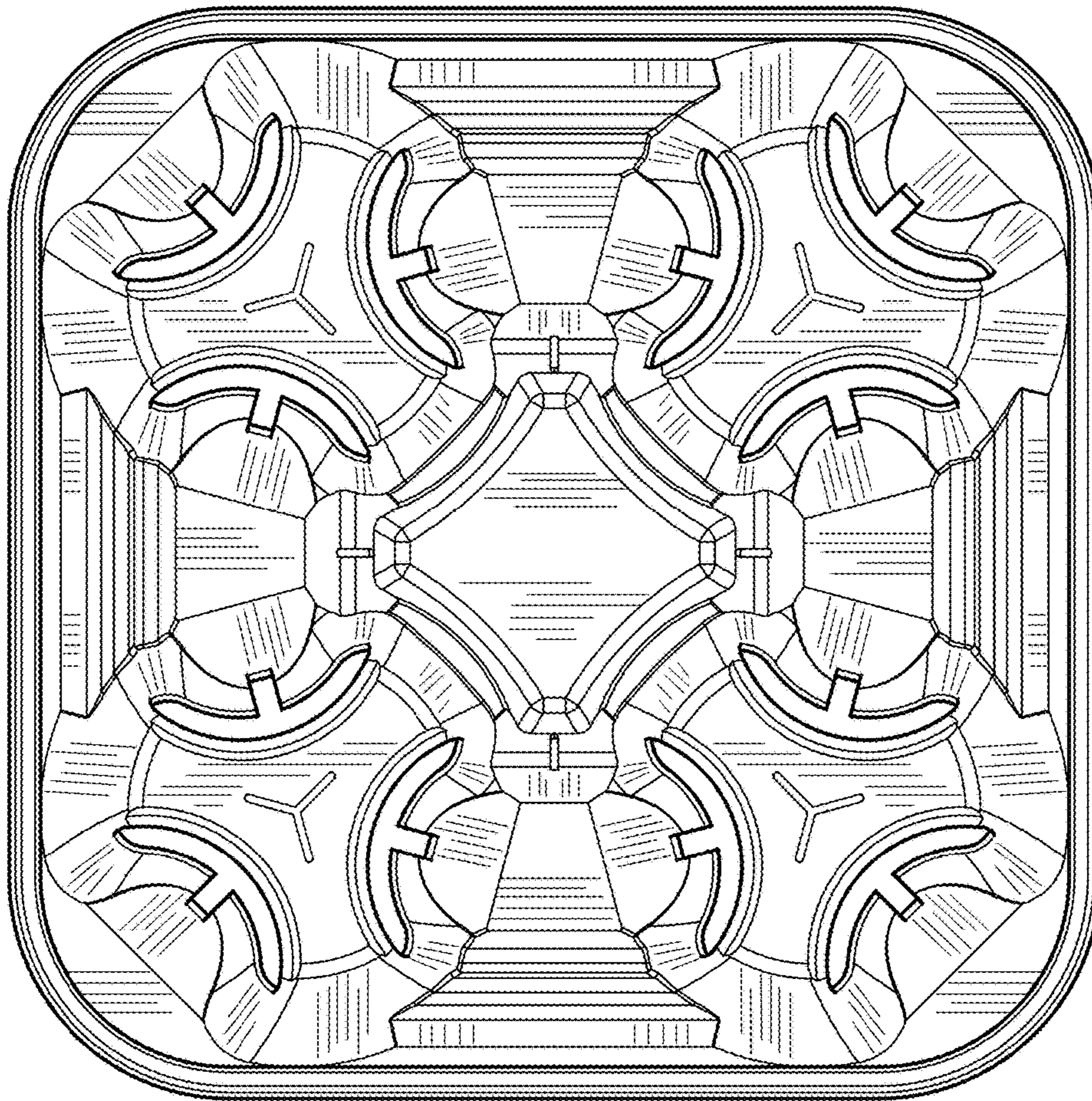


FIG - 6